



US00D547173S

(12) **United States Design Patent**
Olney

(10) **Patent No.:** **US D547,173 S**

(45) **Date of Patent:** **** Jul. 24, 2007**

(54) **CLIP FOR A SLIDING DOOR**

(75) Inventor: **John Olney**, New Carlisle, IN (US)

(73) Assignee: **B & B Molders LLC**, Mishawaka, IN (US)

(**) Term: **14 Years**

(21) Appl. No.: **29/263,039**

(22) Filed: **Jul. 14, 2006**

(51) **LOC (8) Cl.** **08-09**

(52) **U.S. Cl.** **D8/400**

(58) **Field of Classification Search** D8/382,
D8/403, 354, 395, 394, 301; 403/203, 403,
403/405.1, 292; 439/66, 75; D13/139.2;
D23/395; 49/468; D9/456; 206/585-588;
52/207

See application file for complete search history.

(56) **References Cited**

U.S. PATENT DOCUMENTS

1,441,559	A	*	1/1923	Burhen	403/205
D253,031	S	*	10/1979	Gidseg	D8/301
D256,663	S	*	9/1980	Gilb	D8/354
D265,051	S	*	6/1982	Hentzschel et al.	D8/354
D273,560	S	*	4/1984	Akabane	D8/373
D379,299	S	*	5/1997	Fitzgibbons	D8/402

D383,380	S	*	9/1997	Kempf et al.	D8/395
D391,149	S	*	2/1998	Gonzales	D8/388
D404,806	S	*	1/1999	Callahan	D23/304
D417,608	S	*	12/1999	Martin	D8/373
D492,889	S	*	7/2004	Craine	D8/354

* cited by examiner

Primary Examiner—Alan P. Douglas

Assistant Examiner—Barbara Fox

(74) *Attorney, Agent, or Firm*—Barnes & Thornburg LLP;
Thomas J. Donovan

(57) **CLAIM**

The ornamental design for a clip for a sliding door, as shown and described.

DESCRIPTION

FIG. 1 is a top perspective view of a clip for a sliding door; FIG. 2 is a bottom perspective view of a clip for a sliding door;

FIG. 3 is a bottom plan view of a clip for a sliding door;

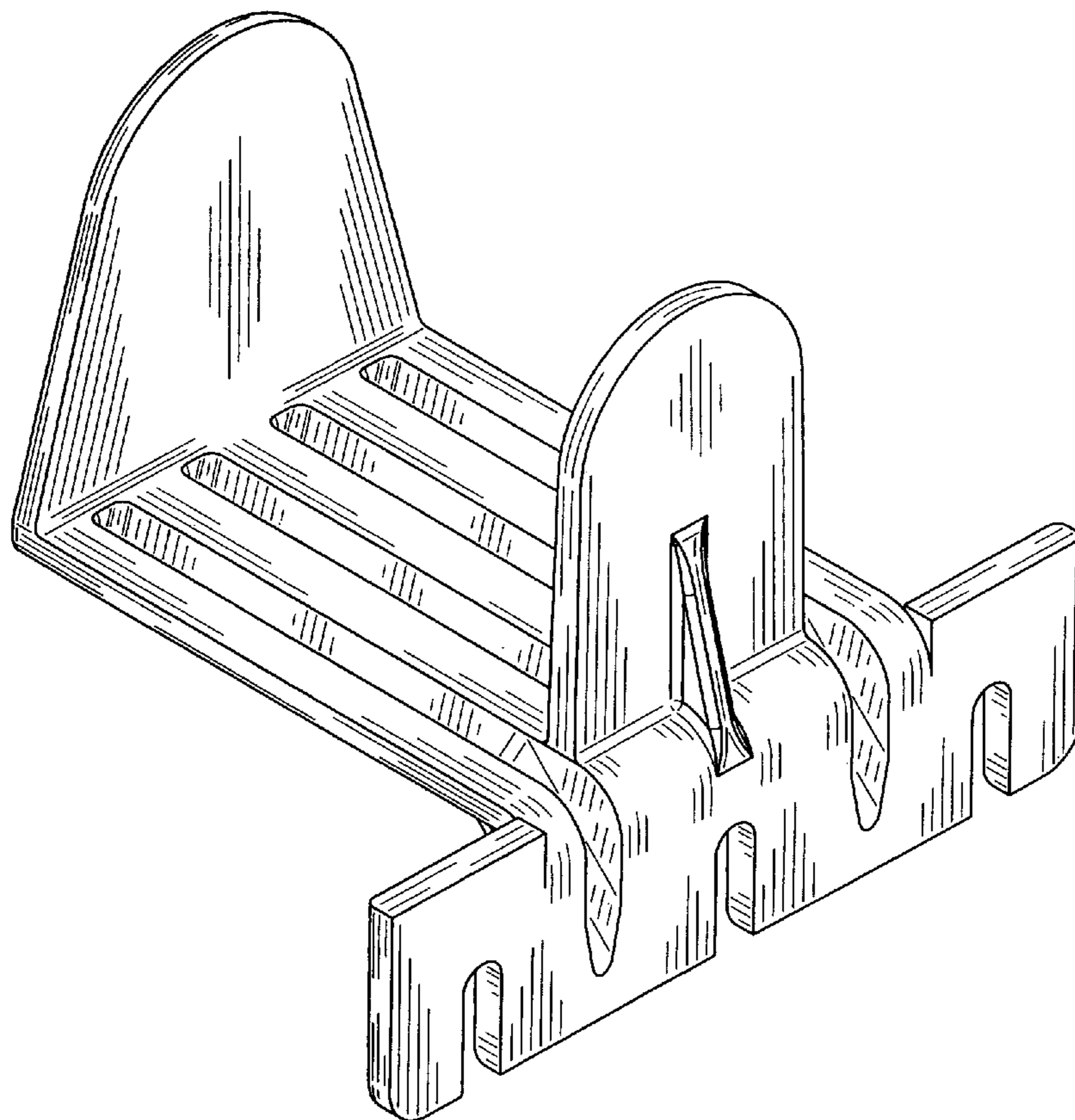
FIG. 4 is a front view of a clip for a sliding door;

FIG. 5 is a rear view of a clip for a sliding door;

FIG. 6 is a side view of a clip for a sliding door; and,

FIG. 7 is a top plan view of a clip for a sliding door.

1 Claim, 6 Drawing Sheets



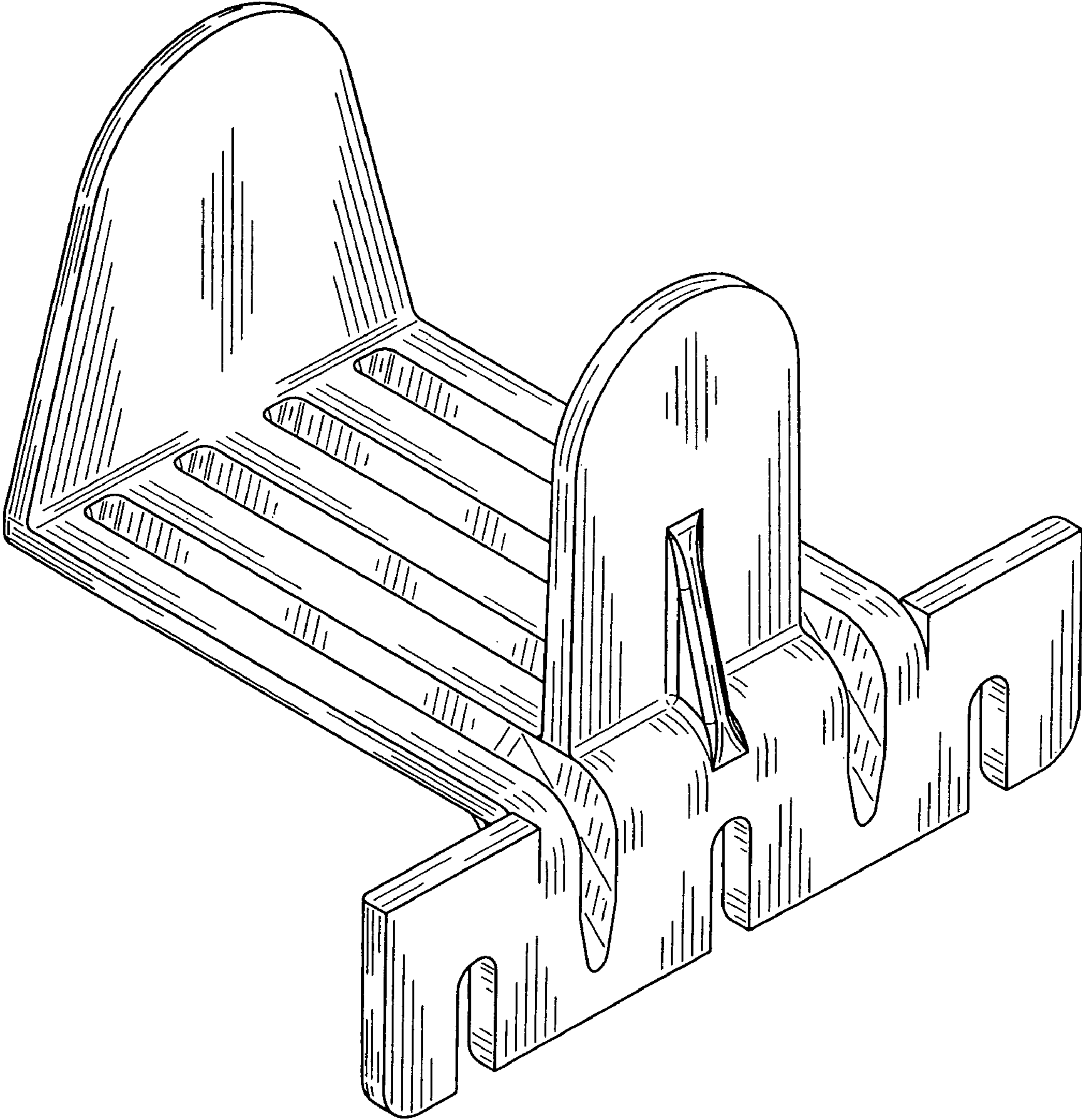


FIGURE 1

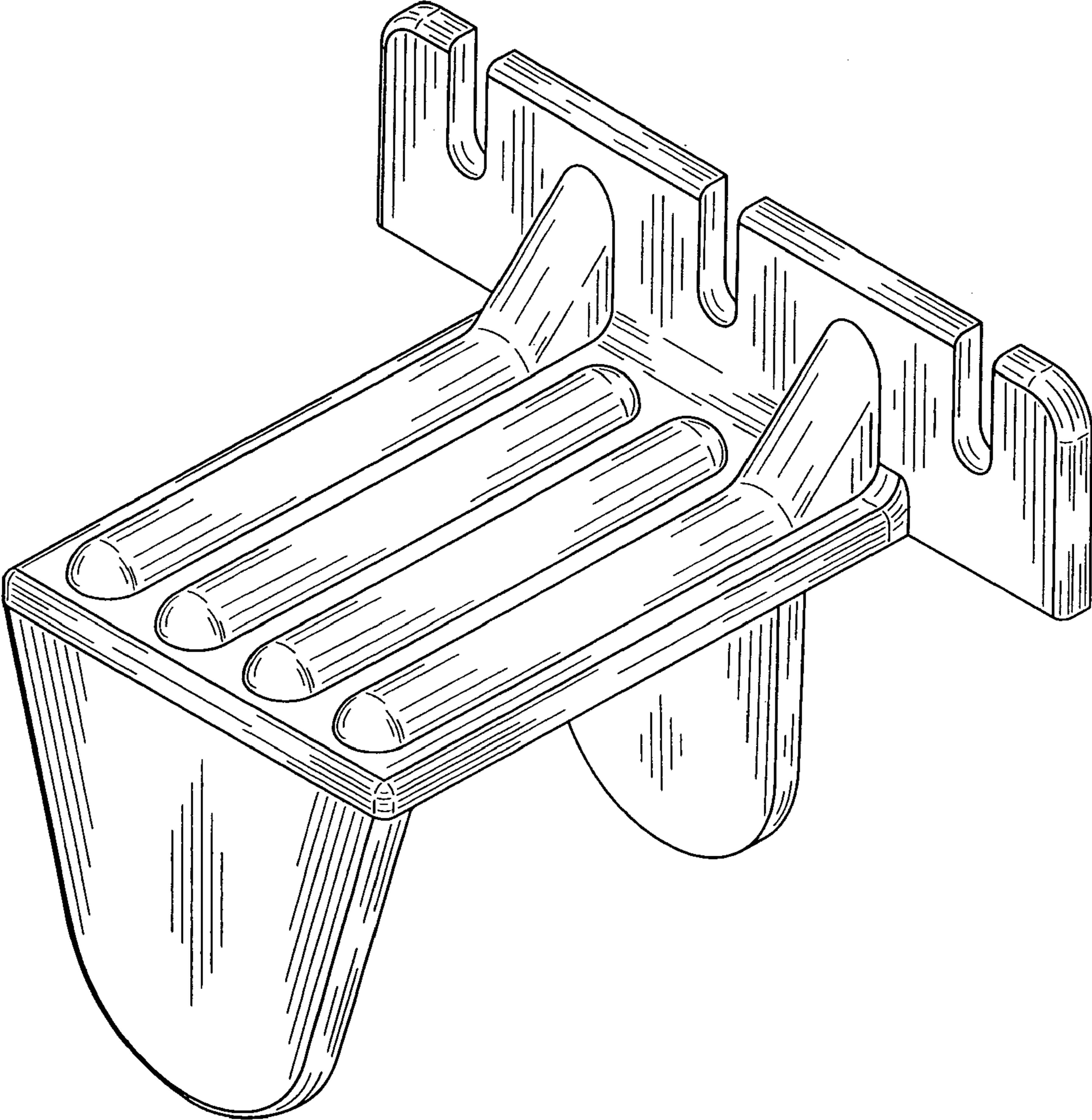


FIGURE 2

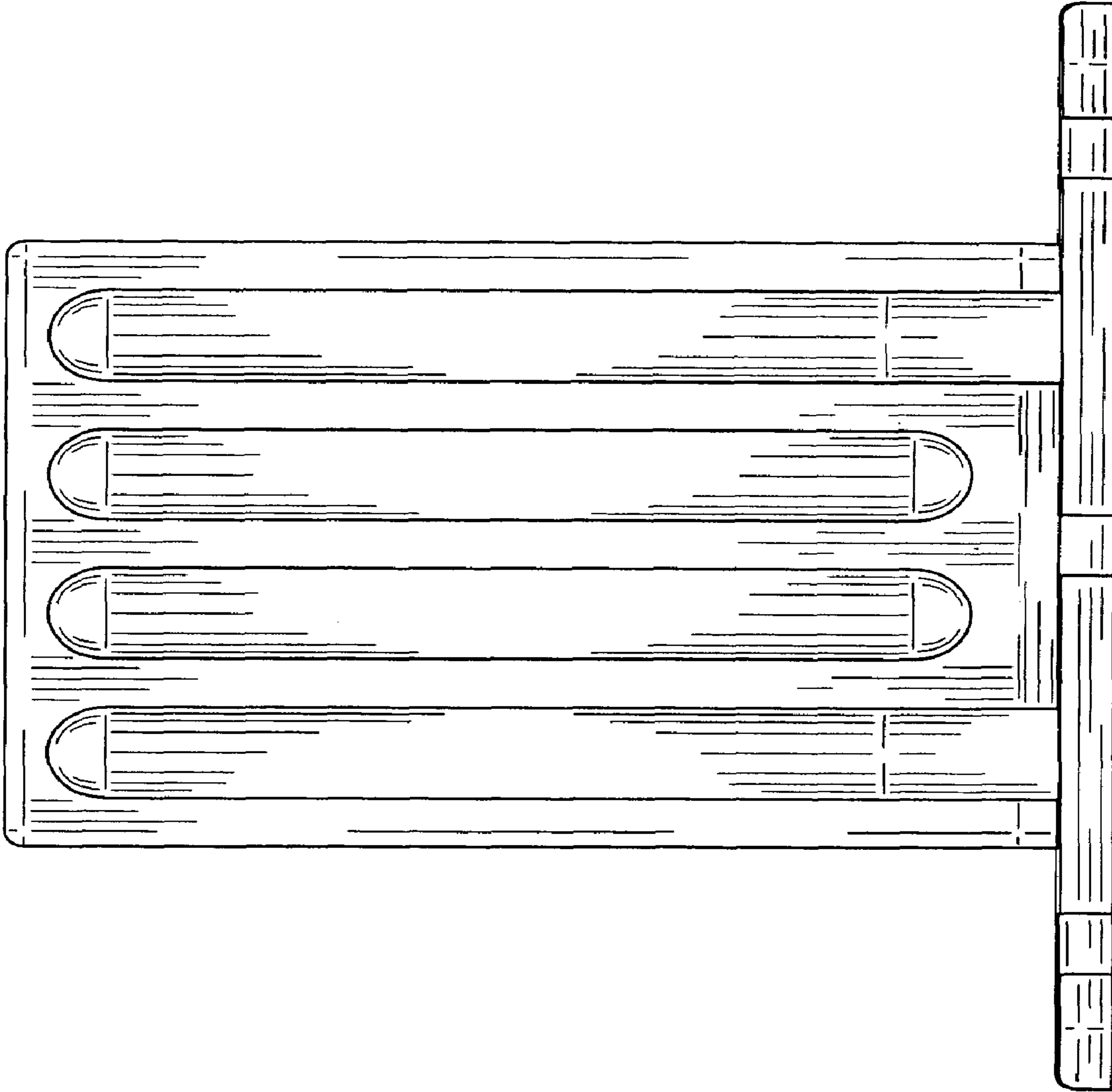


FIGURE 3

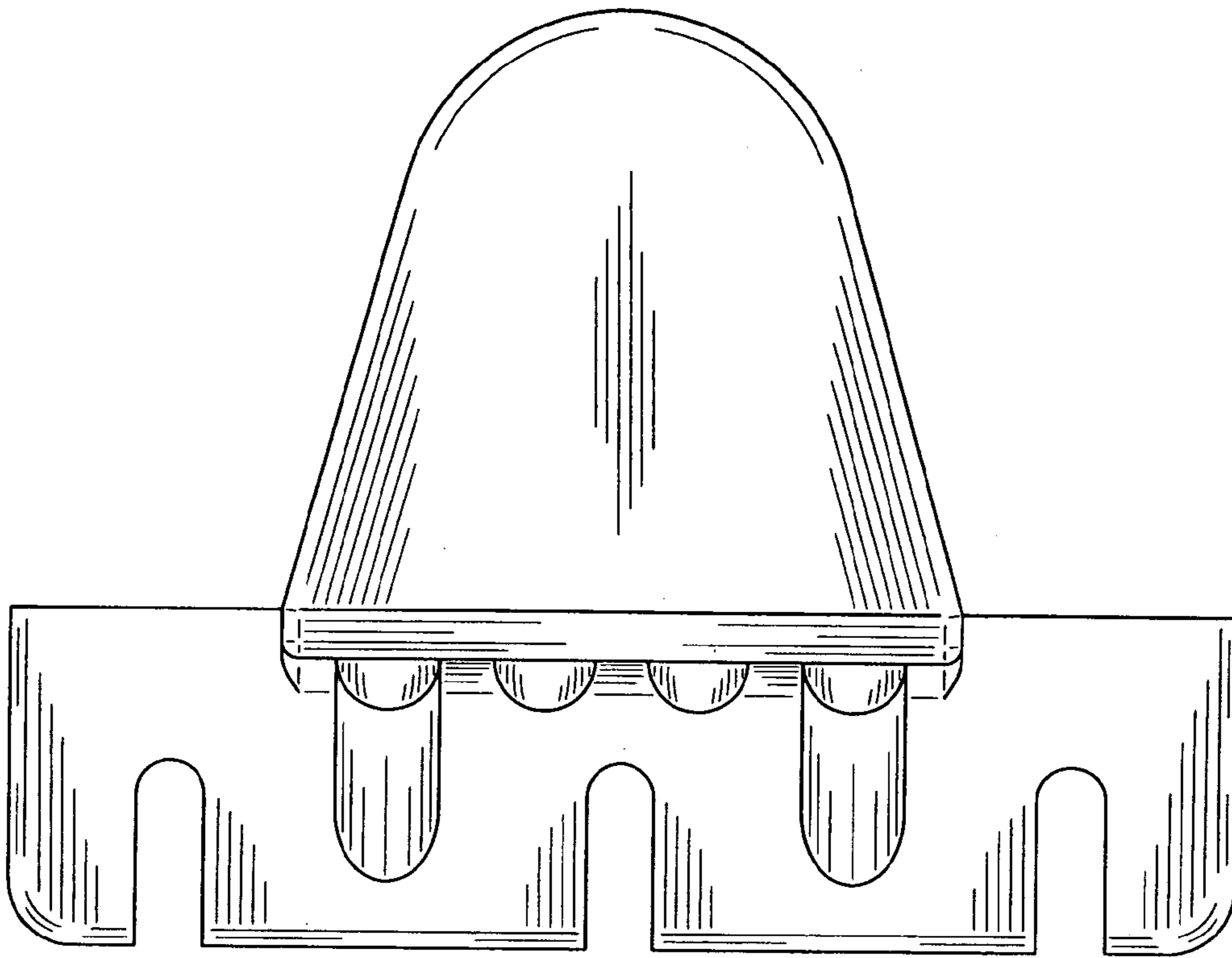


FIGURE 4

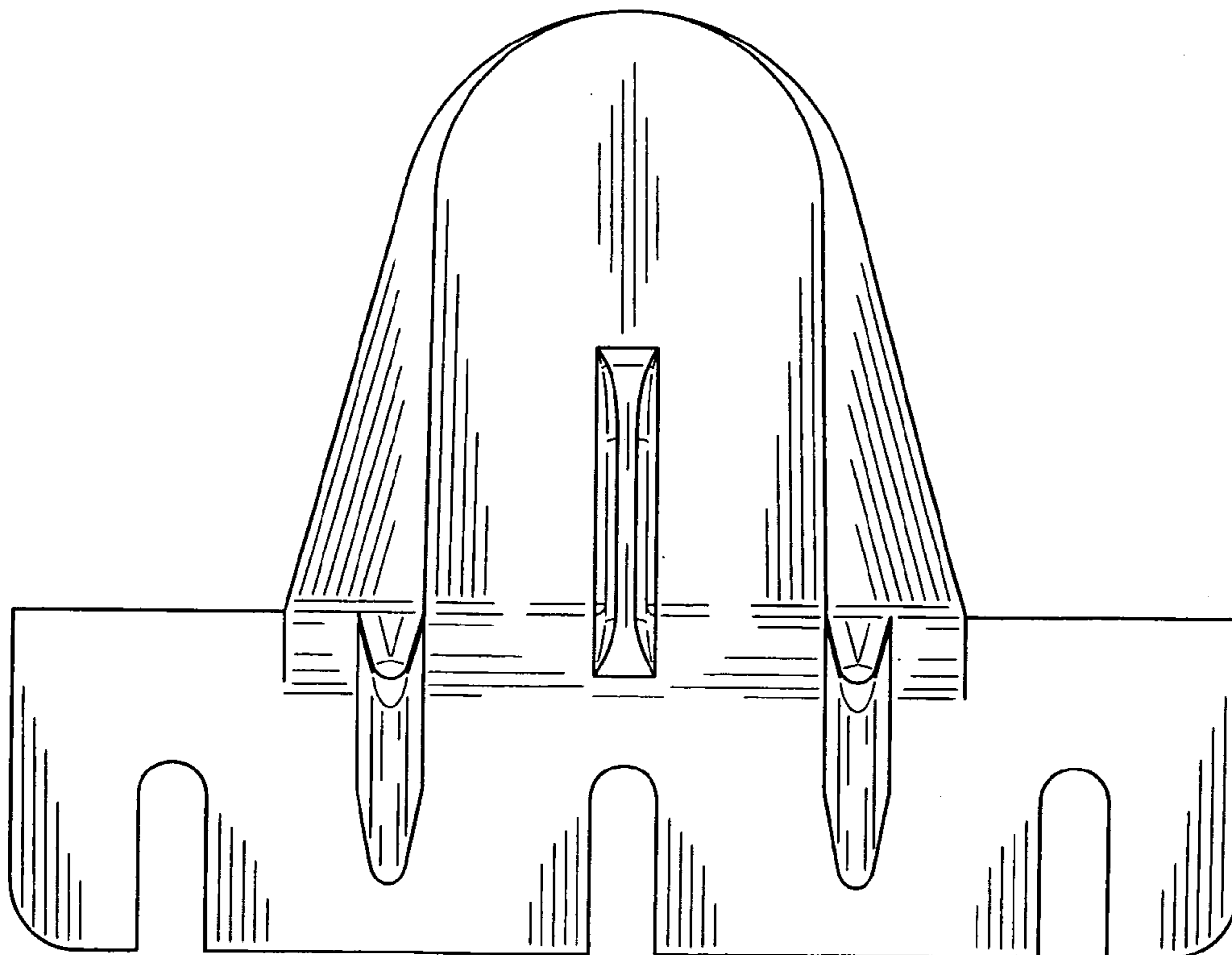


FIGURE 5

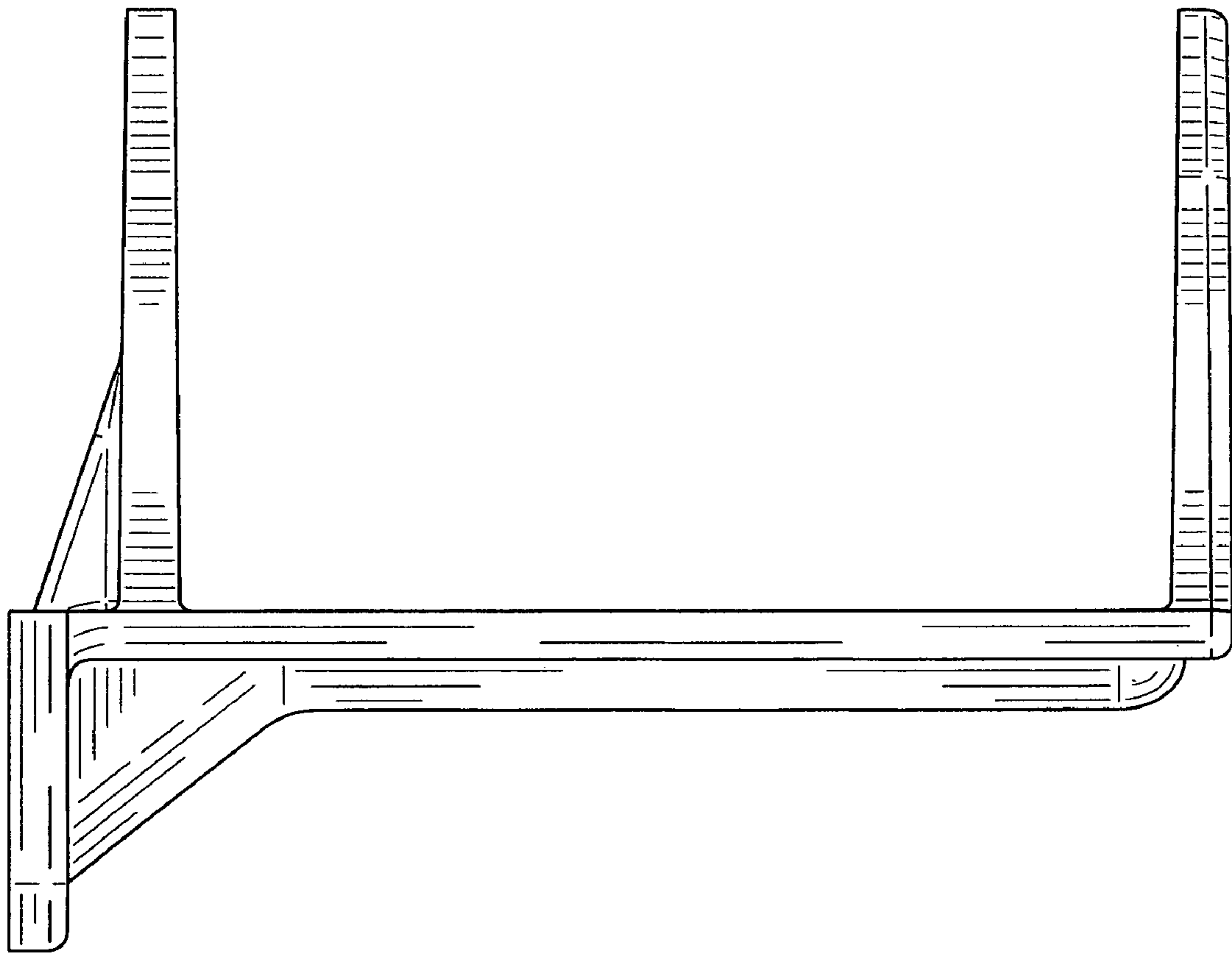


FIGURE 6

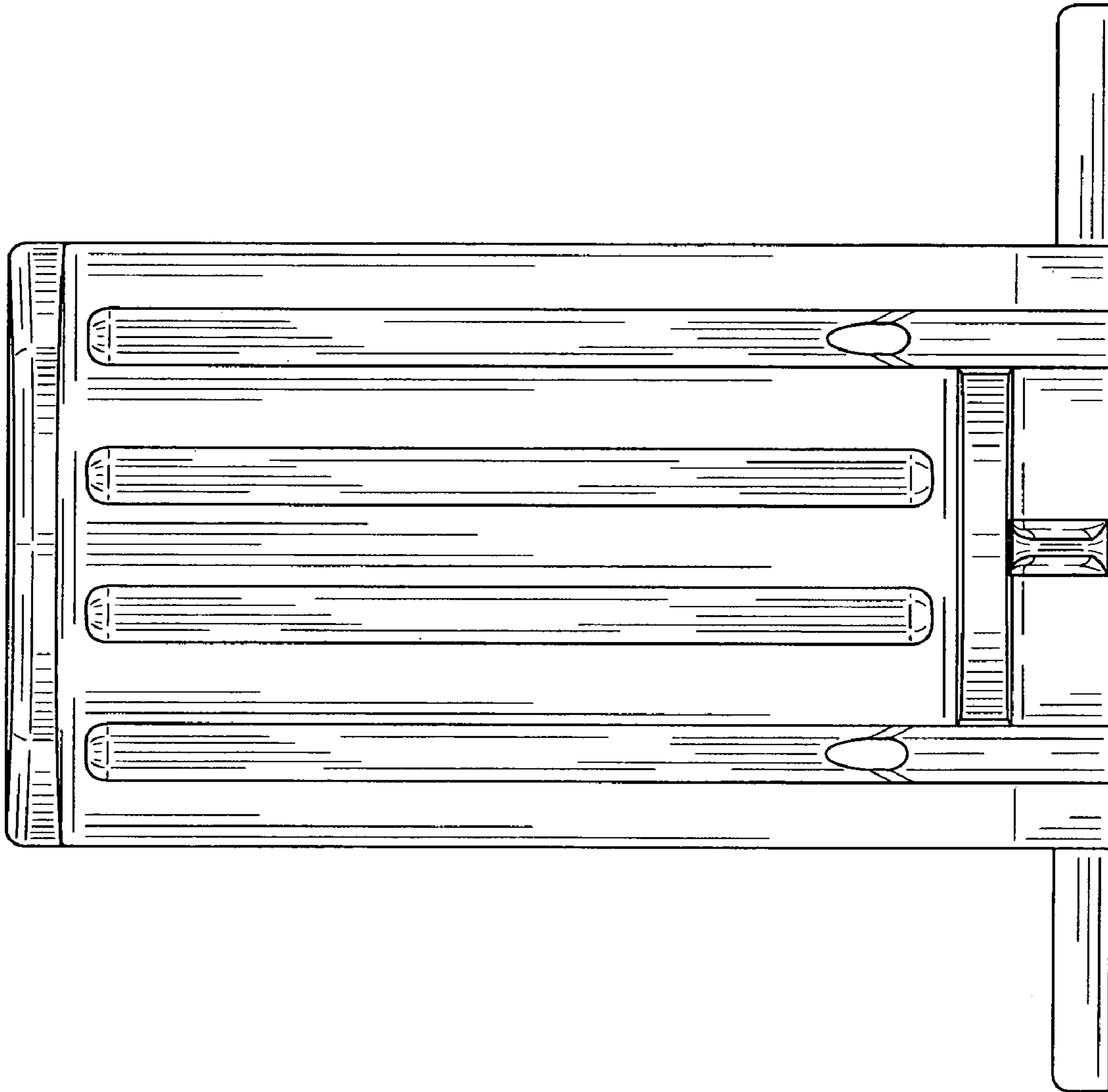


FIGURE 7