



US00D547172S

(12) **United States Design Patent**
Kent et al.

(10) **Patent No.:** **US D547,172 S**

(45) **Date of Patent:** **** Jul. 24, 2007**

- (54) **PROTECTIVE CAP**
- (75) Inventors: **Brian Kent**, Tauranga (NZ); **Amtony W. Arnold**, Tauranga (NZ)
- (73) Assignee: **Marine and Industrial Enterprises, Ltd**, Tauranga (NZ)
- (**) Term: **14 Years**
- (21) Appl. No.: **29/255,531**
- (22) Filed: **Mar. 9, 2006**
- (51) **LOC (8) Cl.** **08-08**
- (52) **U.S. Cl.** **D8/397**
- (58) **Field of Classification Search** D8/382, D8/387, 397, 398, 399; 411/81, 88, 90-93, 411/96-98, 103, 114, 106-108, 132-165, 411/172-189, 197, 204, 248, 337, 338, 366.1, 411/366.2, 366.3, 368-369, 371.2, 371.5, 411/418, 427, 429-432, 436, 437, 526, 531-538, 411/542, 544; 70/229; 301/35.623, 111.01; D9/452-554; D23/260
See application file for complete search history.

- 5,857,818 A * 1/1999 Bias, Sr. 411/431
- D422,255 S * 4/2000 Gonzales D12/197
- 6,196,637 B1 * 3/2001 Hou et al. 301/37.375
- D443,040 S * 5/2001 Fabian et al. D23/260
- D450,290 S * 11/2001 Schardt D12/213
- D461,001 S * 7/2002 Hensley et al. D23/260
- D481,299 S * 10/2003 Fujioka D8/382
- D488,397 S * 4/2004 Morelock D10/68
- 6,860,692 B2 * 3/2005 Van Ingen et al. 411/431
- D503,667 S * 4/2005 Keefer et al. D12/197
- D512,674 S * 12/2005 Bruni D12/197
- D521,382 S * 5/2006 Gross et al. D9/452
- D530,205 S * 10/2006 Lohrman D9/453
- D537,768 S * 3/2007 McMath D12/213
- 2005/0254920 A1 * 11/2005 Baughman 411/372.5

* cited by examiner

Primary Examiner—T. Chase Nelson
Assistant Examiner—Karen Acker
(74) *Attorney, Agent, or Firm*—Klein, O'Neill & Singh, LLP; James G. O'Neill

(57) **CLAIM**

The ornamental design for protective cap, as shown and described.

DESCRIPTION

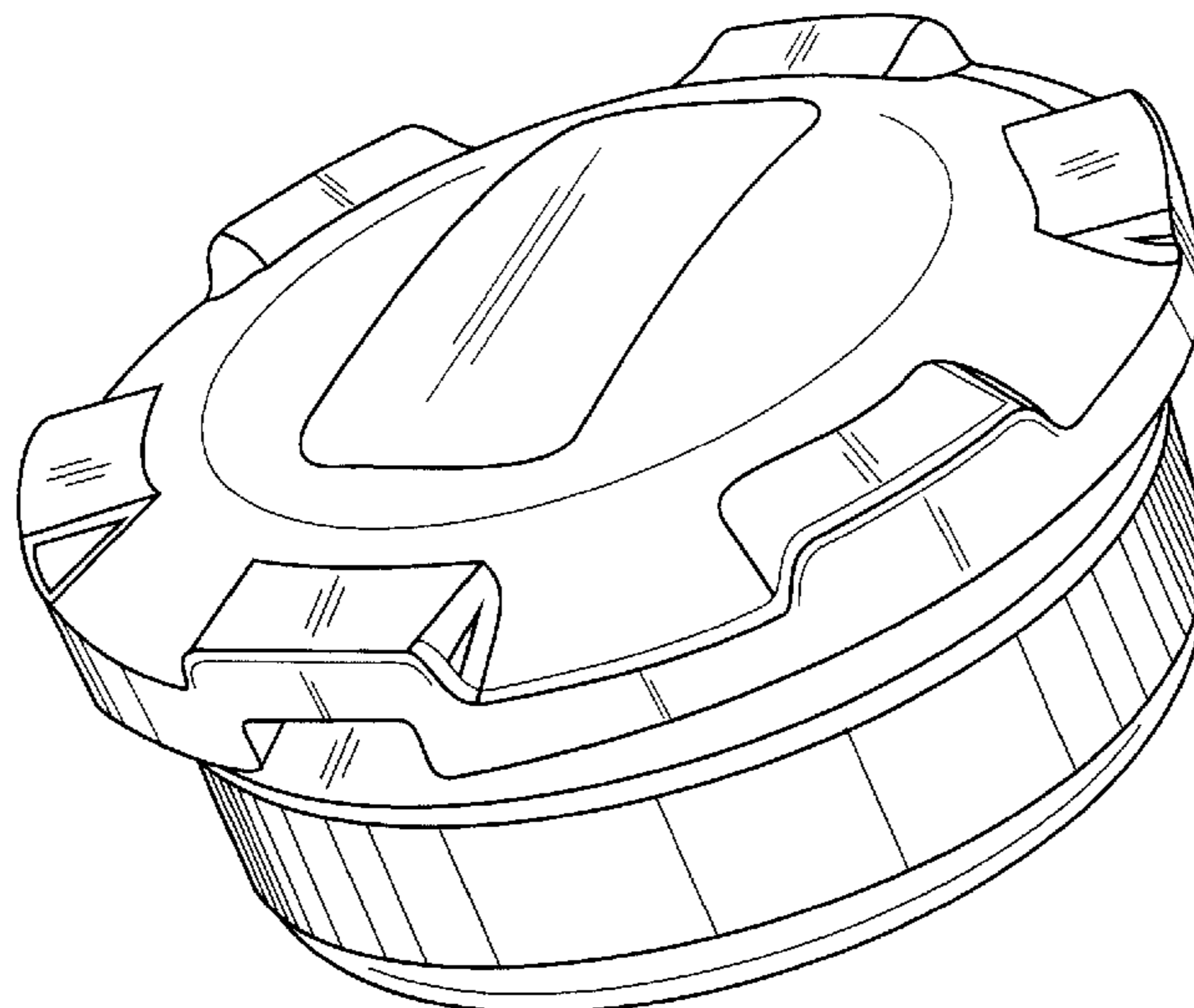
FIG. 1 is a perspective view, looking at the top, showing our new design;
FIG. 2 is a further perspective view, turned 90° from that of FIG. 1, looking from the bottom, thereof;
FIG. 3 is a left side perspective view thereof; the right side being a mirror image thereof;
FIG. 4 is a bottom plan view thereof;
FIG. 5 is a top plan view thereof; and,
FIG. 6 is a front perspective view thereof; the rear view being a mirror image thereof.

1 Claim, 4 Drawing Sheets

(56) **References Cited**

U.S. PATENT DOCUMENTS

- D281,953 S * 12/1985 Newman D8/397
- D284,266 S * 6/1986 Resan D8/382
- D300,129 S * 3/1989 Whitley, II D12/197
- 4,875,594 A * 10/1989 Ochs 215/252
- D311,056 S * 10/1990 Patterson D23/260
- D321,164 S * 10/1991 Gibson D12/213
- D341,016 S * 11/1993 Wada et al. D34/35
- D347,263 S * 5/1994 Phillips D23/231
- D347,920 S * 6/1994 Sell D34/35
- 5,340,251 A * 8/1994 Takahashi et al. 411/179
- D353,444 S * 12/1994 Merrett D23/260
- 5,584,537 A * 12/1996 Miansian 301/35.63
- D380,668 S * 7/1997 Nakamura D8/387



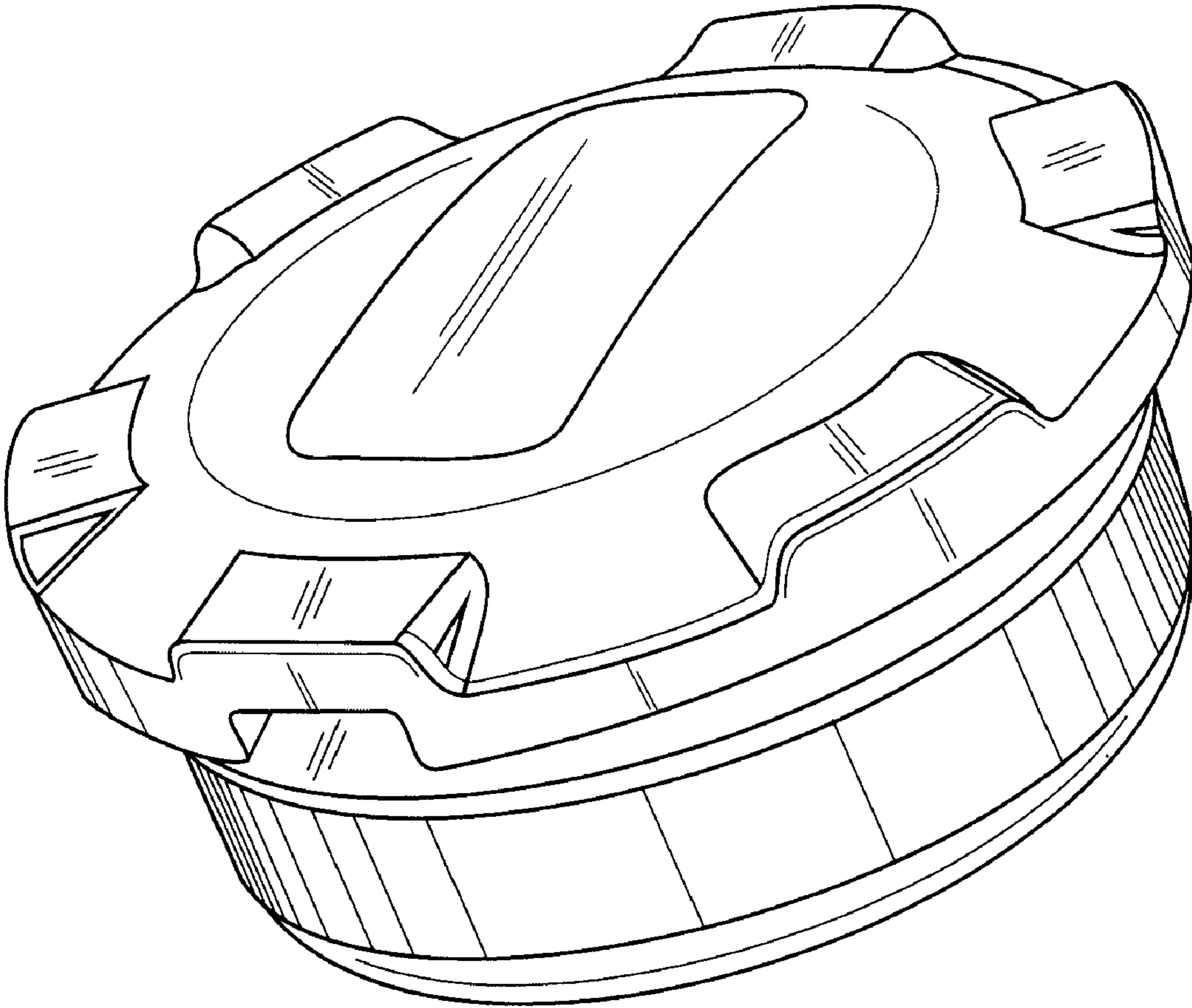


Fig. 1

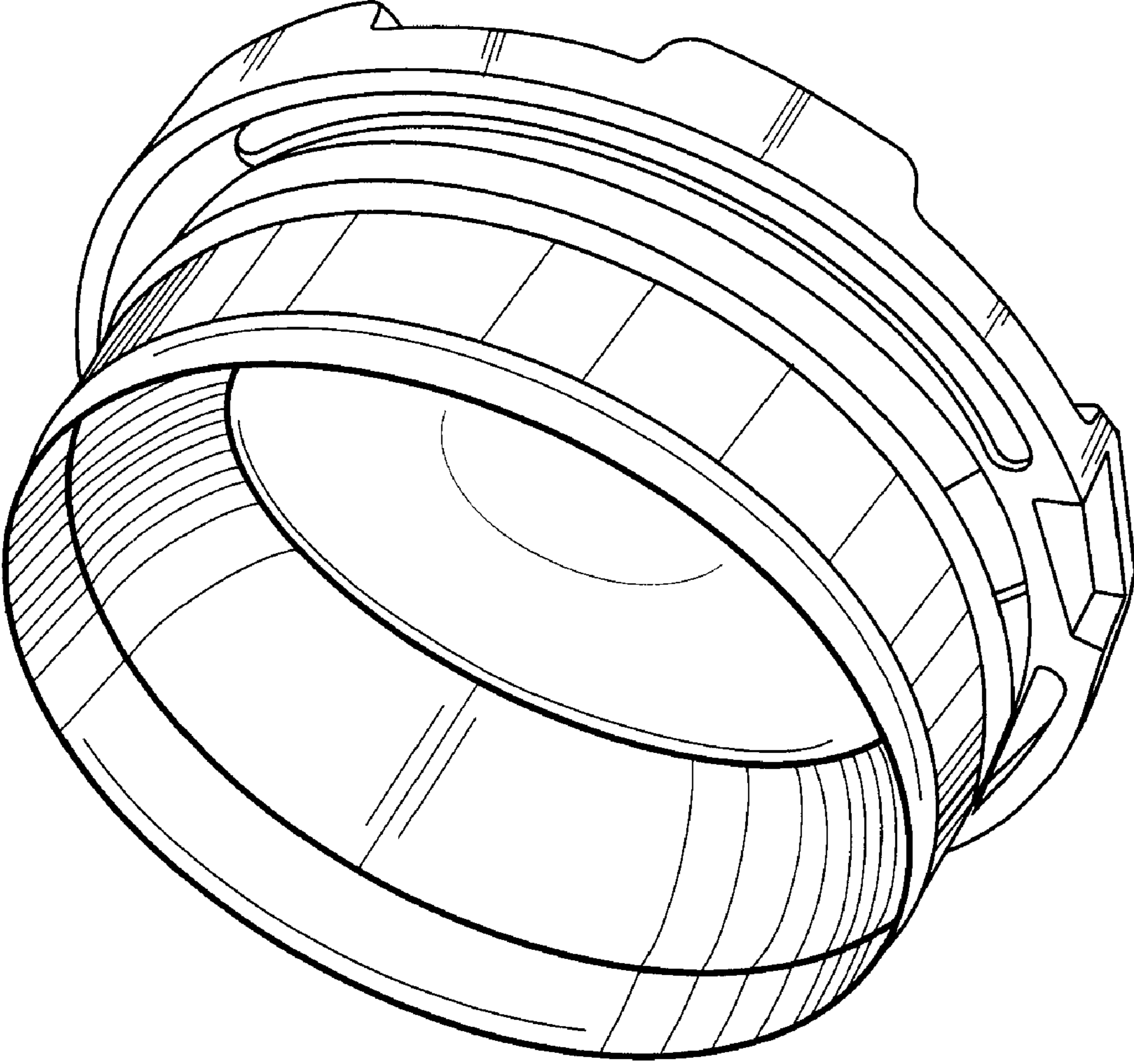


Fig. 2

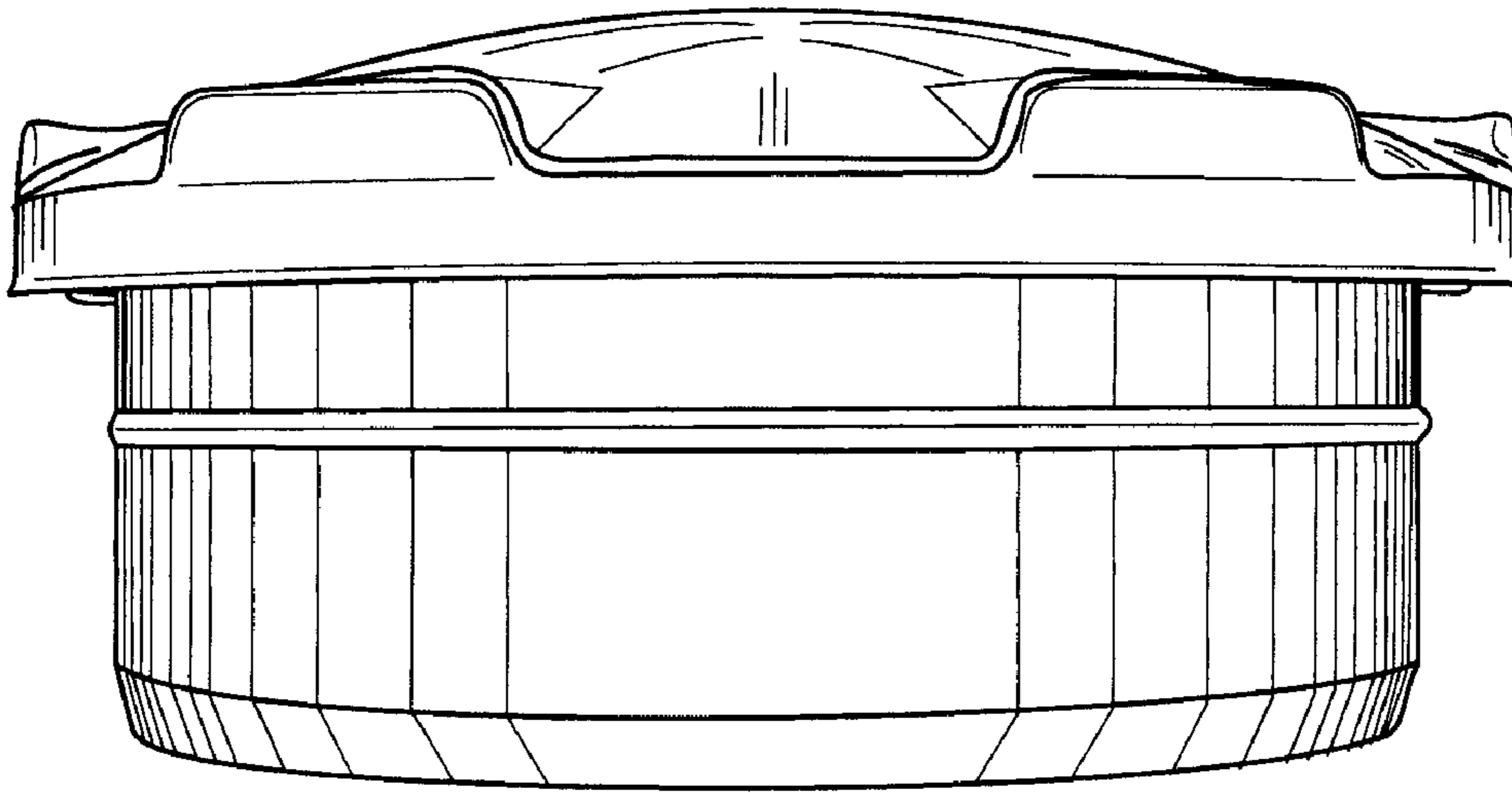


Fig. 3

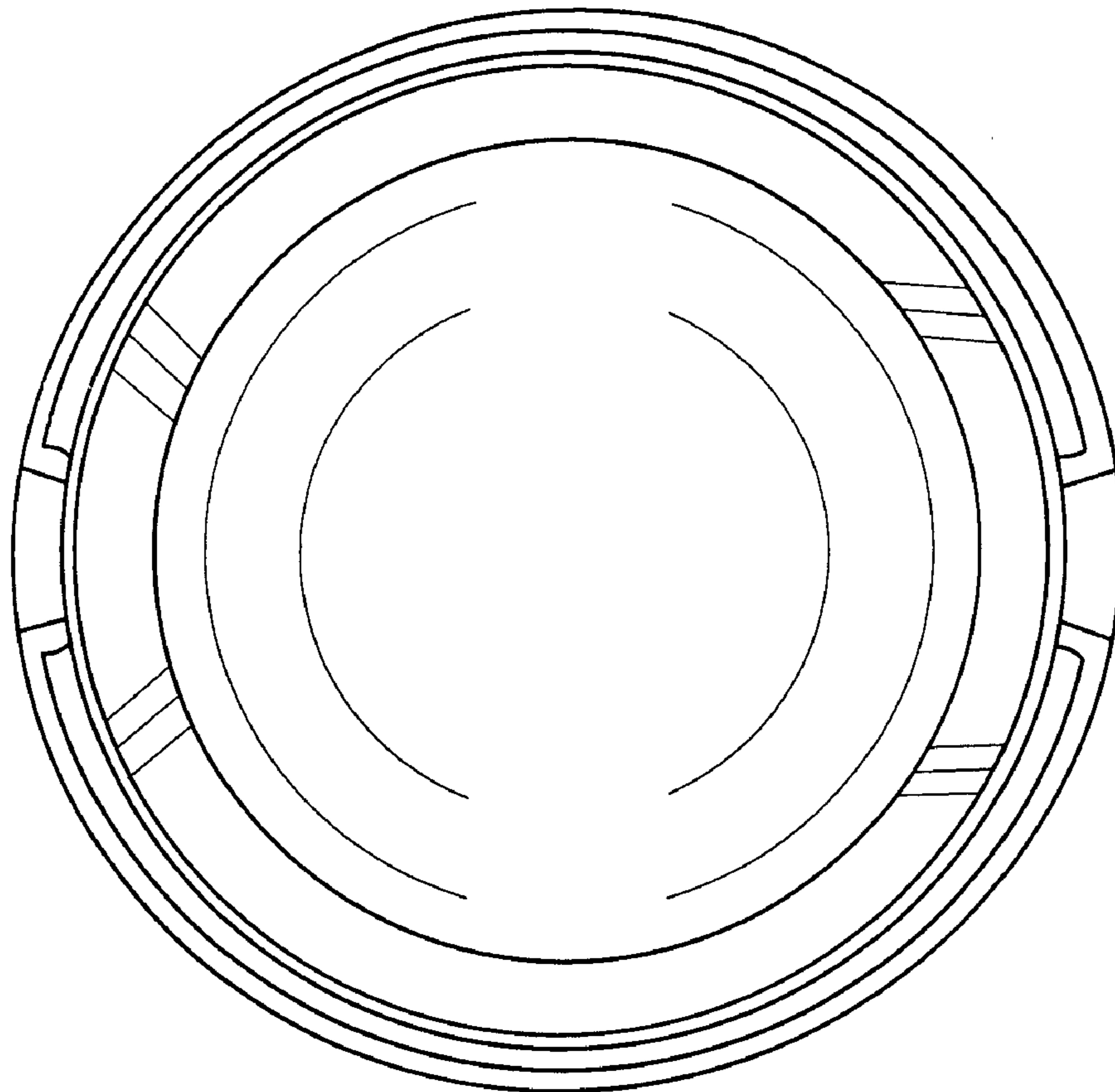


Fig. 4

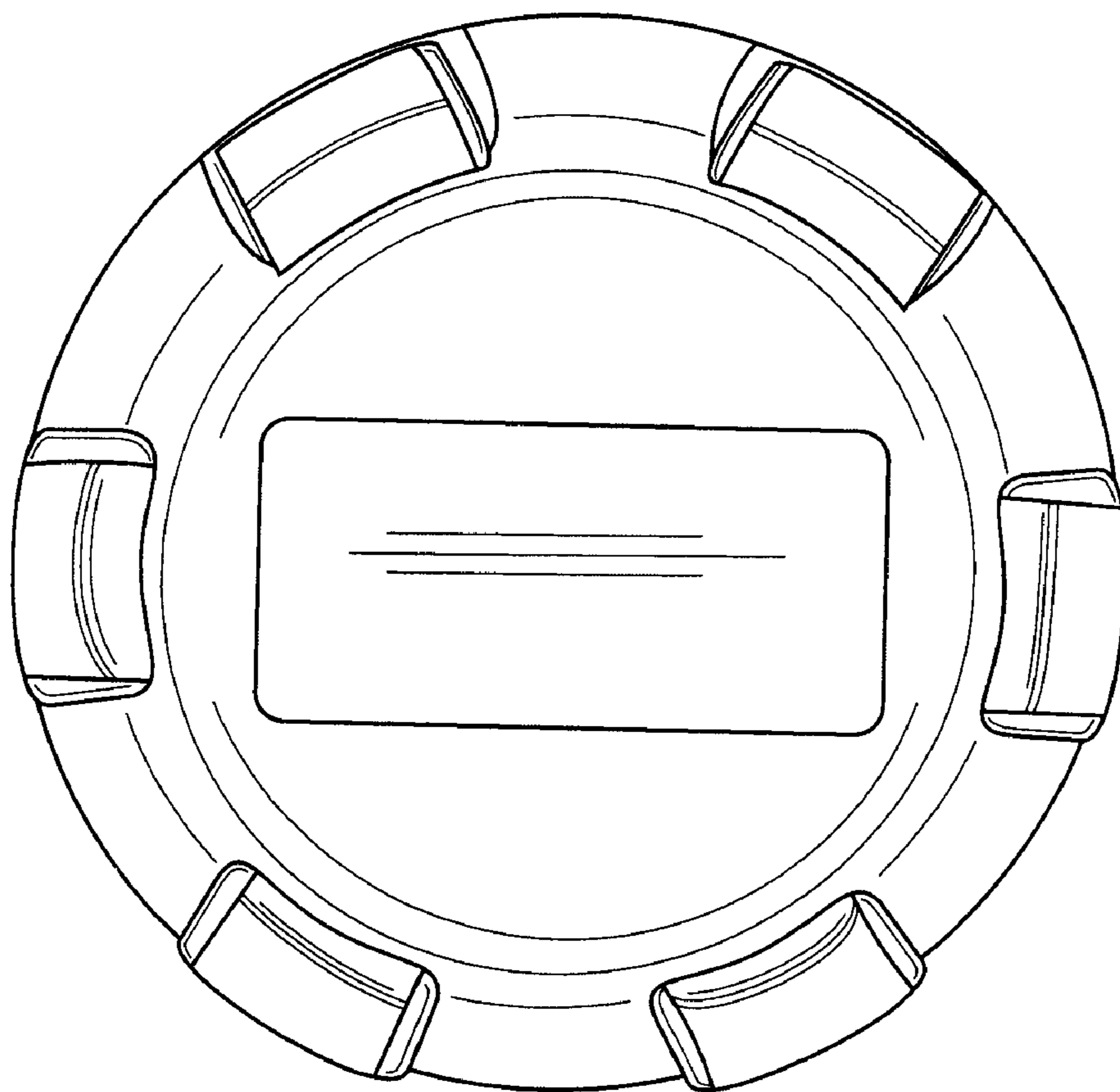


Fig. 5

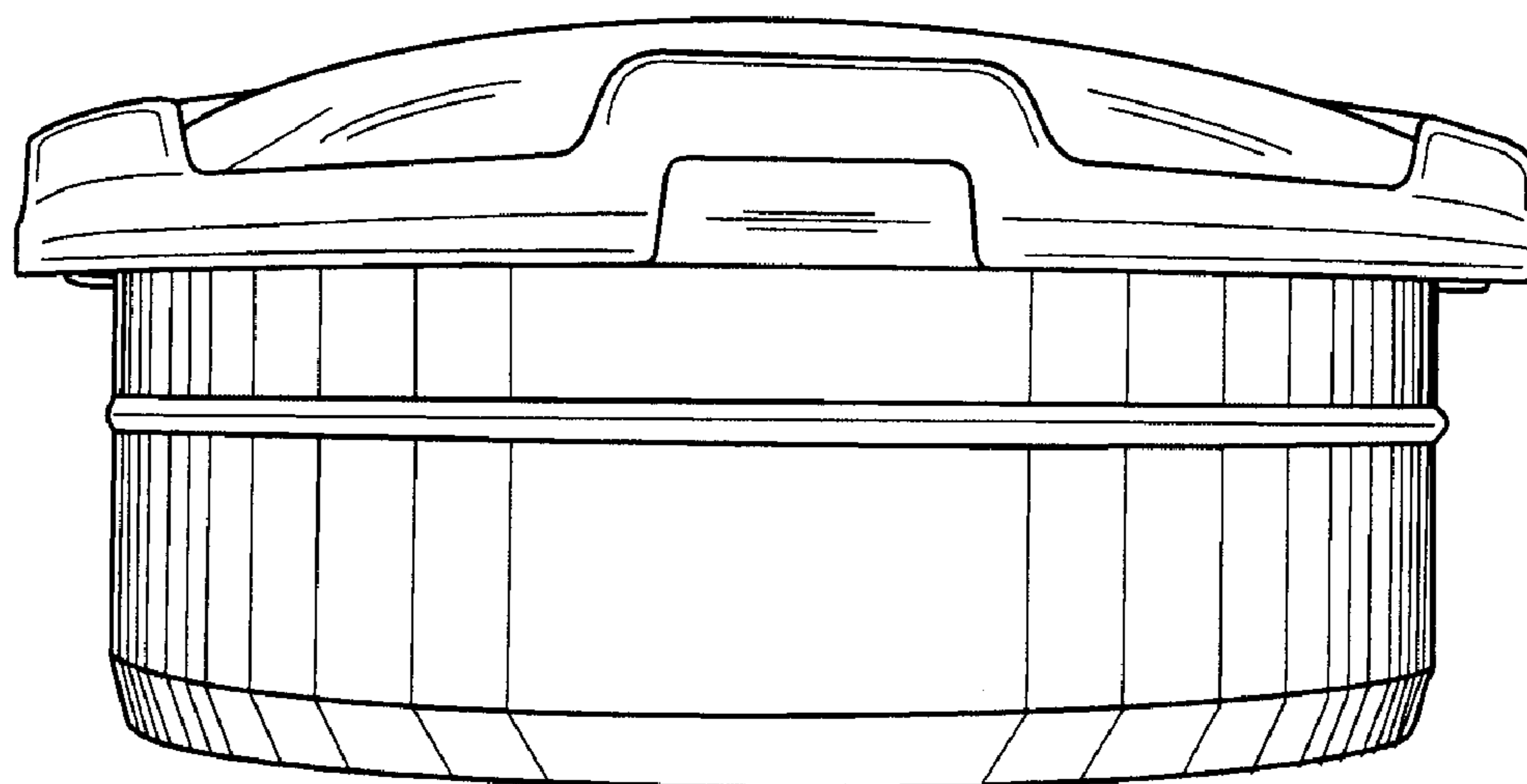


Fig. 6