



US00D547171S

(12) **United States Design Patent**
Snell

(10) **Patent No.:** **US D547,171 S**

(45) **Date of Patent:** **** Jul. 24, 2007**

(54) **OVER CABINET CLIP**

D535,550 S * 1/2007 Silberman D8/356

(75) Inventor: **Russell Benton Snell**, Bentleyville, OH
(US)

(73) Assignee: **InterDesign, Inc.**, Solon, OH (US)

(**) Term: **14 Years**

(21) Appl. No.: **29/264,575**

(22) Filed: **Aug. 11, 2006**

(51) **LOC (8) Cl.** **08-08**

(52) **U.S. Cl.** **D8/395**

(58) **Field of Classification Search** D8/356,
D8/371, 394-396; D19/65; 24/22, 67 R,
24/20 S, 115 R, 546, 563, 910, 343, 67.9;
248/74.2, 215, 227.1, 49, 300, 301, 316.7,
248/51, 489

See application file for complete search history.

(56) **References Cited**

U.S. PATENT DOCUMENTS

- D212,554 S * 10/1968 Pratt D8/395
- D288,901 S * 3/1987 Zamek D8/395
- D335,078 S 4/1993 Hampshire
- D342,889 S * 1/1994 Adams D8/367
- D360,355 S * 7/1995 Adams D8/367
- D393,797 S * 4/1998 Kostigian D8/395

OTHER PUBLICATIONS

2005 InterDesign, Inc. product brochure, p. 44, 53 w/front & back cover.

* cited by examiner

Primary Examiner—Louis S. Zarfes

Assistant Examiner—John Windmuller

(74) *Attorney, Agent, or Firm*—D. Peter Hochberg; Sean Mellino

(57) **CLAIM**

The ornamental design for an over cabinet clip, as shown and described.

DESCRIPTION

FIG. 1 is a perspective view of an over cabinet clip showing my new design;

FIG. 2 is a top plan view thereof;

FIG. 3 is a front elevational view thereof;

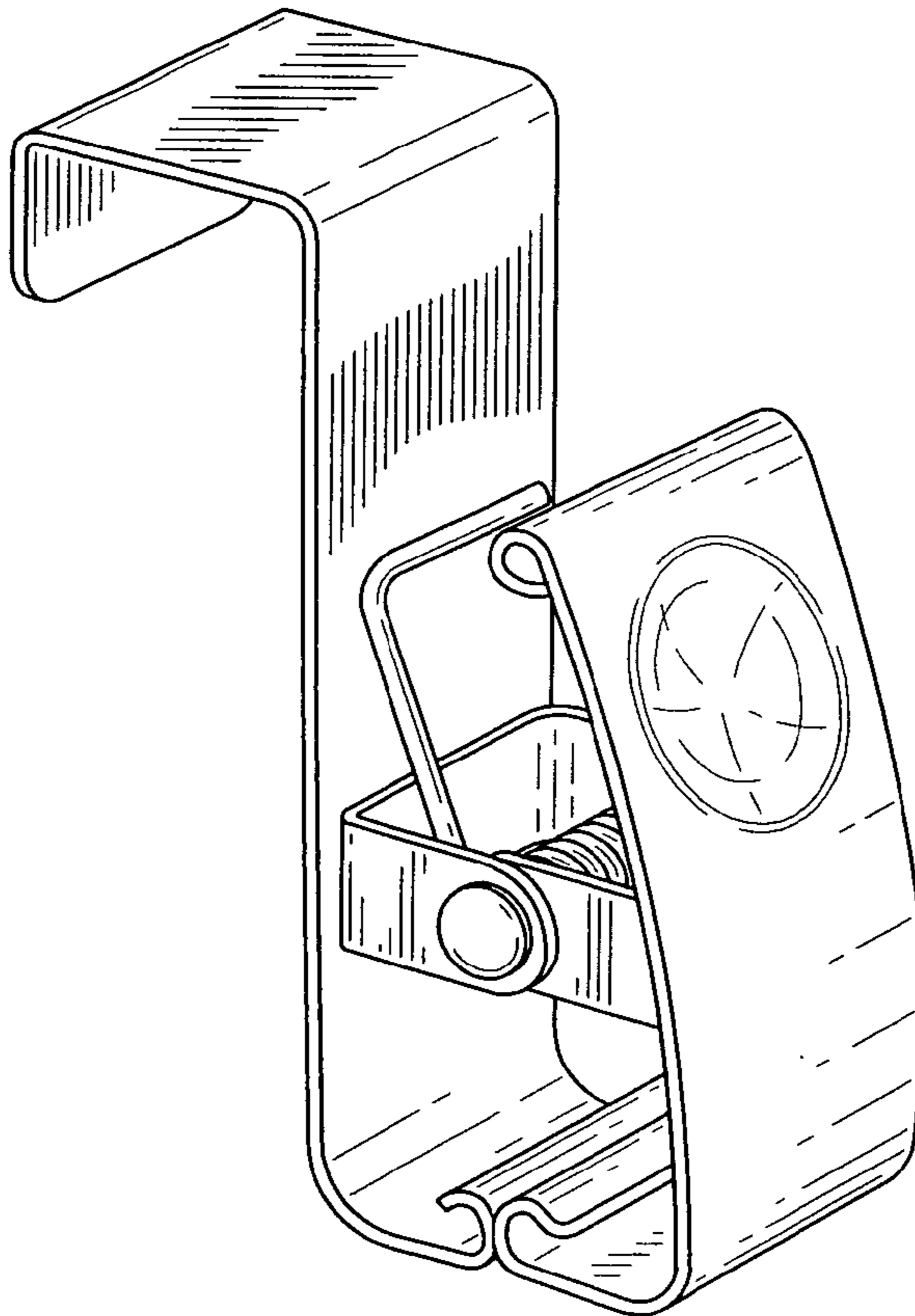
FIG. 4 is a right side elevational view thereof;

FIG. 5 is a rear elevational view thereof;

FIG. 6 is a left side elevational view thereof; and,

FIG. 7 is a bottom plan view thereof.

1 Claim, 3 Drawing Sheets



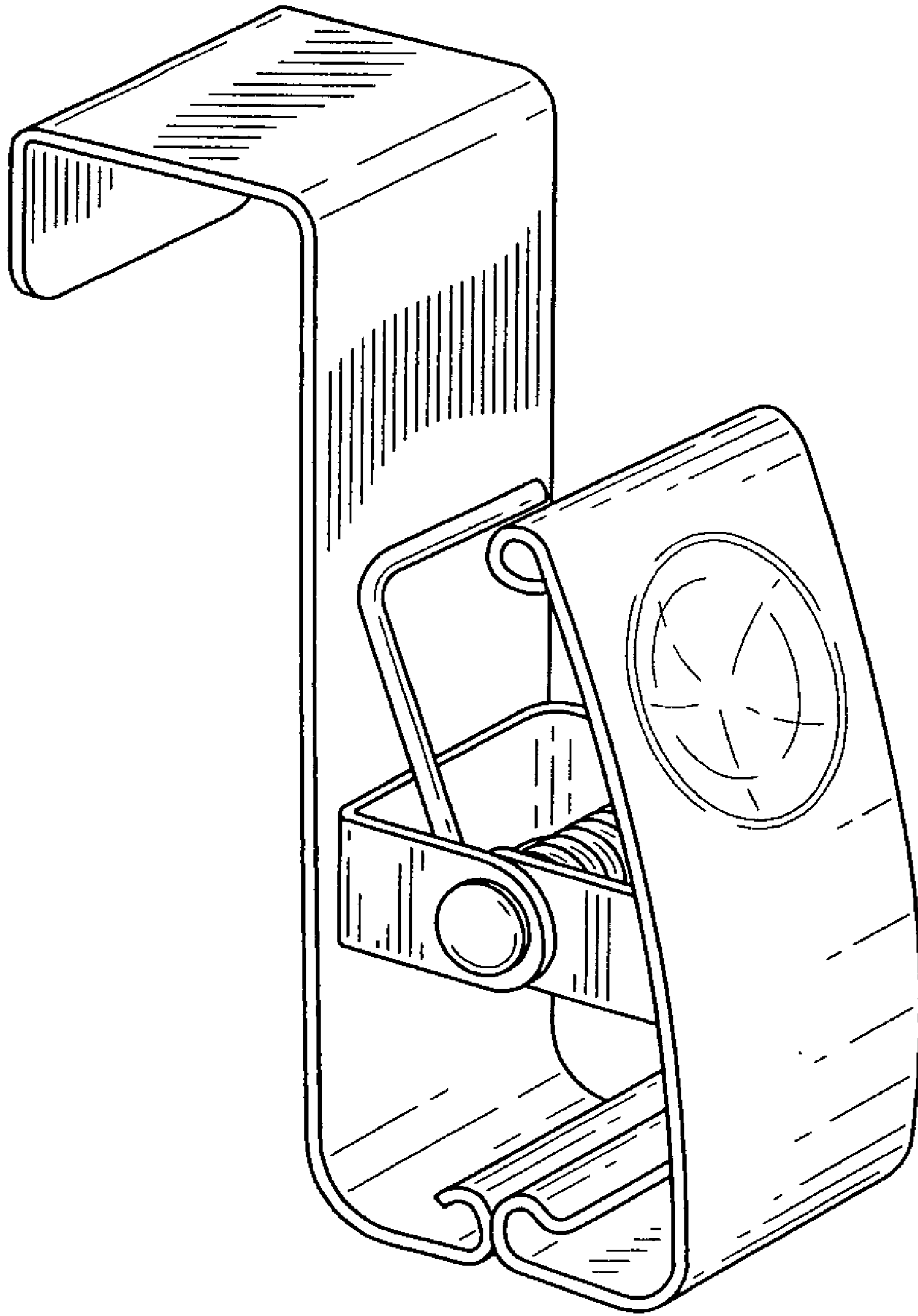


FIG-1

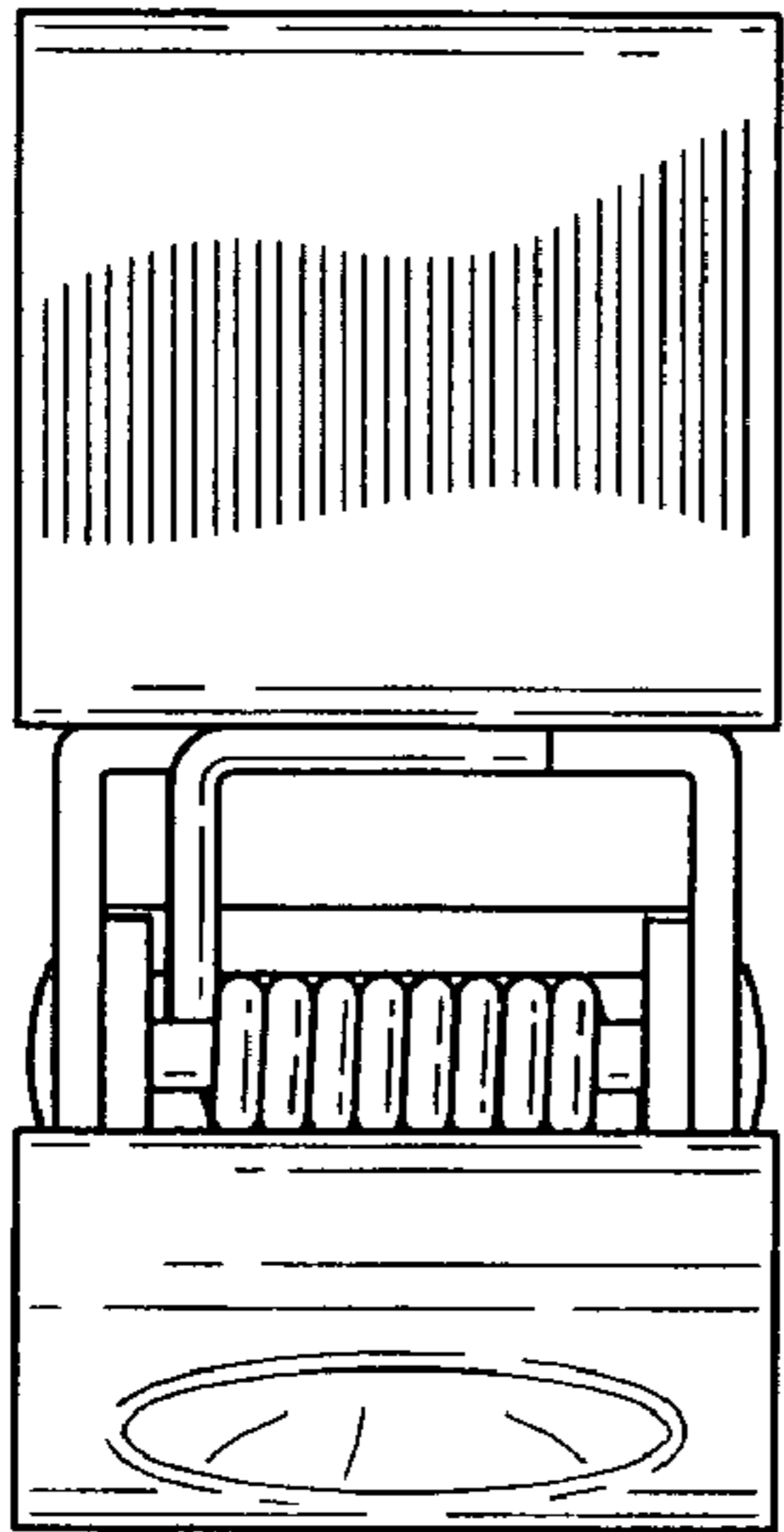


FIG-2

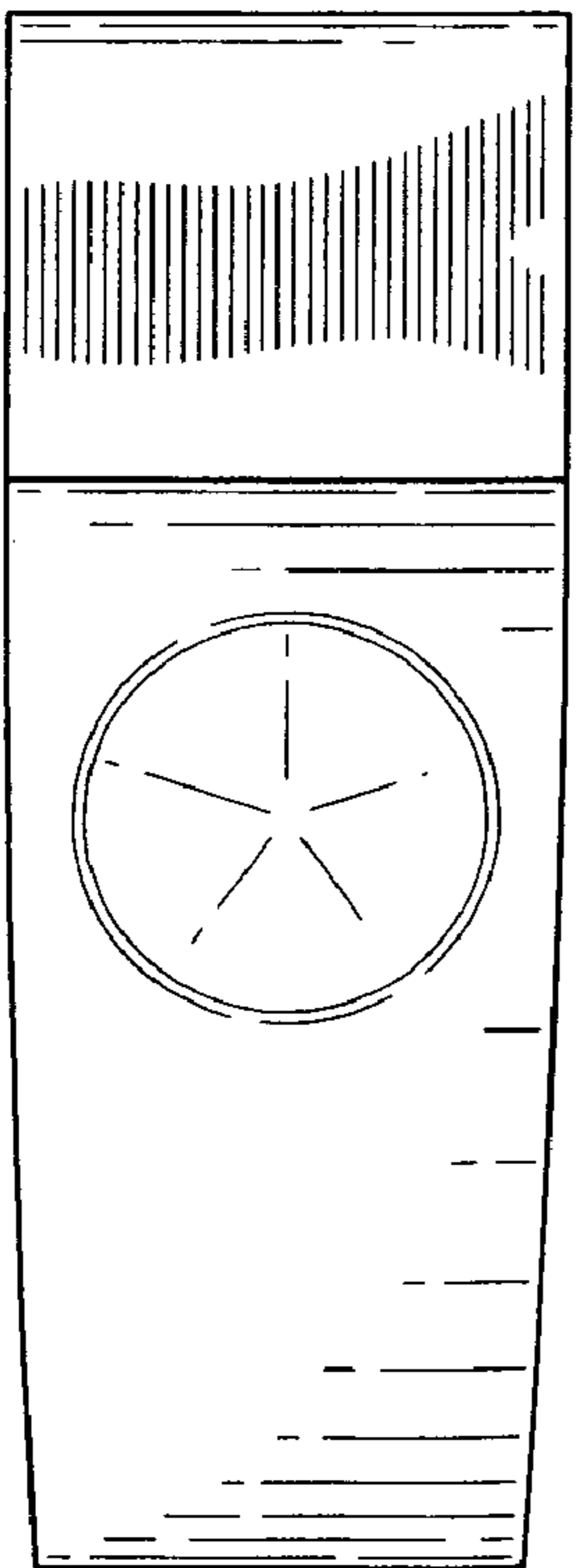


FIG-3

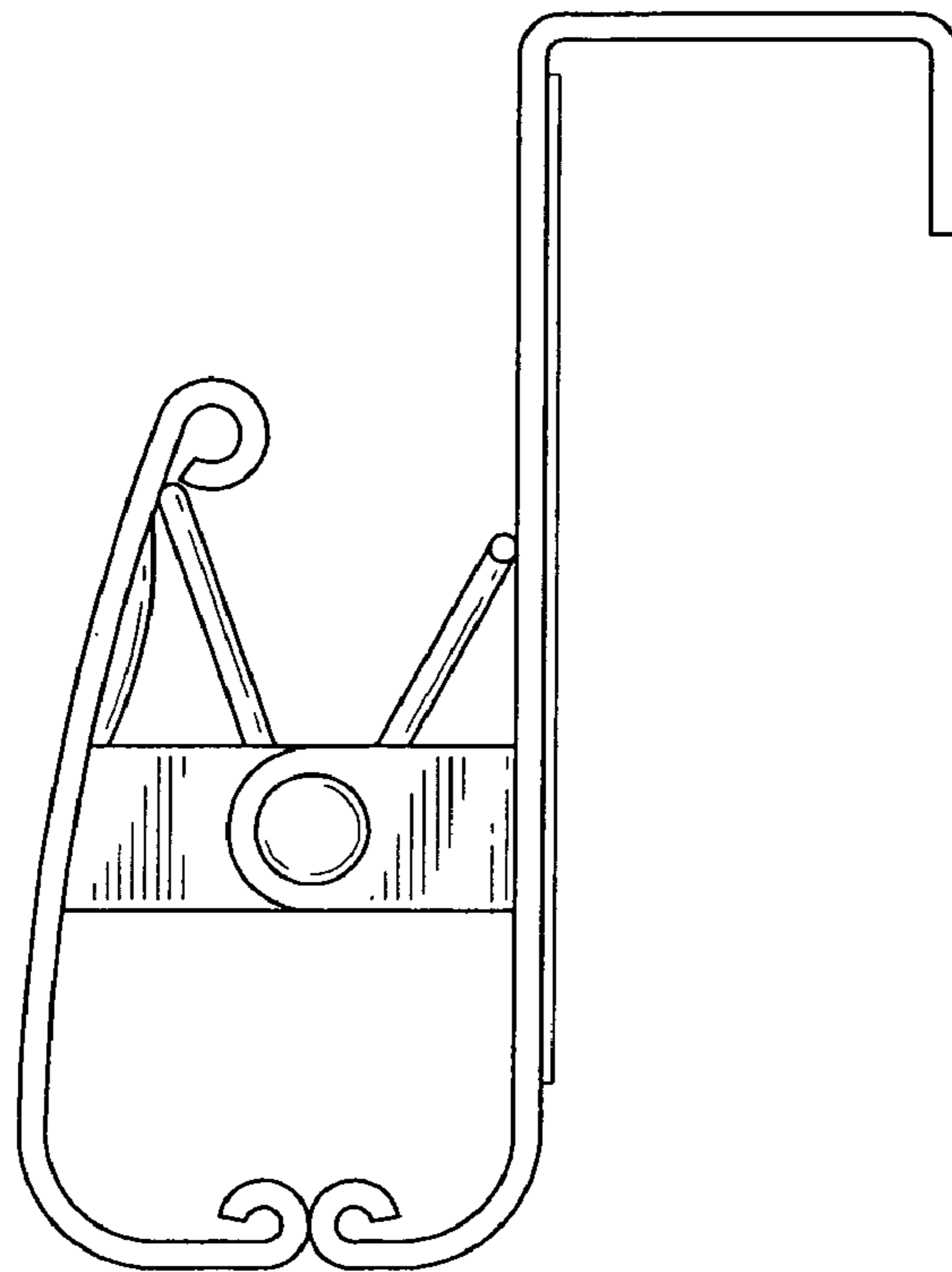


FIG-4

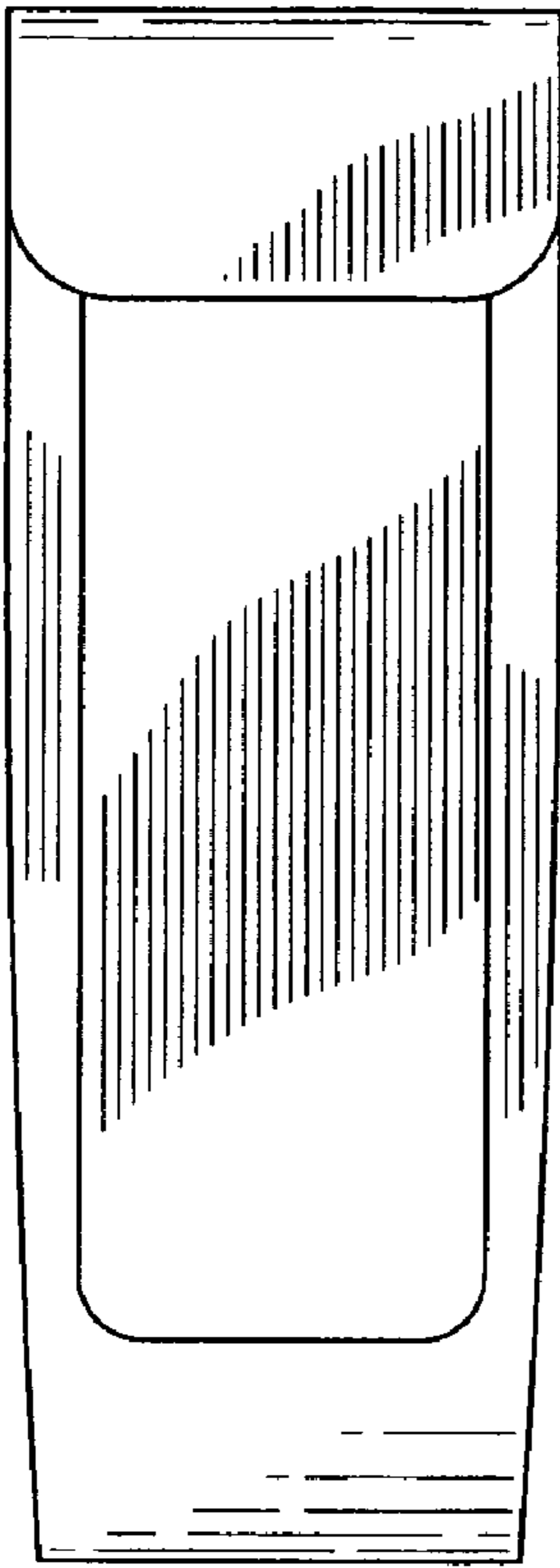


FIG-5

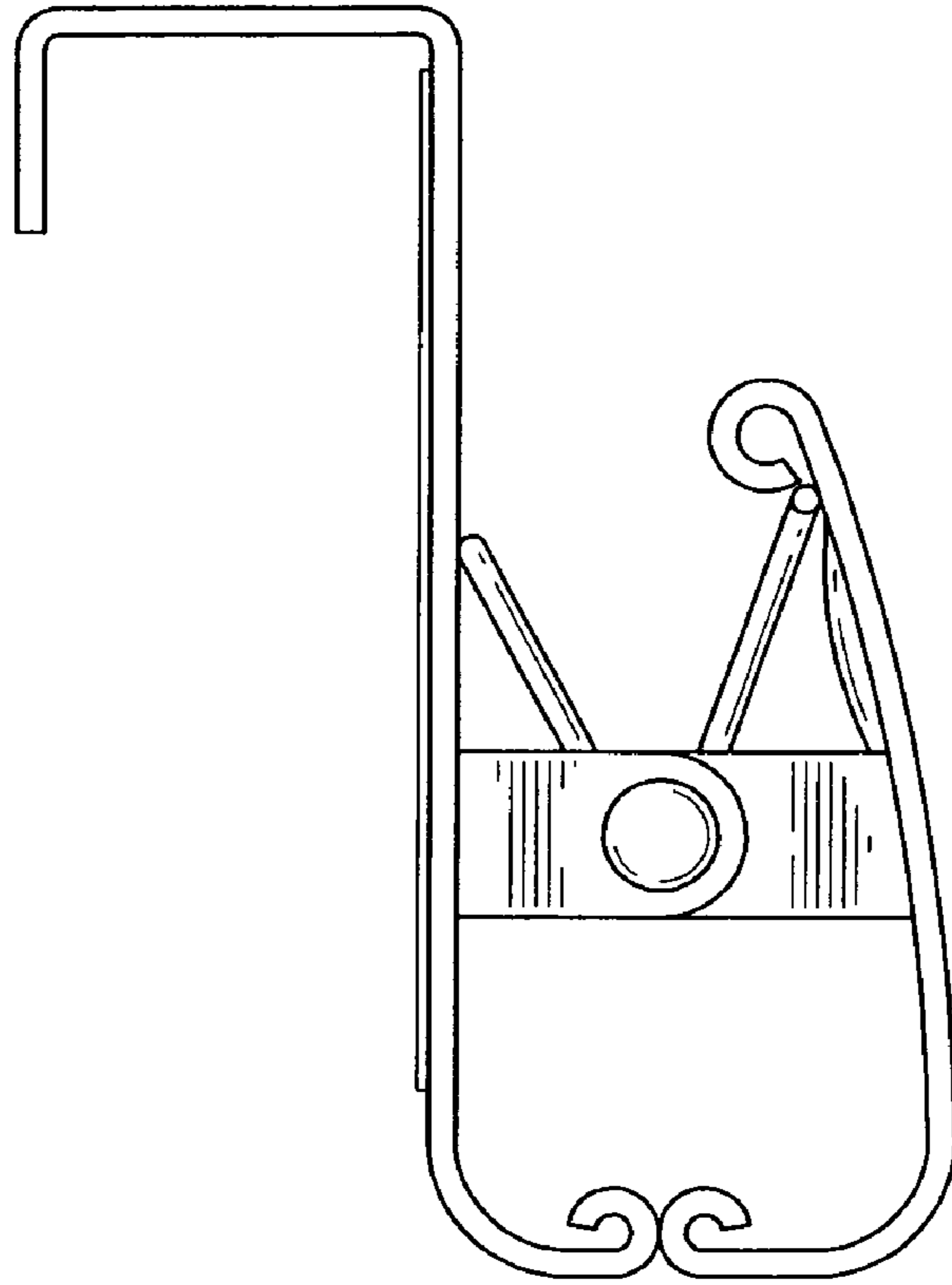


FIG-6

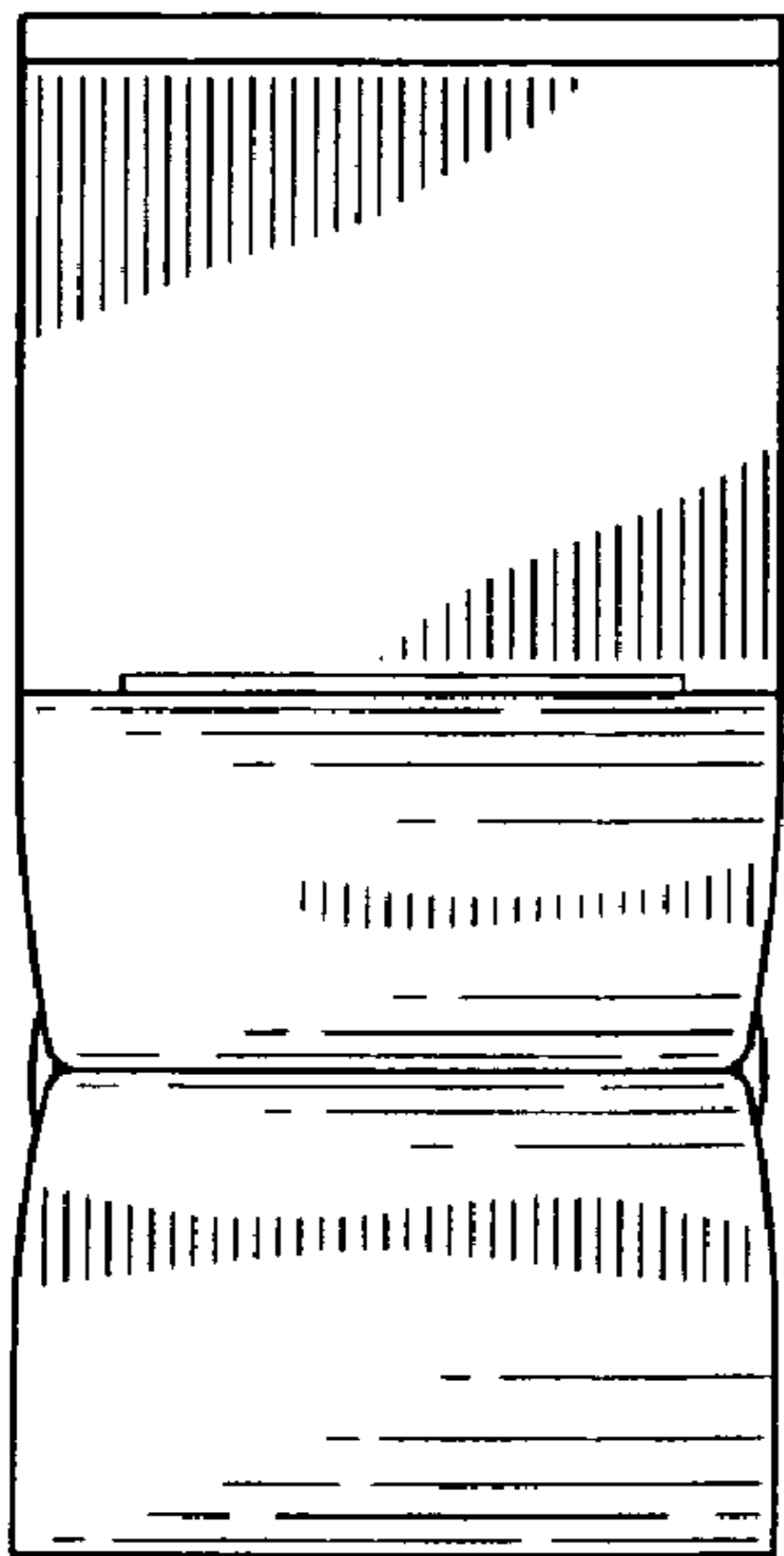


FIG-7