

US00D547170S

(12) **United States Design Patent**
Cox et al.

(10) **Patent No.:** **US D547,170 S**
(45) **Date of Patent:** **** Jul. 24, 2007**

- (54) **CLIP**
- (75) Inventors: **Johnny Cox**, Rowlett, TX (US); **Trevor Jackson**, Kirtland, OH (US); **Harry Klaus**, Mars, PA (US)
- (73) Assignee: **Emerald Innovations L.L.C.**, Butler, PA (US)
- (**) Term: **14 Years**
- (21) Appl. No.: **29/253,315**
- (22) Filed: **Feb. 3, 2006**

- D368,016 S 3/1996 McDowell et al.
- D368,017 S 3/1996 McDowell et al.
- D368,018 S 3/1996 McDowell et al.
- 5,513,081 A 4/1996 Byers
- D376,535 S 12/1996 Gary et al.
- D376,973 S 12/1996 Brown
- D377,844 S 2/1997 Gary et al.
- D378,439 S 3/1997 Gary et al.
- D383,666 S 9/1997 Adams
- 5,669,709 A 9/1997 Adams
- 5,707,136 A 1/1998 Byers
- D396,184 S 7/1998 Adams et al.
- D405,681 S 2/1999 McDowell et al.
- D406,383 S 3/1999 Adams
- 5,893,628 A 4/1999 Byers

- (51) **LOC (8) Cl.** **08-08**
- (52) **U.S. Cl.** **D8/395**
- (58) **Field of Classification Search** D8/356,
D8/371, 394-396; 248/74.2, 215, 227.1,
248/49, 300, 301, 316.7, 51, 489; 24/22,
24/67 R, 20 S, 115 R, 546, 563, 910, 343,
24/67.9; D19/65

See application file for complete search history.

(56) **References Cited**

U.S. PATENT DOCUMENTS

- D251,124 S * 2/1979 Takeuchi D19/65
- D290,931 S * 7/1987 Powell D8/373
- 5,026,016 A * 6/1991 Lisowski 248/314
- 5,141,192 A 8/1992 Adams
- D331,360 S 12/1992 Adams
- 5,249,108 A 9/1993 Gary
- D342,889 S 1/1994 Adams
- D356,246 S 3/1995 Adams
- D356,492 S 3/1995 Adams
- D360,355 S 7/1995 Adams
- D360,572 S 7/1995 Adams
- D360,573 S 7/1995 Adams
- D365,015 S 12/1995 Avinger
- D367,223 S 2/1996 Adams

(Continued)

Primary Examiner—Louis S. Zarfes
Assistant Examiner—John Windmuller
(74) *Attorney, Agent, or Firm*—Calfee, Halter & Griswold LLP

(57) **CLAIM**

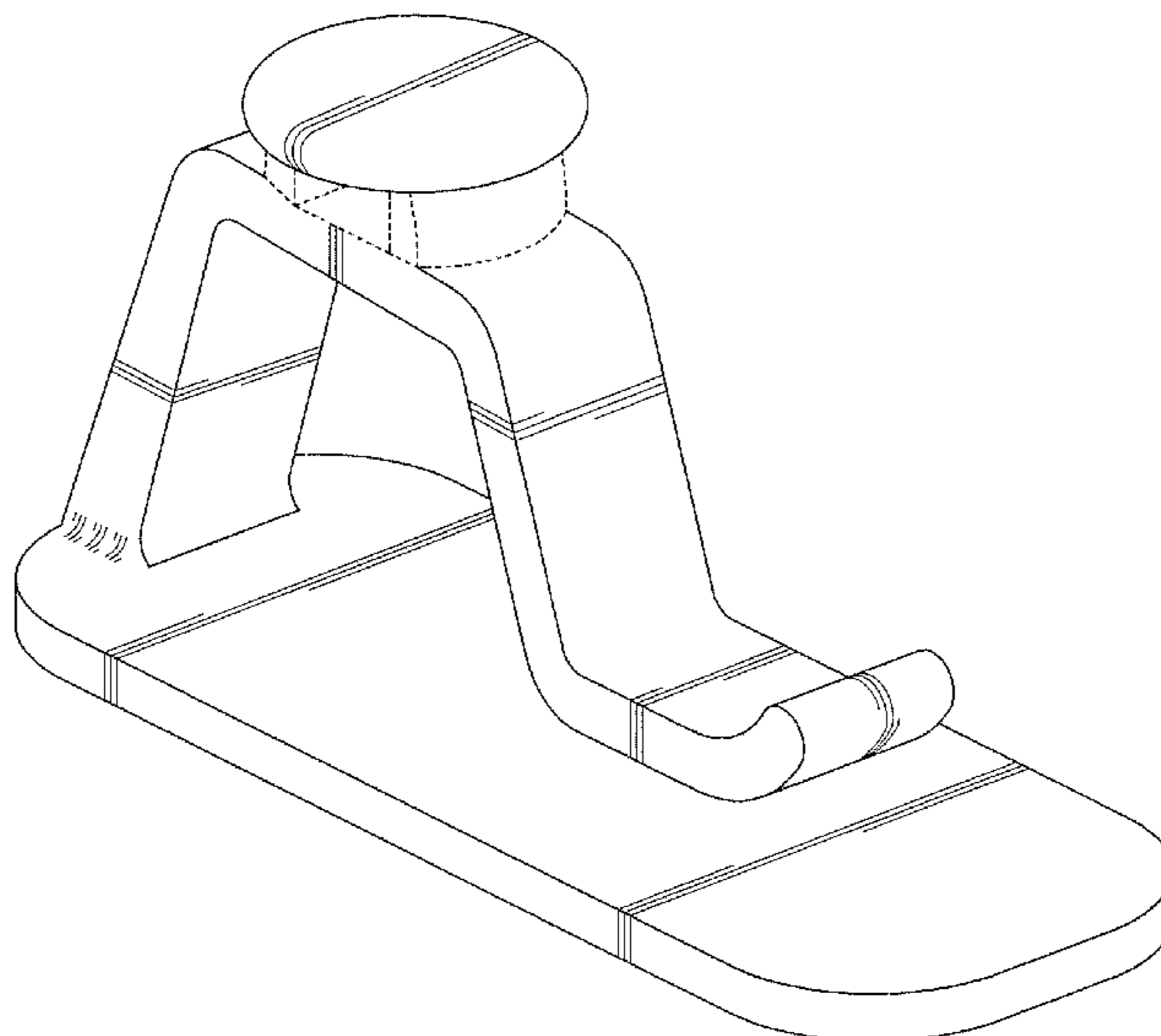
The ornamental design for a clip, as shown and described.

DESCRIPTION

FIG. 1 is a perspective view of a clip of the new design; FIG. 2 is a front elevational view of the clip of FIG. 1; FIG. 3 is a rear elevational view of the clip of FIG. 1; FIG. 4 is a left side elevational view of the clip of FIG. 1; FIG. 5 is a right side elevational view of the clip of FIG. 1; FIG. 6 is a top plan view of the clip of FIG. 1; and, FIG. 7 is a bottom plan view of the clip of FIG. 1.

The portions of the Figures shown in broken lines are not part of the claimed design and are for illustration only.

1 Claim, 3 Drawing Sheets



US D547,170 S

Page 2

U.S. PATENT DOCUMENTS

5,910,351 A *	6/1999	Davis et al.	428/100	D460,912 S	7/2002	Gary et al.	
D414,291 S	9/1999	Gary et al.		6,497,396 B1	12/2002	Adams	
5,957,568 A	9/1999	Byers		6,513,188 B2	2/2003	Kalman et al.	
D416,788 S	11/1999	Jones et al.		6,513,772 B2 *	2/2003	Gary et al.	248/231.91
D417,612 S	12/1999	Jones		6,644,836 B1	11/2003	Adams	
D421,565 S	3/2000	Jones et al.		D492,890 S	7/2004	Adams	
D422,203 S	4/2000	Gary et al.		D494,849 S	8/2004	Jones et al.	
D424,418 S	5/2000	Gary et al.		6,857,608 B2	2/2005	Avinger	
D424,419 S	5/2000	Avinger		D509,726 S *	9/2005	Diller	D8/395
D427,510 S	7/2000	Gary et al.		2003/0198054 A1	10/2003	Adams	
6,131,865 A	10/2000	Adams		2004/0129846 A1	7/2004	Adams et al.	
D435,684 S	12/2000	Gary et al.		2005/0017144 A1	1/2005	Jackson et al.	
D451,007 S	11/2001	Jones et al.		2005/0072886 A1	4/2005	Adams	
6,328,459 B1	12/2001	Adams		2005/0082454 A1	4/2005	Adams	
6,352,229 B1	3/2002	Adams		2005/0188507 A1	9/2005	Adams et al.	
D455,337 S *	4/2002	Maruoka	D8/383				

* cited by examiner

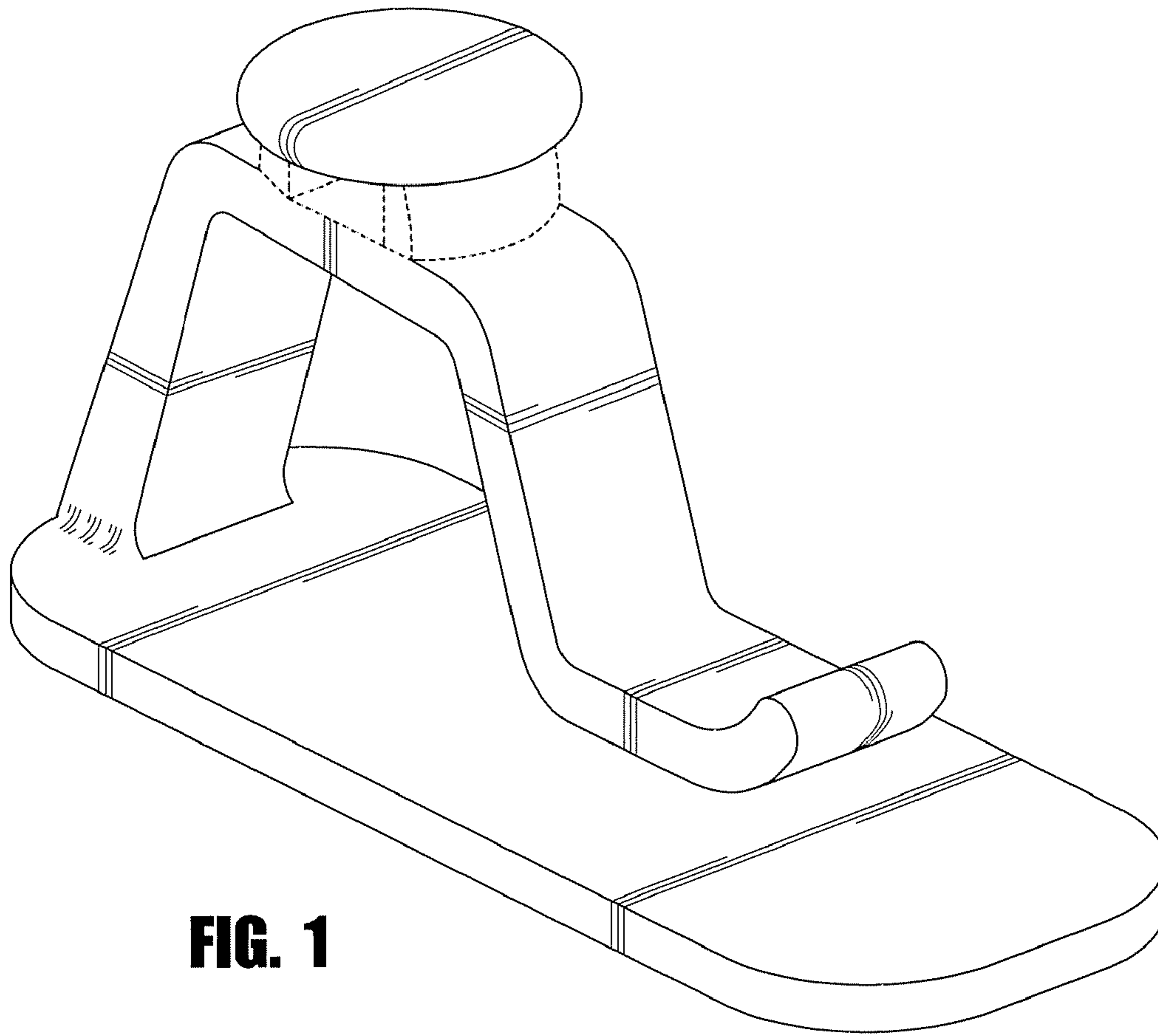


FIG. 1

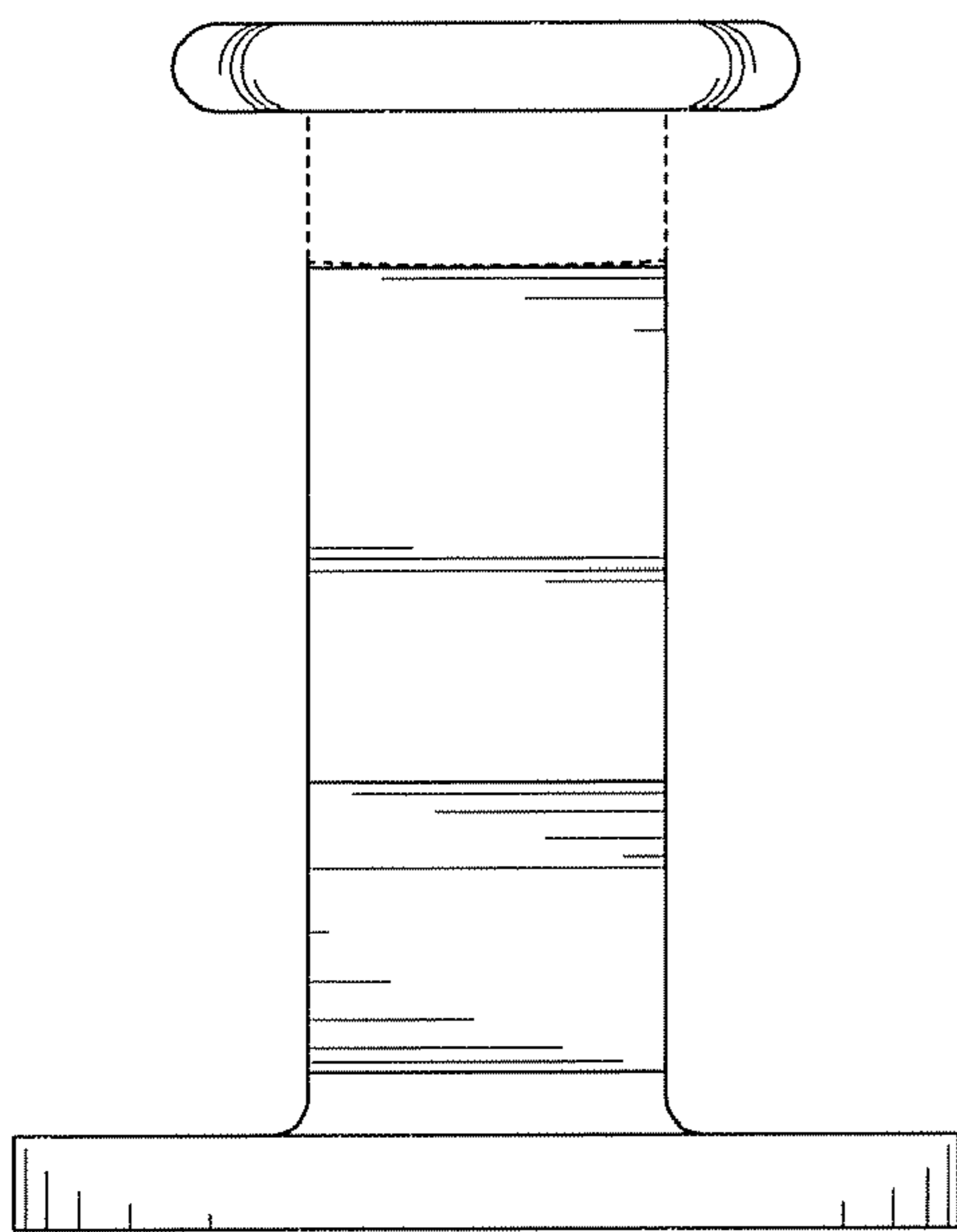


FIG. 2

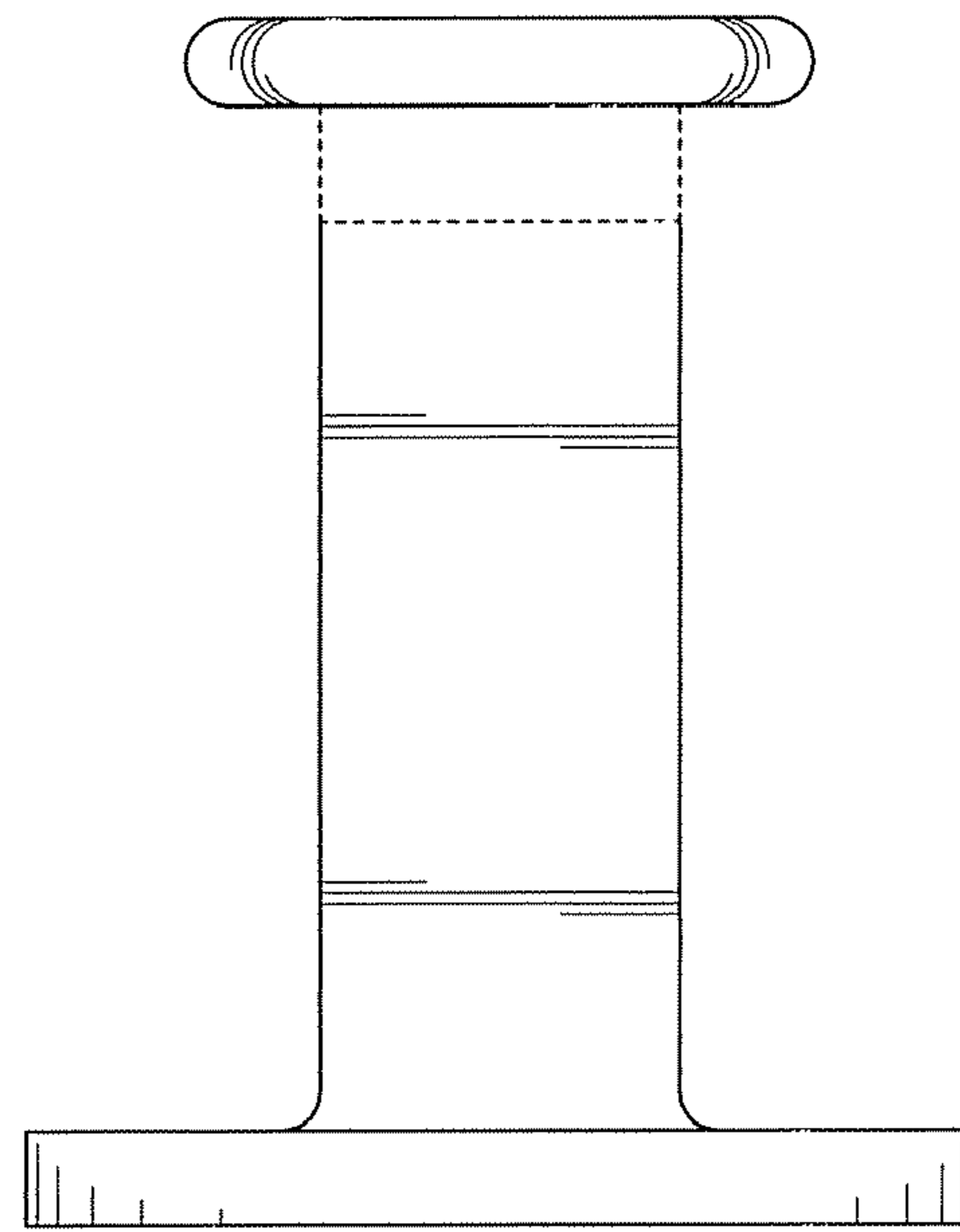


FIG. 3

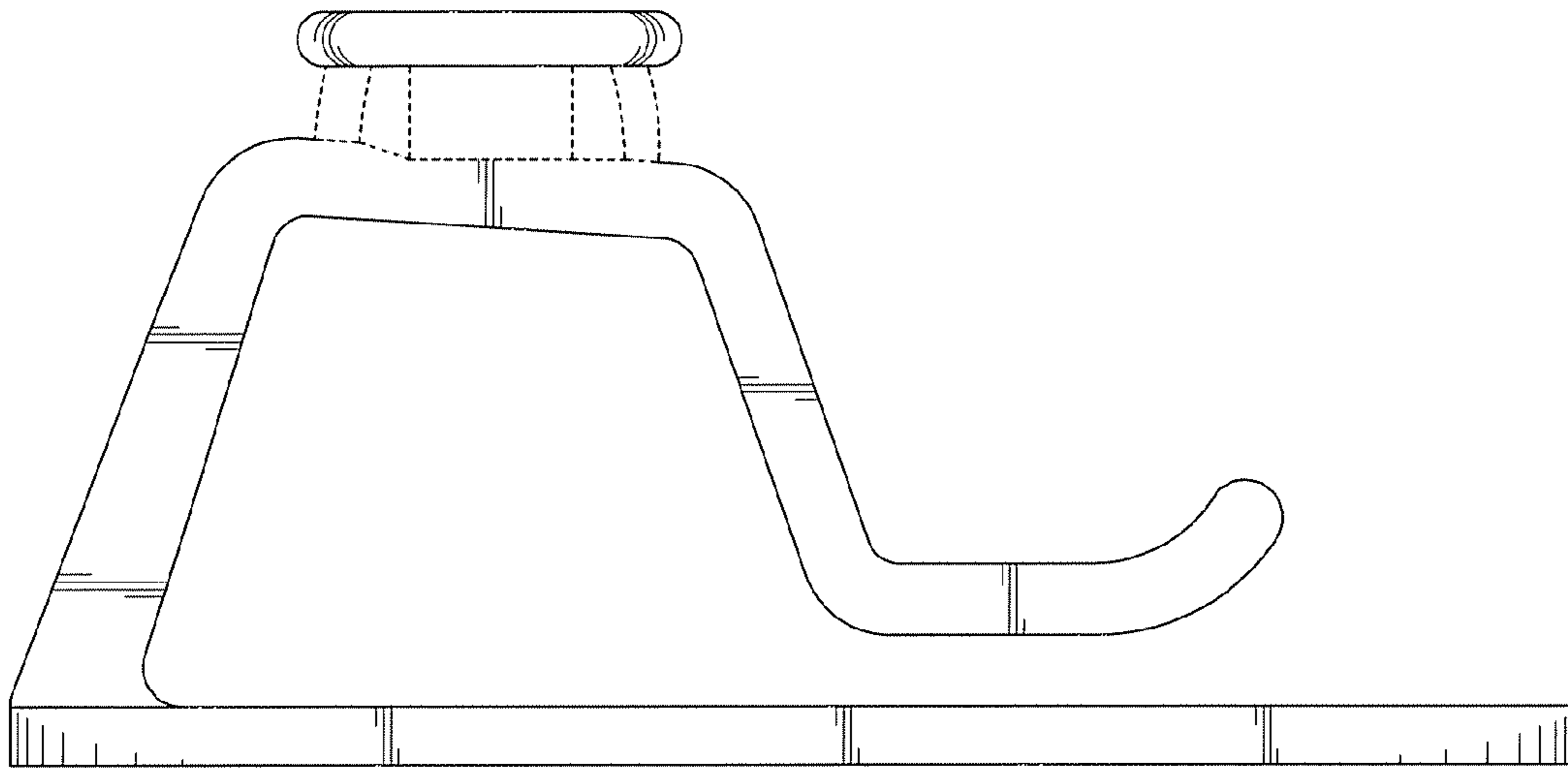


FIG. 4

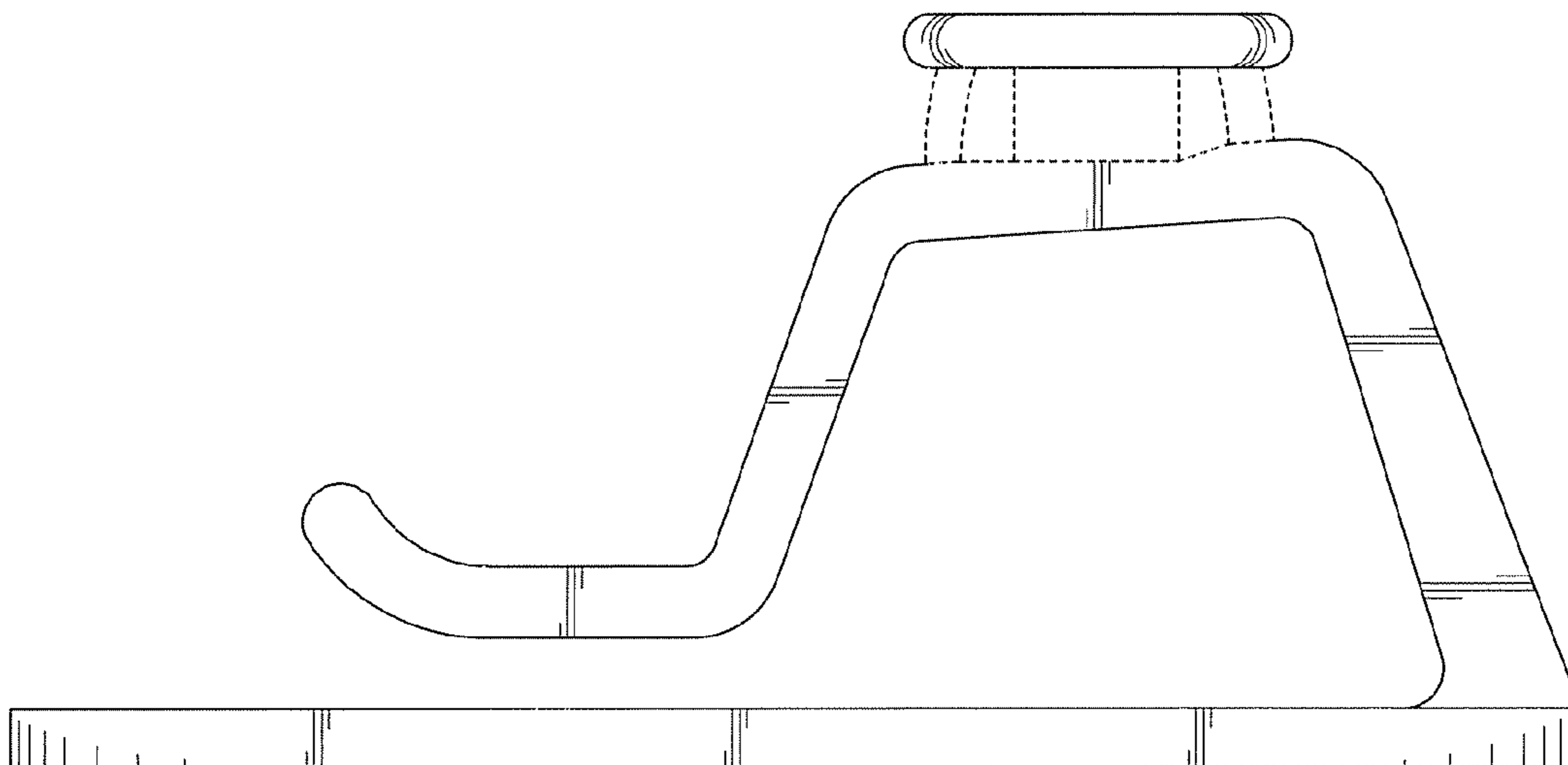


FIG. 5

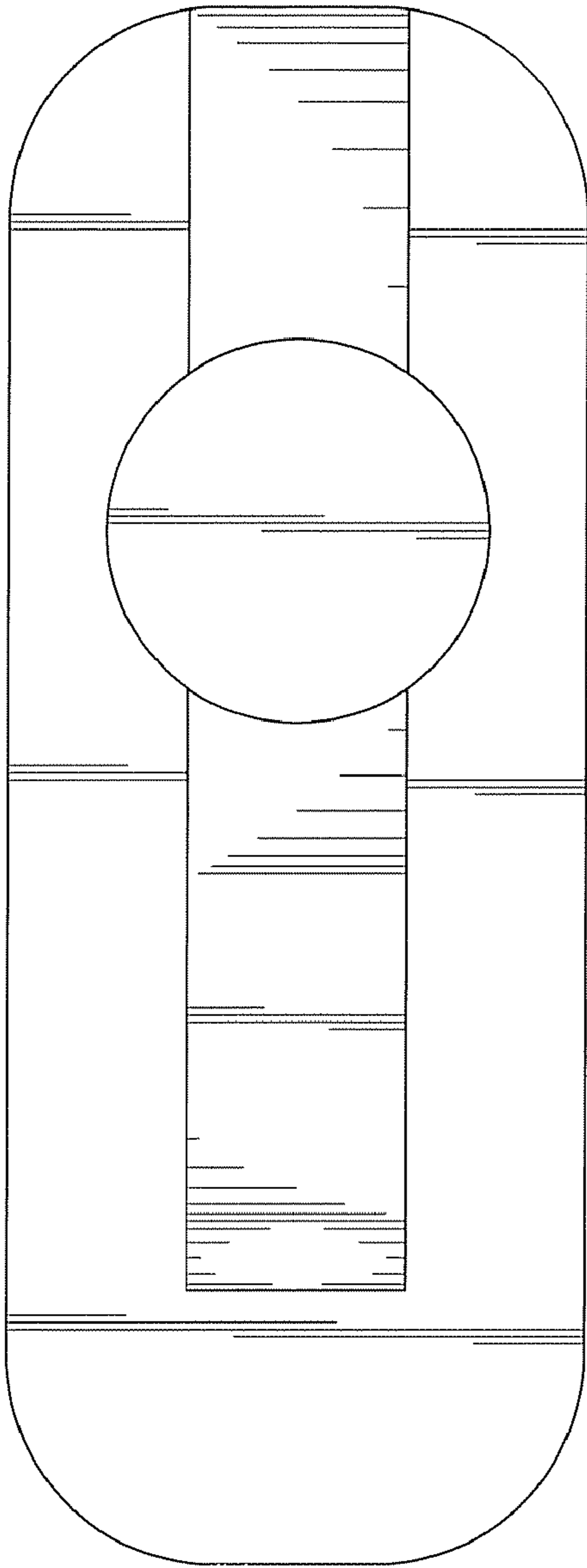


FIG. 6

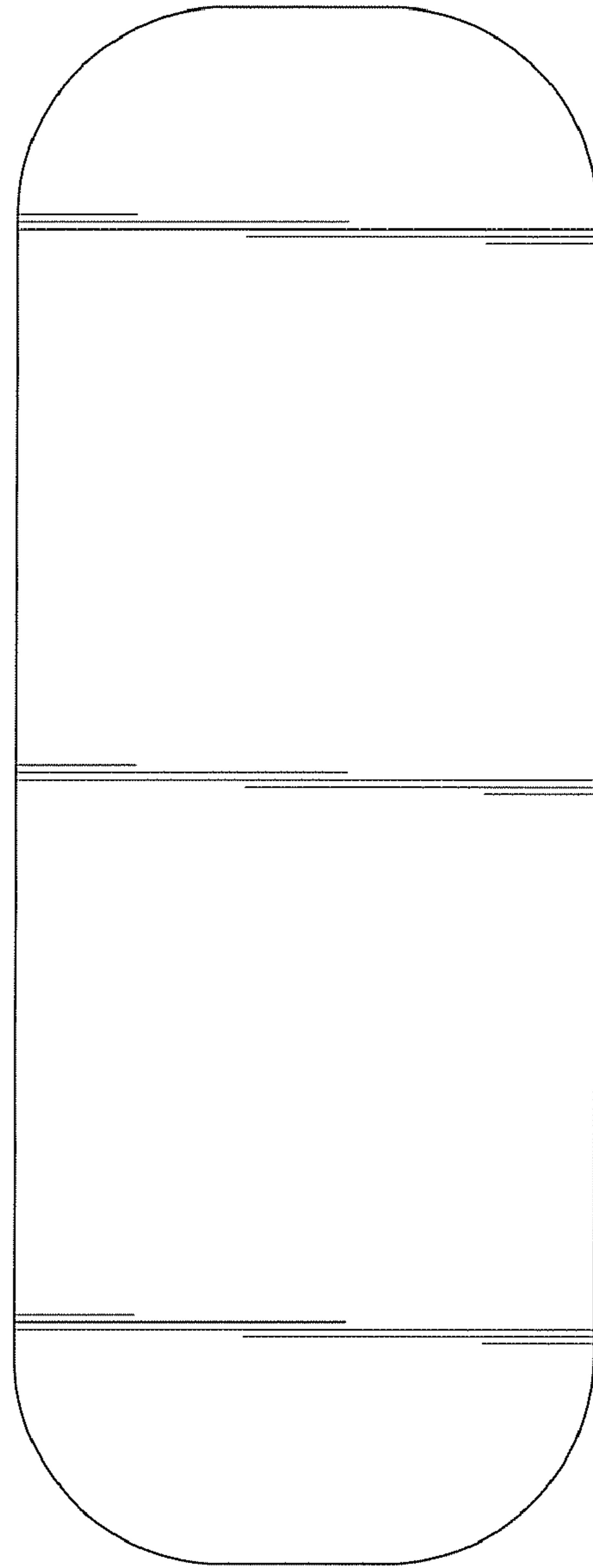


FIG. 7