



US00D547169S

(12) **United States Design Patent**  
**Harris**

(10) **Patent No.:** **US D547,169 S**

(45) **Date of Patent:** **\*\* Jul. 24, 2007**

(54) **DECK BOARD FASTENER**

(76) **Inventor:** **G. Steven Harris**, 4815 W. 120th Pl.,  
Overland Park, KS (US) 66209

(\*\*) **Term:** **14 Years**

(21) **Appl. No.:** **29/240,464**

(22) **Filed:** **Oct. 14, 2005**

(51) **LOC (8) Cl.** ..... **08-08**

(52) **U.S. Cl.** ..... **D8/382**

(58) **Field of Classification Search** ..... D8/349,  
D8/354, 382

See application file for complete search history.

(56) **References Cited**

**U.S. PATENT DOCUMENTS**

D295,496 S \* 5/1988 Burke et al. .... D8/394

D485,160 S \* 1/2004 Pelc ..... D8/382

D487,222 S \* 3/2004 Balaban ..... D8/354

D533,547 S \* 12/2006 Sergi ..... D14/238

\* cited by examiner

*Primary Examiner*—Holly H. Baynham

*Assistant Examiner*—Sheryl Friedman

(74) *Attorney, Agent, or Firm*—Berenato, White & Stavish

(57) **CLAIM**

The ornamental design for a deck board fastener, as shown and described.

**DESCRIPTION**

FIG. 1 is a front, top and right perspective view of the deck board fastener according to the present invention.

FIG. 2 is a right side view of the fastener of FIG. 1.

FIG. 3 is a left side view of the fastener of FIG. 1.

FIG. 4 is a front view of the fastener of FIG. 1.

FIG. 5 is a rear view of the fastener of FIG. 1.

FIG. 6 is a top view of the fastener of FIG. 1; and,

FIG. 7 is a bottom view of the fastener of FIG. 1.

**1 Claim, 2 Drawing Sheets**

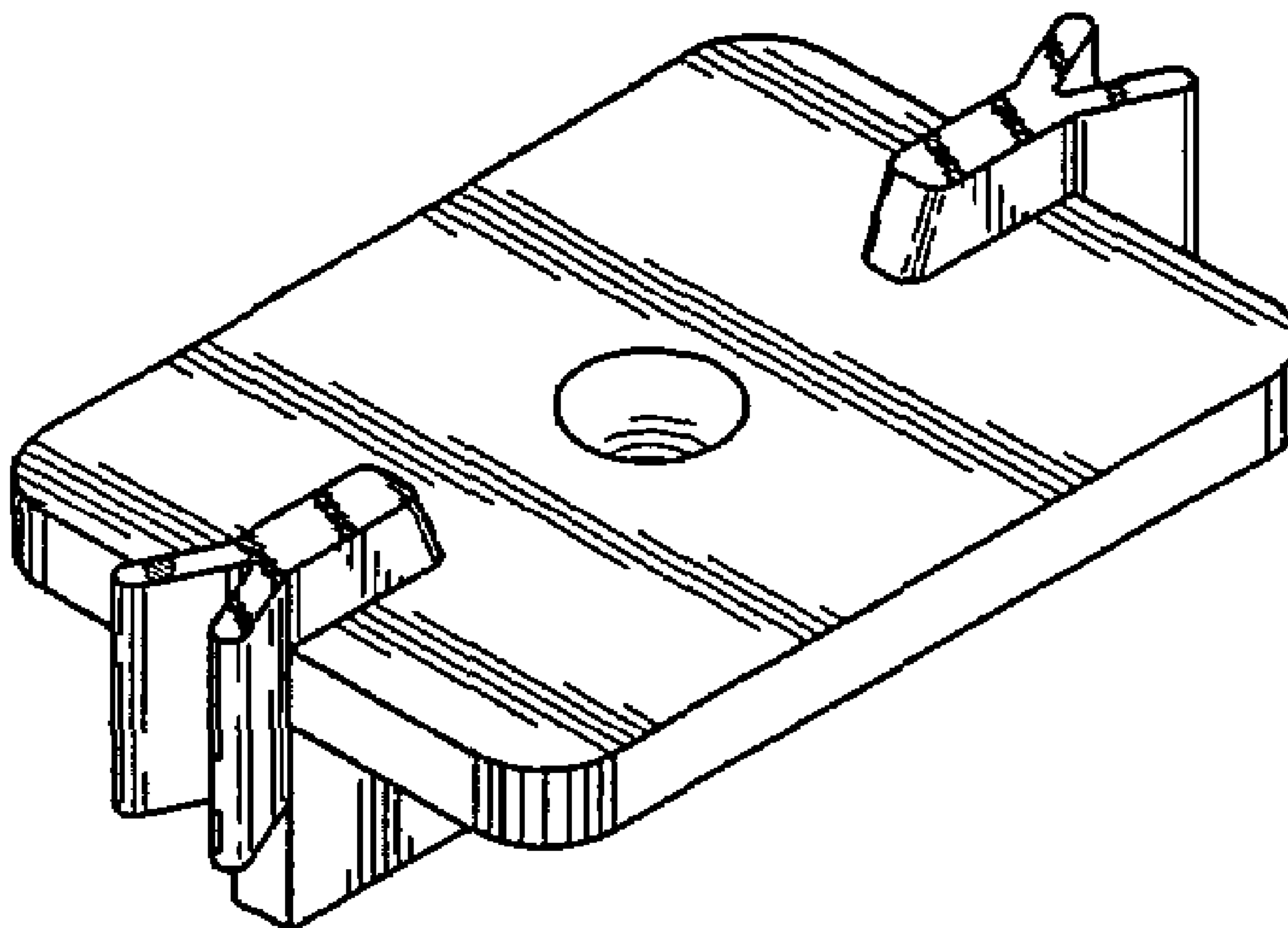


Fig. 1

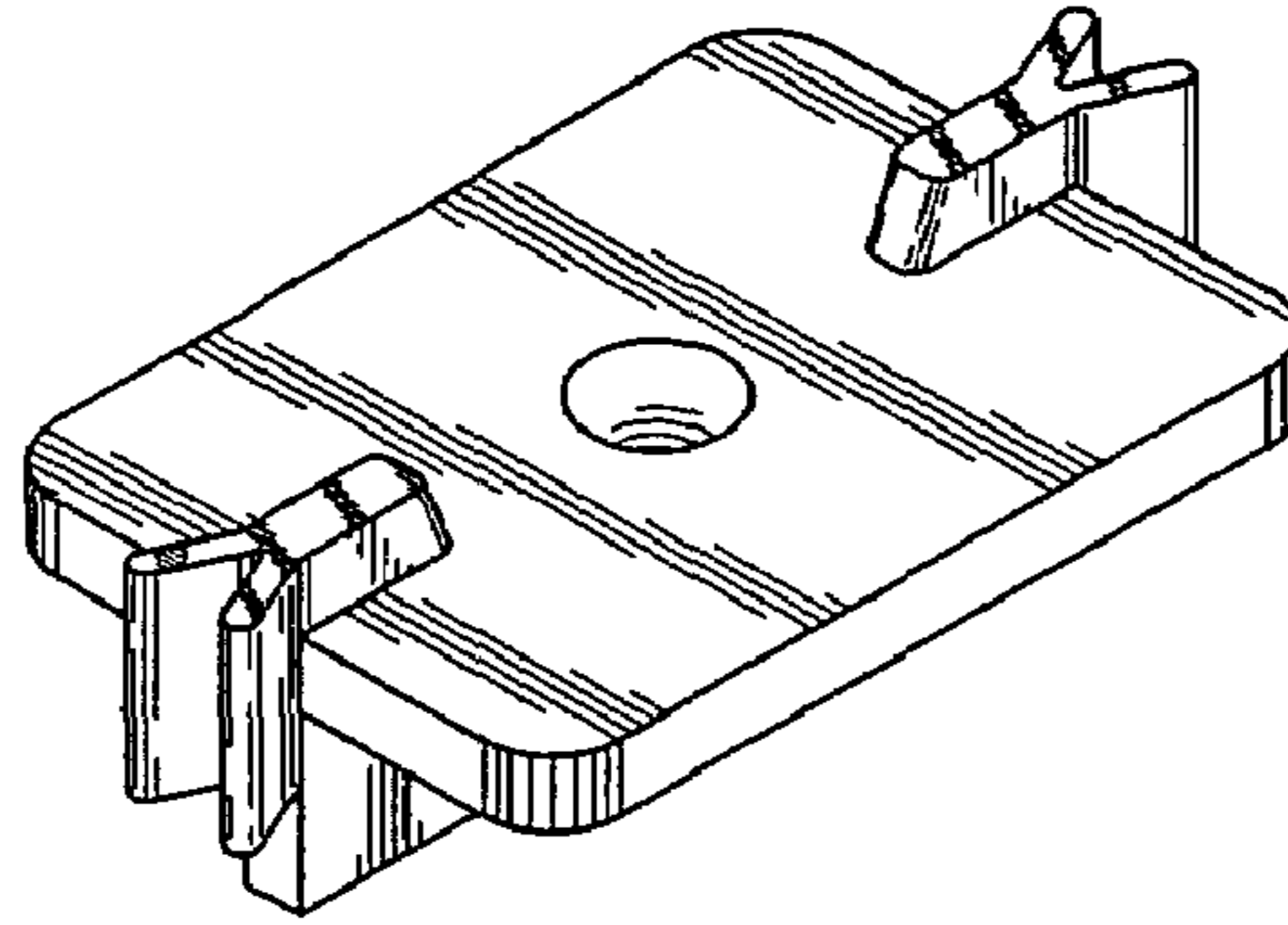


Fig. 2

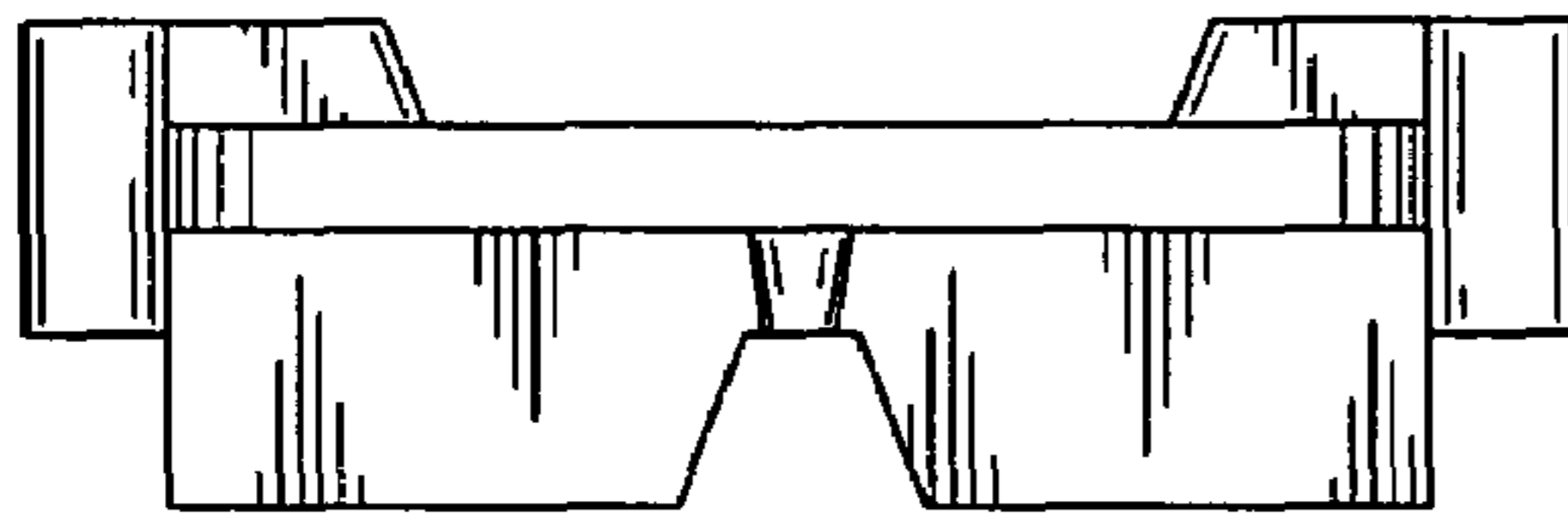


Fig. 3

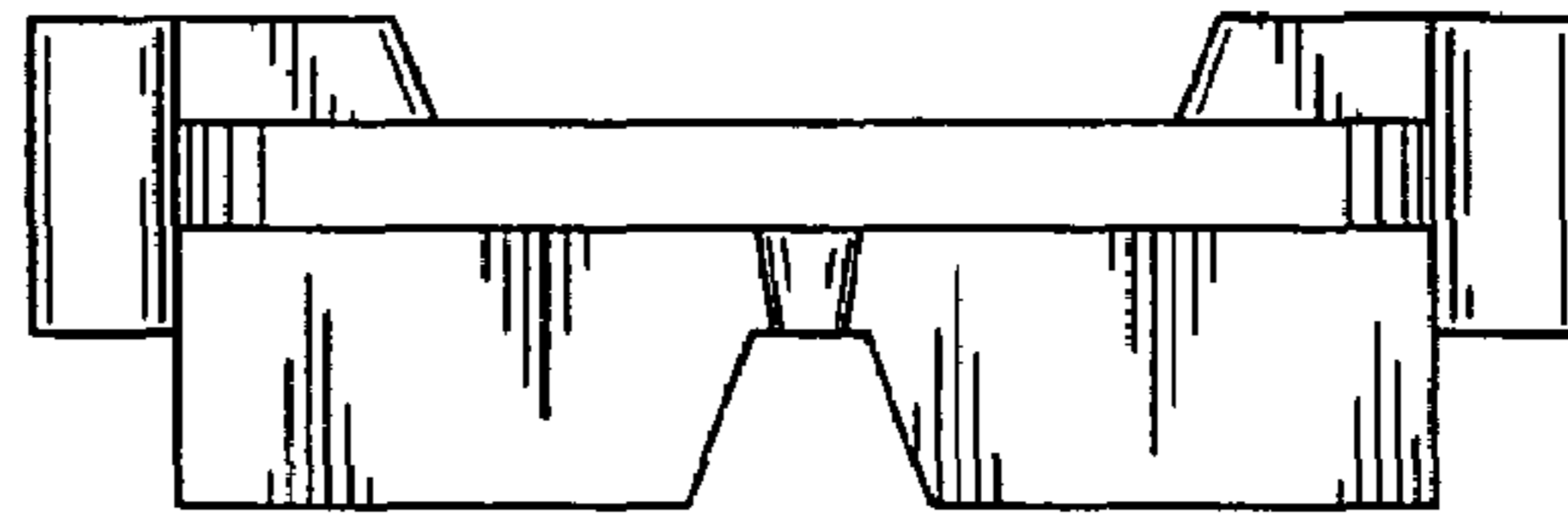


Fig. 4

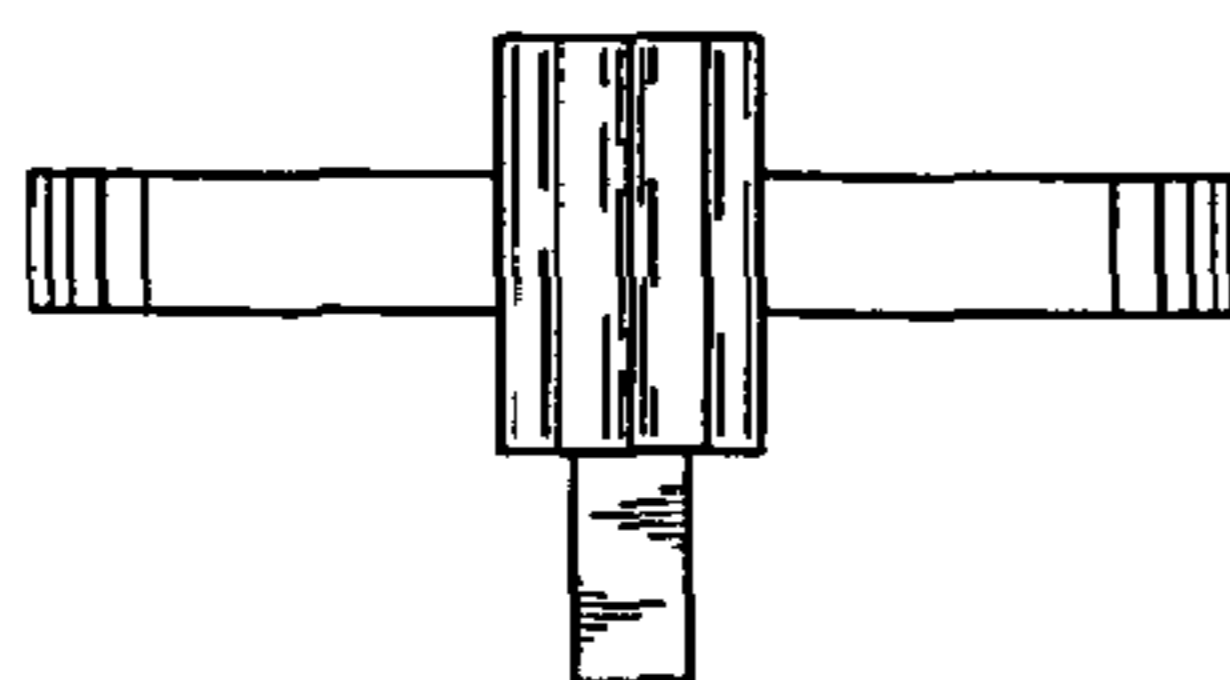


Fig. 5

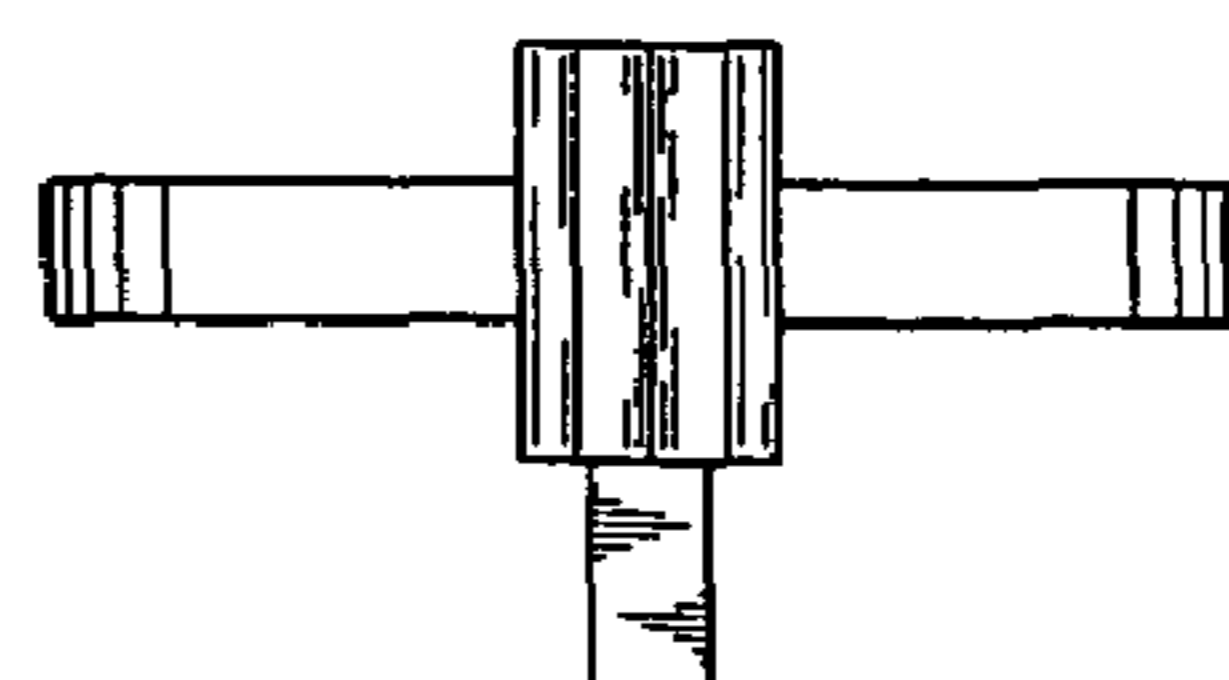


Fig. 6

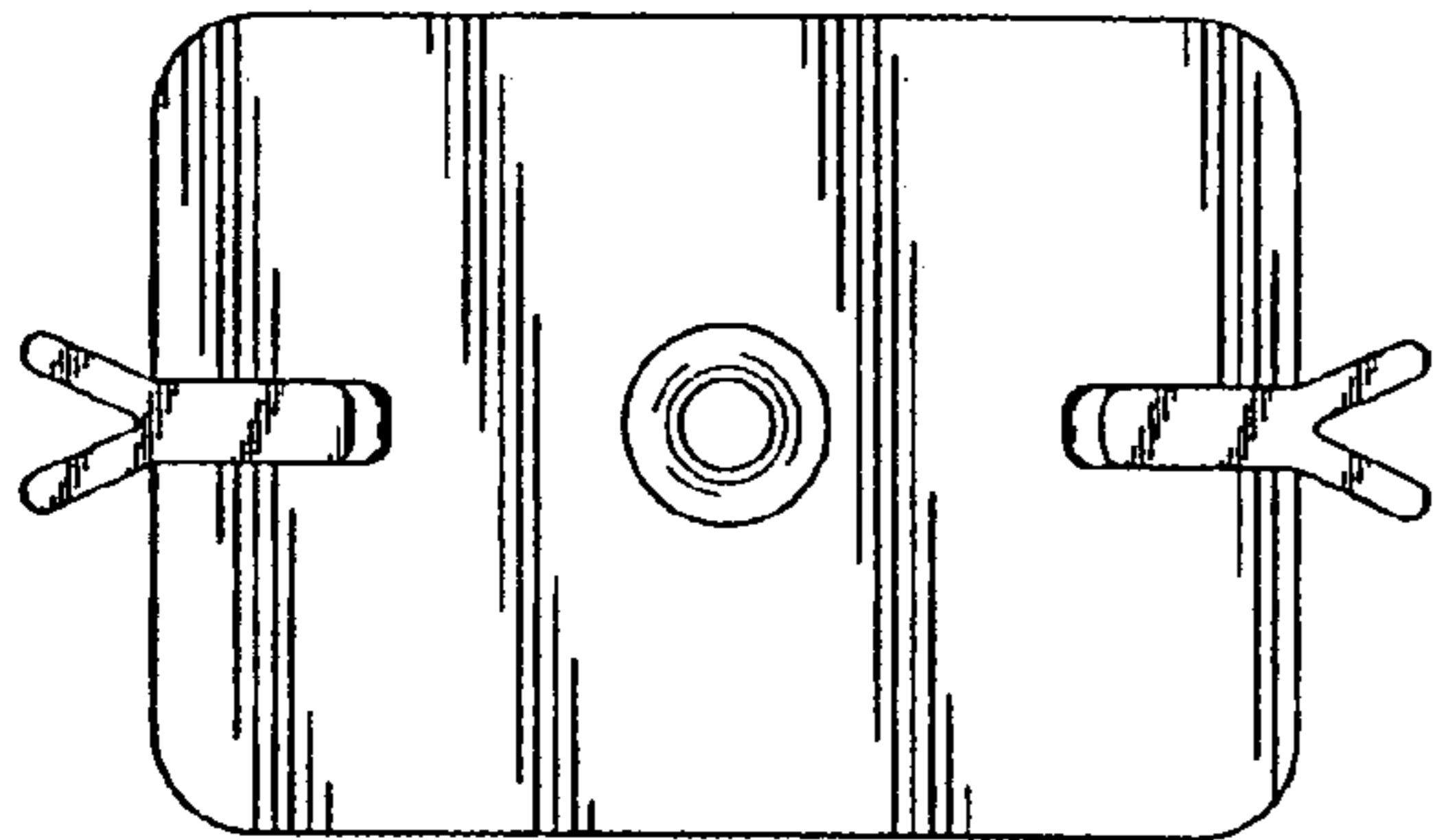


Fig. 7

