

US00D547168S

(12) **United States Design Patent**
Churchill

(10) **Patent No.:** **US D547,168 S**

(45) **Date of Patent:** **** Jul. 24, 2007**

(54) **FASTENER RECEPTACLE**

(75) Inventor: **Chris Churchill**, Godalming (GB)

(73) Assignee: **Southco, Inc.**, Concordville, PA (US)

(**) Term: **14 Years**

(21) Appl. No.: **29/225,405**

(22) Filed: **Mar. 15, 2005**

(51) **LOC (8) Cl.** **08-08**

(52) **U.S. Cl.** **D8/382**

(58) **Field of Classification Search** D8/382,
D8/211, 371, 394-395; 411/81, 45-48, 55,
411/61

See application file for complete search history.

(56) **References Cited**

U.S. PATENT DOCUMENTS

4,128,923	A *	12/1978	Bisbing	411/552
4,308,646	A *	1/1982	Schenk	411/554
D342,011	S *	12/1993	Maguire	D8/349
D420,566	S *	2/2000	Ely et al.	D8/354
6,283,689	B1 *	9/2001	Roytberg et al.	411/61
D492,888	S *	7/2004	Wilson	D8/349
D516,904	S *	3/2006	Kendrick	D8/395

* cited by examiner

Primary Examiner—Holly H. Baynham
Assistant Examiner—Sheryl Friedman
(74) *Attorney, Agent, or Firm*—Paul & Paul

(57) **CLAIM**

The ornamental design for a fastener receptacle, as shown and described.

DESCRIPTION

FIG. 1 is a right side perspective view of the fastener receptacle of the present invention viewed from the bottom; FIG. 2 is a right side perspective view of the fastener receptacle of FIG. 1 viewed from the bottom;

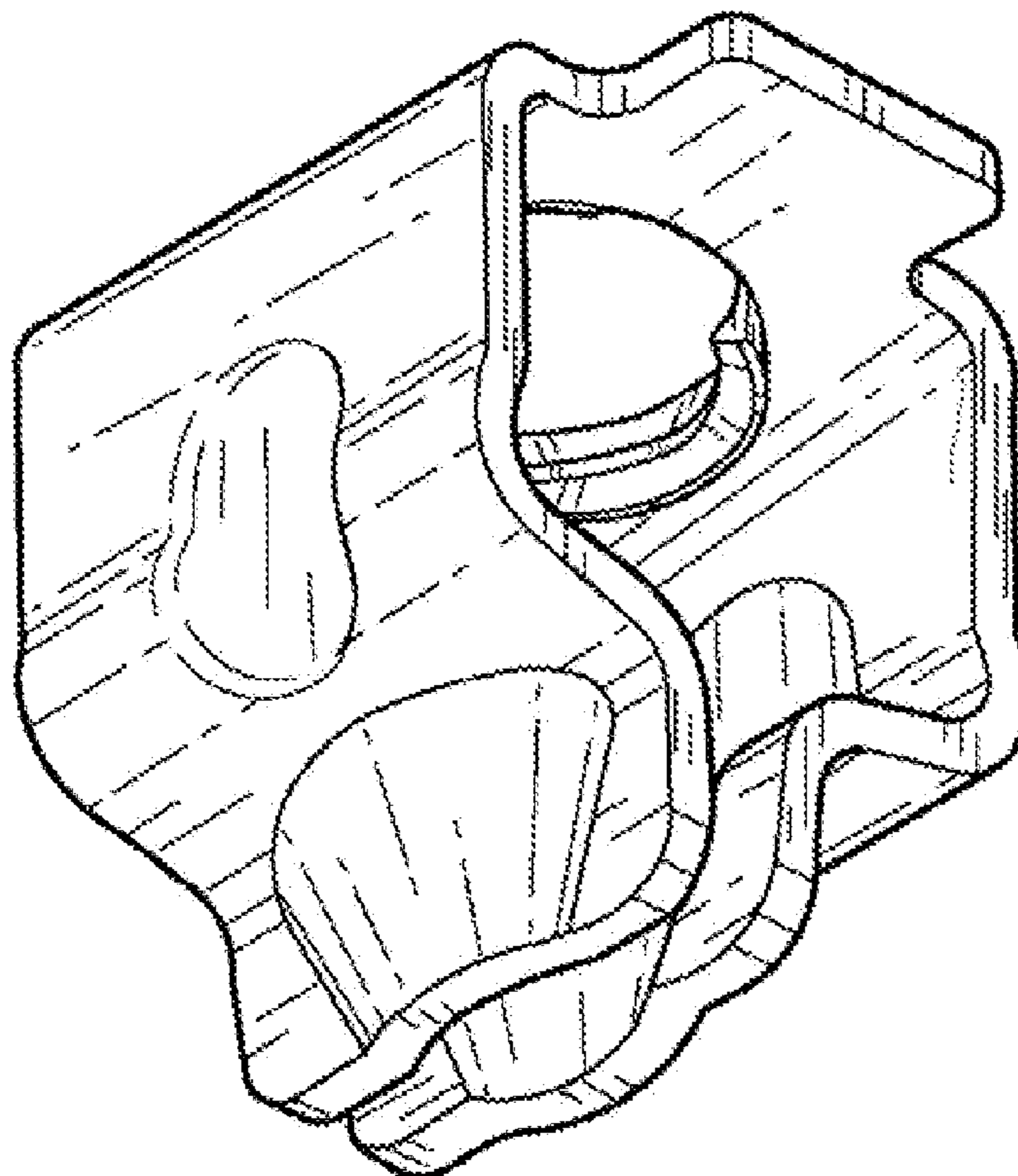
FIG. 3 is a right side perspective view of the fastener receptacle of FIG. 1 viewed from the top;

FIG. 4 is a front side perspective view of the fastener receptacle of FIG. 1 viewed from the top;

FIG. 5 is a rear side elevation view of the fastener receptacle of FIG. 1; and,

FIG. 6 is a rear side perspective view of the fastener receptacle of FIG. 1 viewed from the bottom.

1 Claim, 3 Drawing Sheets



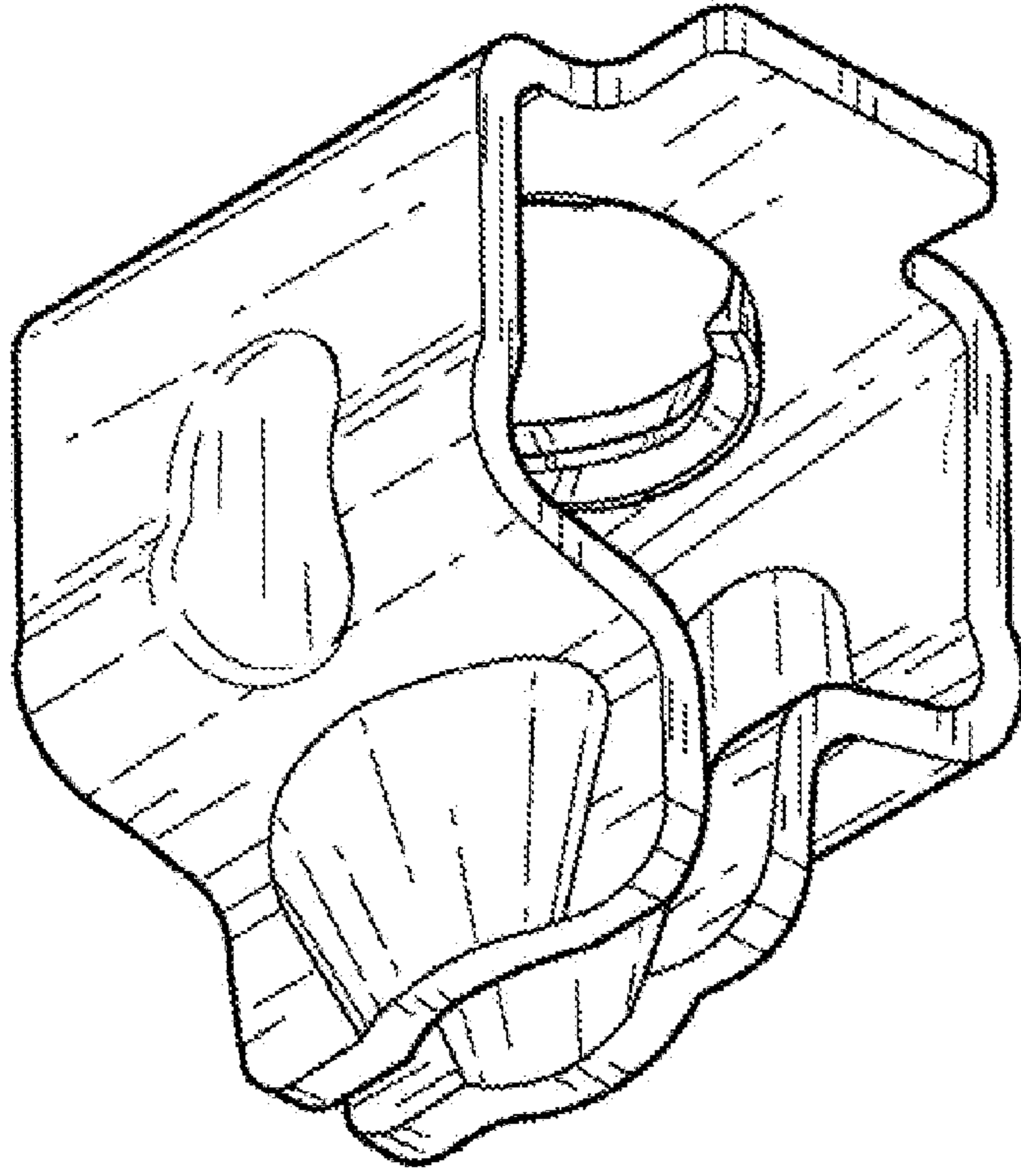


FIG. 1

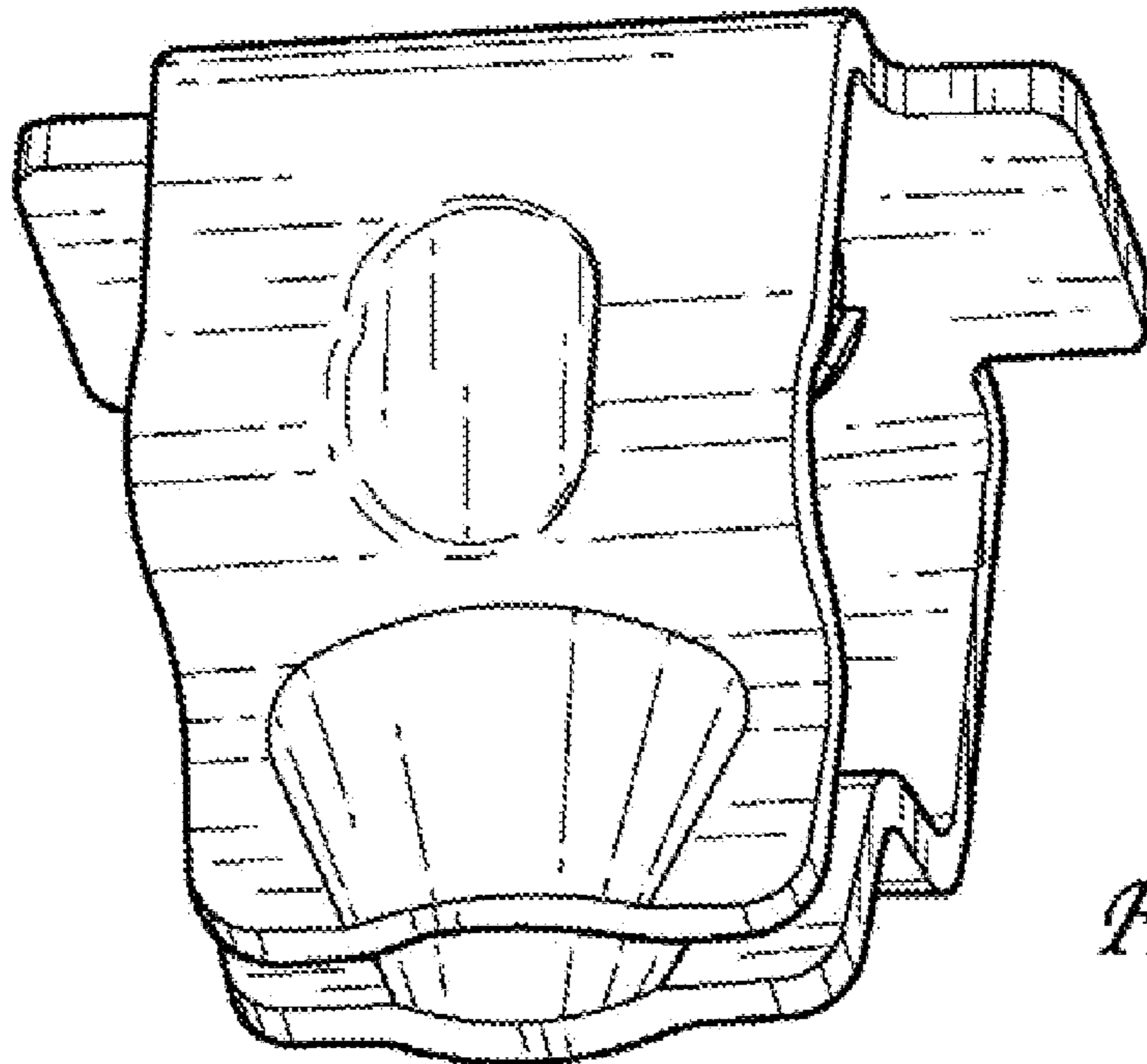


FIG. 2

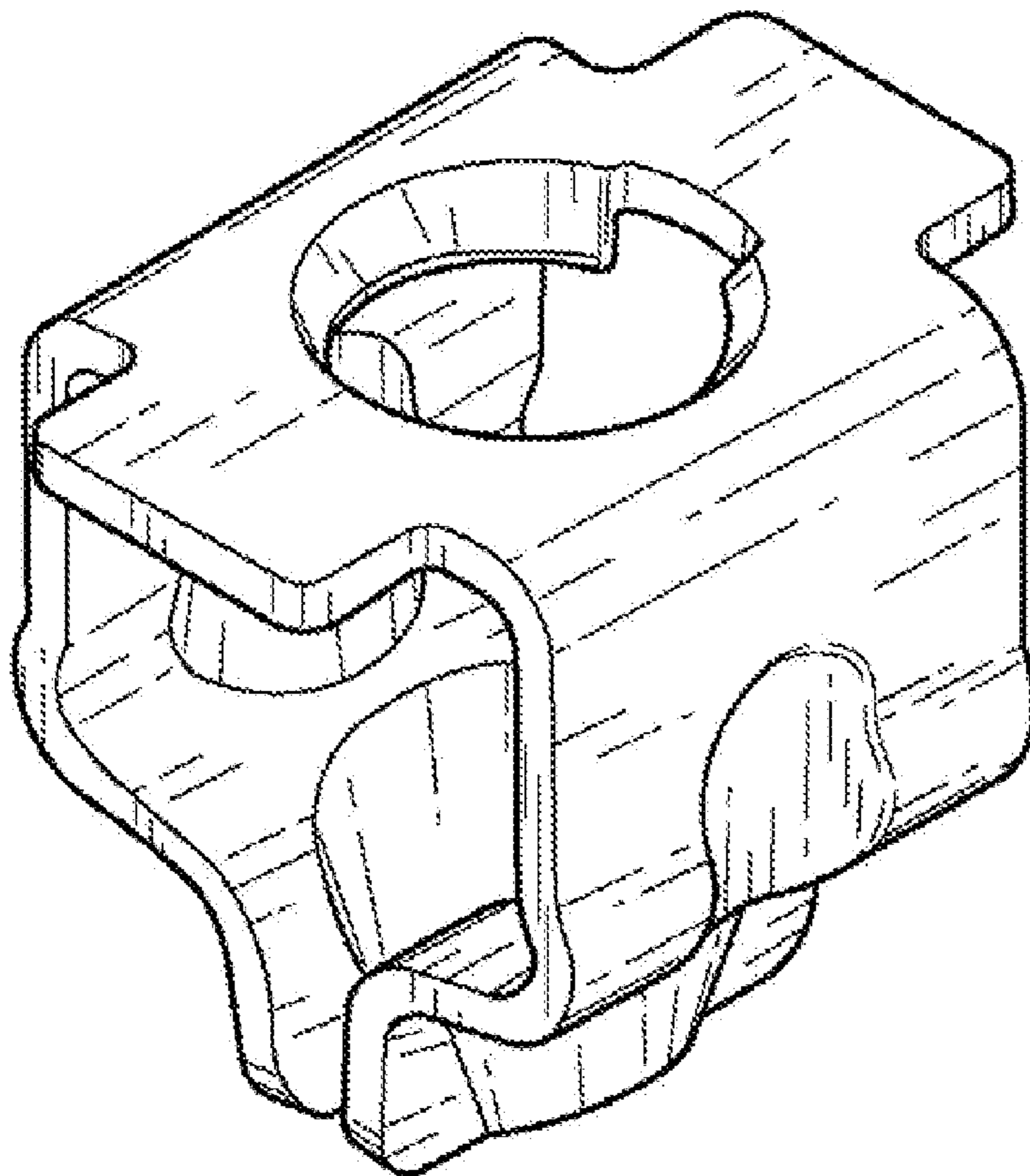


FIG. 3

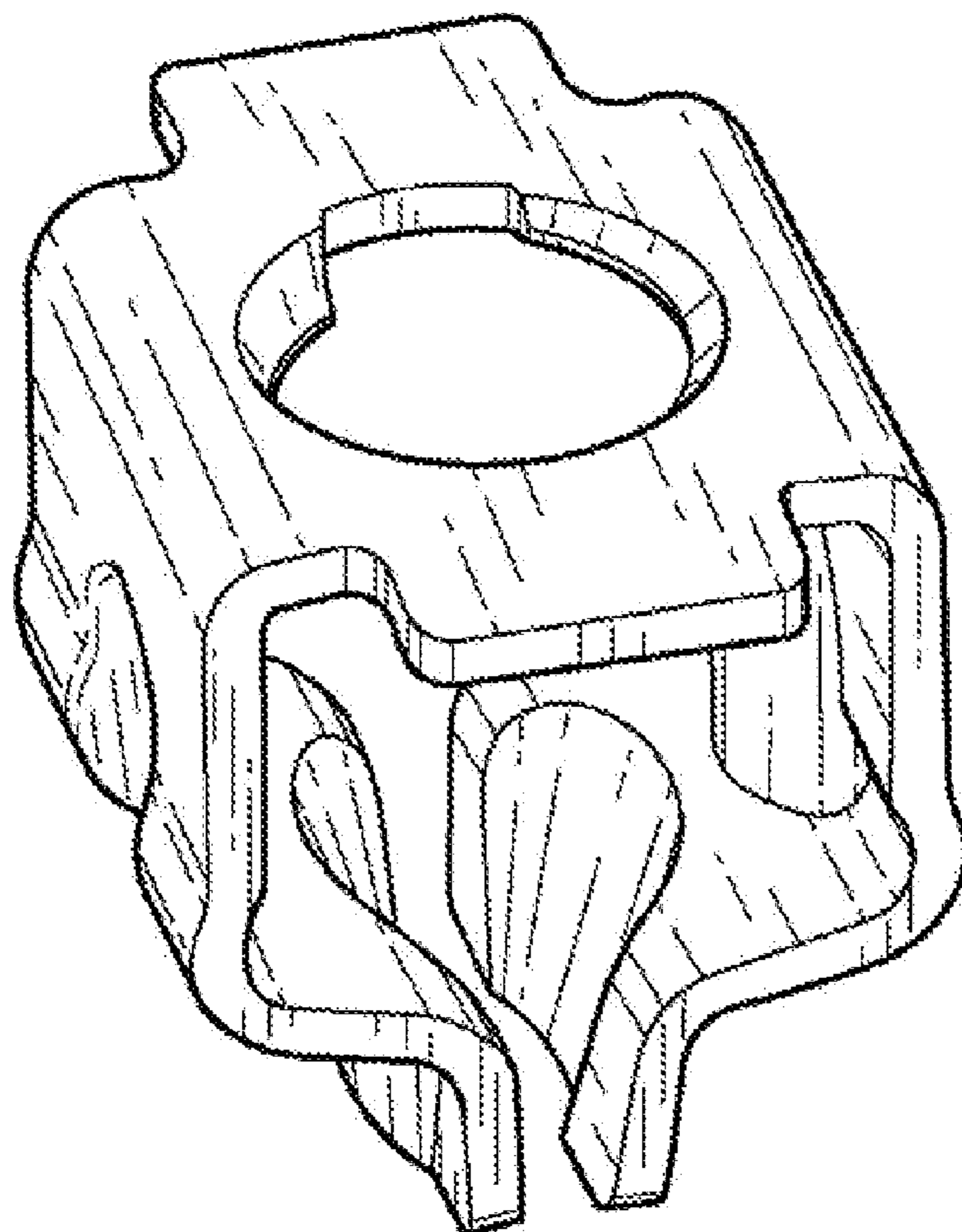


FIG. 4

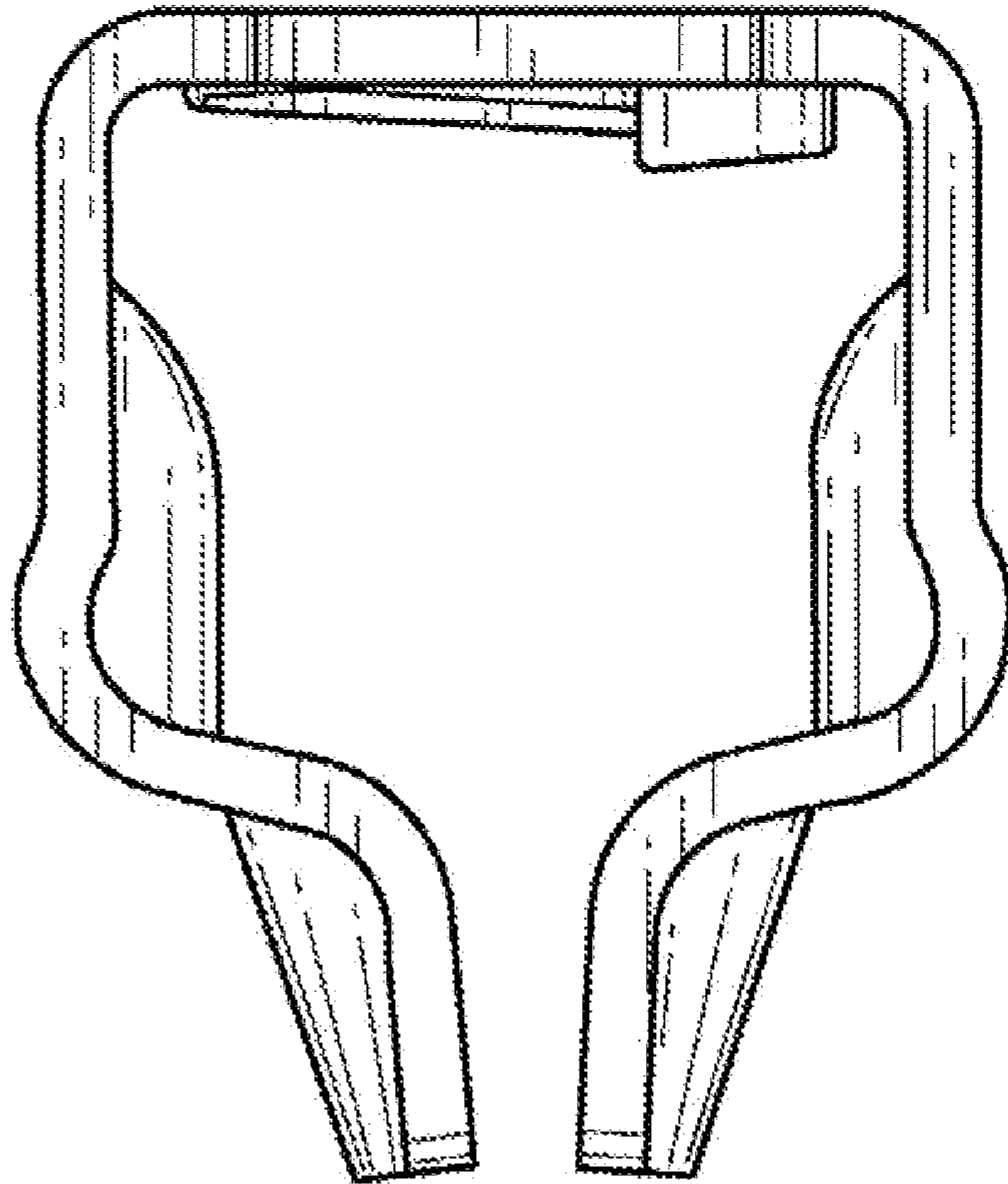


FIG. 5

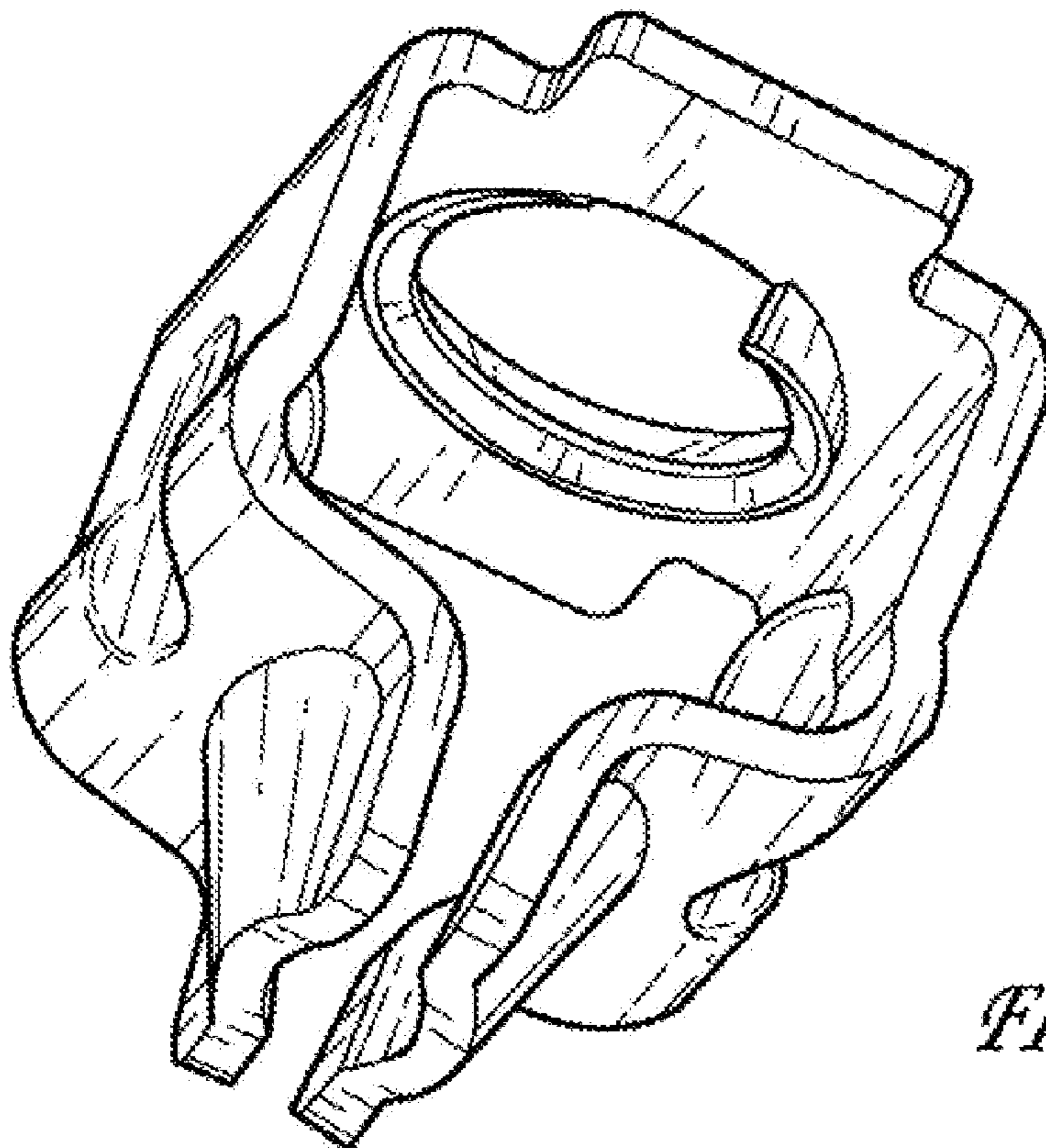


FIG. 6