



US00D547166S

(12) **United States Design Patent**
Barrese

(10) **Patent No.:** **US D547,166 S**

(45) **Date of Patent:** **** Jul. 24, 2007**

(54) **FINIAL FOR CURTAIN ROD**

(75) Inventor: **Charles Barrese**, Huntington, NY (US)

(73) Assignee: **Ex-Cell Home Fashions, Inc.**, New York, NY (US)

(**) Term: **14 Years**

(21) Appl. No.: **29/269,813**

(22) Filed: **Dec. 8, 2006**

(51) **LOC (8) Cl.** **08-05**

(52) **U.S. Cl.** **D8/380; D8/378**

(58) **Field of Classification Search** D8/380,
D8/373, 376, 307, 353, 352, 367, 378, 310;
D23/250, 238; D26/154; 248/262, 261,
248/264, 251, 200; 160/348; 211/105.1,
211/105.2; D6/550

See application file for complete search history.

(56) **References Cited**

U.S. PATENT DOCUMENTS

- D341,511 S * 11/1993 McKeone D6/550
- D392,177 S * 3/1998 Ouellette, Sr. D8/380
- D476,064 S * 6/2003 Smith D23/250
- D518,323 S * 4/2006 Qu et al. D6/550

* cited by examiner

Primary Examiner—Robert M. Spear

Assistant Examiner—Susan Bennett Hattan

(74) *Attorney, Agent, or Firm*—Robert L. Epstein; Epstein Drangel Bazerman & James, LLP

(57) **CLAIM**

The ornamental design for a finial for curtain rod, substantially as shown and described.

DESCRIPTION

FIG. 1 is an isometric view showing the top and side of my invention;

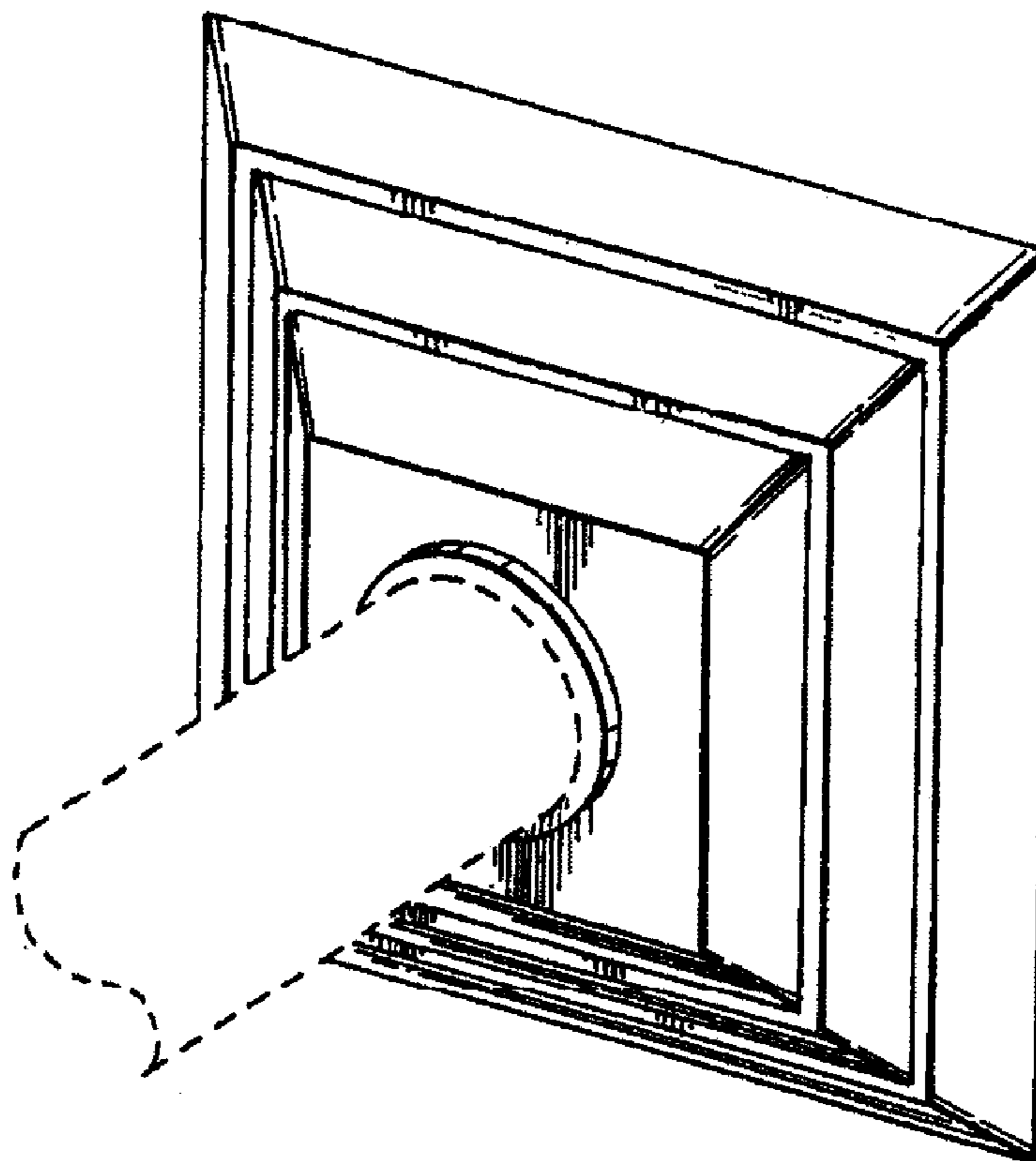
FIG. 2 is an elevation view showing the side of my invention;

FIG. 3 is an elevation view showing the top of my invention; and,

FIG. 4 is an elevation view showing the bottom of my invention.

The broken line showing of a curtain rod in FIGS. 1 and 3 is included for the purpose of illustrating environment only and forms no part of the claimed design. The broken lines in FIG. 4 define the boundary of the claimed design and form no part of the claimed design.

1 Claim, 1 Drawing Sheet



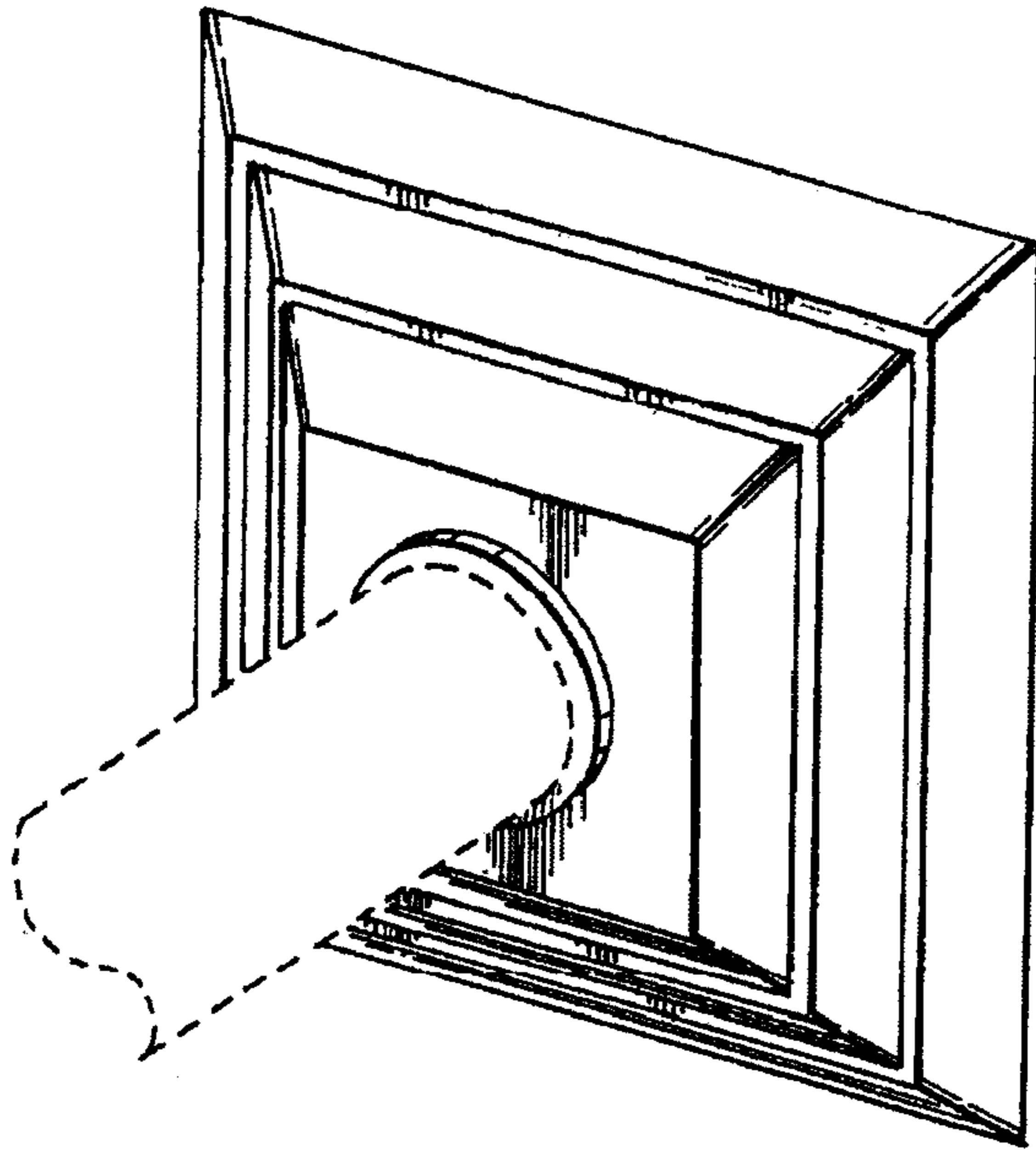


Fig. 1

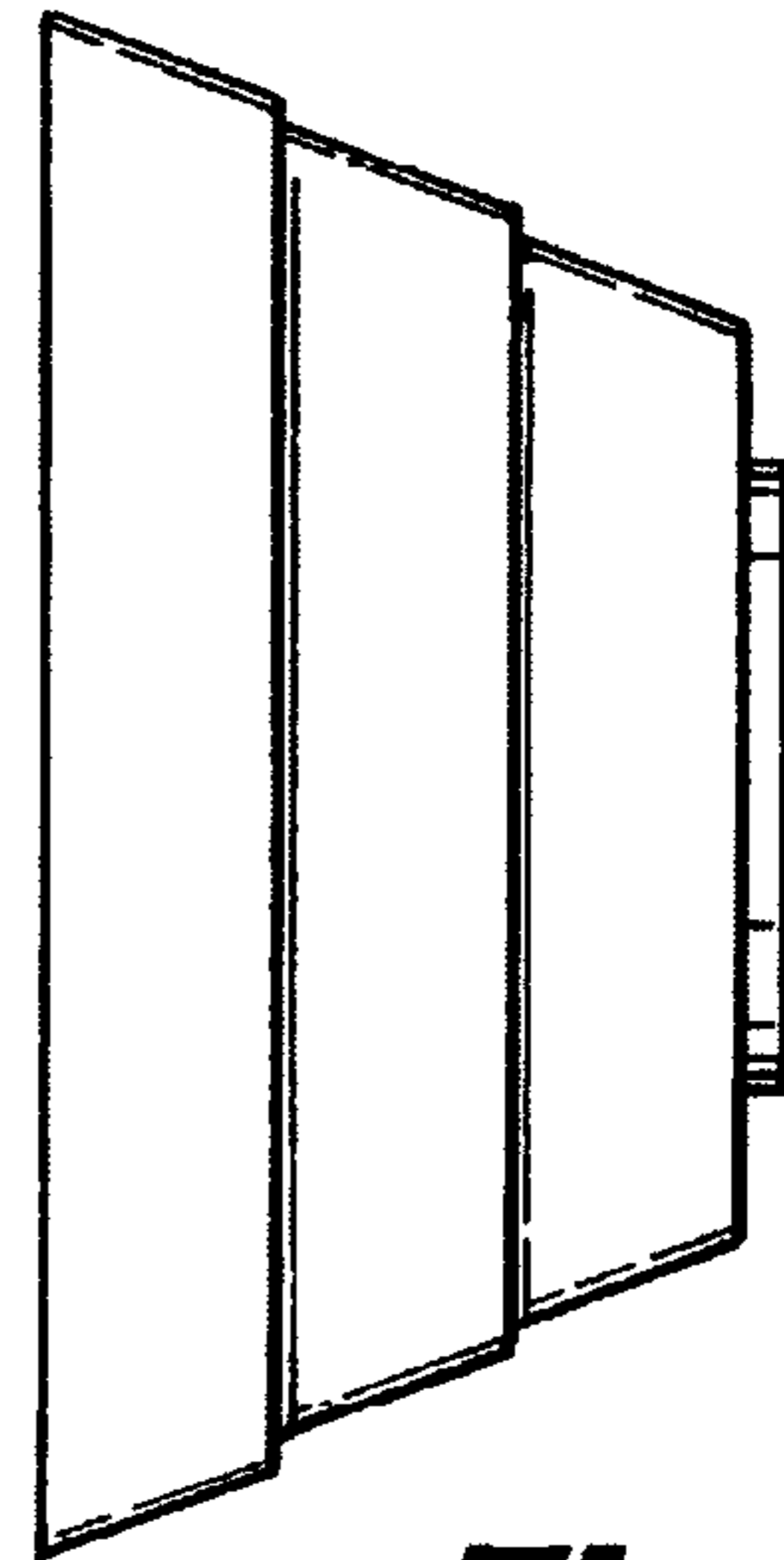


Fig. 2

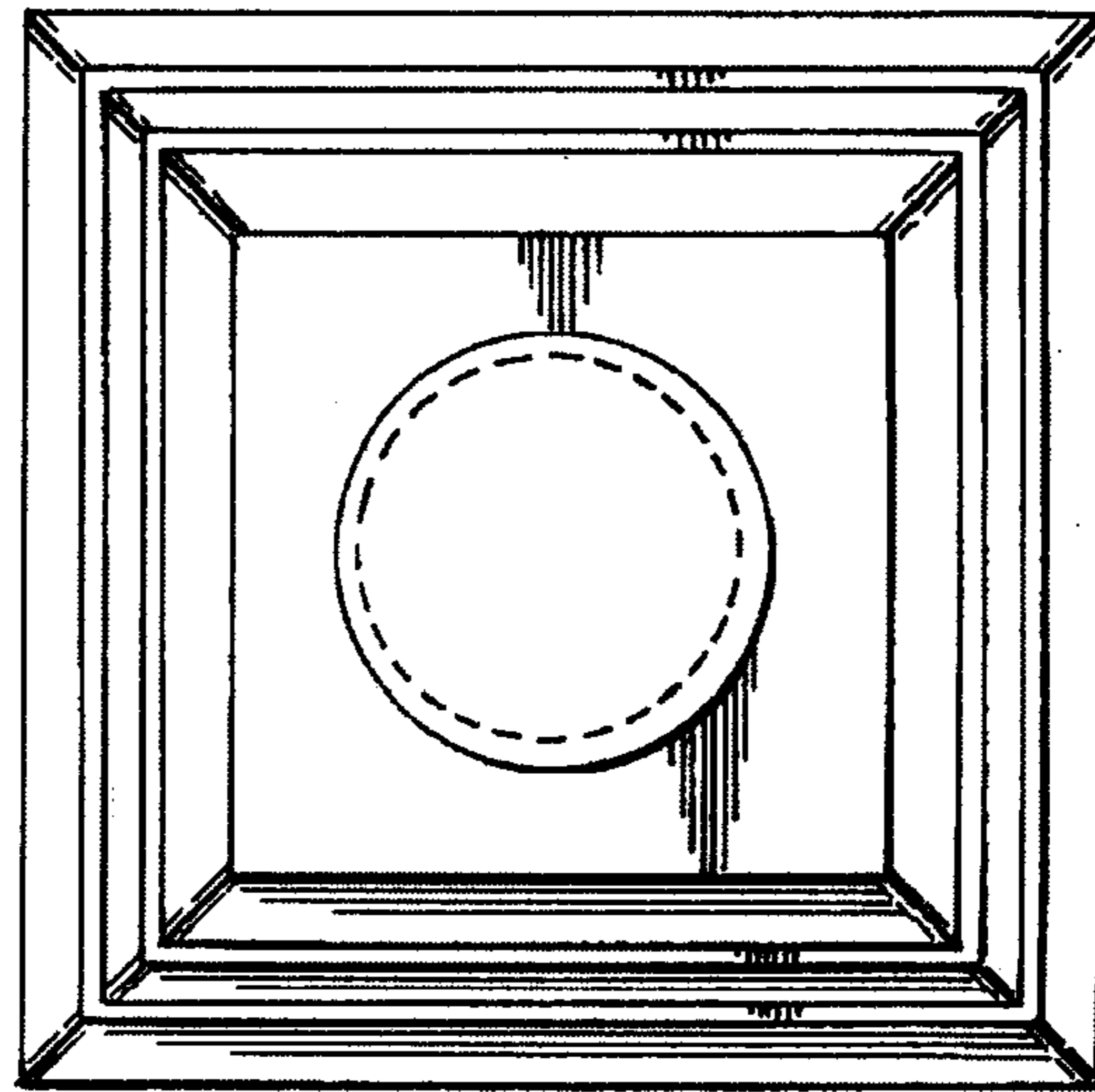


Fig. 3

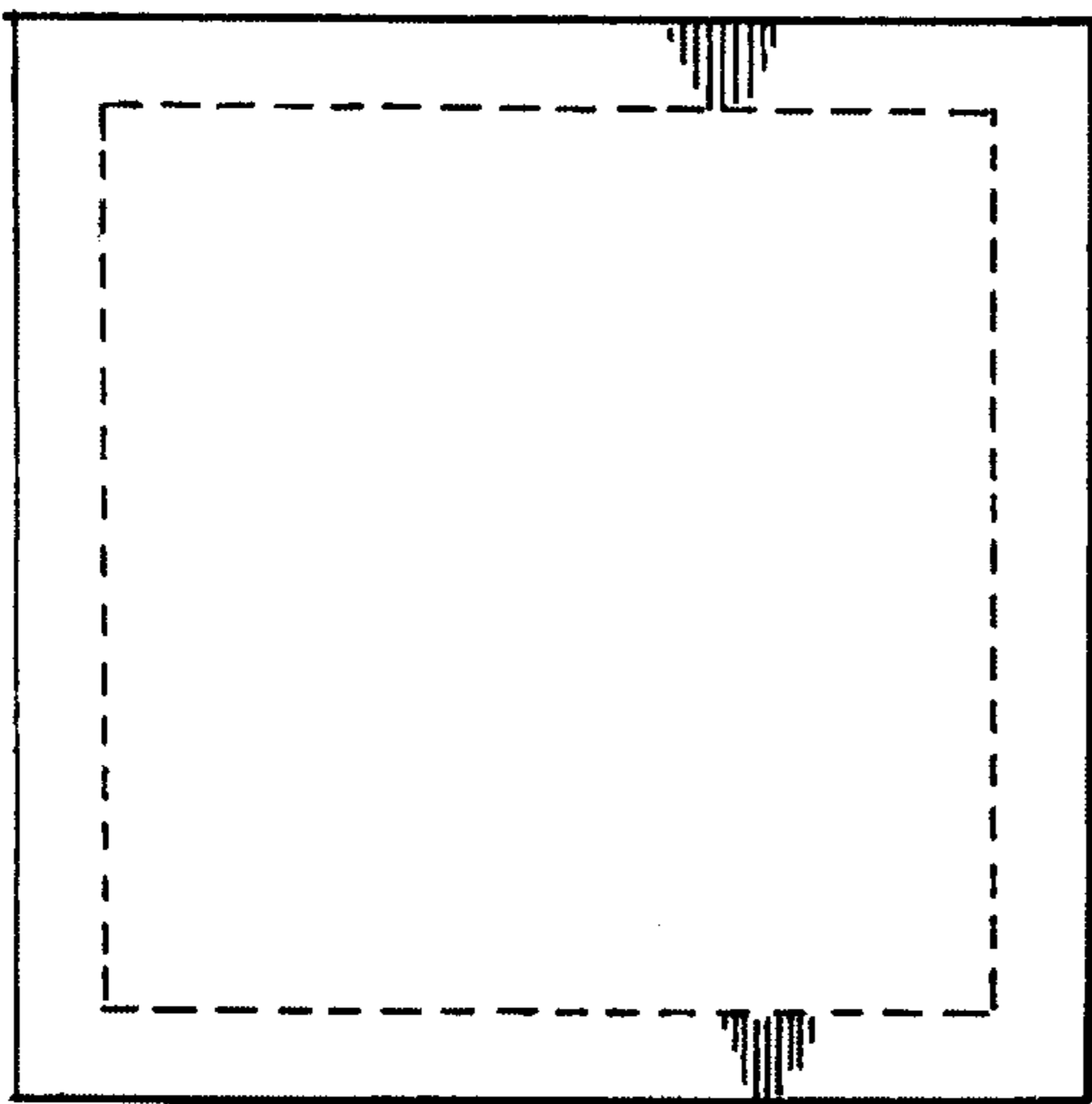


Fig. 4