

US00D547164S

(12) **United States Design Patent**
Xayoiphonh

(10) **Patent No.:** **US D547,164 S**

(45) **Date of Patent:** **** Jul. 24, 2007**

(54) **BRACKET**

(75) Inventor: **Phaysouk Xayoiphonh**, Ocala, FL (US)

(73) Assignee: **Clairson, Inc.**, Newark, DE (US)

(**) Term: **14 Years**

(21) Appl. No.: **29/253,686**

(22) Filed: **Feb. 10, 2006**

(51) **LOC (8) Cl.** **08-05**

(52) **U.S. Cl.** **D8/363**

(58) **Field of Classification Search** D8/354,
D8/363; 248/221.11, 220.41, 220.42, 220.43
See application file for complete search history.

(56) **References Cited**

U.S. PATENT DOCUMENTS

2,891,678	A	6/1959	Levy	
3,122,238	A	2/1964	Brunette	
3,229,823	A	1/1966	Hummer	
3,495,718	A	2/1970	Romero	
3,712,698	A	1/1973	Propst et al.	
4,109,797	A	8/1978	Brunette	
4,122,955	A	10/1978	Celms	
4,151,917	A	5/1979	Pugh	
4,387,872	A	6/1983	Hogue	
4,401,222	A	8/1983	Kulikowski et al.	
4,697,776	A	10/1987	Edson	
4,854,535	A	8/1989	Winter et al.	
5,385,335	A	1/1995	Wurdack	
D408,721	S *	4/1999	Sartini	D8/363
D408,722	S *	4/1999	Sartini	D8/363

D416,471 S 11/1999 Wurdack
6,726,035 B2 4/2004 Zadak
D495,588 S 9/2004 Wurdack

* cited by examiner

Primary Examiner—Holly H. Baynham

(74) *Attorney, Agent, or Firm*—Harness, Dickey & Pierce, P.L.C.

(57) **CLAIM**

The ornamental design for a bracket, as shown and described.

DESCRIPTION

FIG. 1 is a perspective view of a bracket, showing my new design;

FIG. 2 is a back perspective view thereof;

FIG. 3 is a front elevation view thereof;

FIG. 4 is a back elevation view thereof;

FIG. 5 is a right side elevation view thereof;

FIG. 6 is a left side elevation view thereof;

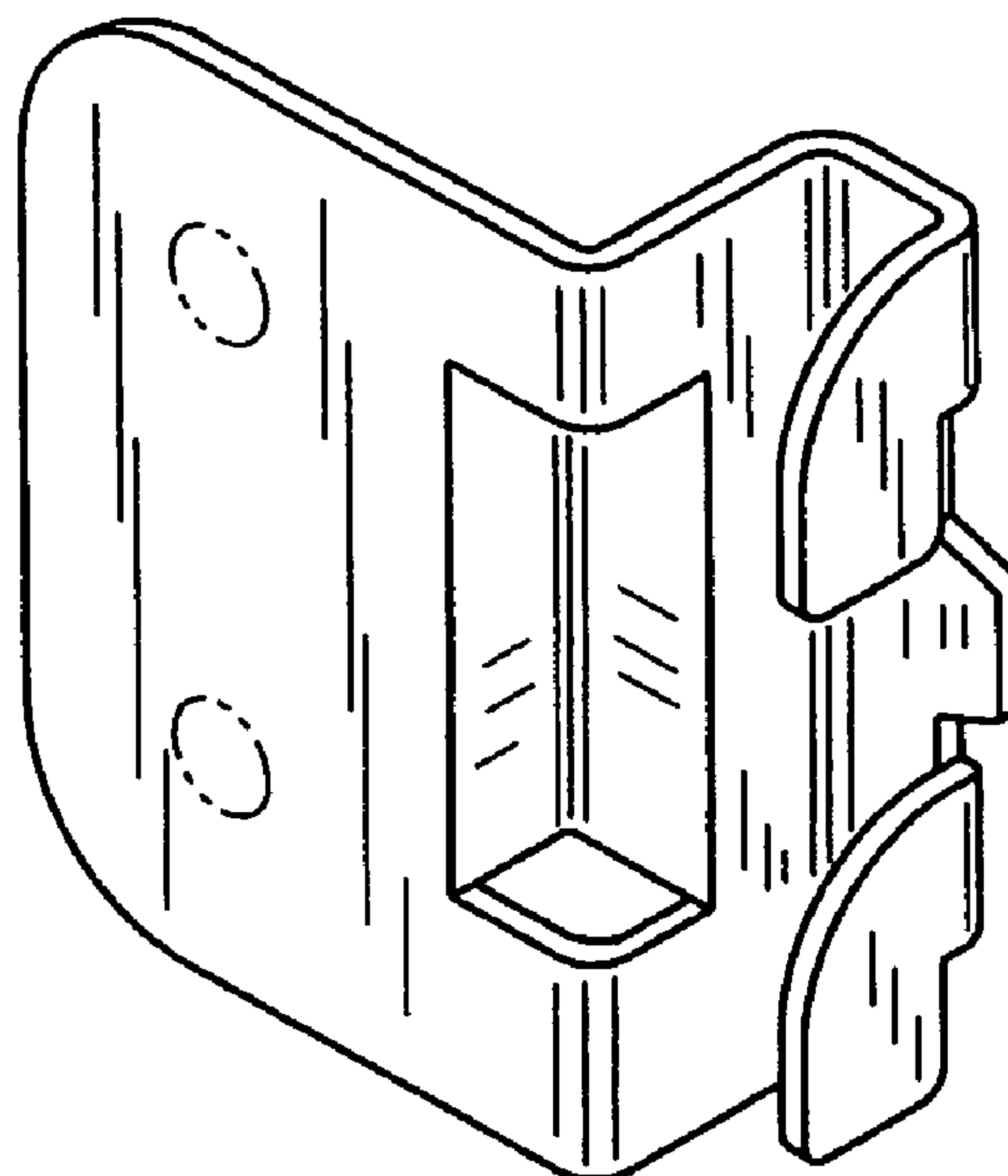
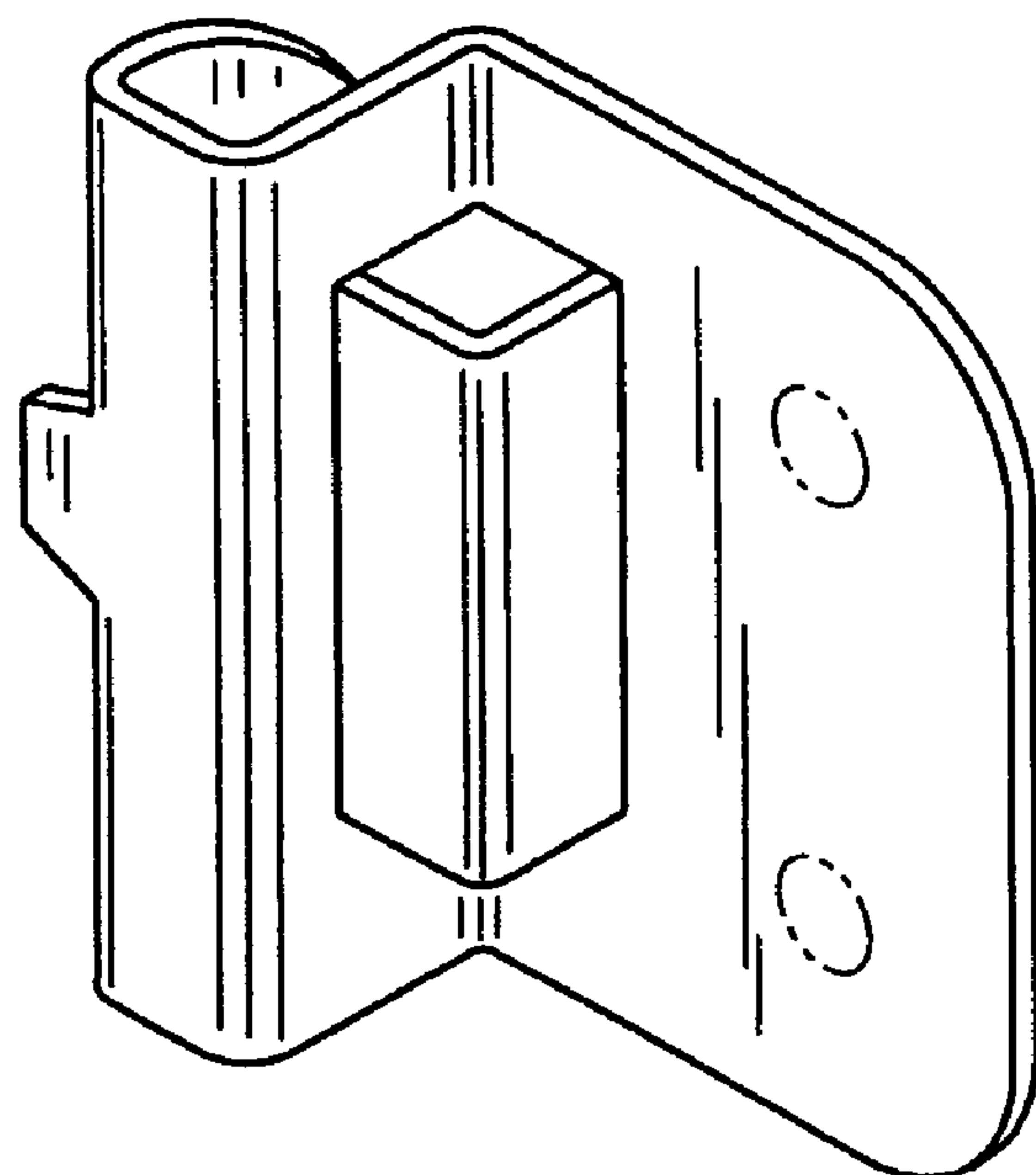
FIG. 7 is a top plan view thereof;

FIG. 8 is a bottom plan view of thereof; and,

FIG. 9 is an exploded perspective view showing the bracket of FIGS. 1 through 8 being used, by way of example only, with an exemplary wall standard and L-shaped member.

The details shown in broken lines are for illustrative purposes only and form no part of the claimed design.

1 Claim, 2 Drawing Sheets



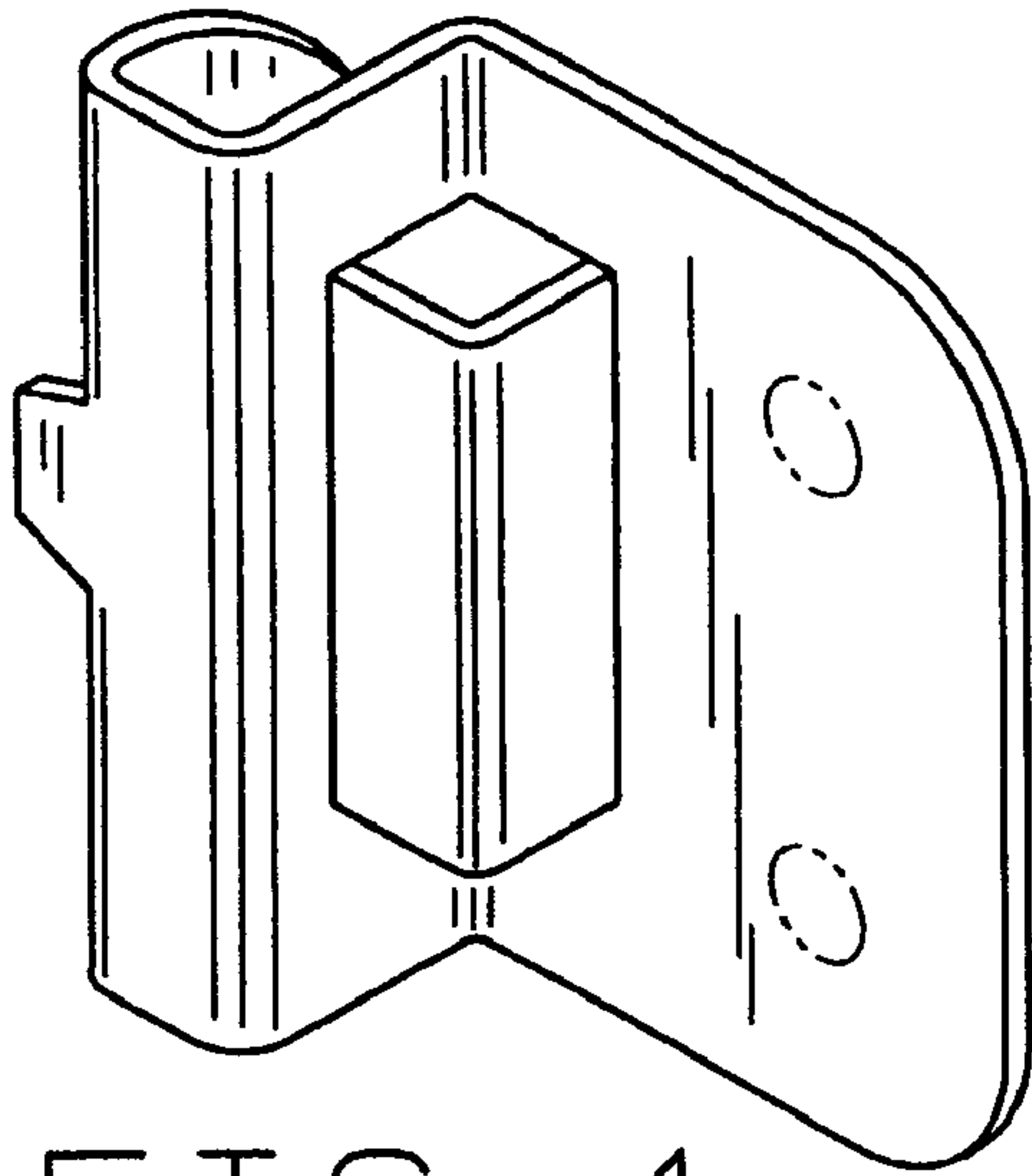


FIG. 1

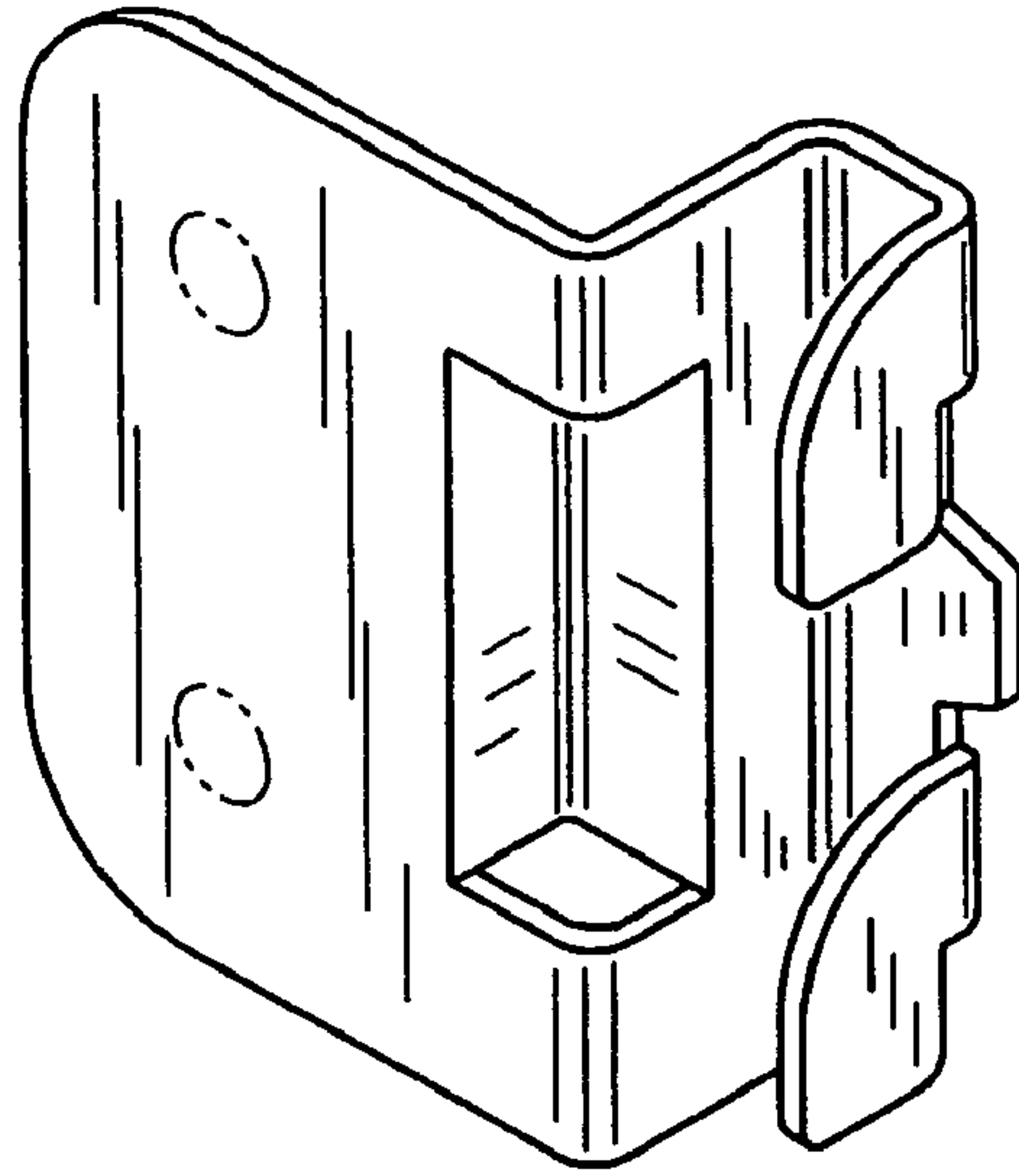


FIG. 2

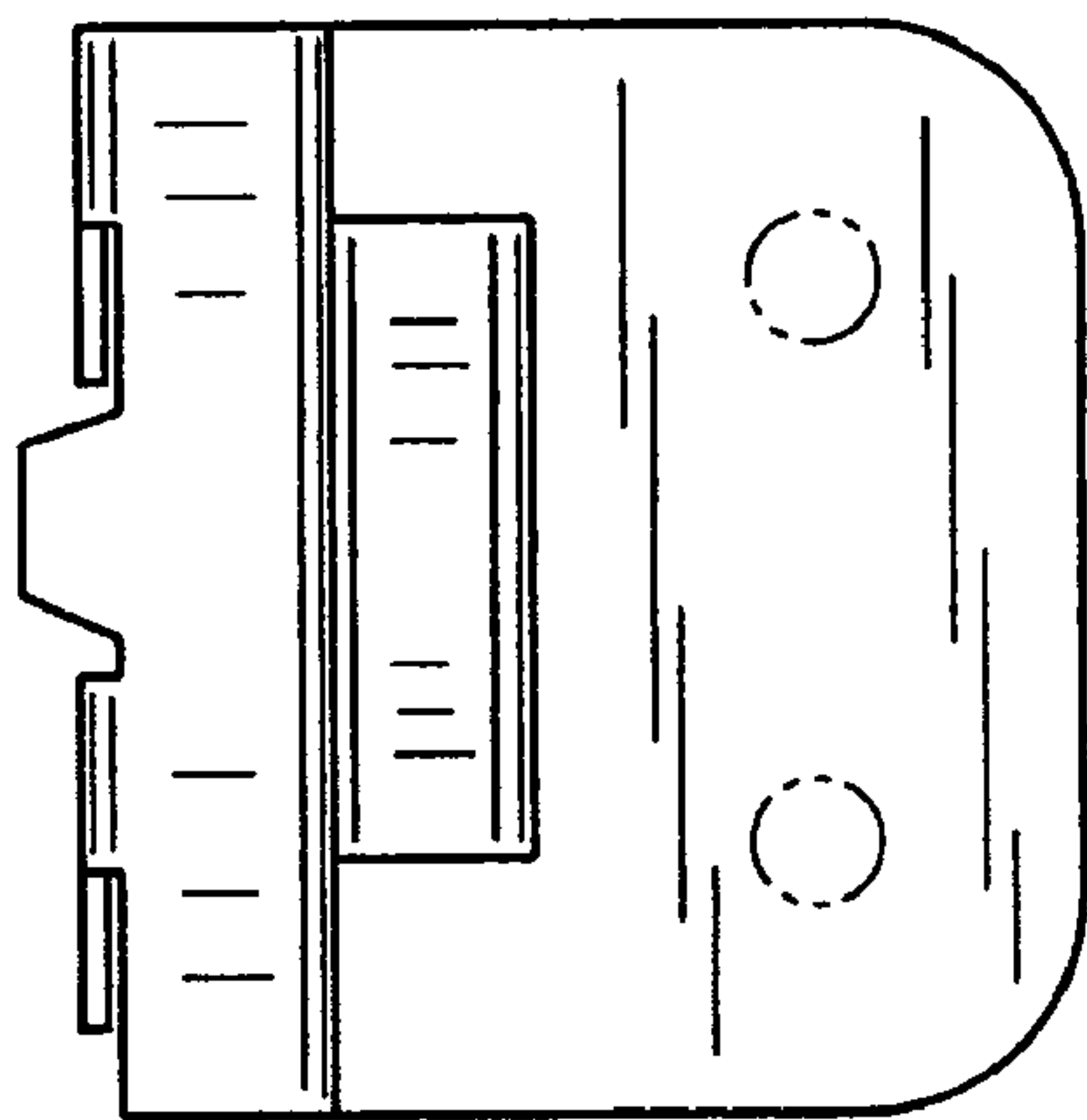


FIG. 3

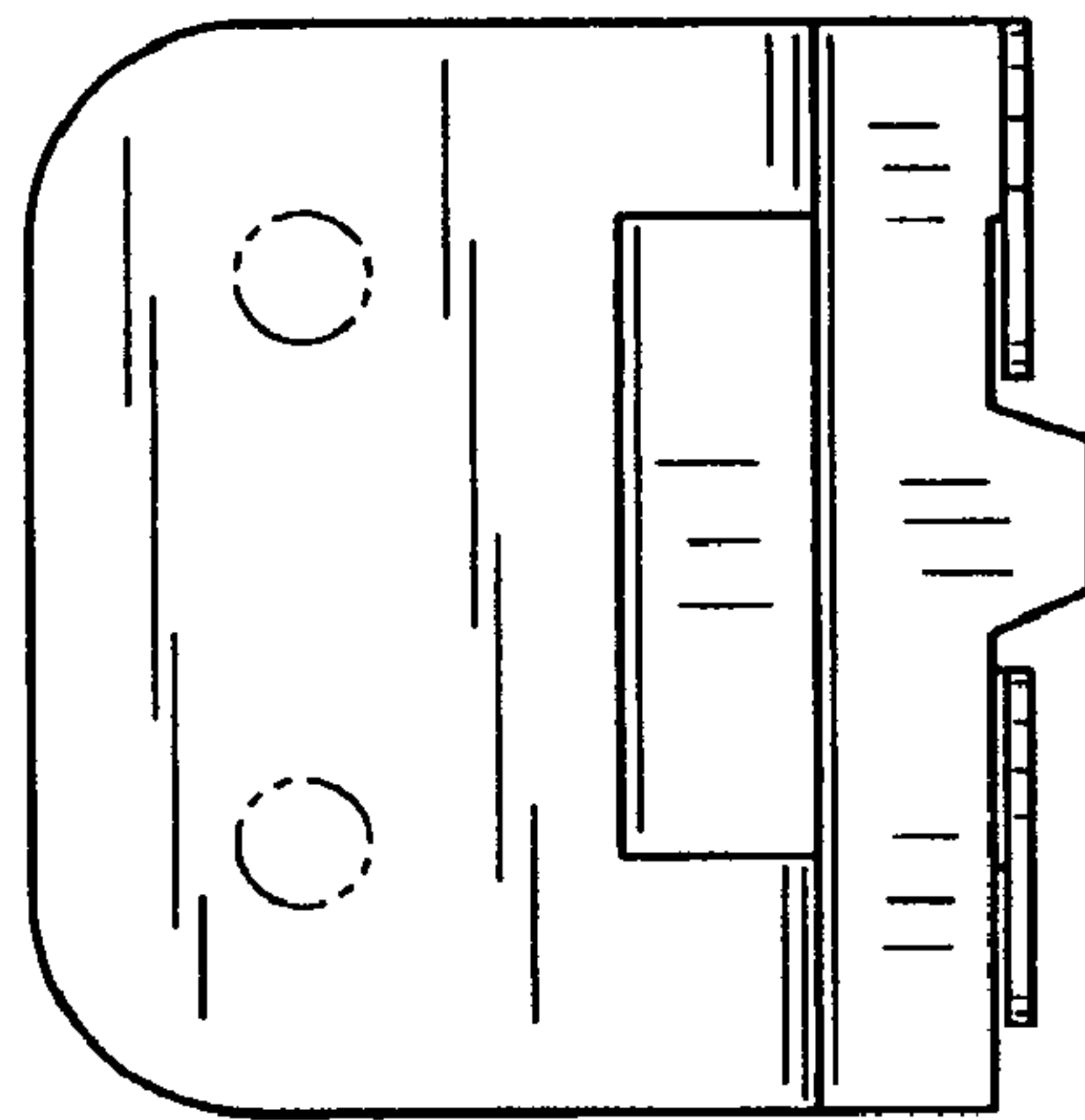


FIG. 4

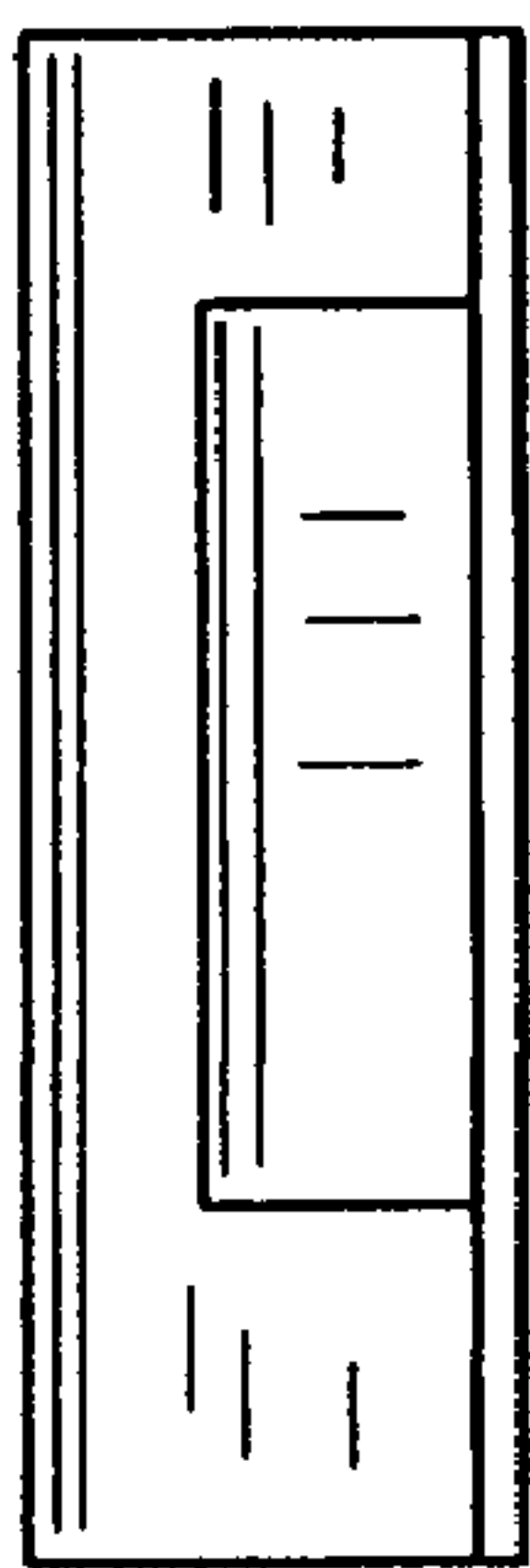


FIG. 5

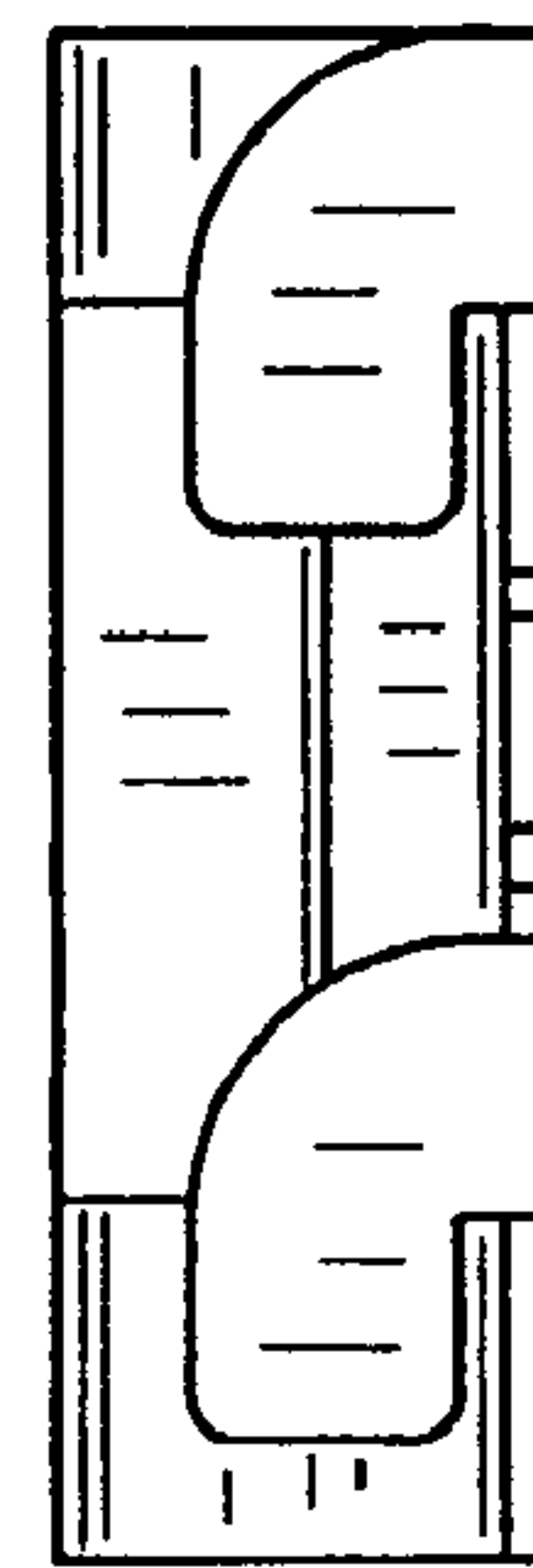


FIG. 6

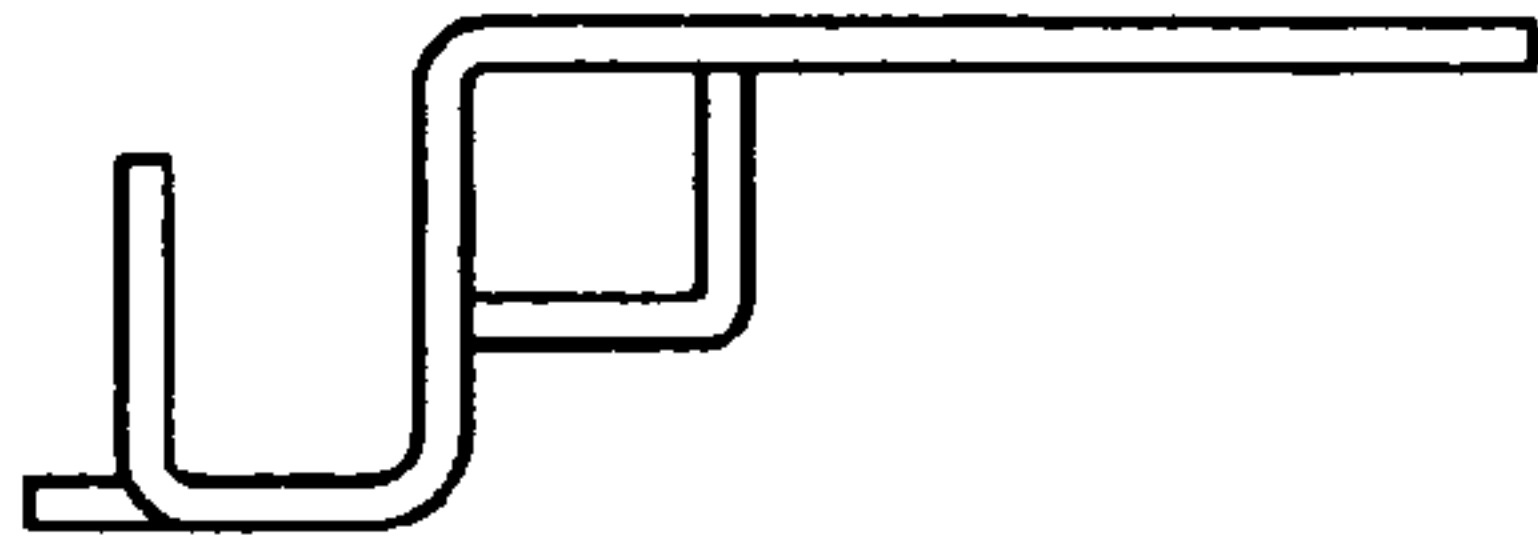


FIG. 7

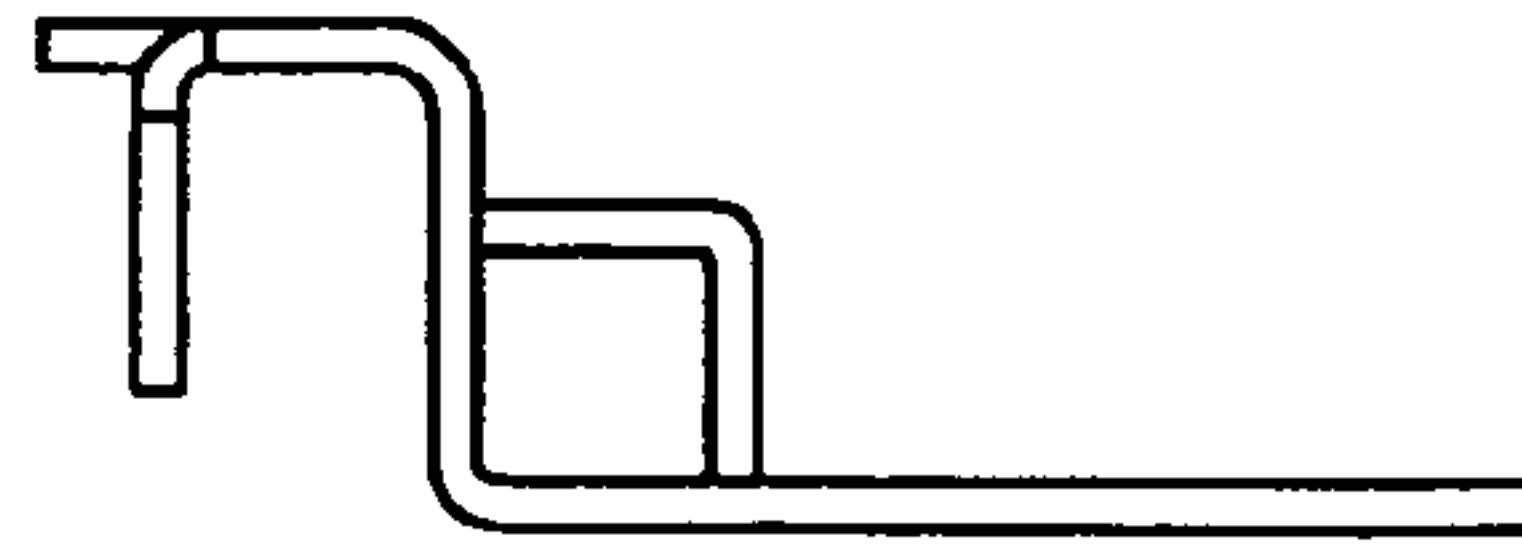


FIG. 8

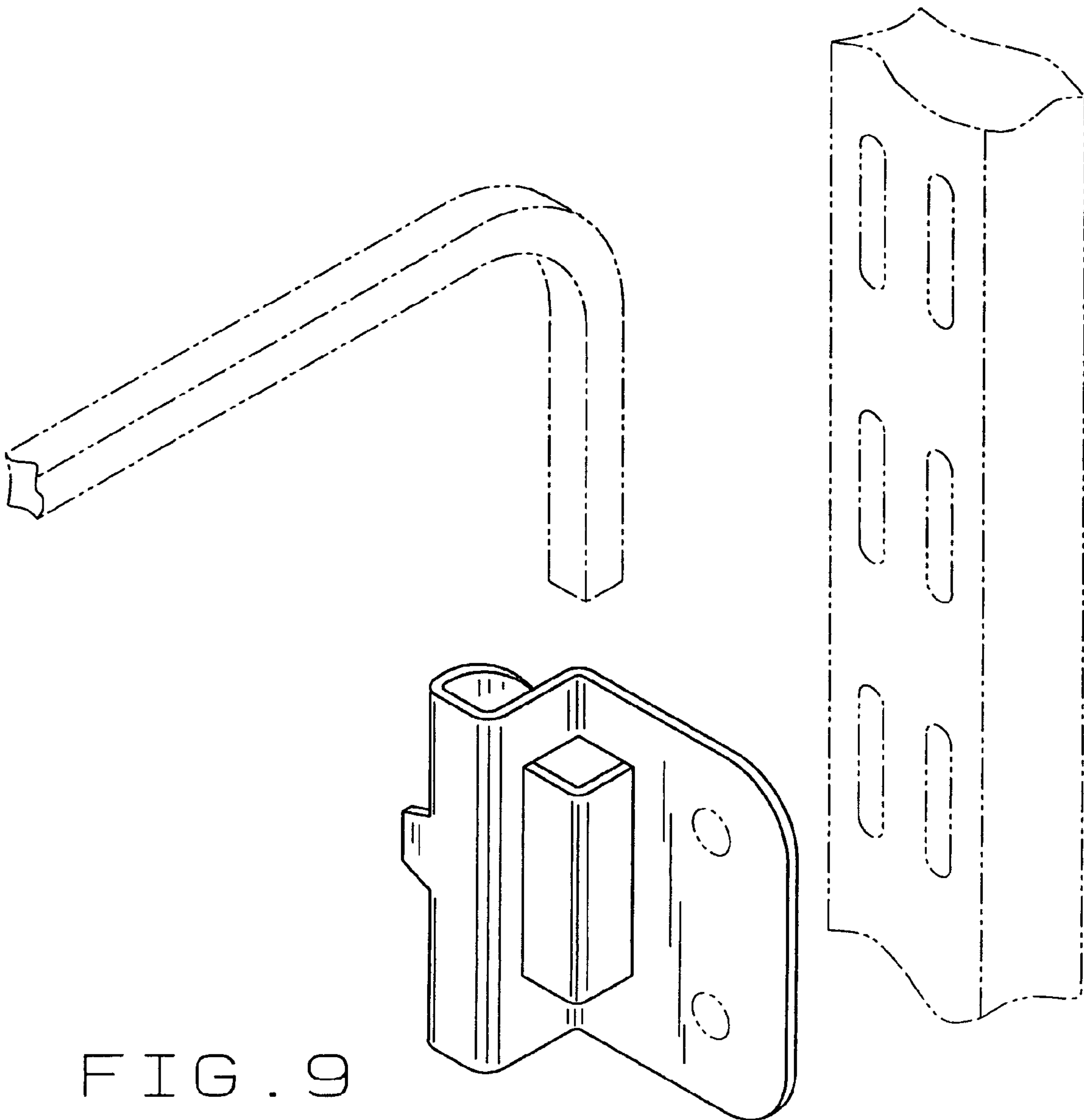


FIG. 9