

US00D547162S

(12) **United States Design Patent**  
**Heppner**

(10) **Patent No.:** **US D547,162 S**

(45) **Date of Patent:** **\*\* Jul. 24, 2007**

(54) **LOCK SHACKLE**

(75) Inventor: **John Heppner**, Kenosha, WI (US)

(73) Assignee: **Master Lock Company, LLC**, Oak Creek, WI (US)

(\*\*) Term: **14 Years**

(21) Appl. No.: **29/256,737**

(22) Filed: **Mar. 23, 2006**

(51) **LOC (8) Cl.** ..... **08-07**

(52) **U.S. Cl.** ..... **D8/343**

(58) **Field of Classification Search** ..... D8/330-348;  
70/32, 34, 35, 38 A, 38 B, 38 C, 53  
See application file for complete search history.

(56) **References Cited**

**U.S. PATENT DOCUMENTS**

|           |     |         |           |         |
|-----------|-----|---------|-----------|---------|
| 526,740   | A   | 10/1894 | Rapaport  |         |
| 568,701   | A   | 9/1896  | Roberts   |         |
| D32,638   | S   | 5/1900  | Voight    |         |
| 661,560   | A   | 11/1900 | Stall     |         |
| 666,231   | A   | 1/1901  | Lawson    |         |
| 767,004   | A   | 8/1904  | Muchowicz |         |
| 1,016,455 | A   | 2/1912  | Stone     |         |
| 1,455,770 | A   | 5/1923  | Anderson  |         |
| 1,629,388 | A   | 5/1927  | Jackson   |         |
| 1,777,424 | A   | 10/1930 | Thomas    |         |
| 3,395,555 | A   | 8/1968  | Hickman   |         |
| D212,170  | S   | 9/1968  | Owen      |         |
| 3,626,729 | A   | 12/1971 | Fane      |         |
| 3,830,085 | A   | 8/1974  | Gerlach   |         |
| 5,148,690 | A * | 9/1992  | Wang      | 70/38 A |
| 5,253,496 | A   | 10/1993 | Wang      |         |
| D352,223  | S   | 11/1994 | Shieh     |         |
| 5,372,019 | A   | 12/1994 | Hsiao     |         |
| D360,125  | S   | 7/1995  | Taylor    |         |
| D392,540  | S   | 3/1998  | McDaid    |         |
| 5,727,405 | A   | 3/1998  | Cromwell  |         |
| D408,261  | S   | 4/1999  | Gregory   |         |

|           |     |         |          |        |
|-----------|-----|---------|----------|--------|
| D433,310  | S   | 11/2000 | Luquire  |        |
| D433,311  | S   | 11/2000 | Luquire  |        |
| D454,486  | S   | 3/2002  | Streibel |        |
| 6,530,248 | B1  | 3/2003  | Parker   |        |
| D484,777  | S   | 1/2004  | Ruan     |        |
| D489,244  | S   | 5/2004  | Vito     |        |
| D491,044  | S   | 6/2004  | Vito     |        |
| D520,339  | S * | 5/2006  | Heppner  | D8/343 |
| D524,145  | S * | 7/2006  | Heppner  | D8/343 |
| D529,786  | S * | 10/2006 | Heppner  | D8/343 |
| D533,764  | S * | 12/2006 | Heppner  | D8/343 |

**OTHER PUBLICATIONS**

Loklex Catalog, 1995, front page.

\* cited by examiner

*Primary Examiner*—Mitchell Siegel

(74) *Attorney, Agent, or Firm*—Calfee, Halter & Griswold, LLP

(57) **CLAIM**

The ornamental design for a lock shackle, as shown and described.

**DESCRIPTION**

FIG. 1 is a perspective view of a lock shackle of the new design, showing a shackle with five flat sides and the shackle installed in a padlock illustrated in phantom lines;

FIG. 2 is a front view of the lock shackle of FIG. 1, wherein the front view and the back view are mirror images of each other;

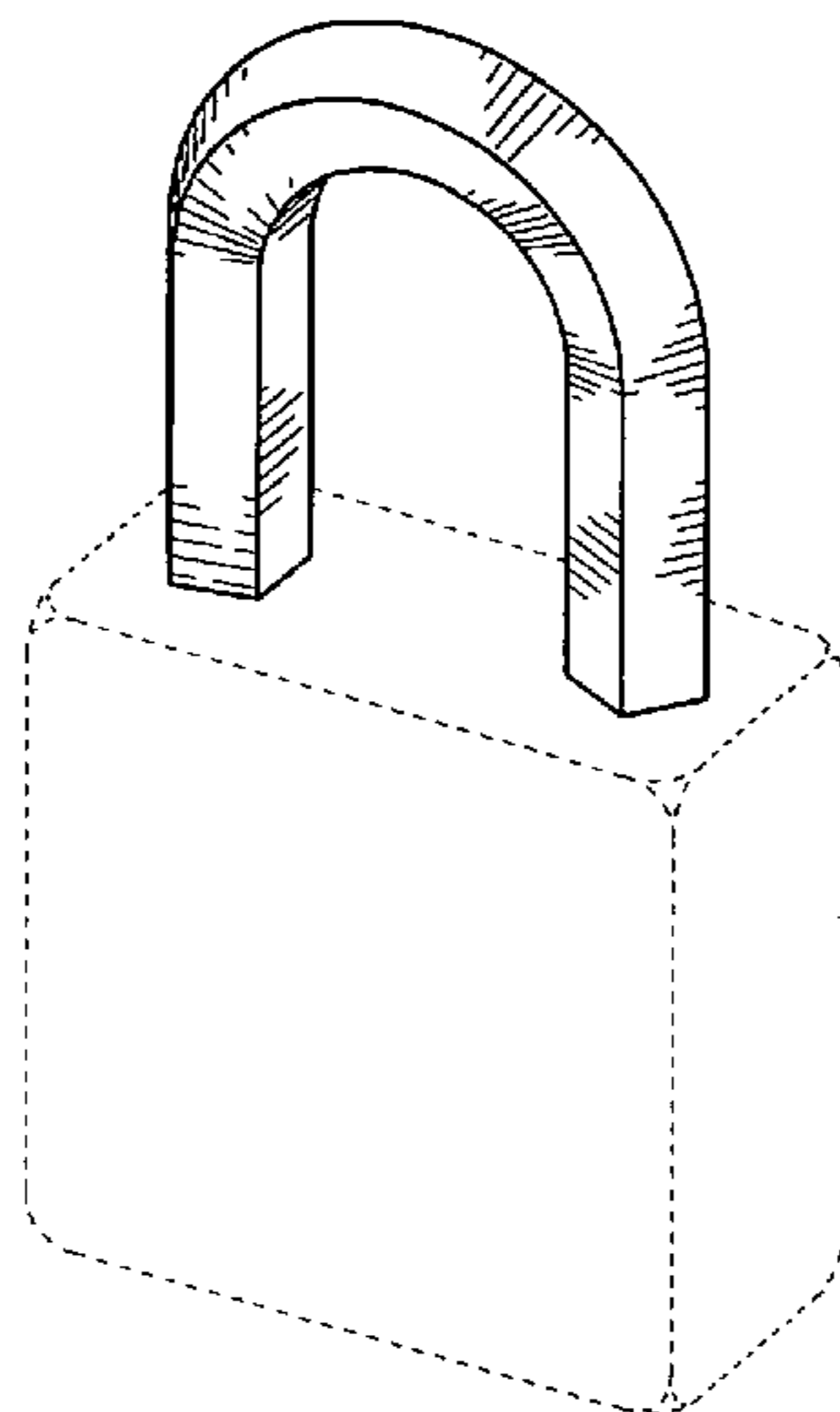
FIG. 3 is a side view of the lock shackle of FIG. 1, wherein each side is a mirror image of the other;

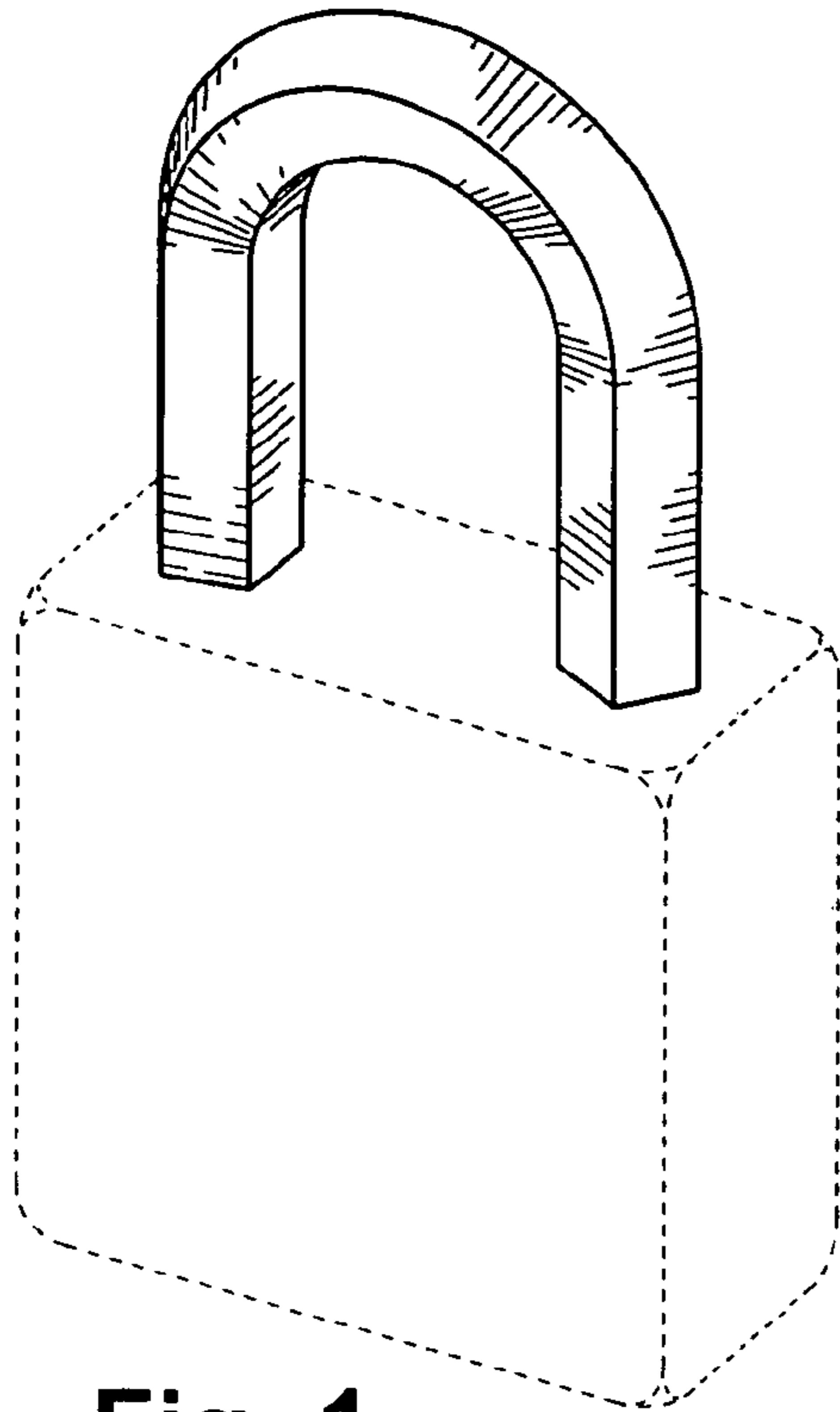
FIG. 4 is a top view of the lock shackle of FIG. 1; and,

FIG. 5 is a bottom view of the lock shackle of FIG. 1.

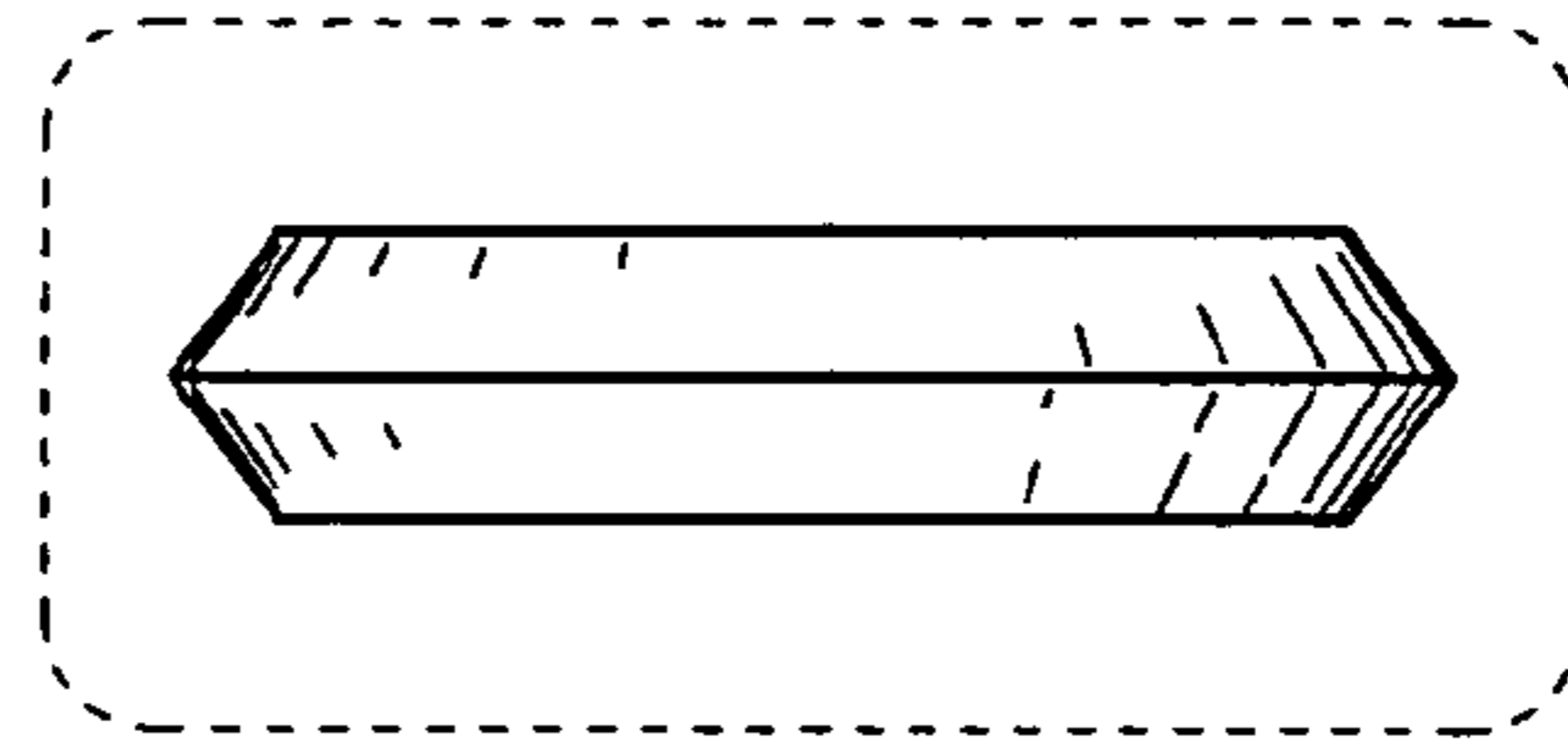
The portions of the Figures shown in phantom lines are not part of the claimed design, but are for illustration purposes only.

**1 Claim, 1 Drawing Sheet**

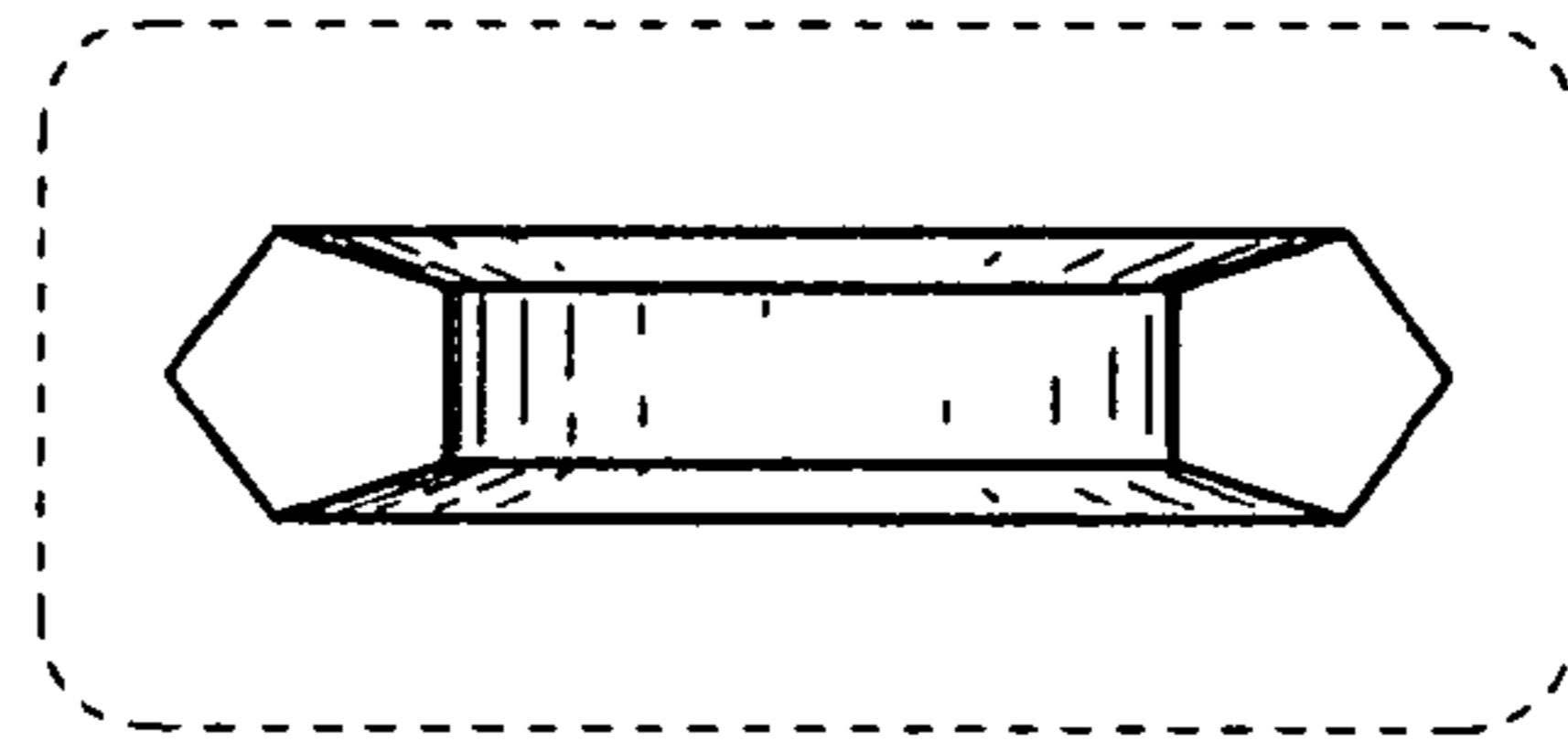




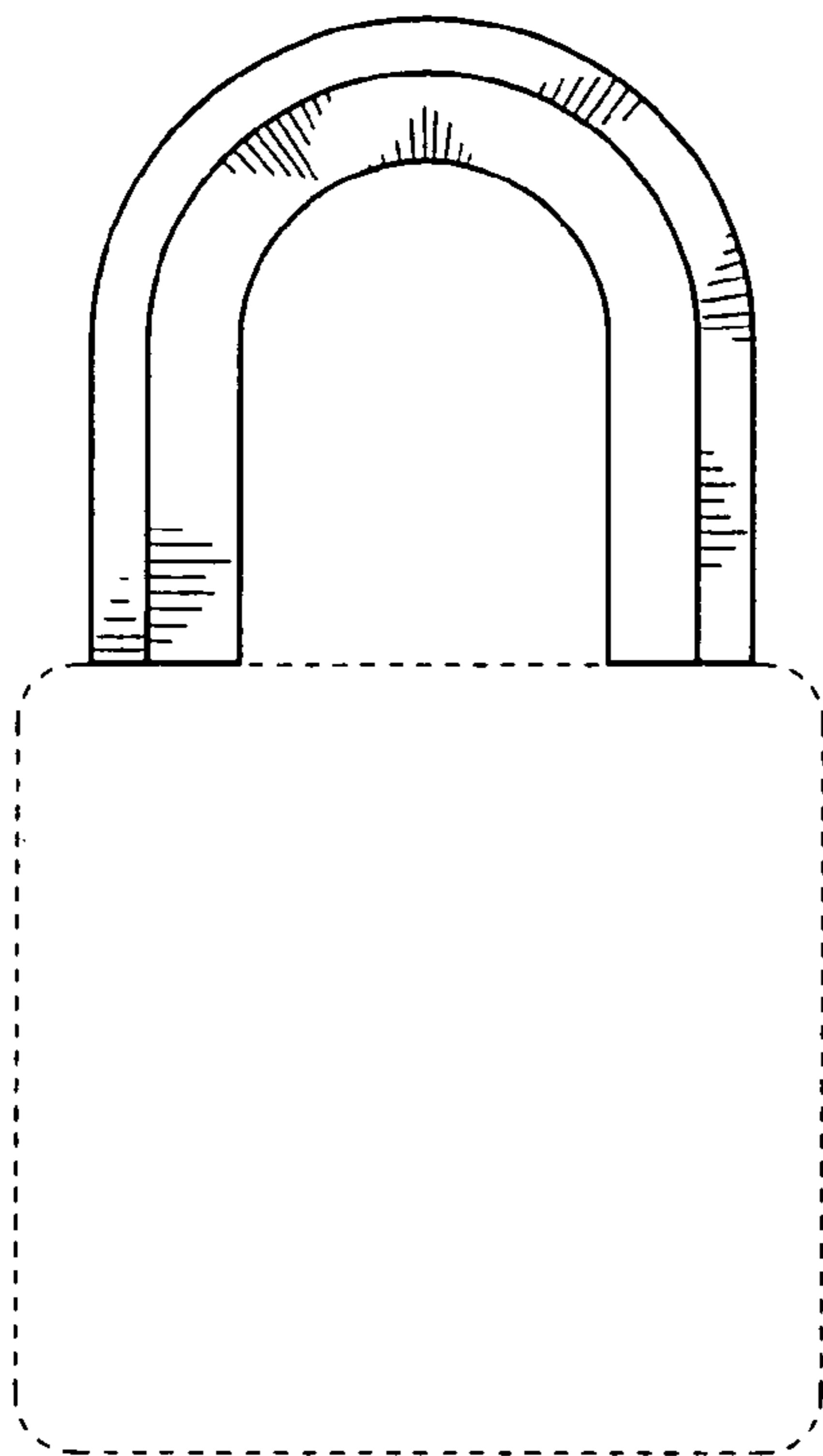
**Fig. 1**



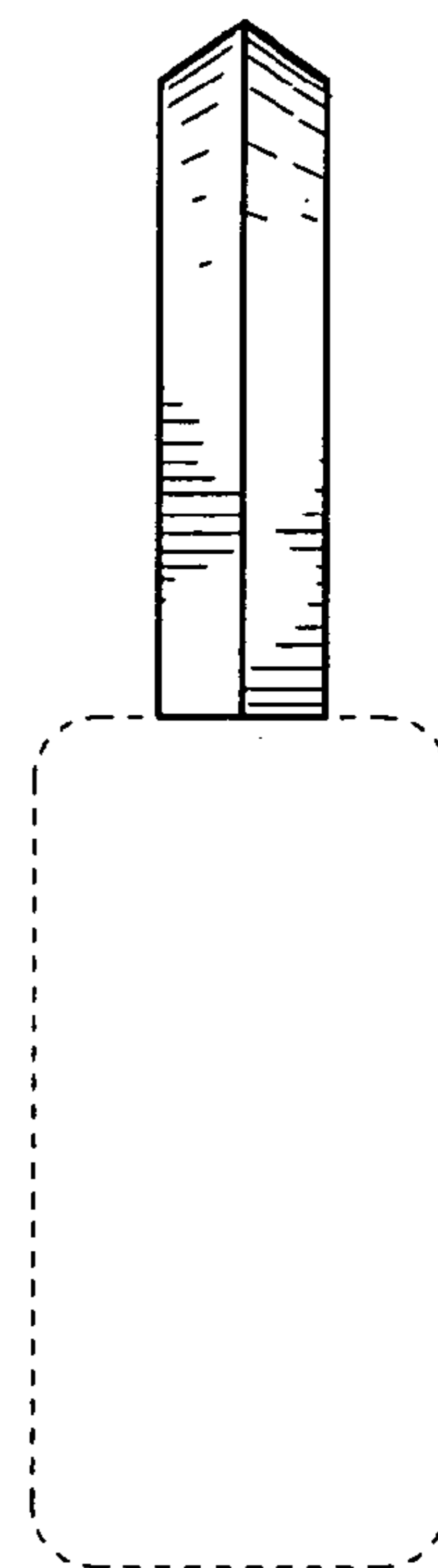
**Fig. 4**



**Fig. 5**



**Fig. 2**



**Fig. 3**