

US00D547160S

(12) **United States Design Patent**  
**Hand et al.**

(10) **Patent No.:** **US D547,160 S**

(45) **Date of Patent:** **\*\* Jul. 24, 2007**

(54) **HANDLE**

(75) Inventors: **Jim Hand**, Glen Ellyn, IL (US); **Greg Holderfield**, Oak Park, IL (US); **Eric Hyman**, South Grafton, MA (US)

(73) Assignee: **Waterloo Industries, Inc.**, Waterloo, IA (US)

(\*\*) Term: **14 Years**

(21) Appl. No.: **29/261,006**

(22) Filed: **Jun. 6, 2006**

(51) **LOC (8) Cl.** ..... **08-06**

(52) **U.S. Cl.** ..... **D8/316; D8/300**

(58) **Field of Classification Search** ..... D8/300,  
D8/306, 313, 315-320, 321; D9/434; 190/39,  
190/100, 102, 115-118; 16/411, 428, 444;  
150/107, 110, 117, 118; 294/171; D3/276,  
D3/282, 291

See application file for complete search history.

(56) **References Cited**

**U.S. PATENT DOCUMENTS**

823,173	A *	6/1906	Hunter	.....	190/39
2,680,460	A *	6/1954	Hyman	.....	150/110
3,800,361	A *	4/1974	Stauffer	.....	16/411
4,782,556	A *	11/1988	Kim	.....	16/444
4,799,521	A *	1/1989	Shick	.....	150/107

5,560,083	A *	10/1996	Teixeira	.....	16/411
5,562,189	A *	10/1996	Chen	.....	190/115
D403,229	S *	12/1998	Chou	.....	D8/316

\* cited by examiner

*Primary Examiner*—Paula A. Greene

(74) *Attorney, Agent, or Firm*—Calfee, Halter & Griswold, LLP

(57) **CLAIM**

We claim an ornamental design for a handle, as shown and described.

**DESCRIPTION**

FIG. 1 is a perspective view of a handle showing our new design;

FIG. 2 is a front perspective view of the handle of FIG. 1;

FIG. 3 is a rear view of the handle of FIG. 1;

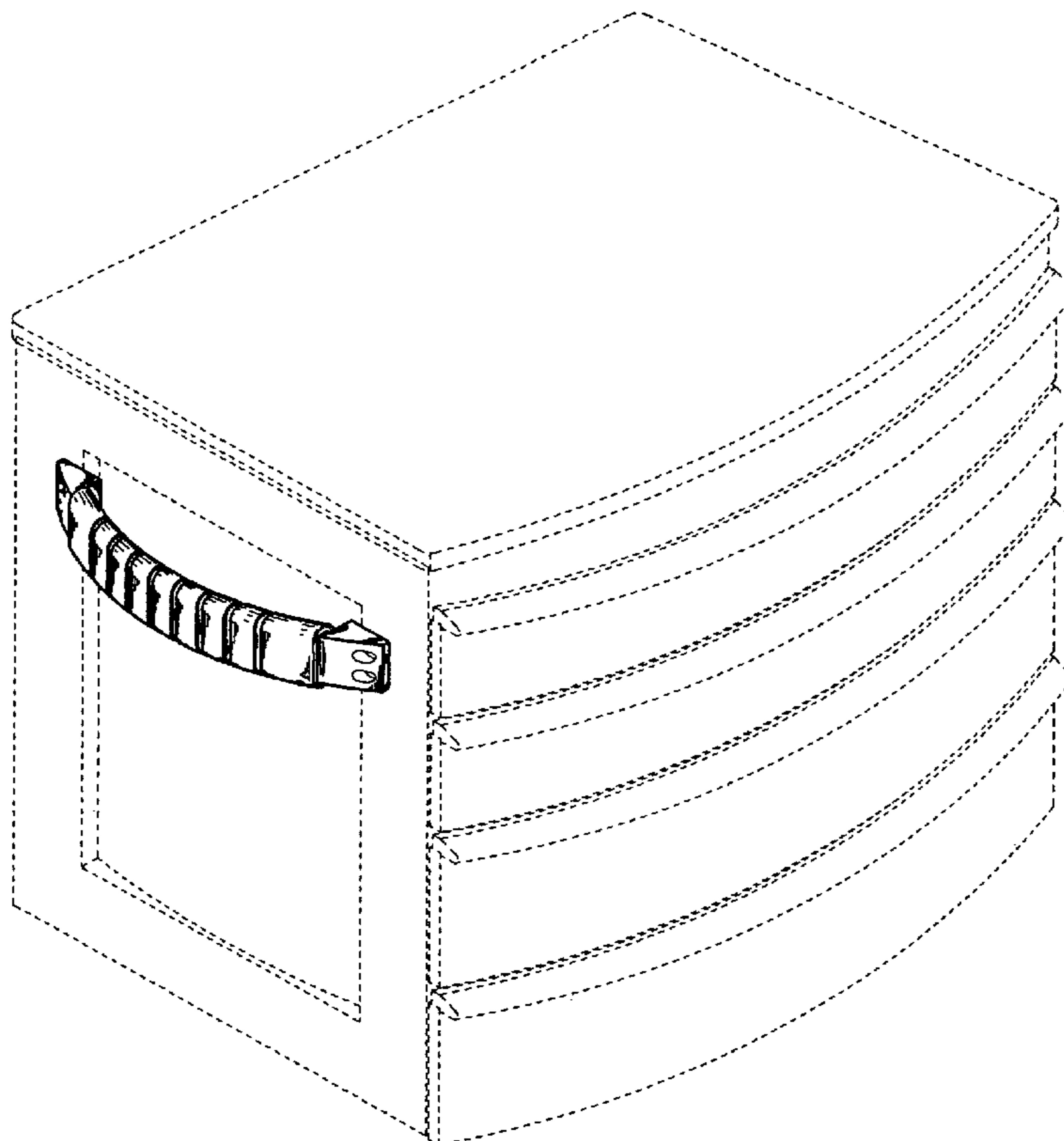
FIG. 4 is a front view of the handle of FIG. 1;

FIG. 5 is a side view of the handle of FIG. 1, the opposing side view being a mirror image thereof; and,

FIG. 6 is an end view of the handle of FIG. 1, the opposing end view being a mirror image thereof.

The broken line showing of the tool chest is included for the purpose of illustration and forms no part of the claimed design.

**1 Claim, 3 Drawing Sheets**



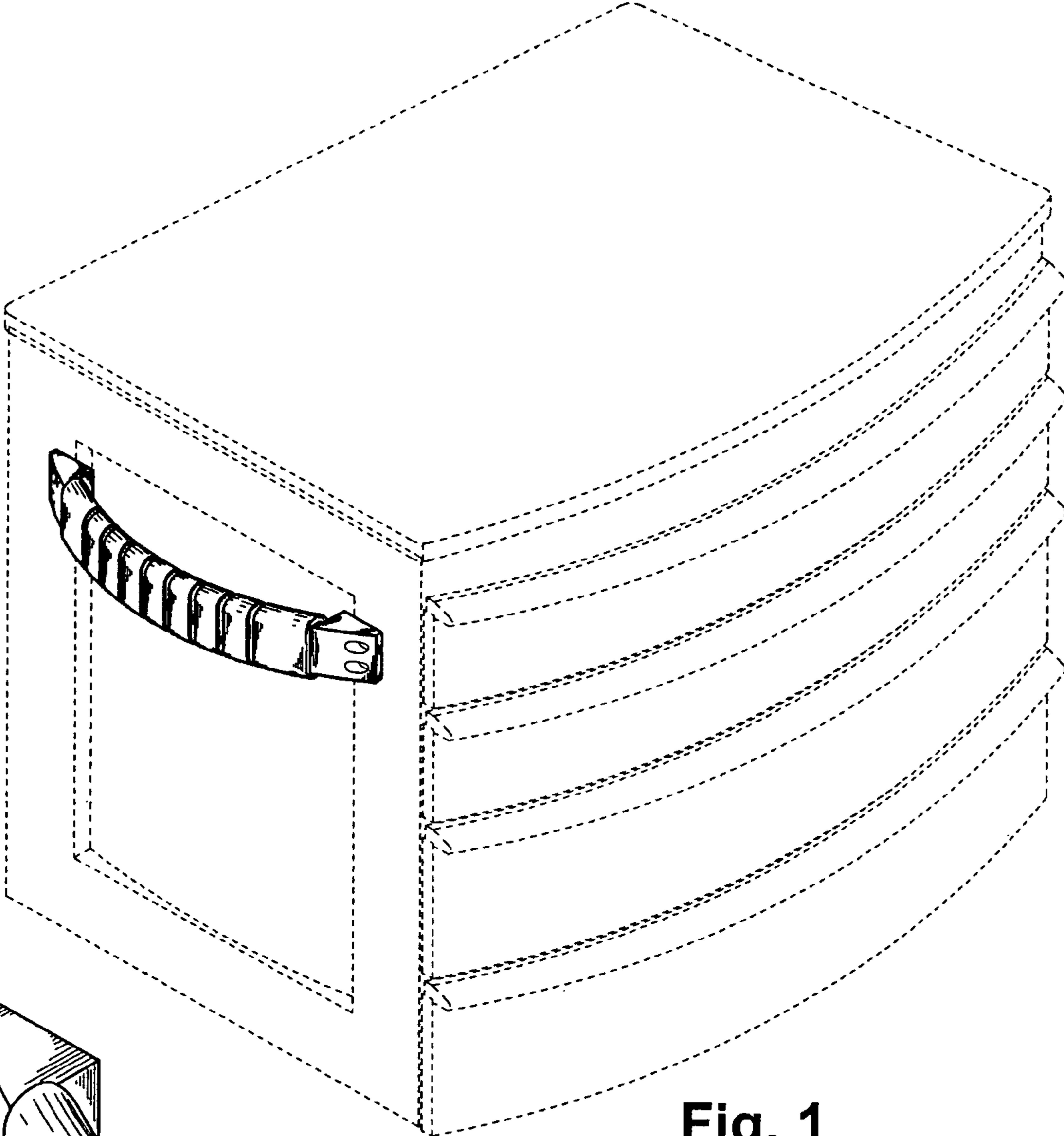


Fig. 1

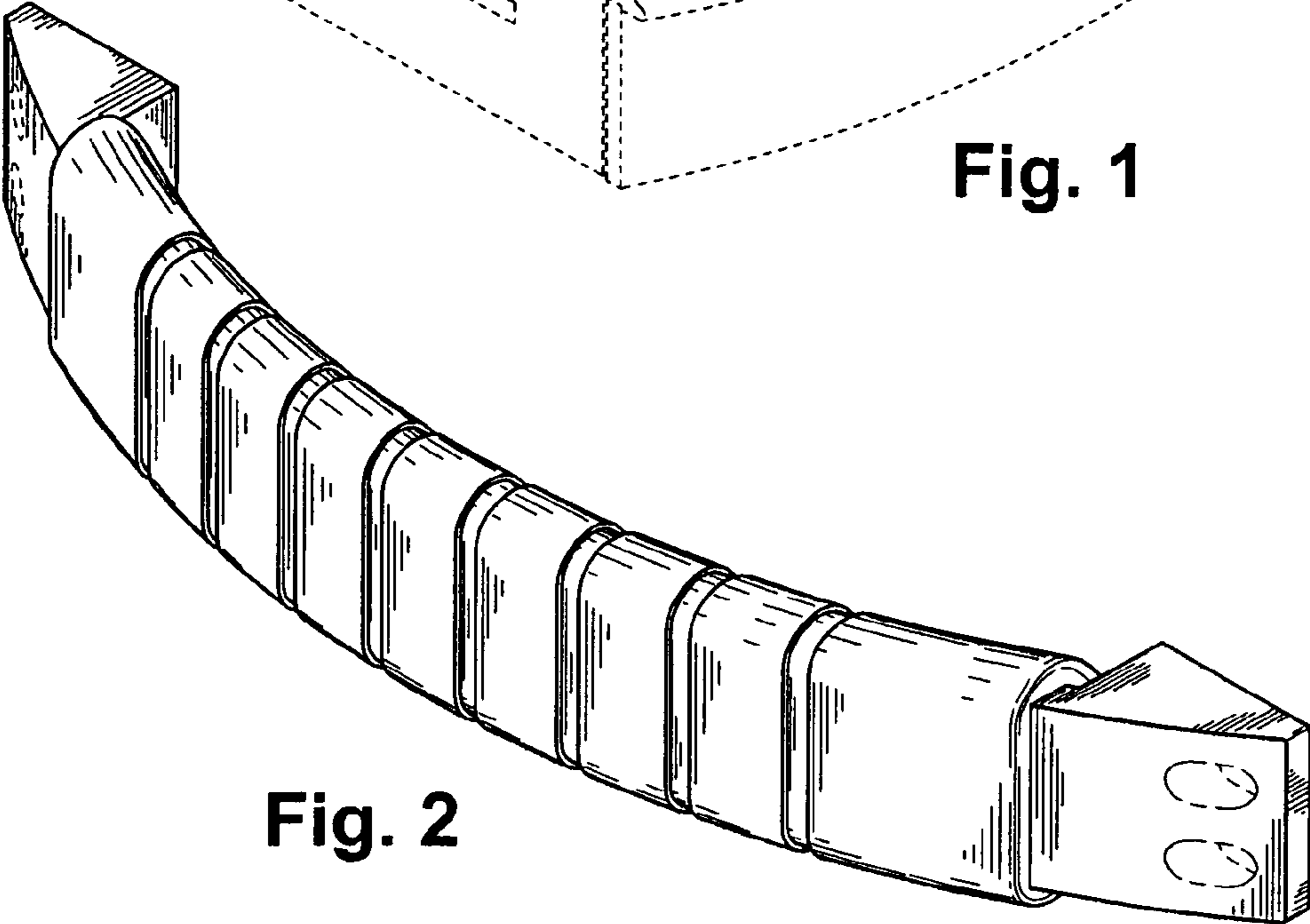
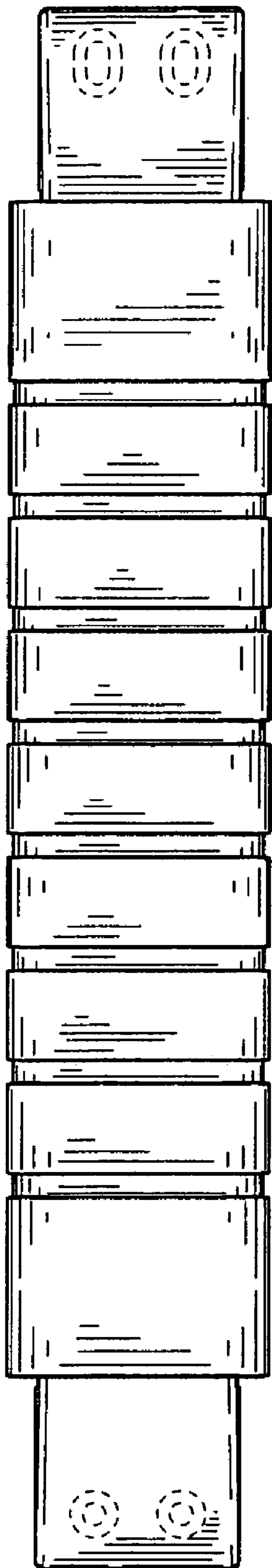
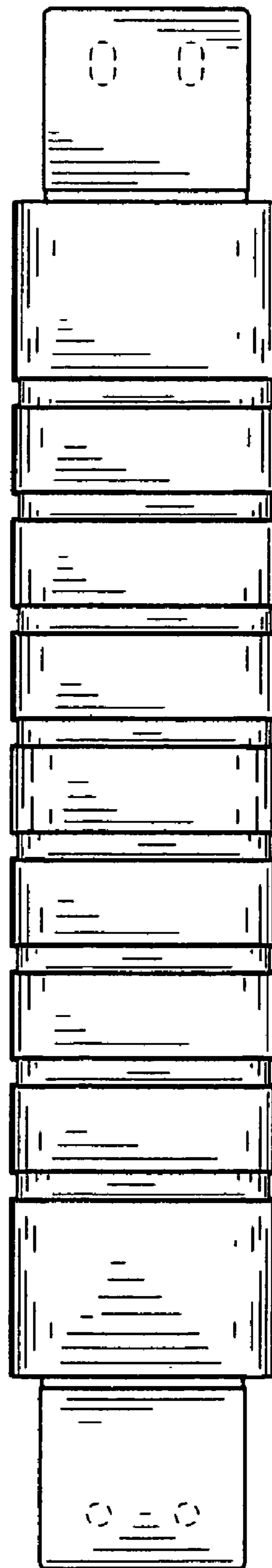


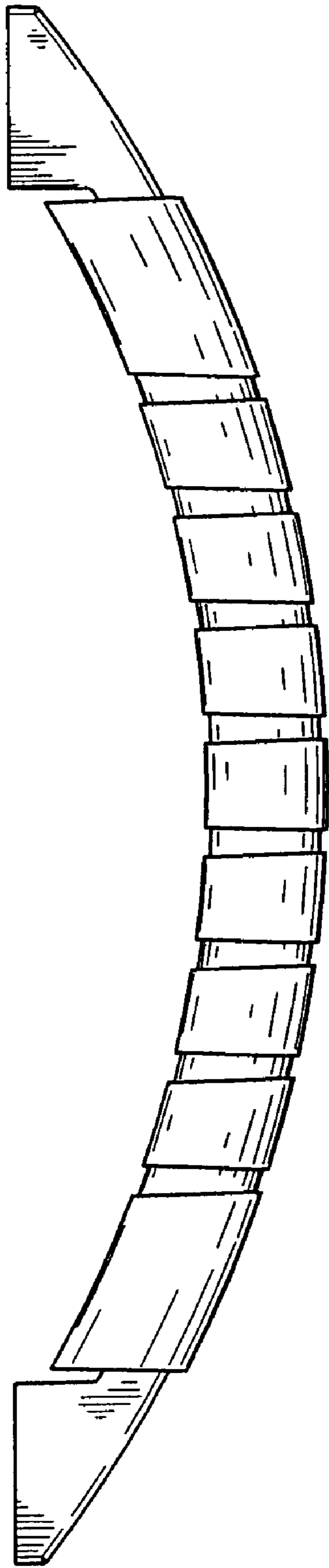
Fig. 2



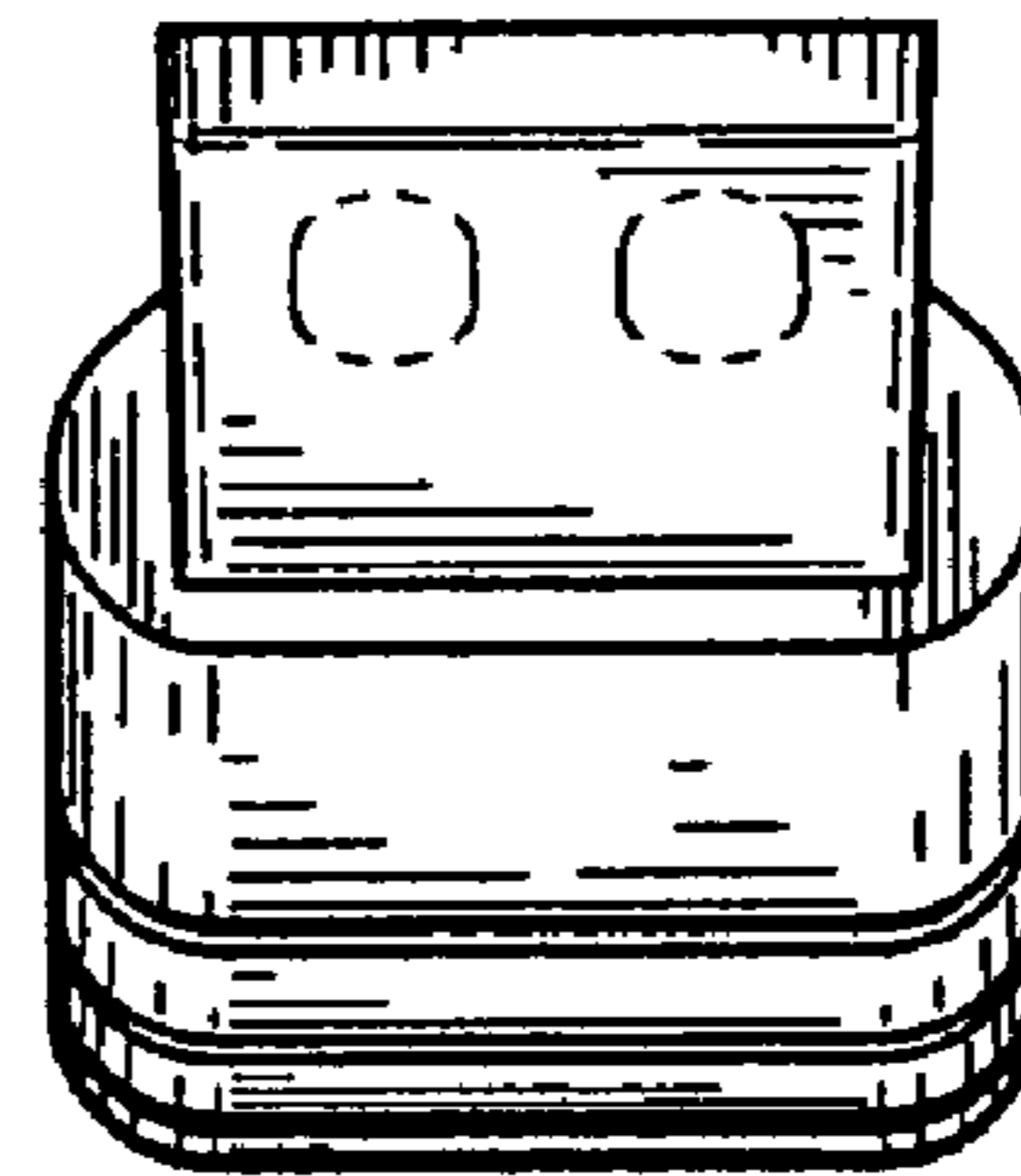
**Fig. 3**



**Fig. 4**



**Fig. 5**



**Fig. 6**