

US00D547156S

(12) **United States Design Patent**
Lee

(10) **Patent No.:** **US D547,156 S**
(45) **Date of Patent:** **** Jul. 24, 2007**

(54) **COMBINATION STAPLE REMOVER AND LETTER OPENER**

(76) Inventor: **Seung Joon Lee**, Rm 203, #684-2,
Deungchon-dong, Gangseo-gu, Seoul
(KR) 157-030

(**) Term: **14 Years**

(21) Appl. No.: **29/256,568**

(22) Filed: **Mar. 22, 2006**

(30) **Foreign Application Priority Data**

Nov. 18, 2005 (KR) 30-2005-0038915

(51) **LOC (8) Cl.** **08-03**

(52) **U.S. Cl.** **D8/104; D8/48; D8/102**

(58) **Field of Classification Search** D8/102-105,
D8/14, 48, 98; D19/72; D24/145, 147; D3/208,
D3/210; 254/28; 7/158, 160; 30/286, DIG. 30
See application file for complete search history.

(56) **References Cited**

U.S. PATENT DOCUMENTS

4,635,309	A *	1/1987	Larsen	7/158
5,090,663	A *	2/1992	Crutchfield et al.	254/28
D342,656	S *	12/1993	Hochfeld et al.	D8/48
D352,217	S *	11/1994	Hochfeld et al.	D8/48
D356,720	S	3/1995	Hochfeld et al.		
5,513,833	A	5/1996	Kirk		
D388,306	S	12/1997	Vaught		
5,720,062	A	2/1998	Vaught		

5,803,435	A	9/1998	Hsu		
D401,492	S *	11/1998	Joseph, Jr.	D8/98
5,875,503	A	3/1999	Cheldin		
D414,998	S	10/1999	Cheldin		
6,065,169	A *	5/2000	Cheldin	7/160
D438,440	S	3/2001	Cheldin		
D512,625	S	12/2005	Cheldin		
7,131,636	B1 *	11/2006	Gurmu	254/28

* cited by examiner

Primary Examiner—Cathron C. Brooks

Assistant Examiner—Austin Murphy

(74) *Attorney, Agent, or Firm*—Jordan and Hamburg LLP

(57) **CLAIM**

The ornamental design for a combination staple remover and letter opener, as shown.

DESCRIPTION

FIG. 1 is a top, front and right-side perspective view of a staple remover and letter opener embodying my new design; FIG. 2 is a front elevational view thereof; FIG. 3 is a rear elevational view thereof; FIG. 4 is a left-side elevational view thereof; FIG. 5 is a right-side elevational view thereof; FIG. 6 is a top plan view thereof; and, FIG. 7 is a bottom plan view thereof.

1 Claim, 2 Drawing Sheets

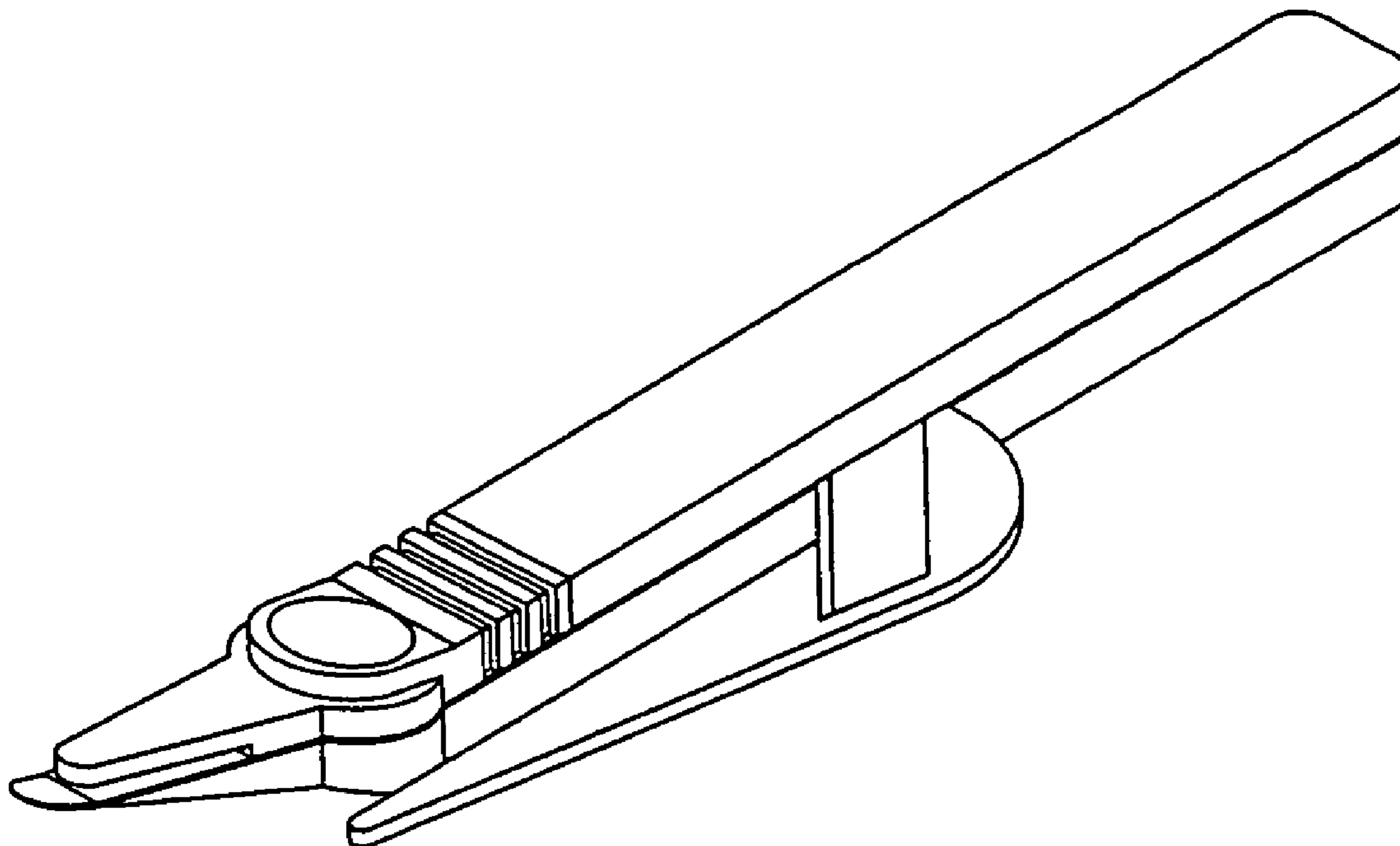


Fig 1

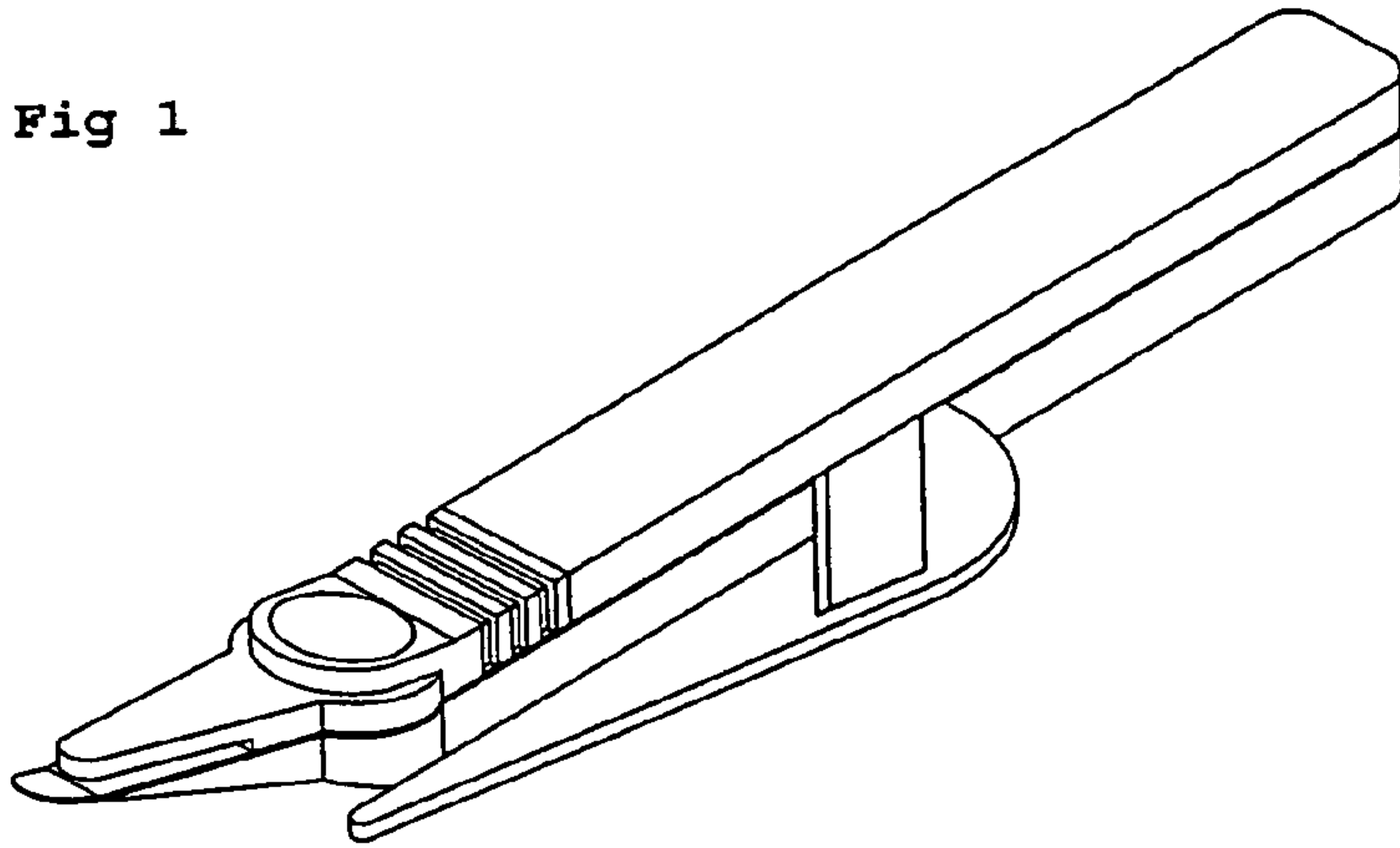


Fig 2

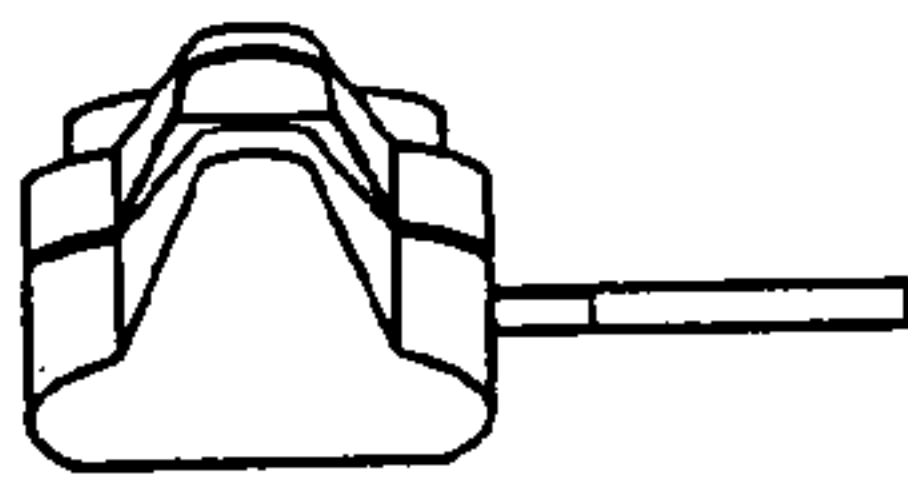


Fig 3

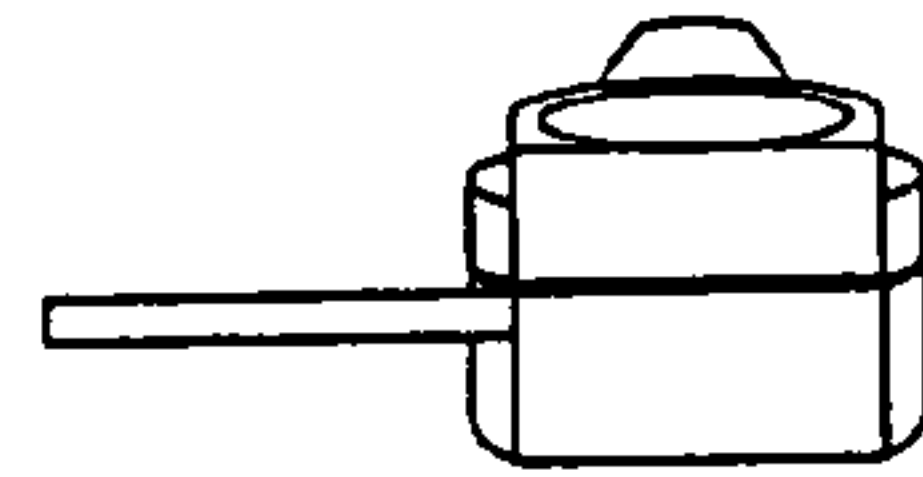


Fig 4

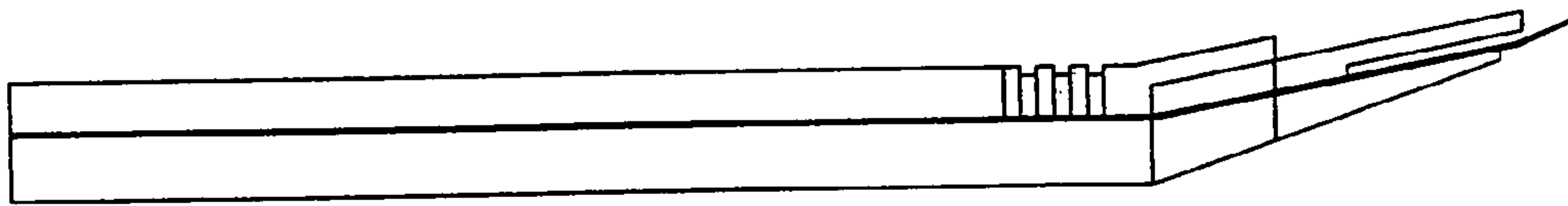


Fig 5

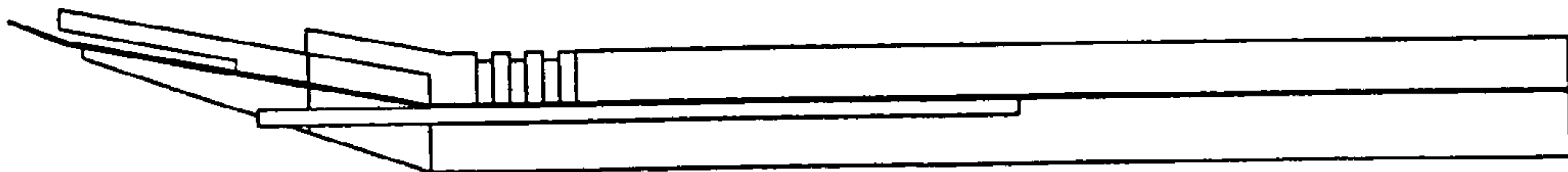


Fig 6

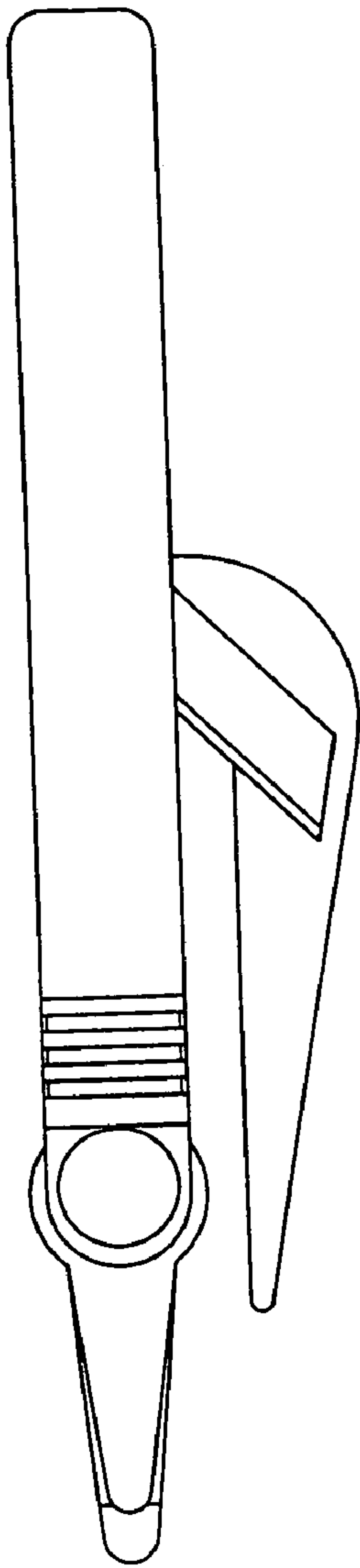


Fig 7

