



US00D547155S

(12) **United States Design Patent** (10) **Patent No.:** **US D547,155 S**
Siemers et al. (45) **Date of Patent:** **** Jul. 24, 2007**

(54) **SPINDLE CUTTER**

(75) Inventors: **Matthew B. Siemers**, Ottawa (CA);
Scott T. Roger, Ottawa (CA)

(73) Assignee: **Lee Valley Tools, Ltd.**, Ottawa (CA)

(**) Term: **14 Years**

(21) Appl. No.: **29/241,745**

(22) Filed: **Oct. 31, 2005**

(51) **LOC (8) Cl.** **08-03**

(52) **U.S. Cl.** **D8/101**

(58) **Field of Classification Search** D8/101;
30/478, 495; 142/29, 56

See application file for complete search history.

(56) **References Cited**

U.S. PATENT DOCUMENTS

220,442	A	10/1879	Stearns	
374,773	A	12/1887	Bradford	
520,502	A	5/1894	Swan	
690,338	A	12/1901	Wood	
1,145,237	A *	7/1915	Finney	30/495
286,032	A	3/1928	Wilson	
2,049,685	A *	8/1936	Brown	142/56
2,556,415	A *	6/1951	Buck	142/29
6,004,082	A	12/1999	Ruhlmann et al.	
6,099,211	A	8/2000	Lee et al.	
6,263,929	B1	7/2001	Aziz et al.	
D516,404	S *	3/2006	Siemers	D8/101

OTHER PUBLICATIONS

Preston, Edward, "Dowelling Tools," The Preston Catalogue, May 1909, p. 106, Catalogue No. 18, Birmingham, England.

"Boring Tool, Handled," Dictionary of American Hand Tools, Alvin Sellens (ed.). p. 81.

Walter, John, "Miscellaneous Tools, No. 22 Dowel Sharpener" Antique & Collectible Stanley Tools Guide to Identity & Value, p. 323.

* cited by examiner

Primary Examiner—Philip S. Hyder

(74) *Attorney, Agent, or Firm*—Kilpatrick Stockton LLP; John S. Pratt; Camilla C. Williams

(57) **CLAIM**

The ornamental design for a spindle cutter, as shown and described.

DESCRIPTION

FIG. 1 is a top right perspective view of a spindle cutter of this invention.

FIG. 2 is a bottom left perspective view of the spindle cutter of FIG. 1.

FIG. 3 is a top plan view of the spindle cutter of FIG. 1.

FIG. 4 is a bottom plan view of the spindle cutter of FIG. 1.

FIG. 5 is a right side view of the spindle cutter of FIG. 1.

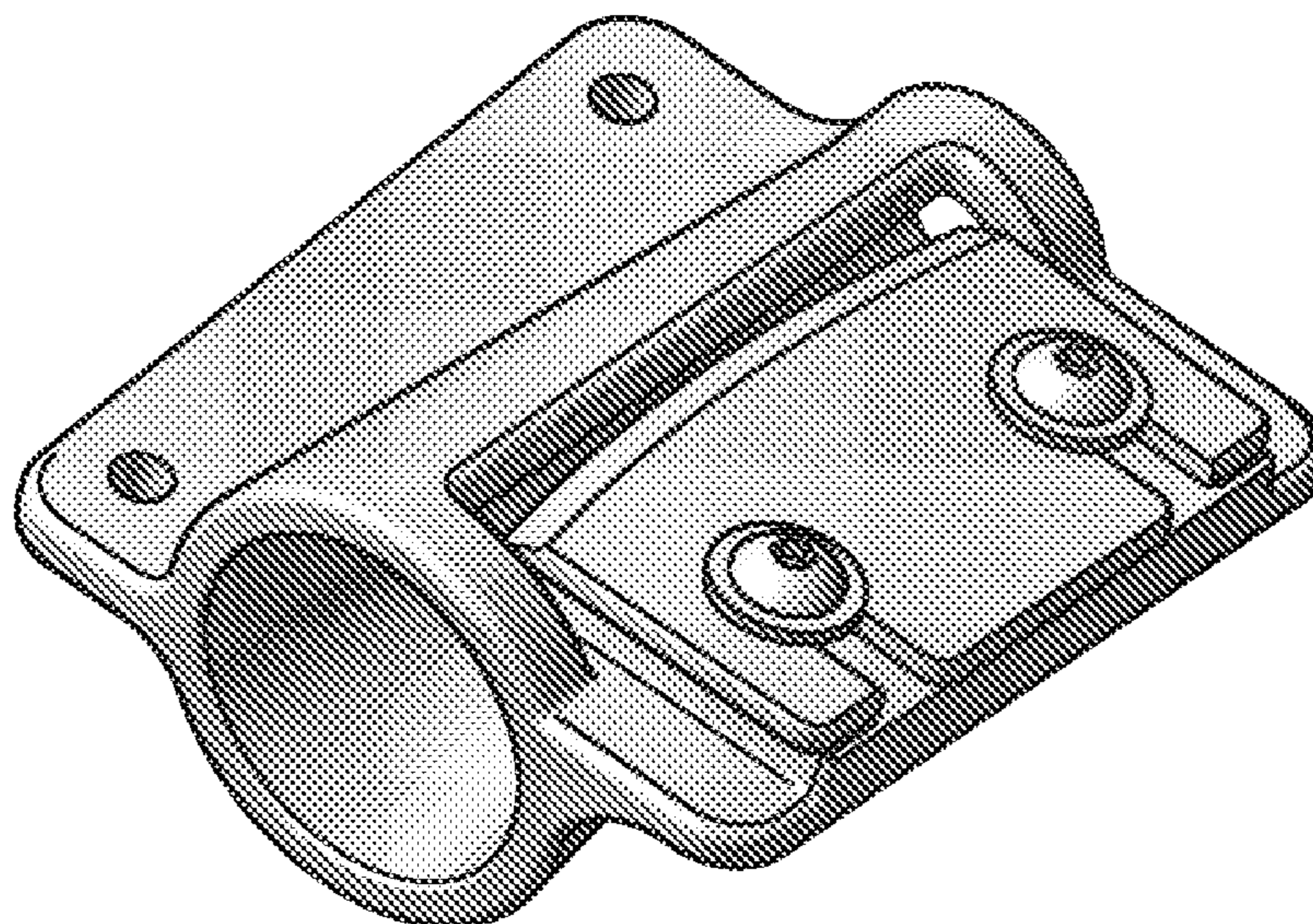
FIG. 6 is a left side view of the spindle cutter of FIG. 1.

FIG. 7 is a cross section view of the spindle cutter taken along line 7-7 in FIG. 3.

FIG. 8 is an end view of the spindle cutter of FIG. 1; and,

FIG. 9 is another end view of the spindle cutter of FIG. 1.

1 Claim, 4 Drawing Sheets



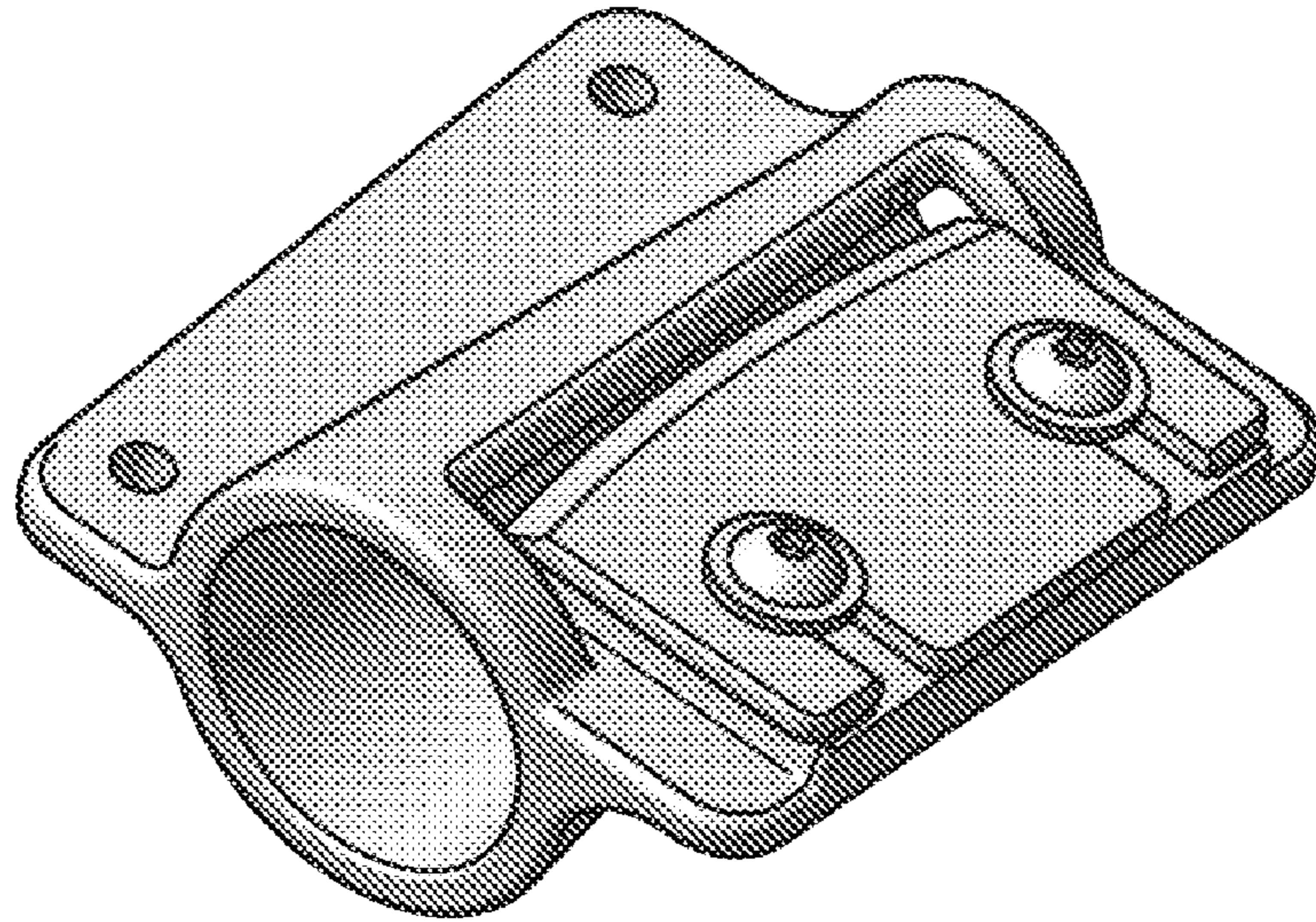


FIG. 1

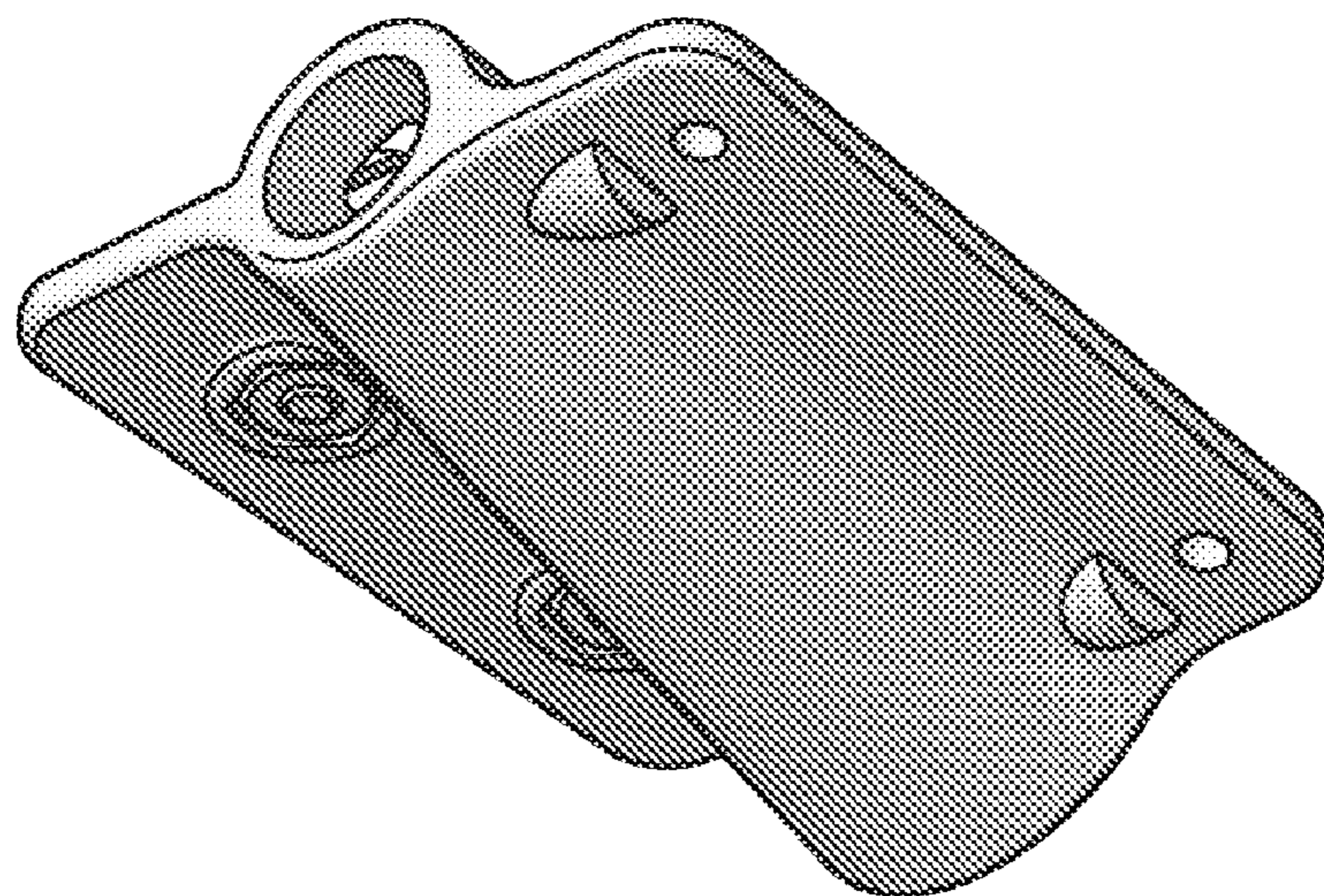


FIG. 2

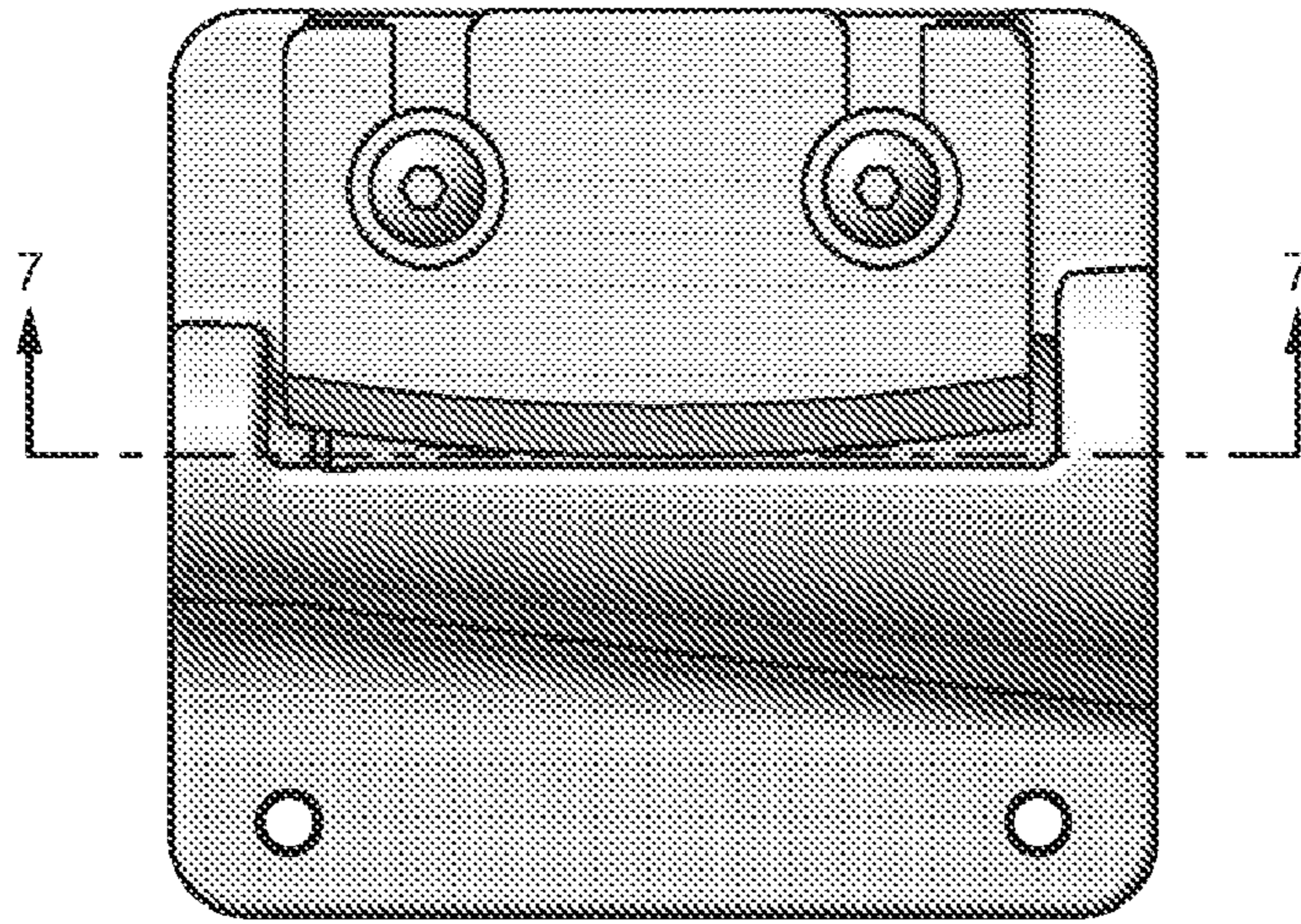


FIG. 3

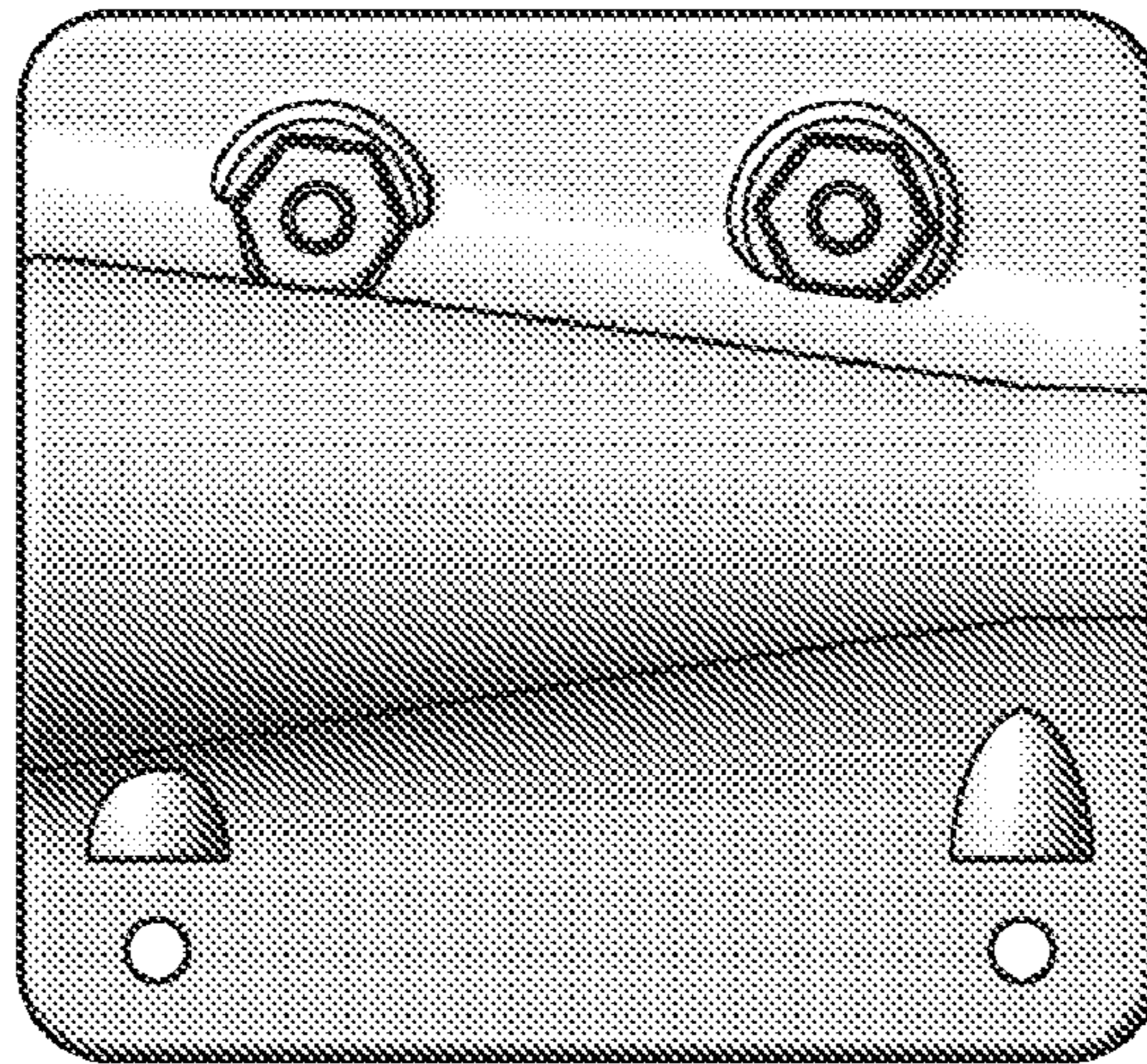


FIG. 4

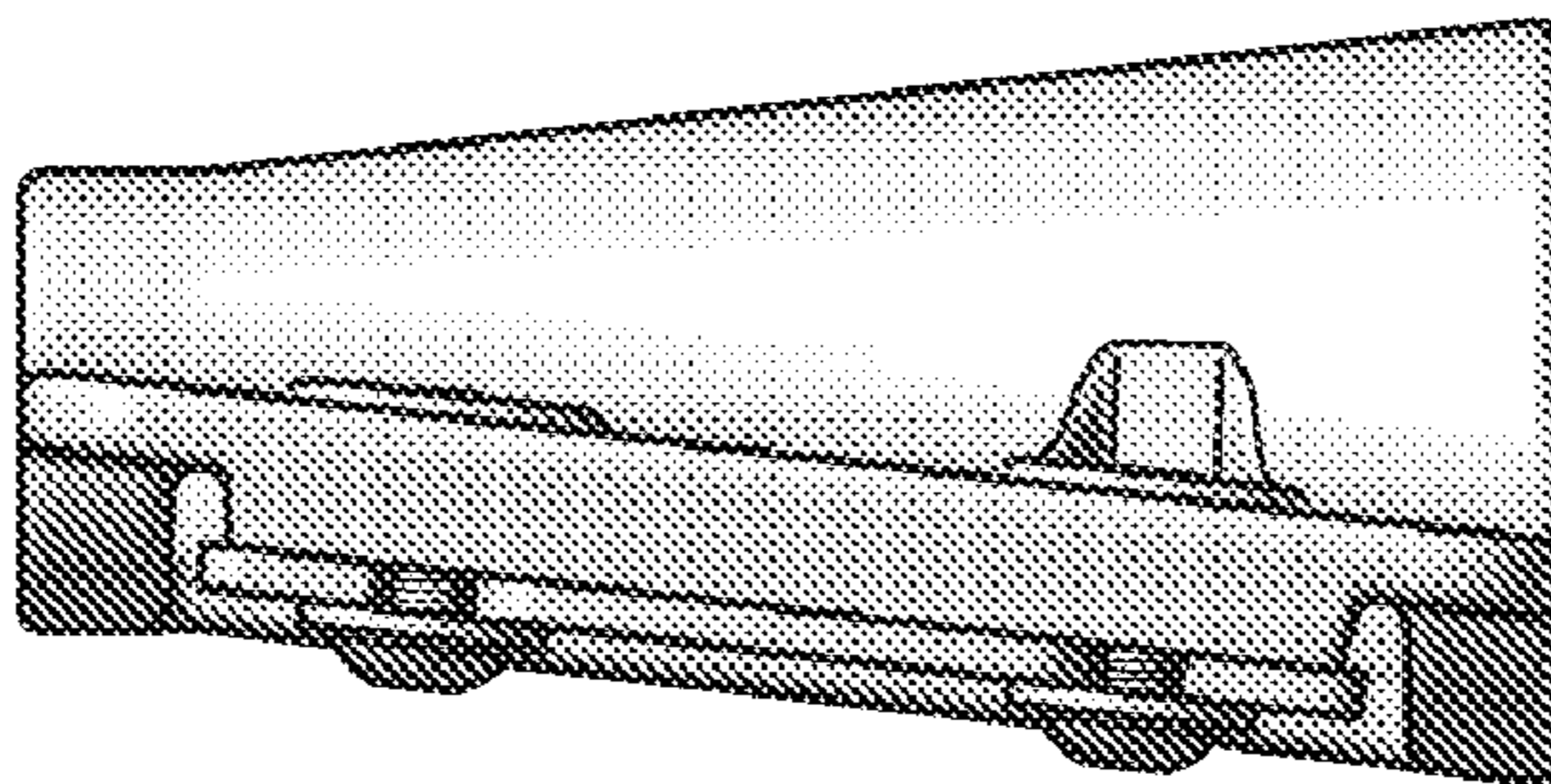


FIG. 5

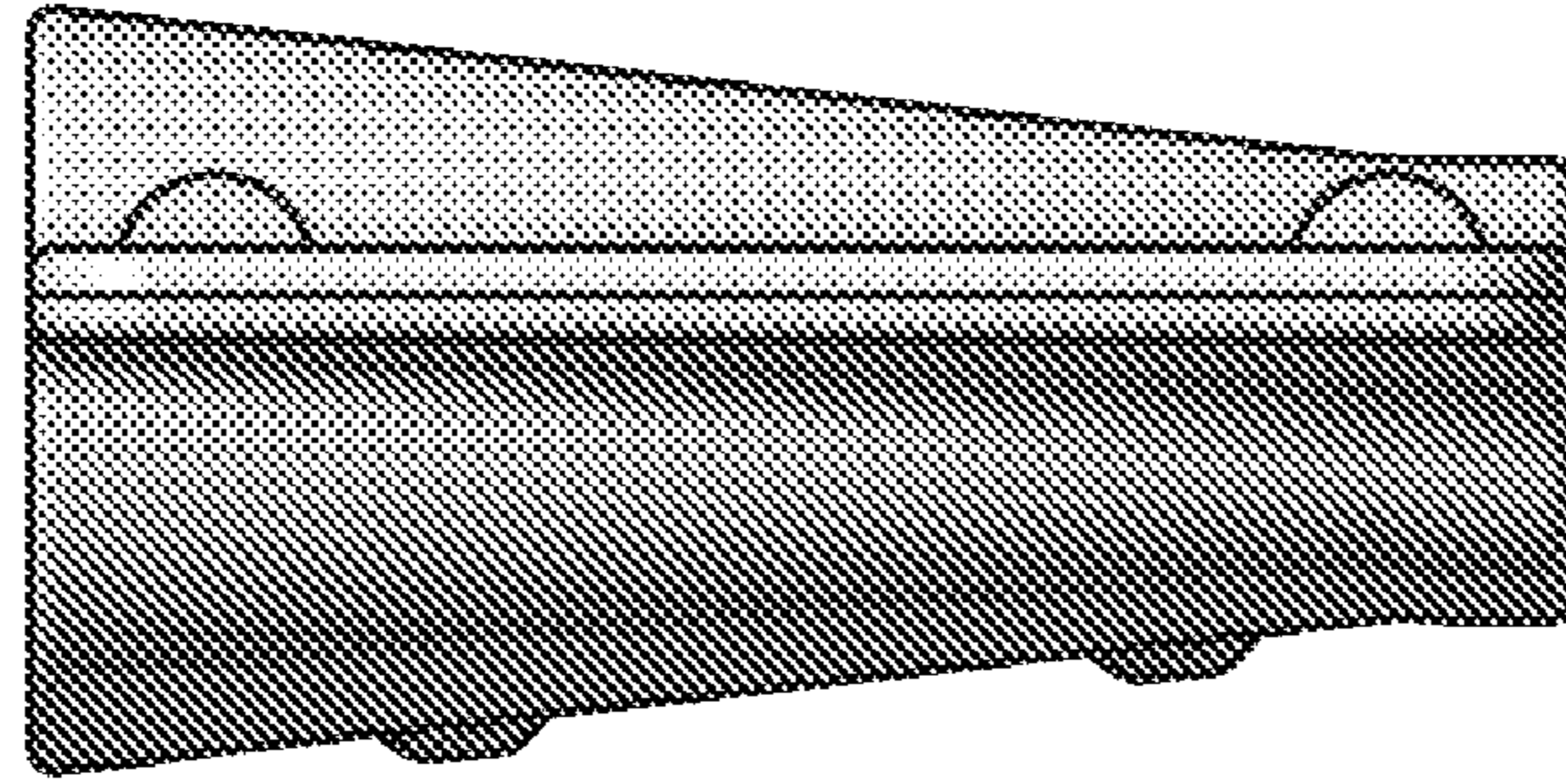


FIG. 6

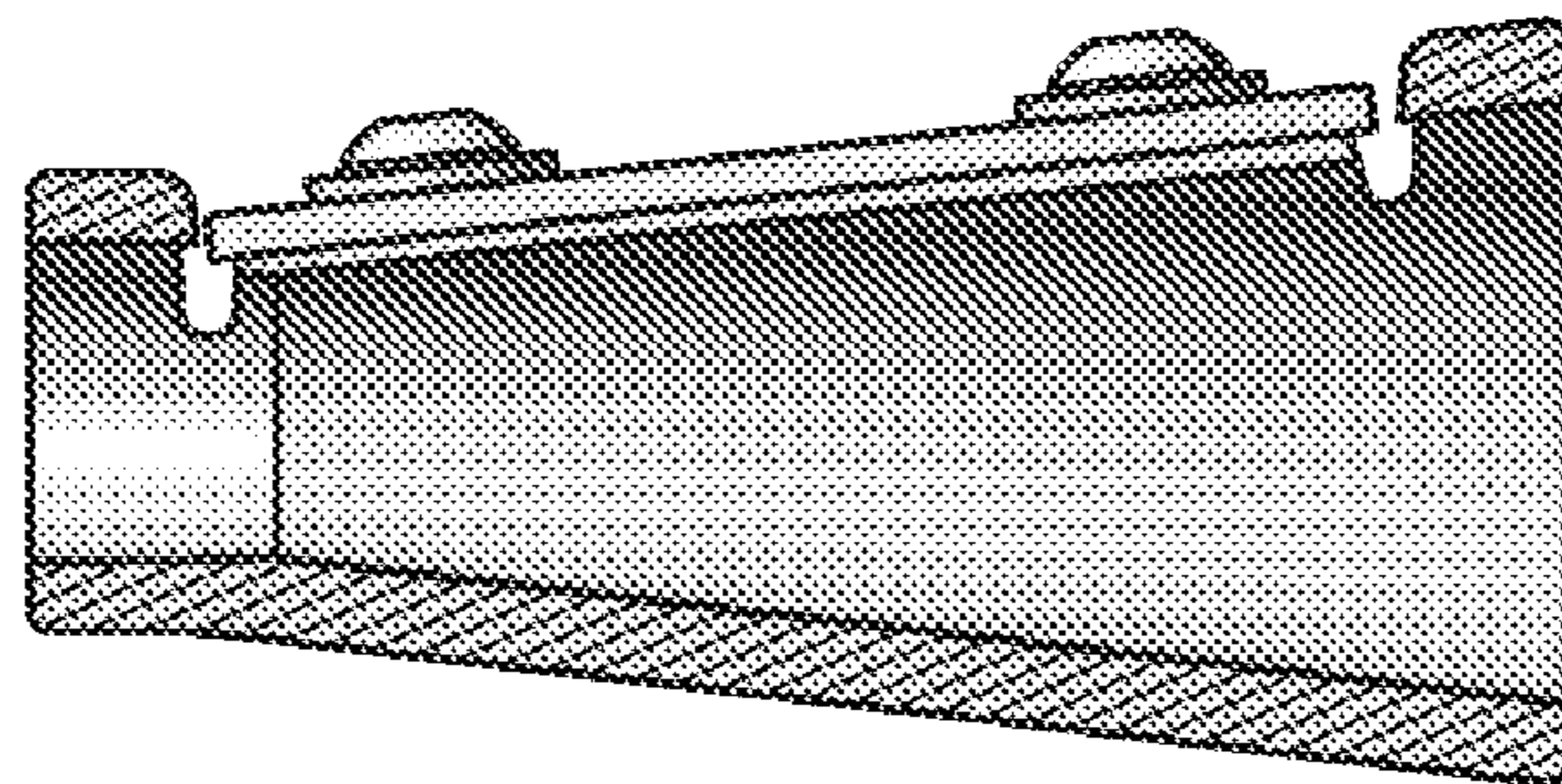


FIG. 7

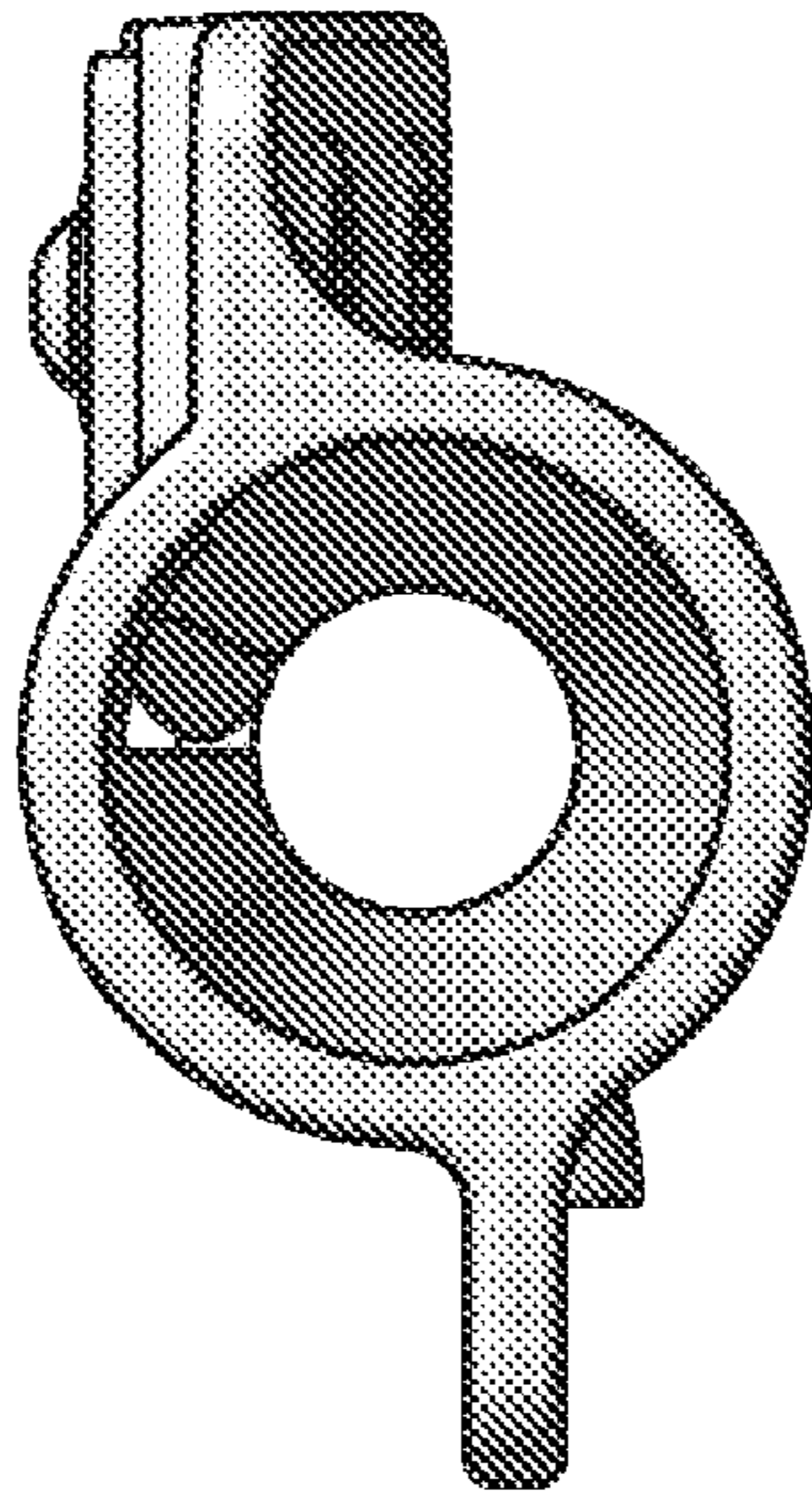


FIG. 8

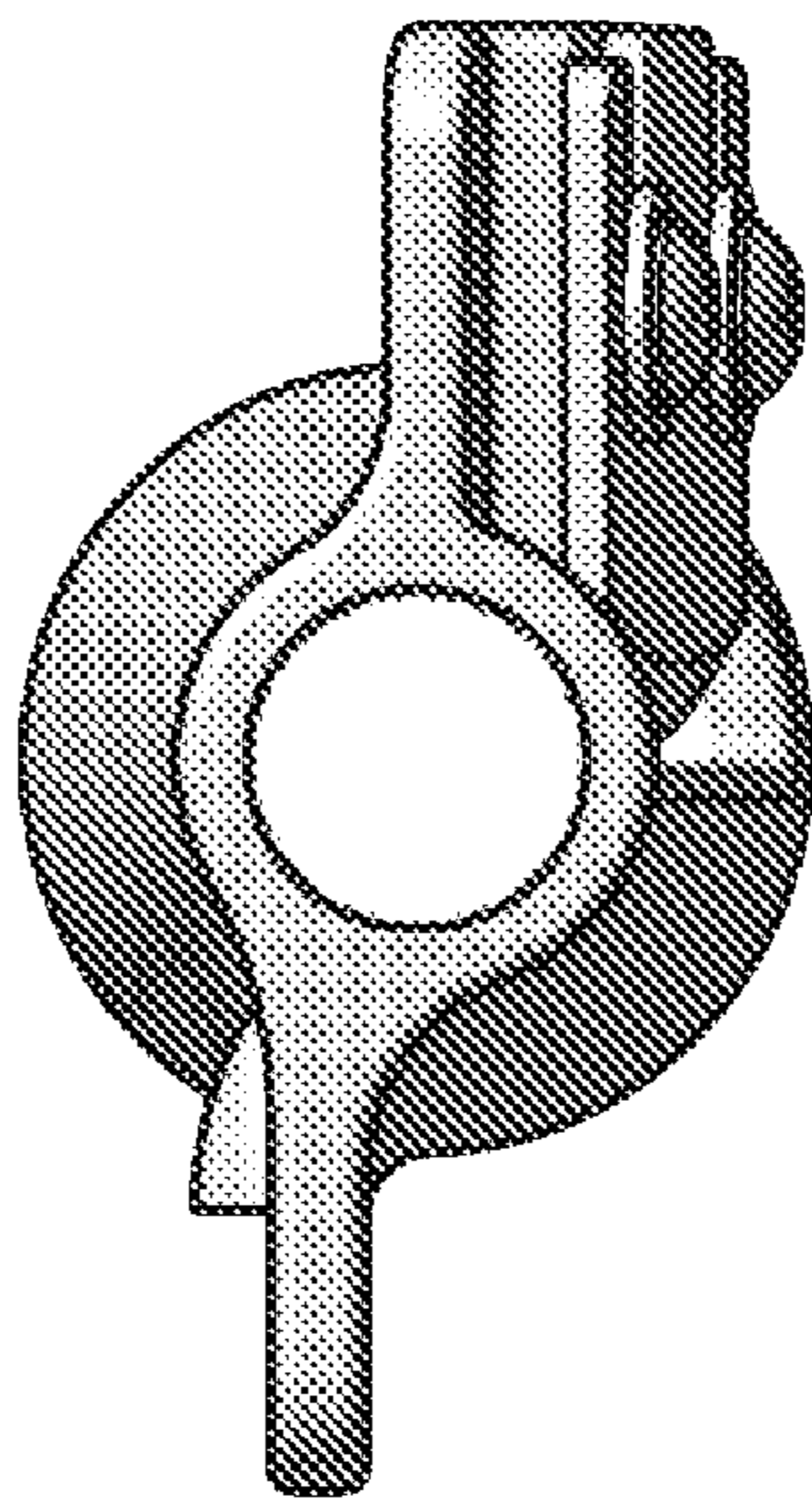


FIG. 9