

US00D547154S

(12) **United States Design Patent**
Lee

(10) **Patent No.:** **US D547,154 S**
(45) **Date of Patent:** **** Jul. 24, 2007**

(54) **ROTARY DRIVING TOOL**
(75) Inventor: **Timothy Lee, Hong Kong (CN)**
(73) Assignee: **Winsource Industries Limited (CN)**
(**) Term: **14 Years**
(21) Appl. No.: **29/265,805**
(22) Filed: **Sep. 8, 2006**

D502,854 S 3/2005 Ng
D513,160 S * 12/2005 DeBoer et al. D8/68
D516,889 S * 3/2006 Aglassinger D8/68
D520,835 S * 5/2006 Aglassinger D8/68
D524,133 S * 7/2006 Wu D8/68
D524,625 S * 7/2006 Wu D8/68
D527,236 S * 8/2006 Wu D8/68
2004/0251040 A1* 12/2004 Chu 173/217
2005/0194166 A1* 9/2005 Chu 173/217

(51) **LOC (8) Cl.** **08-05**
(52) **U.S. Cl.** **D8/68**
(58) **Field of Classification Search** D8/14.1,
D8/61, 62, 63, 64, 65, 66, 67, 68, 69, 70;
81/57.11, 429, 464, 465, 466, 469, 489; 173/13,
173/104, 114, 168, 169, 170, 171, 178, 201,
173/211, 213, 217; 408/20, 124, 125, 234,
408/241 R; 451/358; 310/50; 227/8, 113,
227/114, 120, 130, 136, 142
See application file for complete search history.

* cited by examiner

Primary Examiner—T. Chase Nelson
(74) *Attorney, Agent, or Firm*—Stephen D. Carver

(56) **References Cited**

U.S. PATENT DOCUMENTS

D154,713 S * 8/1949 Robillard D8/68
4,448,098 A * 5/1984 Totsu 81/57.11
D462,593 S * 9/2002 Nottingham et al. D8/68
D468,610 S * 1/2003 Chien D8/68
D486,713 S * 2/2004 Lai D8/68

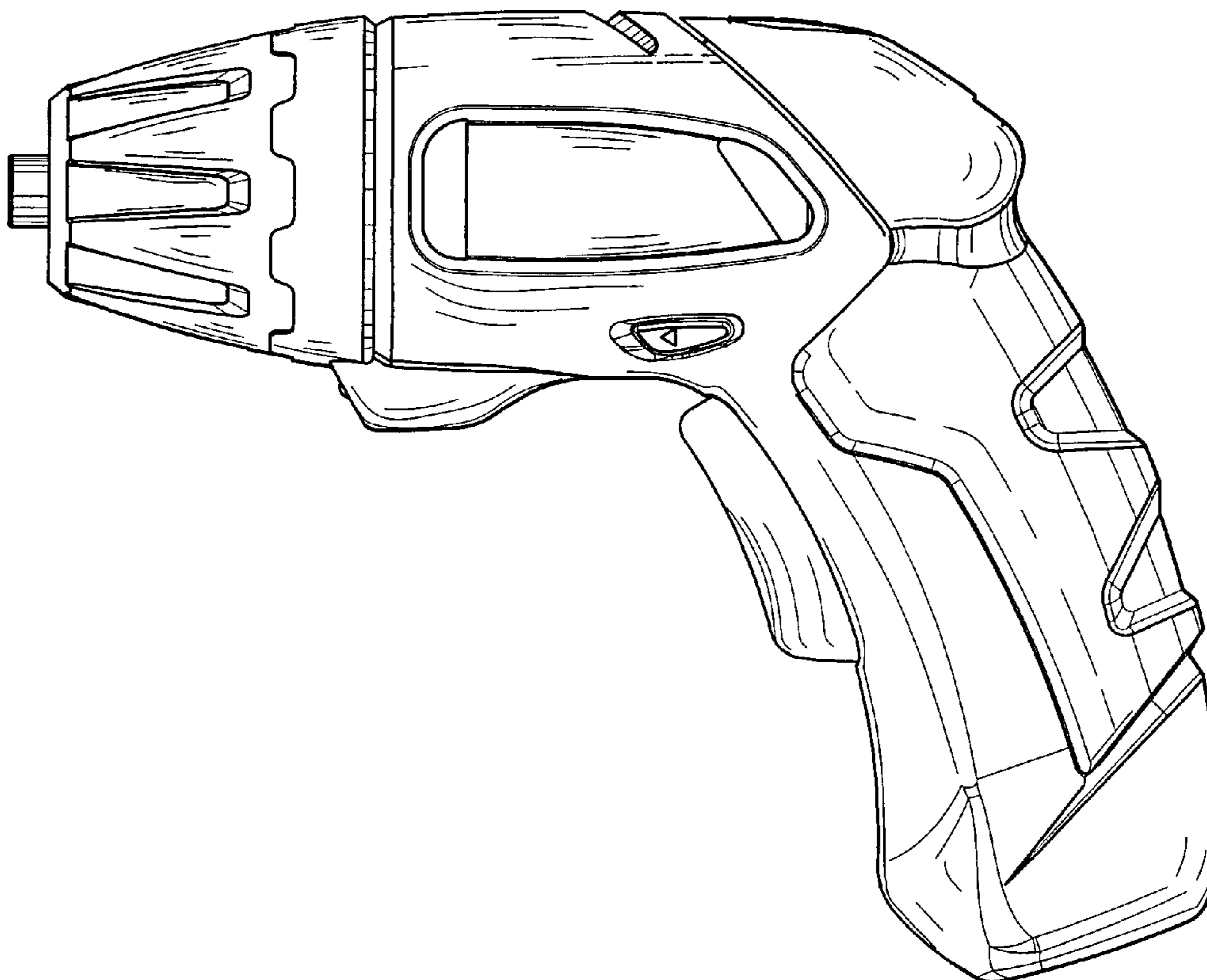
(57) **CLAIM**

The ornamental design for a rotary driving tool, as shown.

DESCRIPTION

FIG. 1 is a right side elevational view of my rotary driving tool showing my new design;
FIG. 2 is a rear plan view thereof;
FIG. 3 is a front plan view thereof;
FIG. 4 is a top plan view thereof;
FIG. 5 is a bottom plan view thereof; and,
FIG. 6 is a left side elevational view thereof.

1 Claim, 5 Drawing Sheets



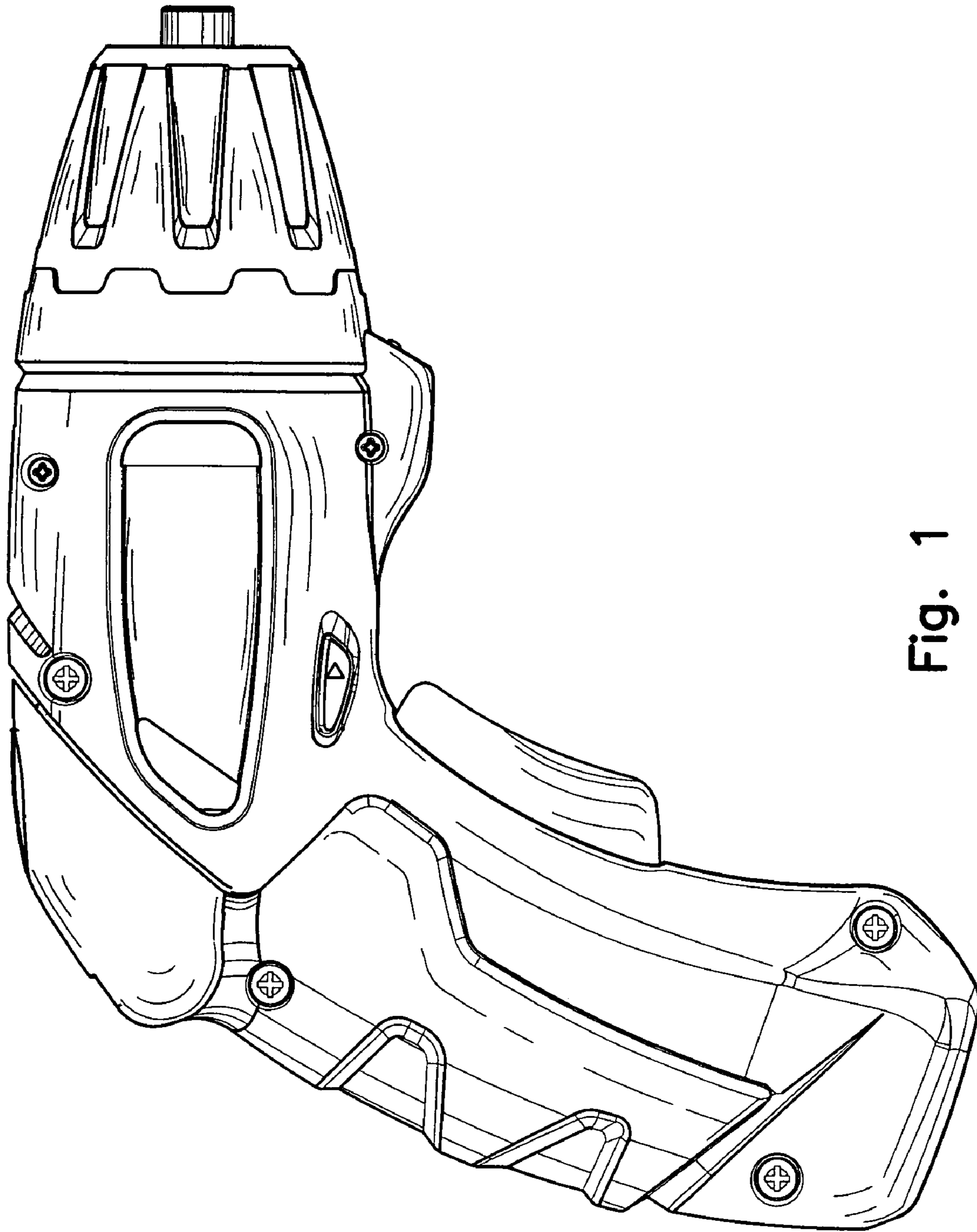


Fig. 1

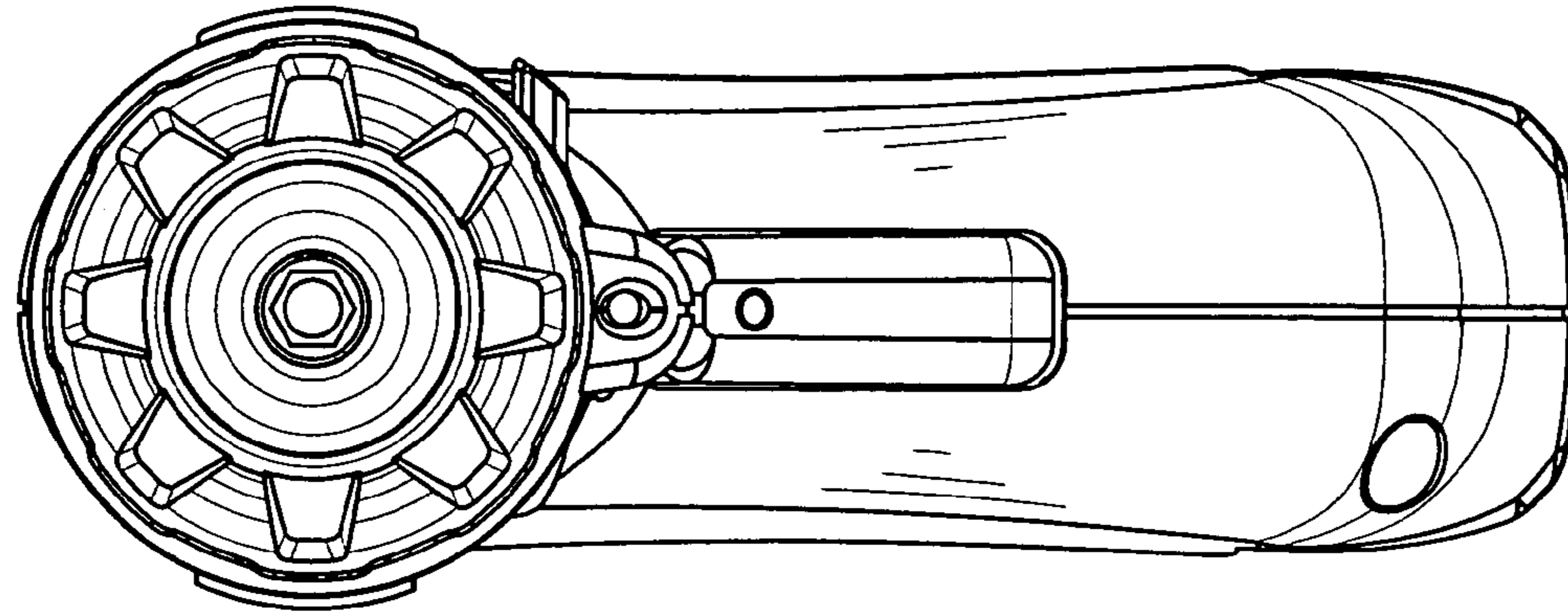


Fig. 3

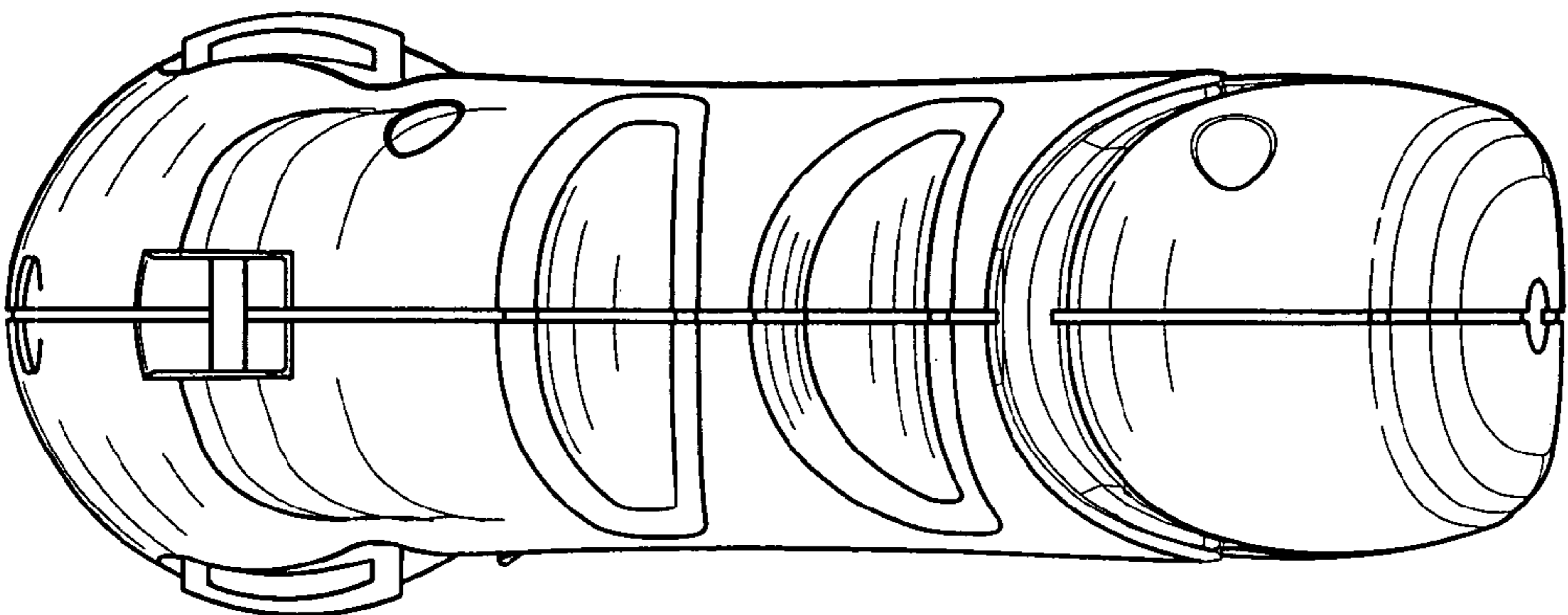


Fig. 2

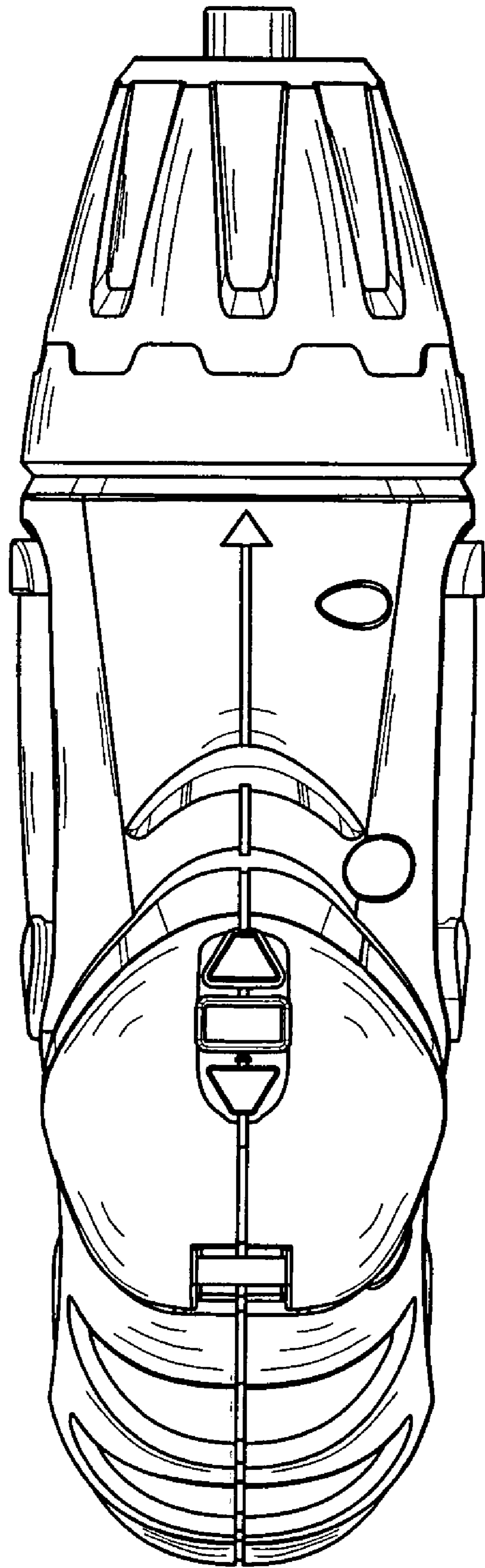


Fig. 4

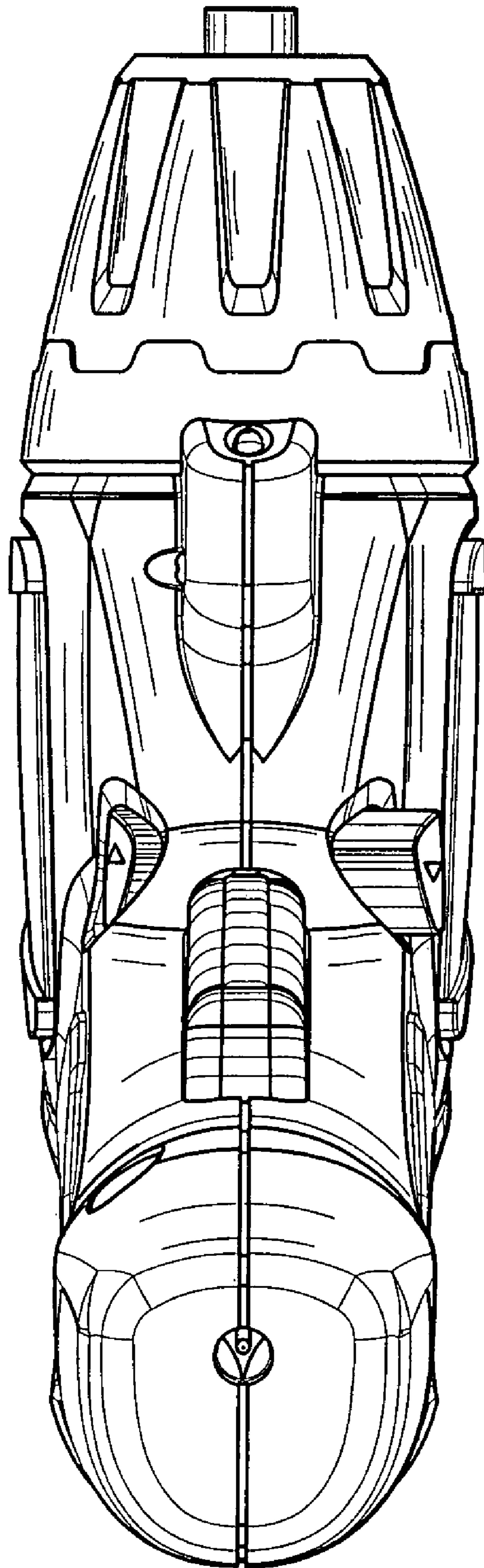


Fig. 5

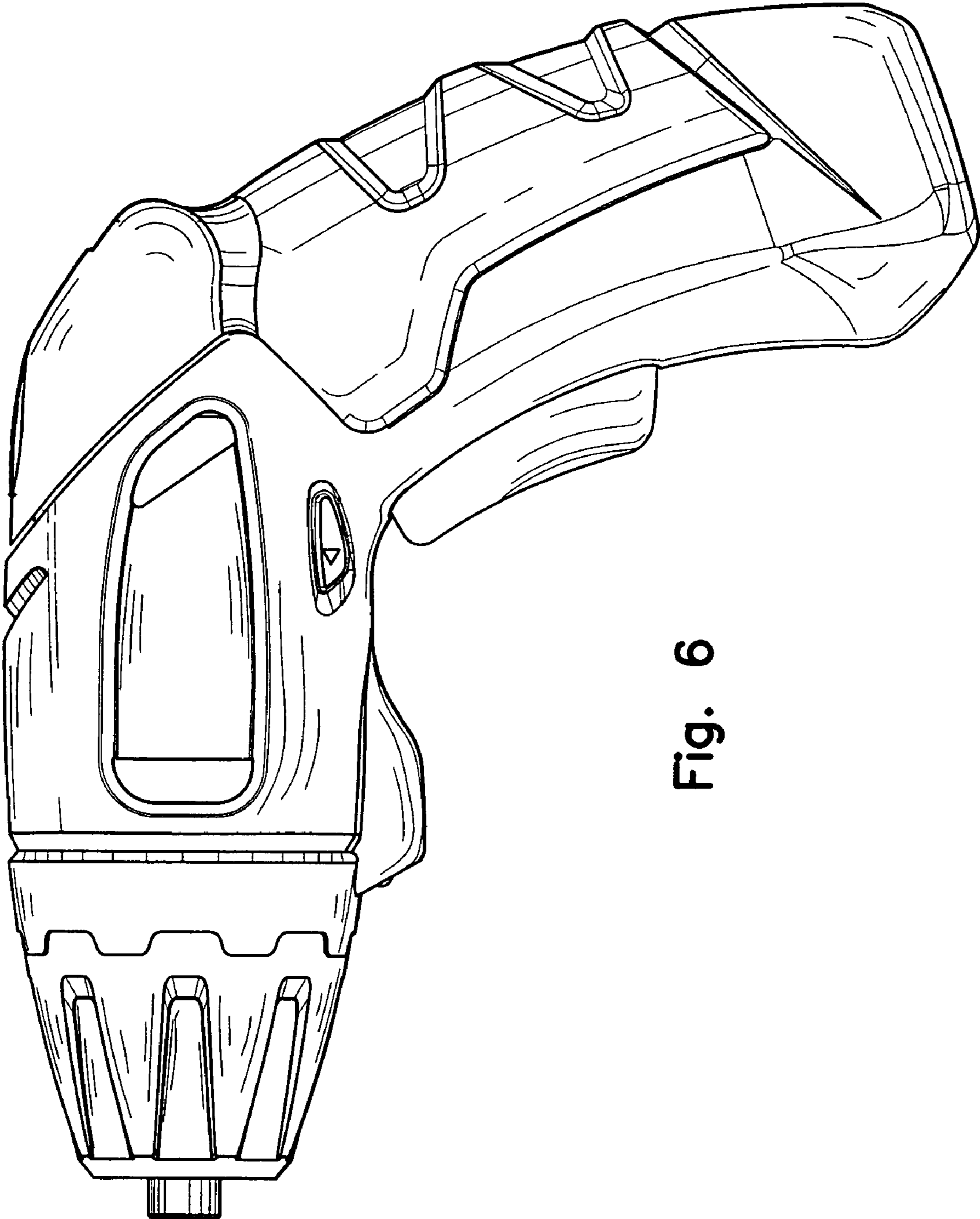


Fig. 6