

US00D547151S

(12) **United States Design Patent**  
**Lin**

(10) **Patent No.:** **US D547,151 S**

(45) **Date of Patent:** **\*\* Jul. 24, 2007**

(54) **MAIN BODY OF A WRENCH**

(75) Inventor: **Chun-Lang Lin**, Dali (TW)

(73) Assignee: **Advance Team Power Inc.**, Taichung County (TW)

(\*\*) Term: **14 Years**

(21) Appl. No.: **29/265,339**

(22) Filed: **Aug. 30, 2006**

(51) **LOC (8) Cl.** ..... **08-05**

(52) **U.S. Cl.** ..... **D8/25**

(58) **Field of Classification Search** ..... D8/17,  
D8/21-29, 81-87, 102-107, 98-99, 55, 93,  
D8/94; 81/60-63.2, 177.1, 177.85, 177.8,  
81/489, 125.1, 121.1, 119-120, 176.1, 186,  
81/177.9, 185.1, 176.2, 165, 170, 3.35, 58,  
81/3.45, 155; 206/378; 16/429, 441, 124.6;  
7/100, 138, 168, 157

See application file for complete search history.

(56) **References Cited**

**U.S. PATENT DOCUMENTS**

5,199,330 A \* 4/1993 Arnold et al. .... 81/63.2  
5,913,954 A \* 6/1999 Arnold et al. .... 81/63.1  
D429,979 S \* 8/2000 Chiang ..... D8/25

6,116,122 A \* 9/2000 Lien-Sheng ..... 81/177.1  
D431,763 S \* 10/2000 Liu ..... D8/25  
D471,776 S \* 3/2003 Wu ..... D8/25  
D515,373 S \* 2/2006 Chen ..... D8/27  
D526,865 S \* 8/2006 Liao ..... D8/25  
2002/0104410 A1\* 8/2002 Wang ..... 81/177.1

\* cited by examiner

*Primary Examiner*—Raphael Barkai

*Assistant Examiner*—Randall H. Gholson

(74) *Attorney, Agent, or Firm*—Rosenberg, Klein & Lee

(57) **CLAIM**

The ornamental design for a main body of a wrench, as shown and described.

**DESCRIPTION**

FIG. 1 is a perspective view of a main body of a wrench showing my new design;

FIG. 2 is a front elevational view thereof;

FIG. 3 is a rear elevational view thereof;

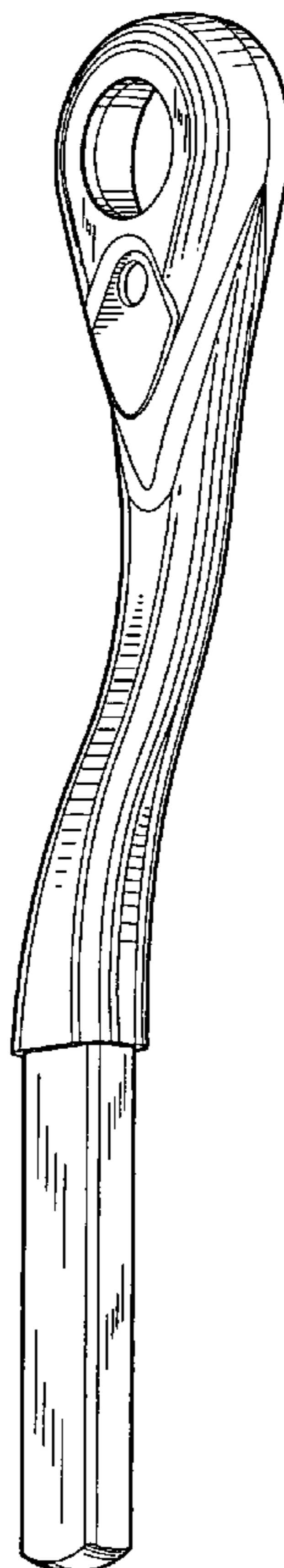
FIG. 4 is a left side view thereof;

FIG. 5 is a right side view thereof;

FIG. 6 is a top plain view thereof; and,

FIG. 7 is a bottom plain view thereof.

**1 Claim, 4 Drawing Sheets**



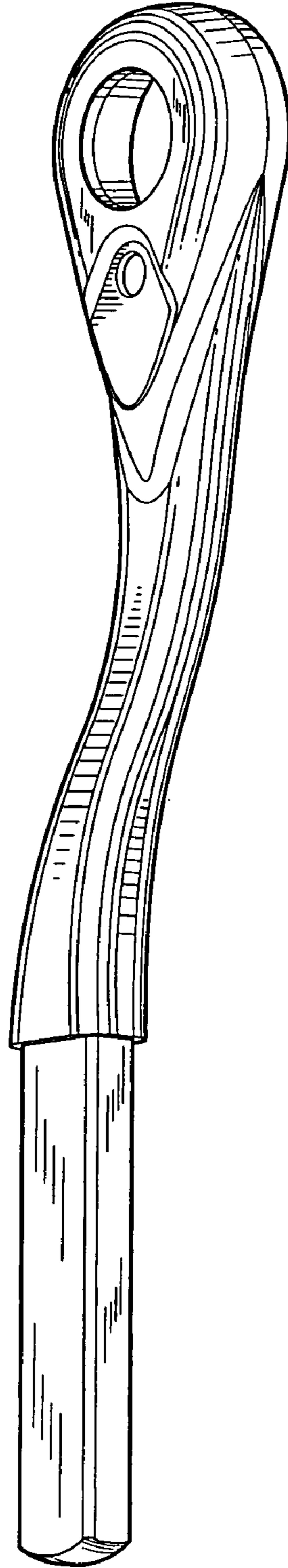


FIG. 1

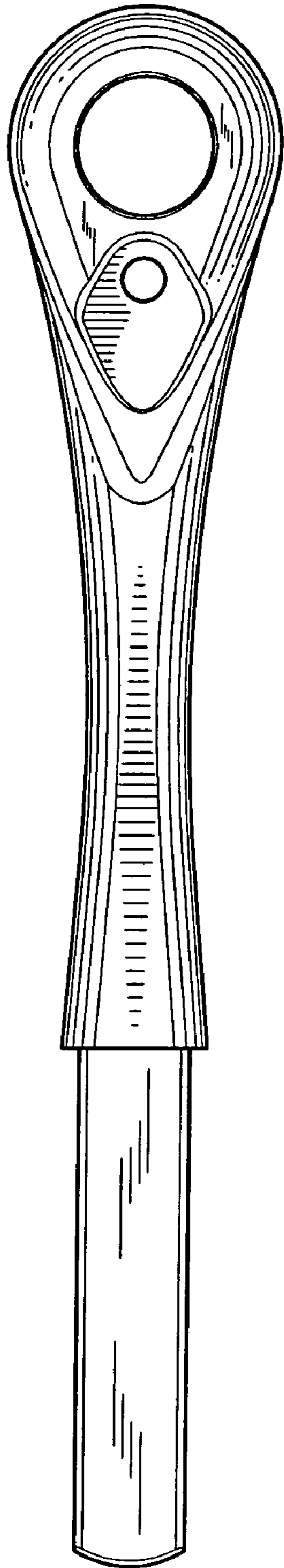


FIG. 2

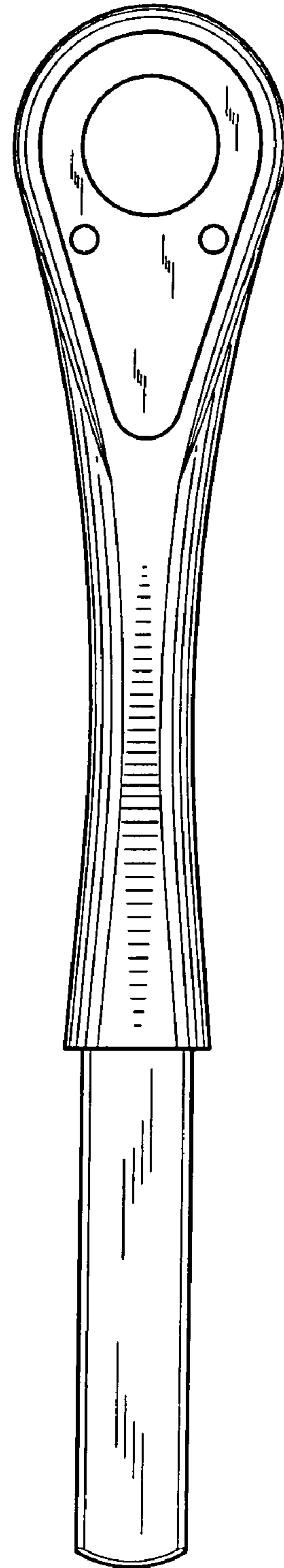


FIG. 3

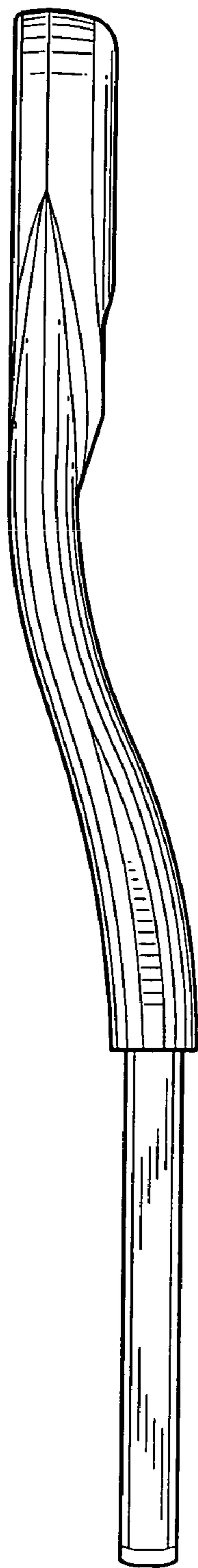


FIG. 4

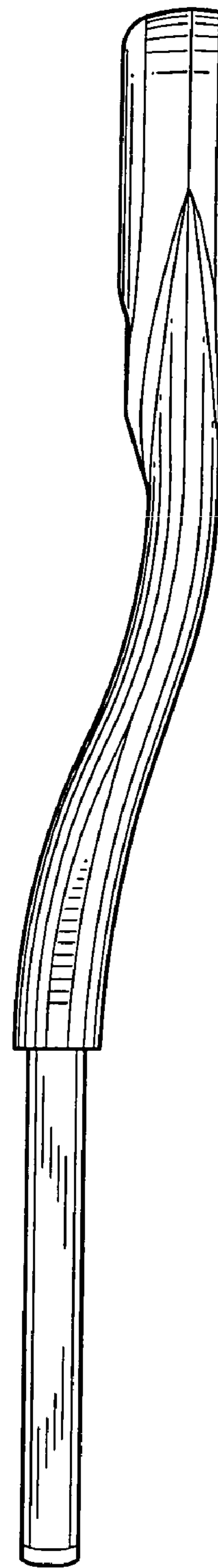


FIG. 5

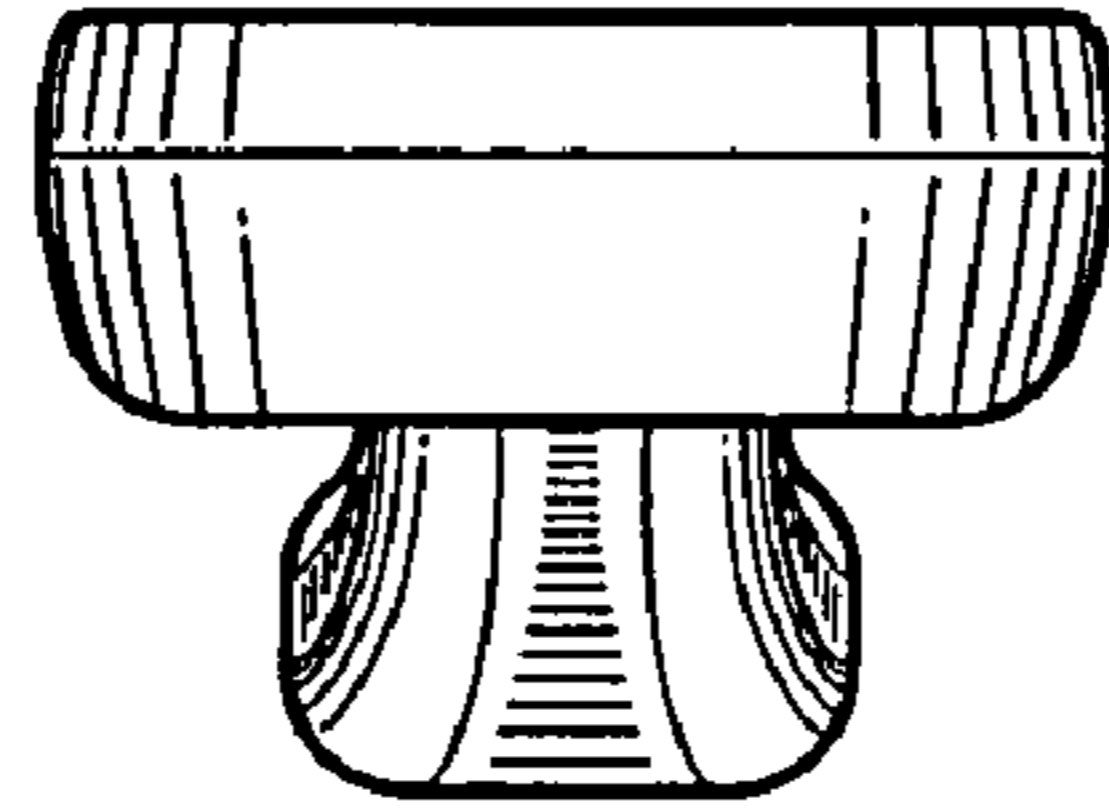


FIG. 6

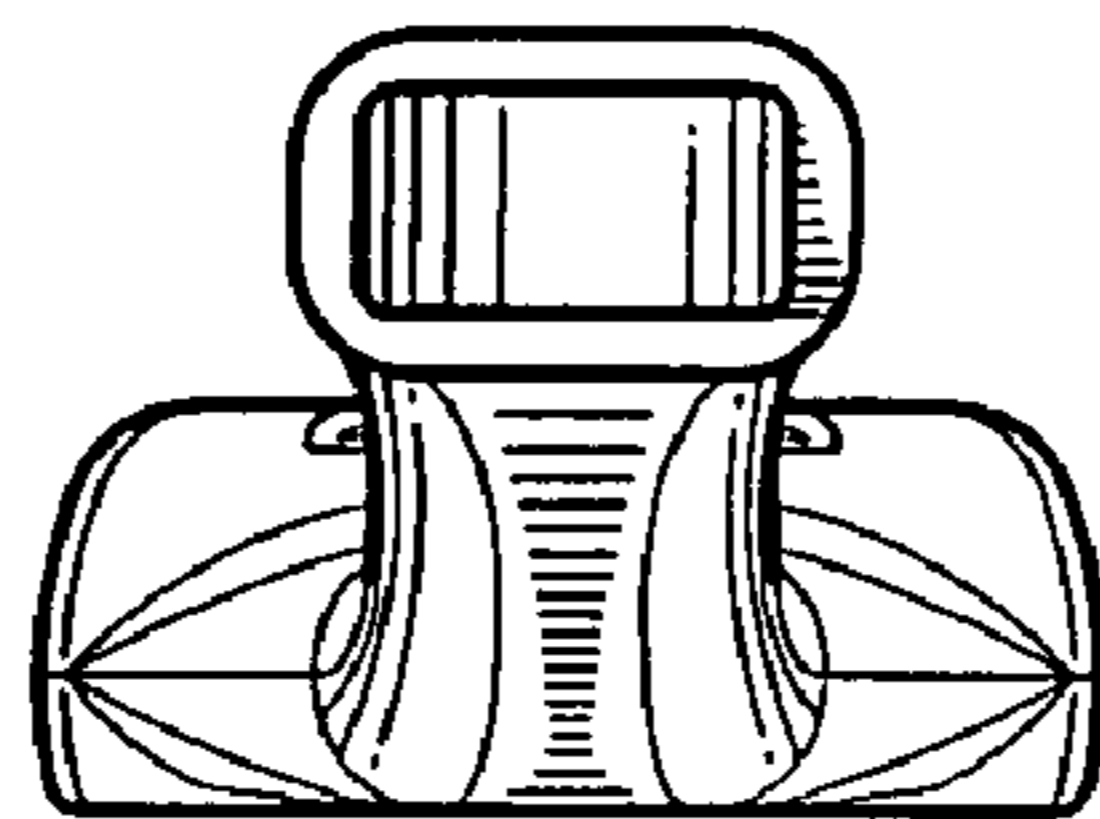


FIG. 7