



US00D547138S

(12) **United States Design Patent**
Goodman et al.

(10) **Patent No.: US D547,138 S**

(45) **Date of Patent: ** Jul. 24, 2007**

(54) **WALL MOUNT HORIZONTAL WINE RACK**

(75) Inventors: **Sheldon H. Goodman**, Solon, OH
(US); **Kent W. Murphy**, Wooster, OH
(US)

(73) Assignee: **Spectrum Diversified Designs, Inc.**,
Streetsboro, OH (US)

(**) Term: **14 Years**

(21) Appl. No.: **29/250,296**

(22) Filed: **Nov. 9, 2006**

(51) **LOC (8) Cl.** **07-06**

(52) **U.S. Cl.** **D7/704; D6/566**

(58) **Field of Classification Search** D7/701-708;
D6/552, 566, 512, 546-549, 458, 462; 211/13.1,
211/71.01, 74, 87.01, 181.1, 106, 94.2; 248/302,
248/304, 309.1, 311.3

See application file for complete search history.

(56) **References Cited**

U.S. PATENT DOCUMENTS

D298,713 S * 11/1988 Hinderaker et al. D6/552
5,711,436 A * 1/1998 Moeller et al. 211/94.02
D483,233 S * 12/2003 Chen D7/704
D484,345 S * 12/2003 Clucas D6/572

* cited by examiner

Primary Examiner—Terry A. Wallace

(74) *Attorney, Agent, or Firm*—Pearne & Gordon LLP

(57) **CLAIM**

The ornamental design for a wall mount horizontal wine rack, as shown and described.

DESCRIPTION

FIG. 1 is a perspective view of a wall mount horizontal wine rack, showing our new design;

FIG. 2 is a front elevational view thereof;

FIG. 3 is a top plan view thereof;

FIG. 4 is a side elevational view thereof;

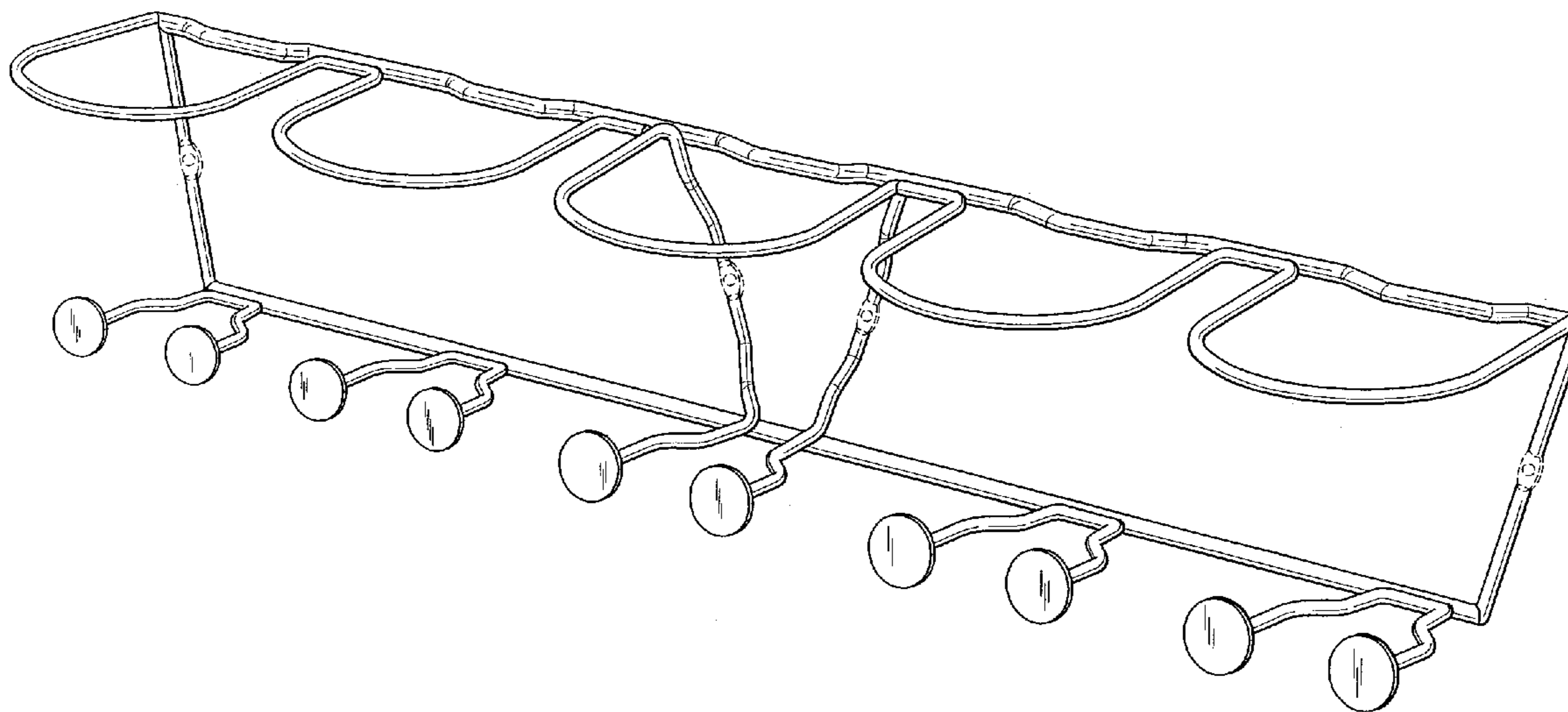
FIG. 5 is a bottom plan view thereof;

FIG. 6 is a rear elevational view thereof; and,

FIG. 7 is a perspective view of a second embodiment of a wall mount horizontal wine rack. The jagged broken lines form no part of the claimed design and the subject matter between the jagged lines is broken away to disclose indeterminate length and the wine rack may be longer and include more wine bottle holders formed by an upper hoop and a lower pair of supports.

The broken-line disclosure of elements in the views is for illustrative purposes only and forms no part of the claimed design.

1 Claim, 4 Drawing Sheets



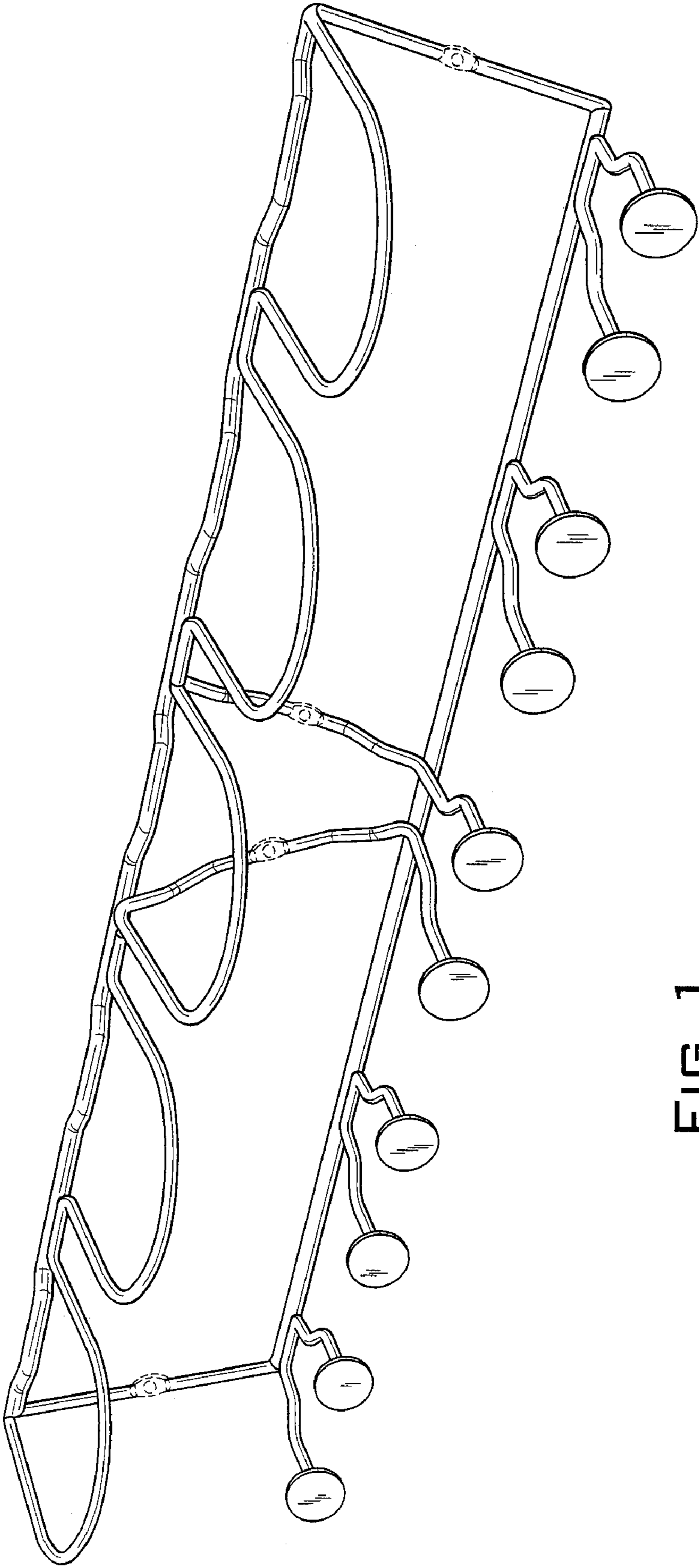


FIG. 1

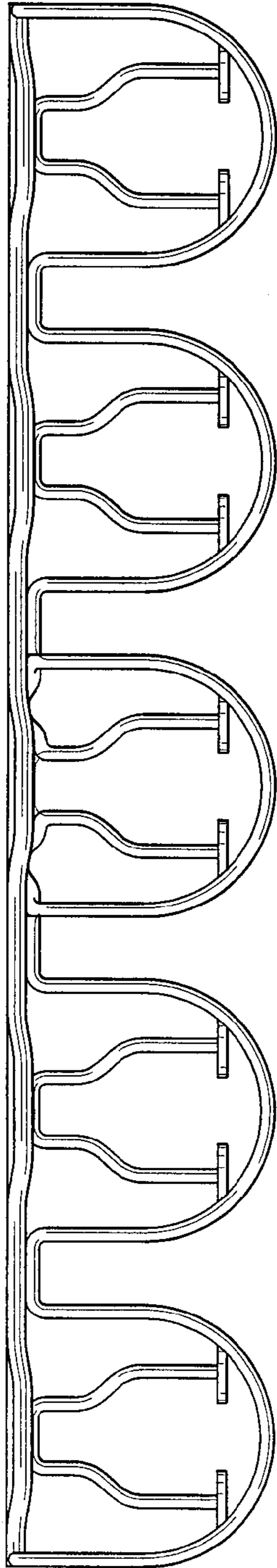


FIG. 3

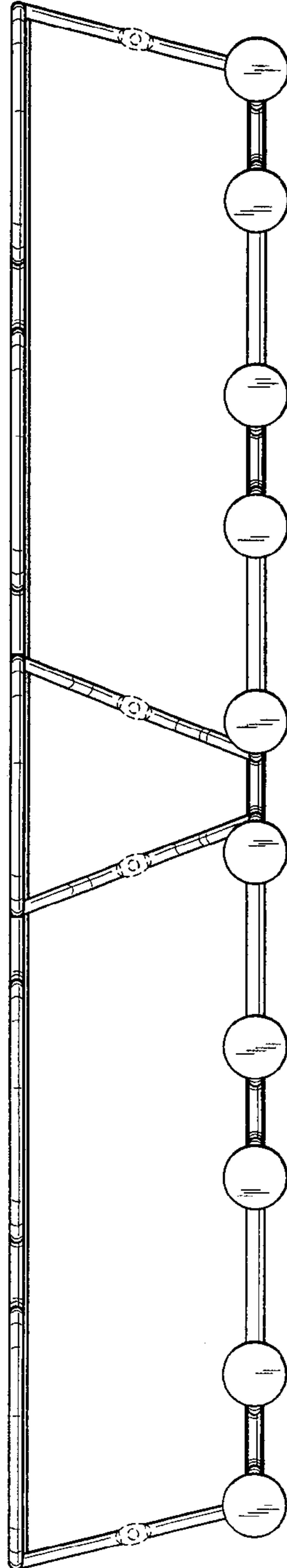


FIG. 2

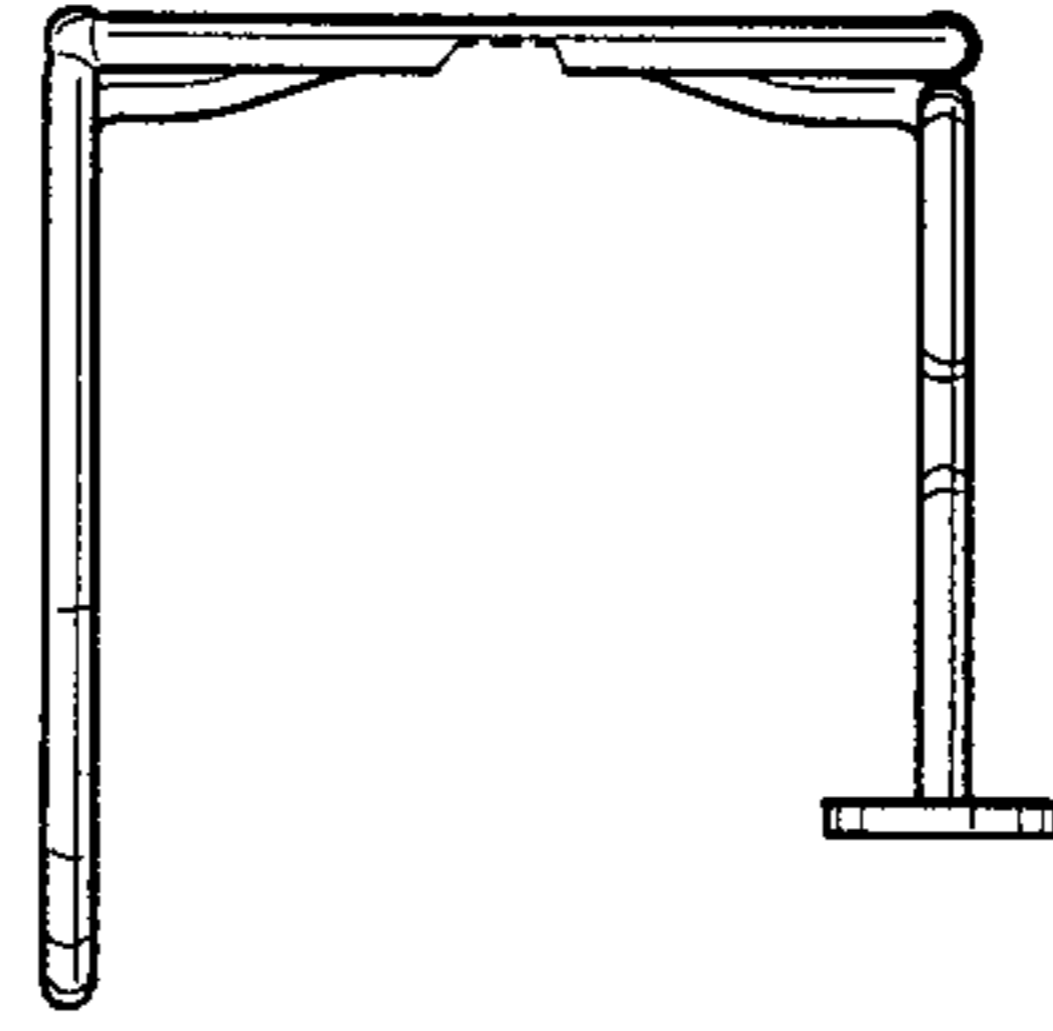


FIG. 4

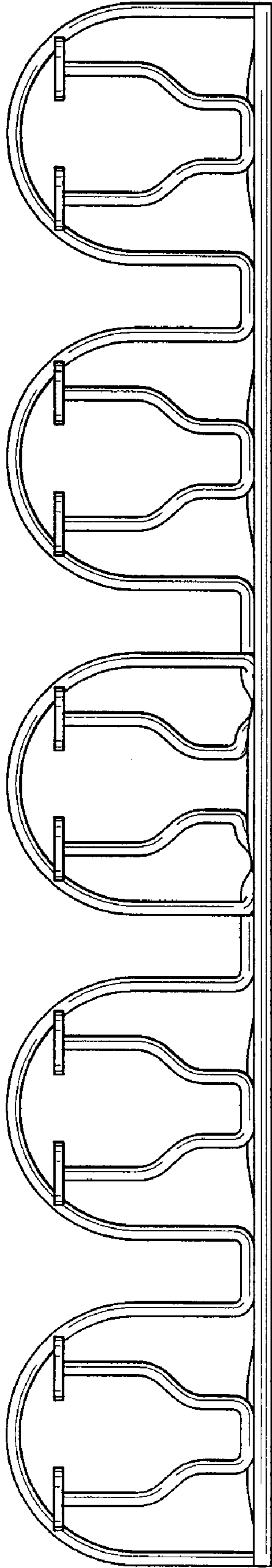


FIG. 5

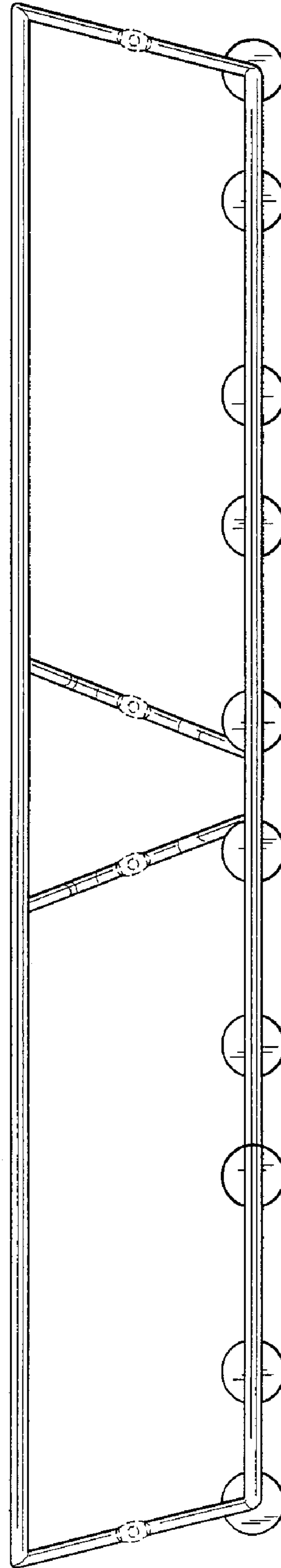


FIG. 6

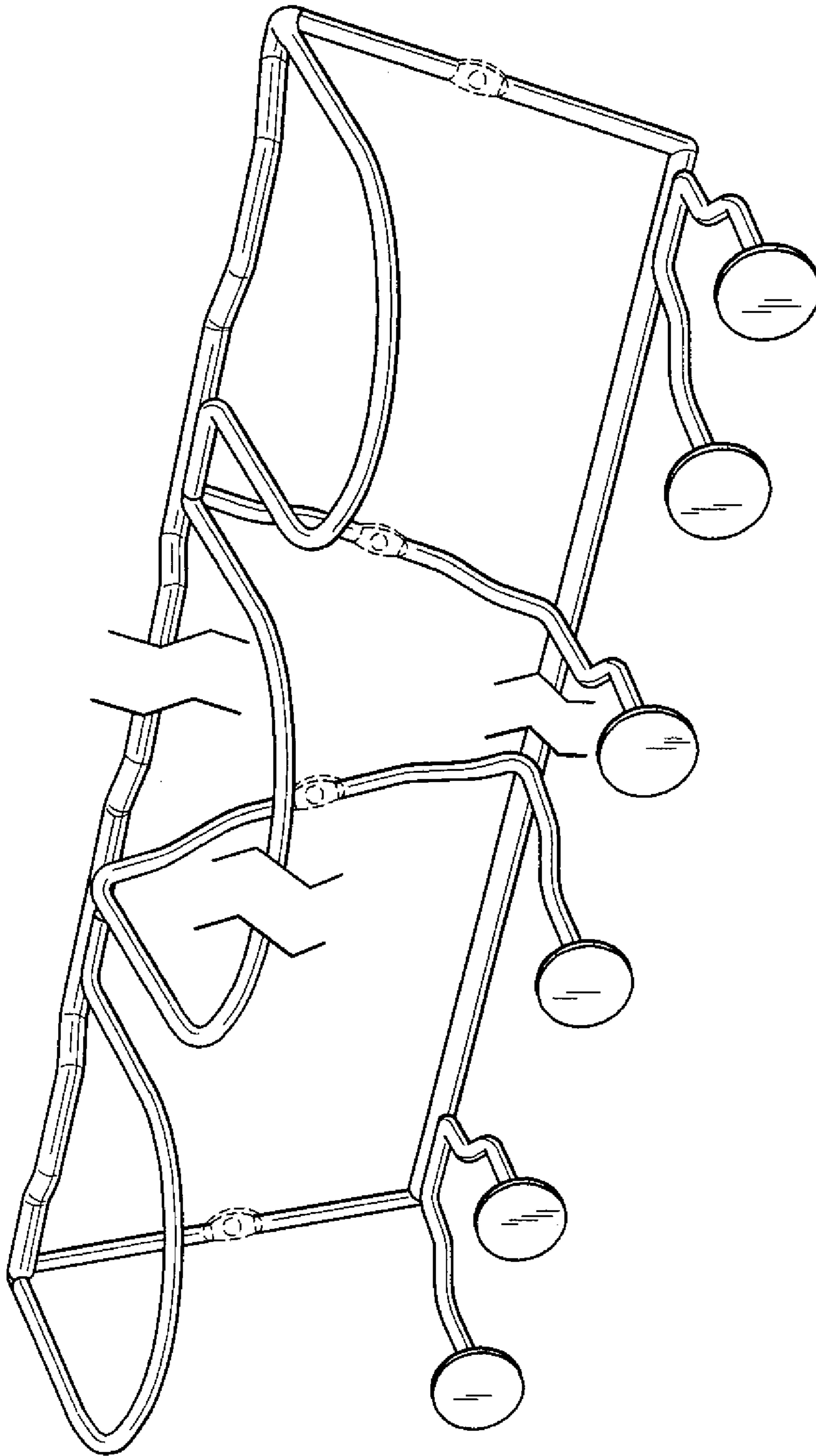


FIG. 7