



US00D547137S

(12) **United States Design Patent**
Chen

(10) **Patent No.:** **US D547,137 S**

(45) **Date of Patent:** **** Jul. 24, 2007**

(54) **CUTTER FOR CHEESE**

D450,224 S * 11/2001 Dweck D7/698

D465,137 S * 11/2002 Wong D7/693

D484,370 S * 12/2003 Bodum D7/672

(75) Inventor: **Johnson Chen**, Taipei (TW)

(73) Assignee: **Well Join Industry Co., Ltd.**, Taipei (TW)

* cited by examiner

Primary Examiner—Terry A. Wallace

(**) Term: **14 Years**

(74) *Attorney, Agent, or Firm*—Marger Johnson & McCollom, PC

(21) Appl. No.: **29/248,433**

(57) **CLAIM**

(22) Filed: **Aug. 16, 2006**

The ornamental design for cutter for cheese, as shown and described.

(51) **LOC (8) Cl.** **07-04**

(52) **U.S. Cl.** **D7/672**

(58) **Field of Classification Search** D7/672,
D7/673, 693, 698; 30/304, 123; 83/762,
83/870, 167, 648, 651, 701, 574, 608, 527,
83/609, 663; 241/262; 220/574; 269/302.1,
269/289 R

See application file for complete search history.

DESCRIPTION

FIG. 1 is a perspective view of cutter for cheese showing my new design;

FIG. 2 is a front elevational view thereof;

FIG. 3 is a rear elevational view thereof;

FIG. 4 is a left side elevational view thereof;

FIG. 5 is a right side elevational view thereof;

FIG. 6 is a top plan view thereof; and,

FIG. 7 is a bottom plan view thereof.

(56) **References Cited**

U.S. PATENT DOCUMENTS

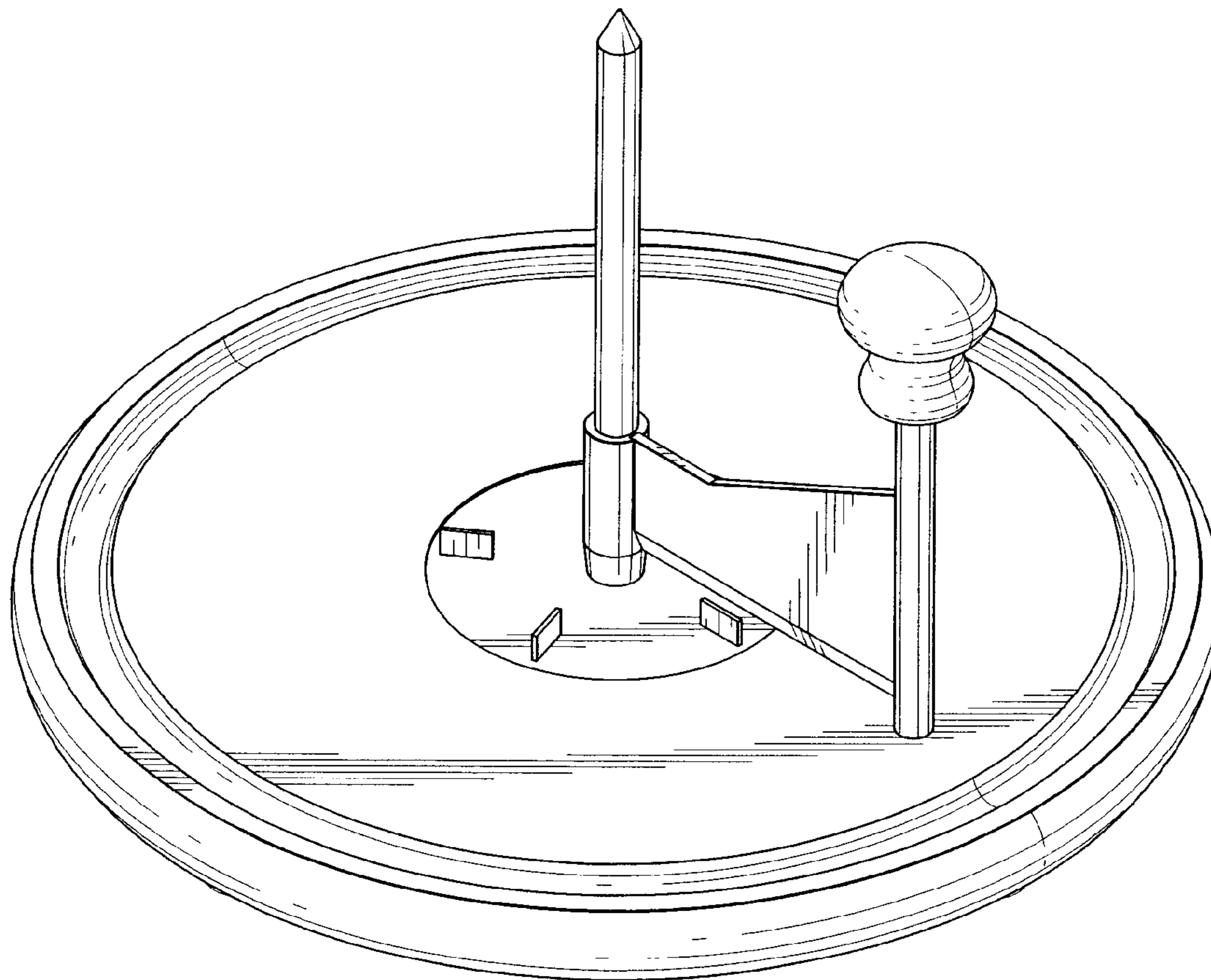
2,520,790 A * 8/1950 Wesik 99/495

2,822,845 A * 2/1958 Wiley 83/574

3,696,849 A * 10/1972 Davis 241/262

3,780,436 A * 12/1973 Pellman 30/123

1 Claim, 7 Drawing Sheets



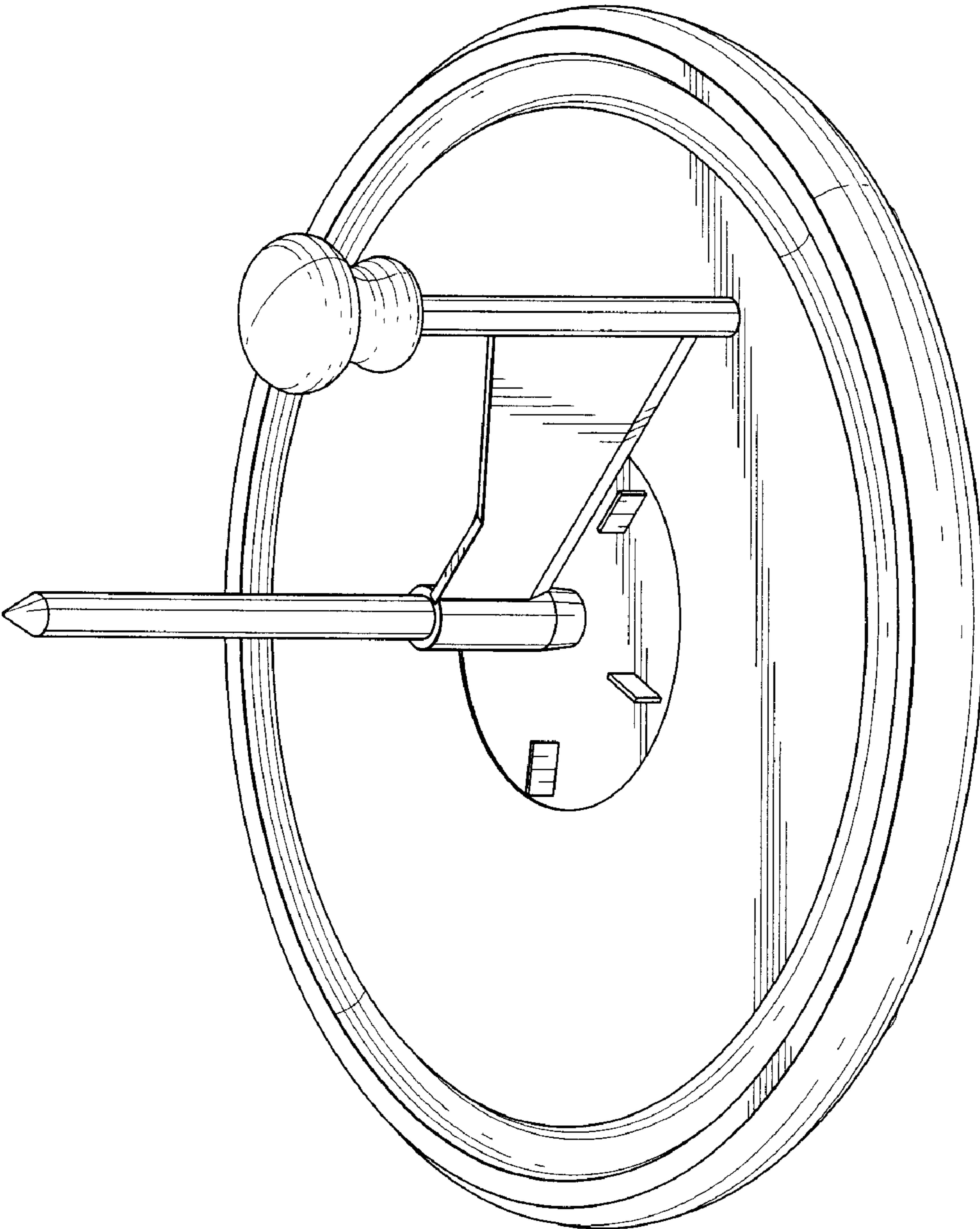


FIG. 1

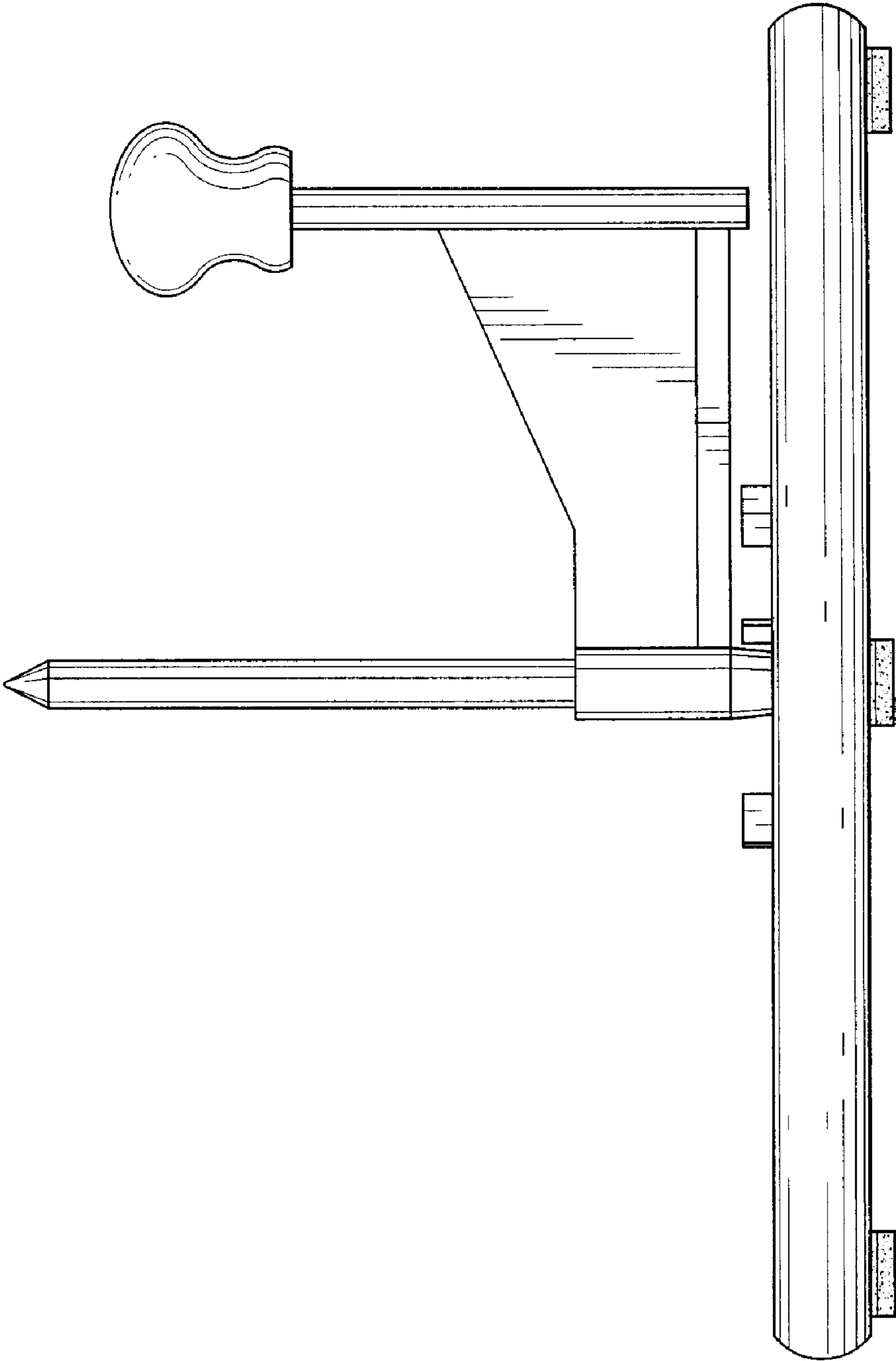


FIG. 2

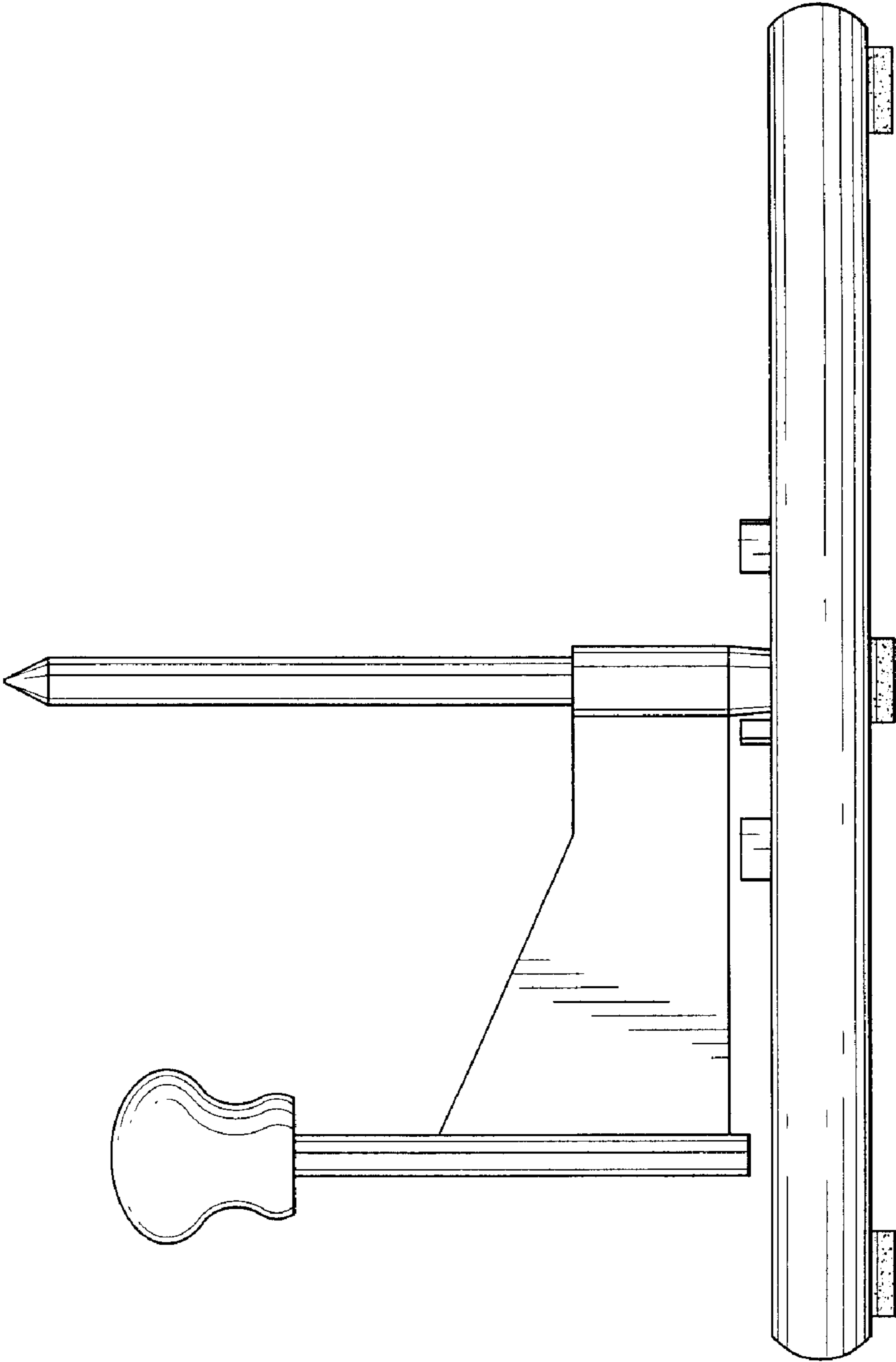


FIG. 3

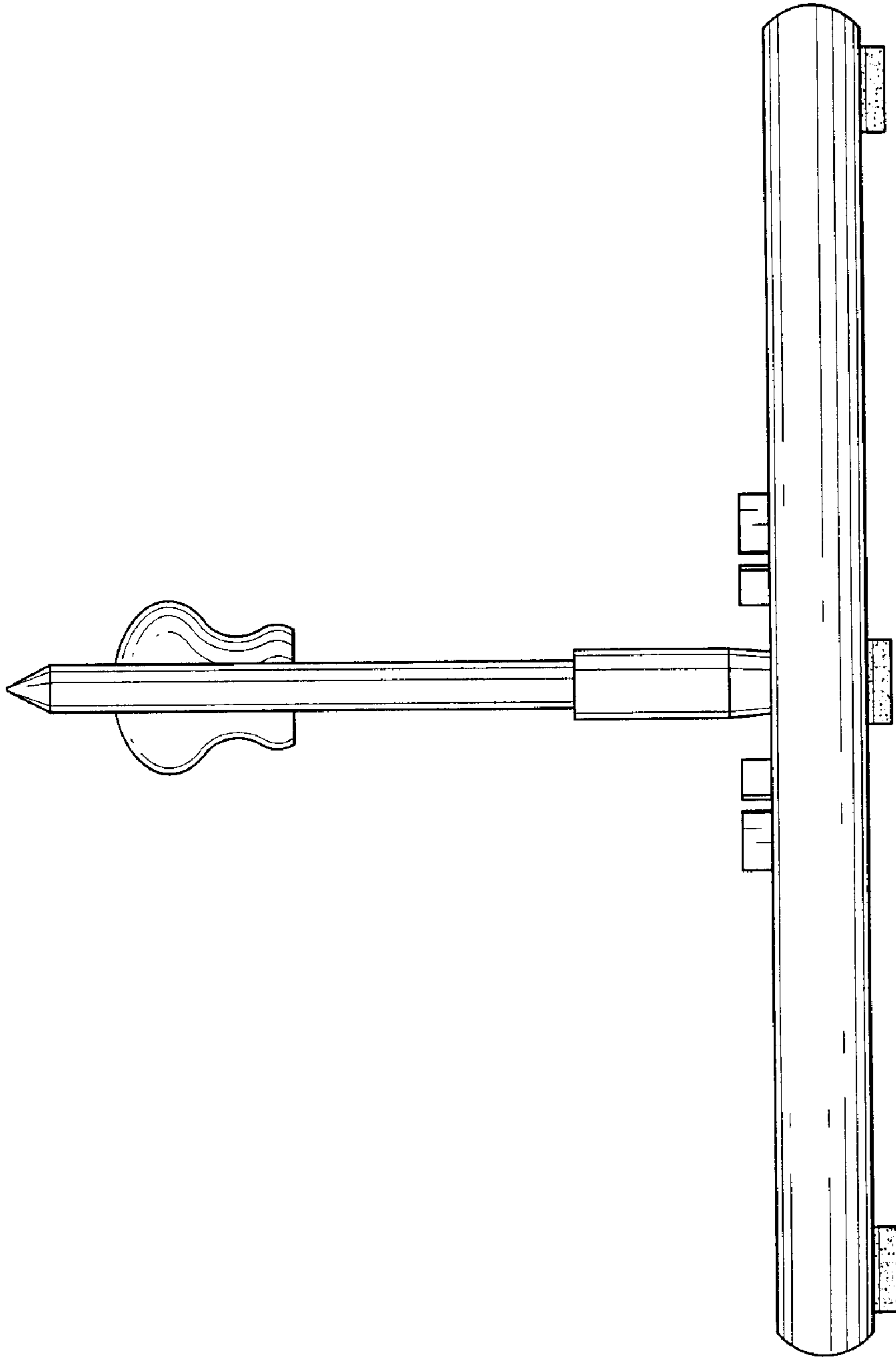


FIG. 4

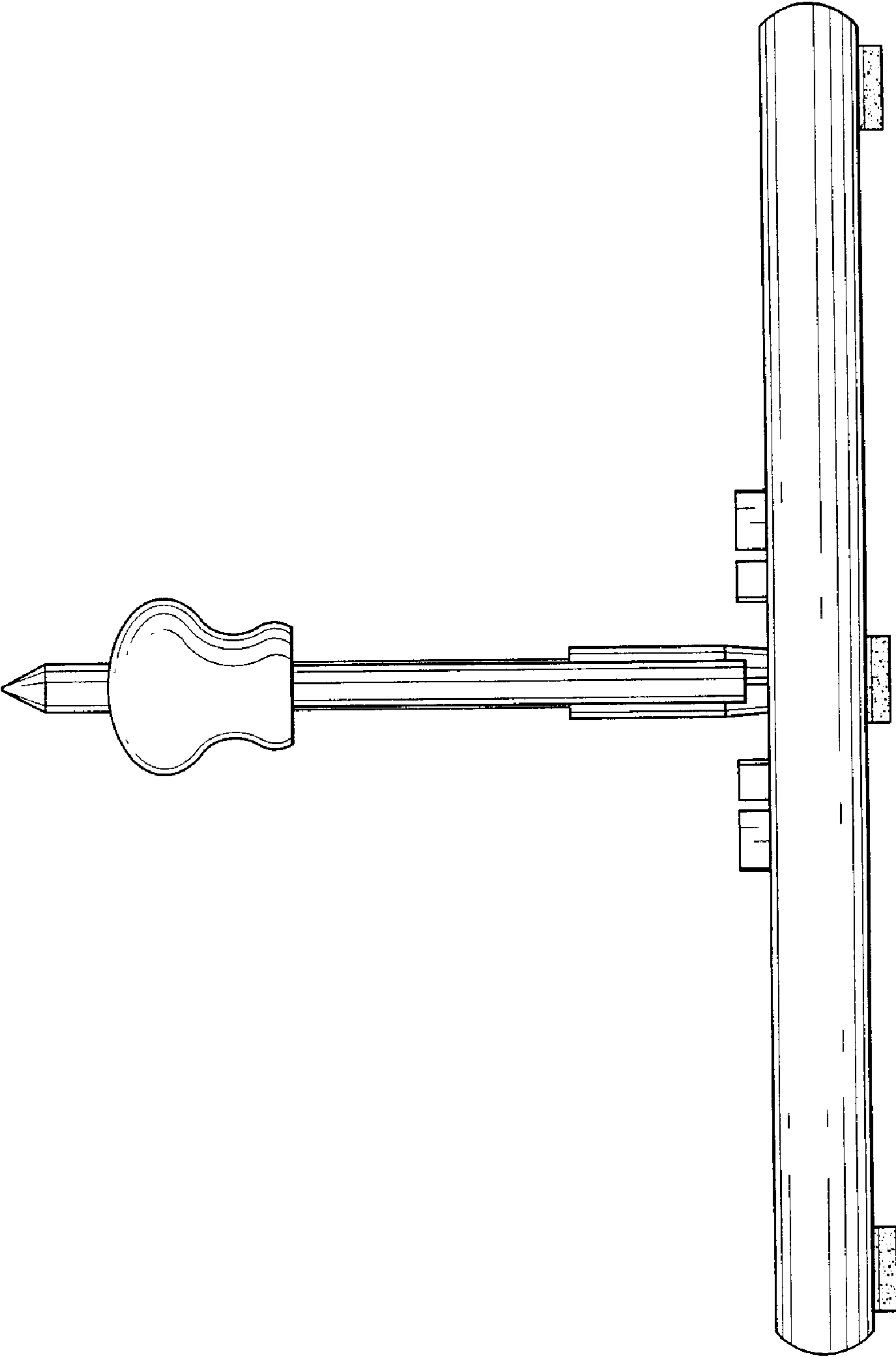


FIG. 5

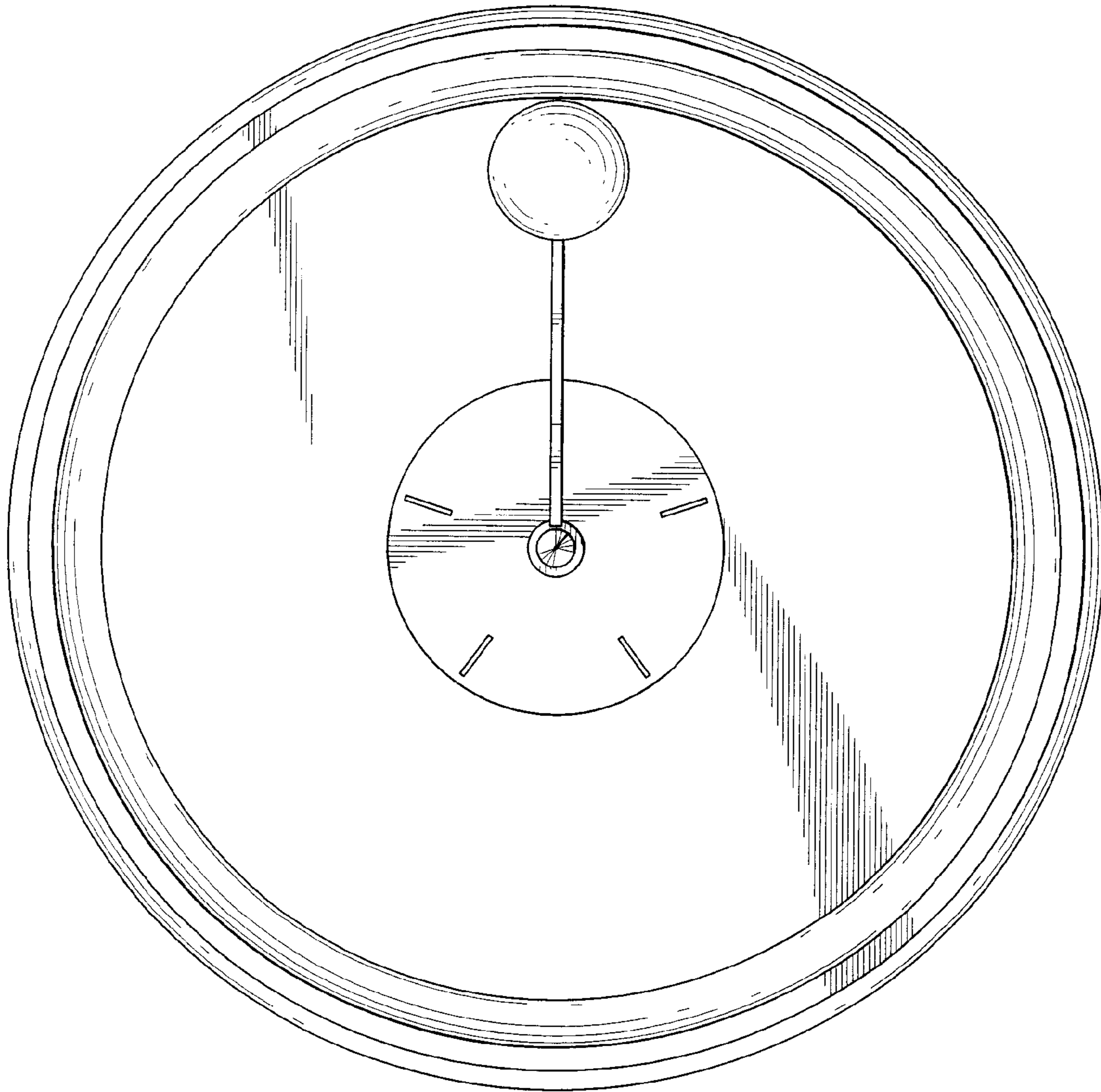


FIG. 6

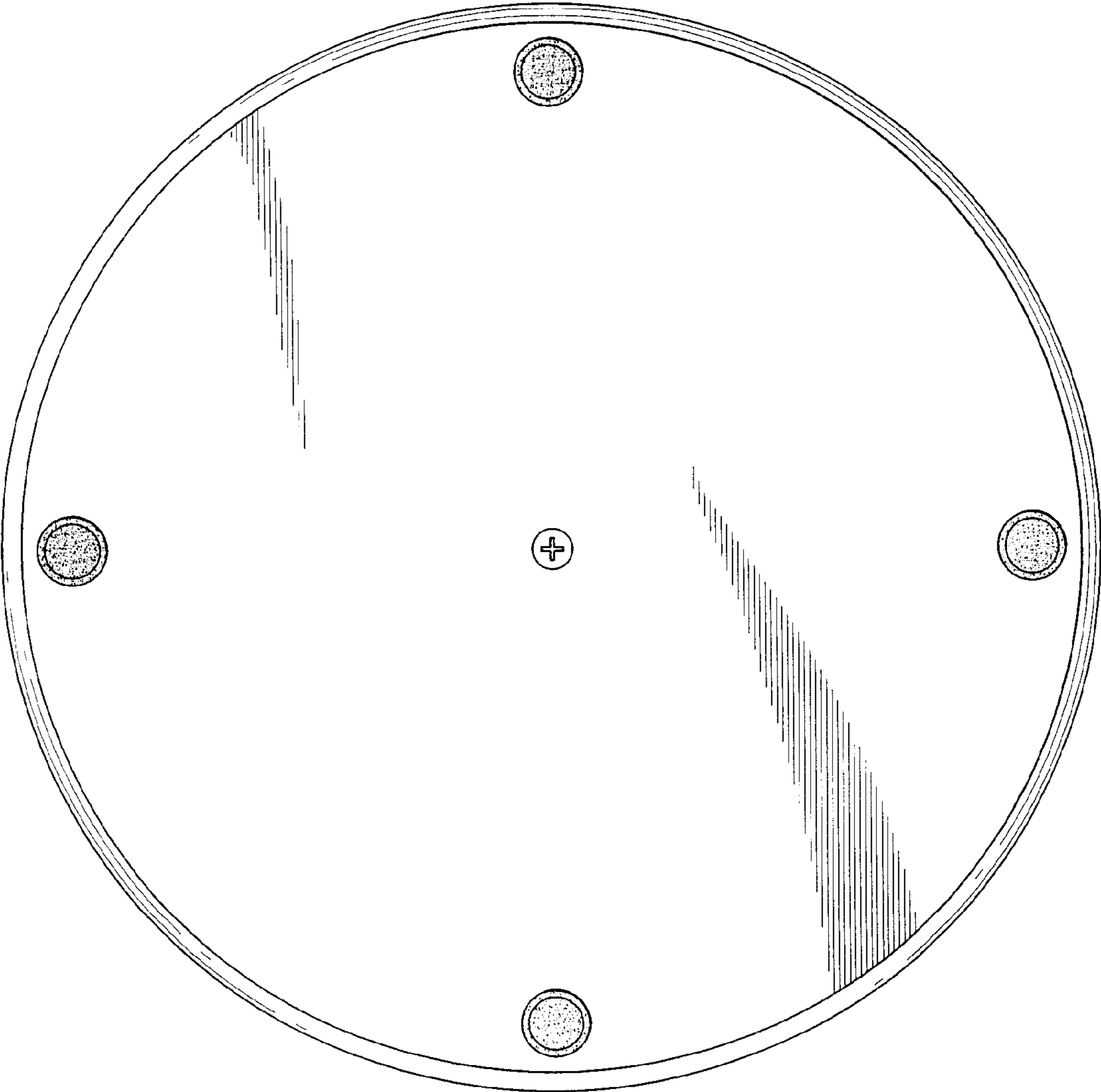


FIG. 7