



US00D547134S

(12) **United States Design Patent**
Everett et al.

(10) **Patent No.: US D547,134 S**

(45) **Date of Patent: ** Jul. 24, 2007**

(54) **SPOON**

(76) Inventors: **Stewart Neil Everett**, The Chapel Bell Lane, Poulton, Near Cirencester, Gloucestershire (GB) GL7 5JF; **Claire Clare**, 17 Ampney Crucis, Cirencester (GB) GL7 5RZ

(**) Term: **14 Years**

(21) Appl. No.: **29/265,991**

(22) Filed: **Sep. 12, 2006**

(51) **LOC (8) Cl. 07-03**

(52) **U.S. Cl. D7/653**

(58) **Field of Classification Search** D7/368, D7/401.2, 642-664, 688-692, 669, 675, 676, D7/683; D8/107, 300-301; 30/123.3, 137, 30/141, 142, 340, 147-150, 322-329, 342-345
See application file for complete search history.

(56) **References Cited**

U.S. PATENT DOCUMENTS

2,741,027	A	*	4/1956	Margolin	30/324
D275,069	S	*	8/1984	Laslo	D7/664
D278,304	S	*	4/1985	Laslo	D7/664
D294,324	S	*	2/1988	Hahn	D7/649
D309,696	S	*	8/1990	Callinan	D7/649

D309,850	S	*	8/1990	Callinan	D7/649
D309,852	S	*	8/1990	Callinan	D7/649
D323,957	S	*	2/1992	Bouilhet	D7/653
D341,061	S	*	11/1993	Thun	D7/645
D421,874	S	*	3/2000	Freeman	D7/401.2
D422,183	S	*	4/2000	Ancona et al.	D7/649
D429,951	S	*	8/2000	Kerman	D7/401.2
D468,974	S	*	1/2003	Freeman et al.	D7/653

* cited by examiner

Primary Examiner—Cathron C. Brooks

Assistant Examiner—Ricky Pham

(74) *Attorney, Agent, or Firm*—King & Schickli, PLLC

(57) **CLAIM**

The ornamental design for the spoon, as shown.

DESCRIPTION

FIG. 1 is a top view of a spoon showing our new design;

FIG. 2 is a bottom view thereof;

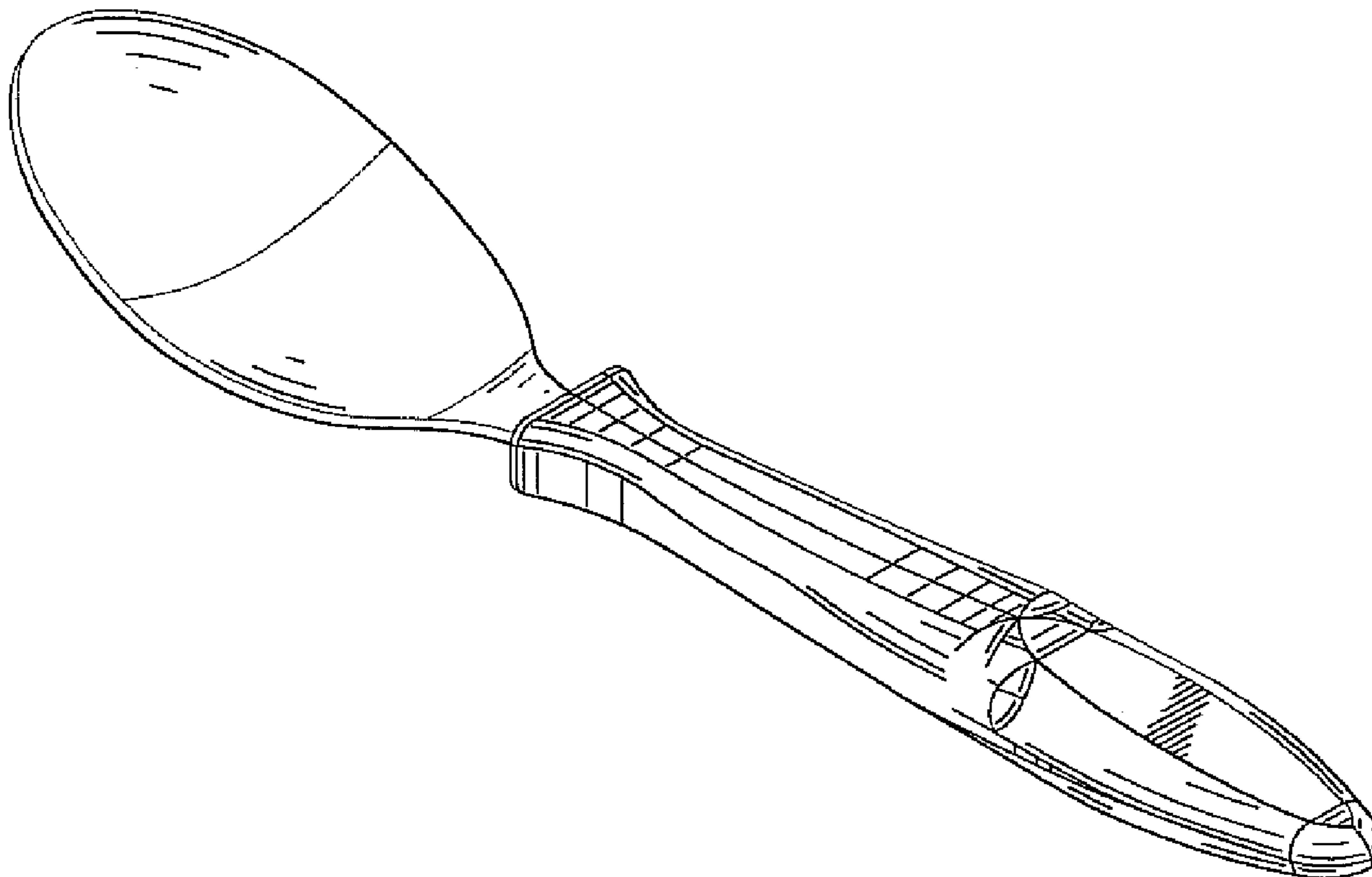
FIG. 3 is a side view thereof;

FIG. 4 is a front end view thereof;

FIG. 5 is a rear end view thereof; and,

FIG. 6 is a general perspective view thereof.

1 Claim, 2 Drawing Sheets



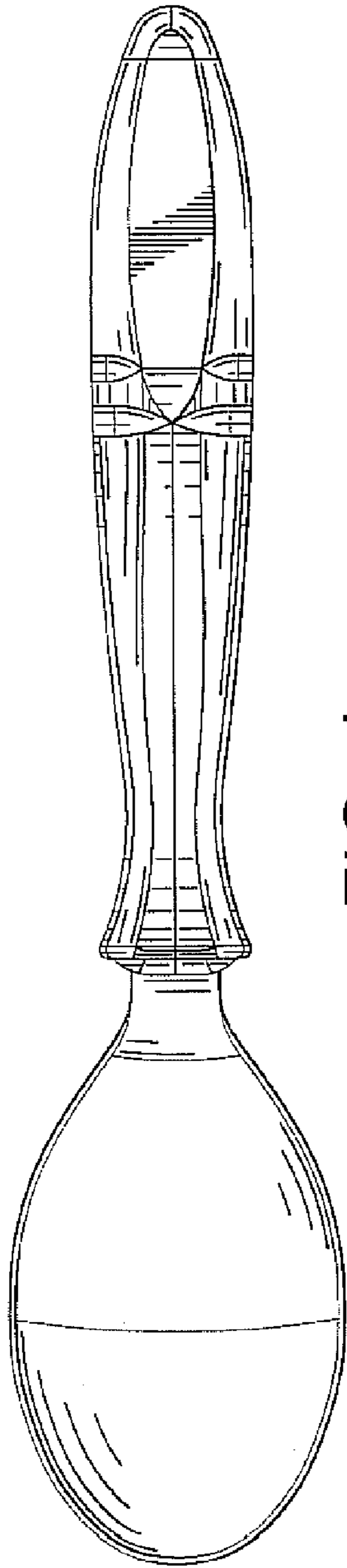


FIG. 1

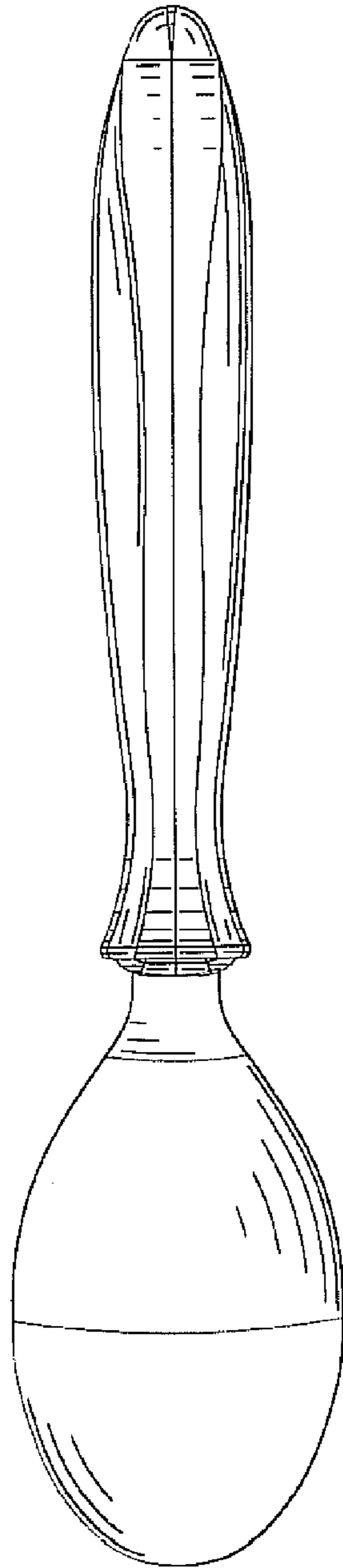


FIG. 2

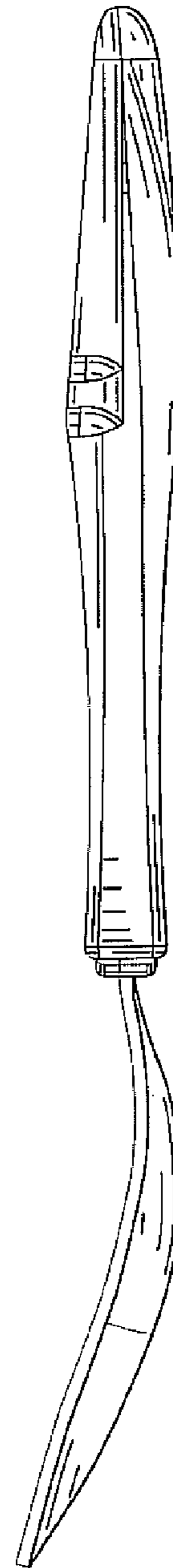


FIG. 3

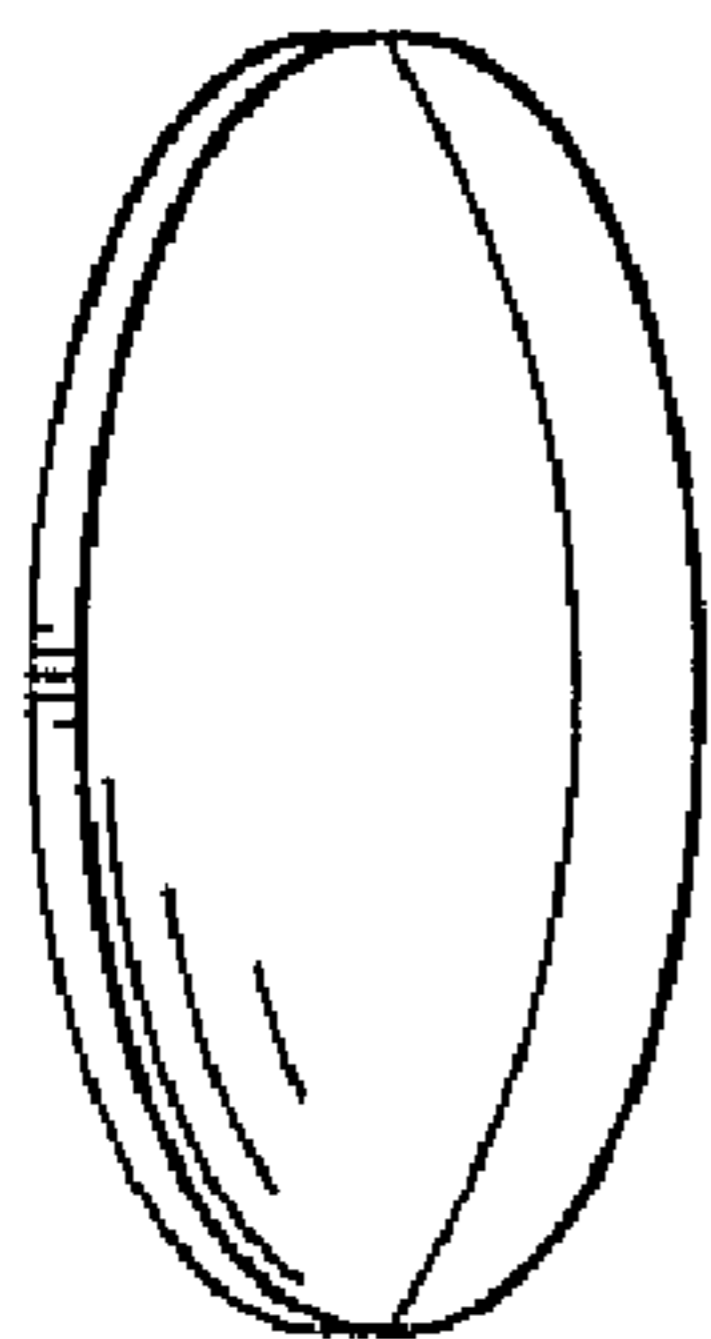


FIG. 4

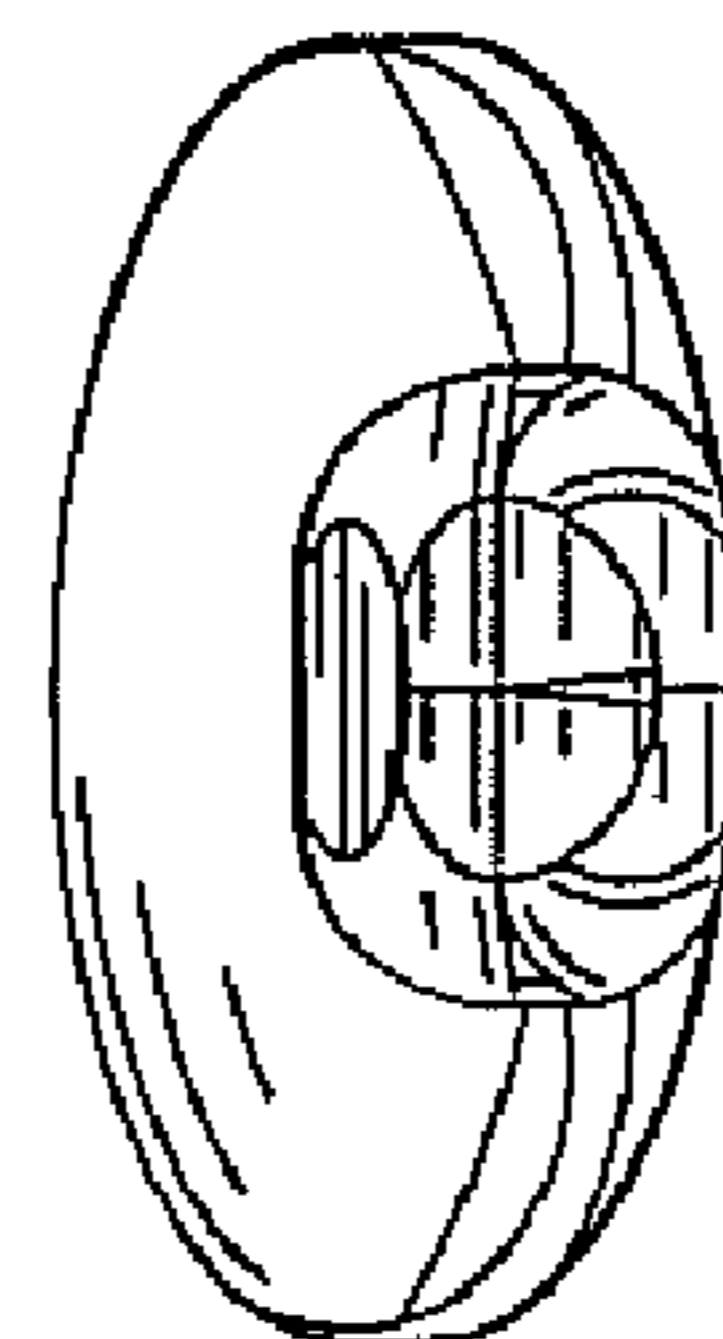


FIG. 5

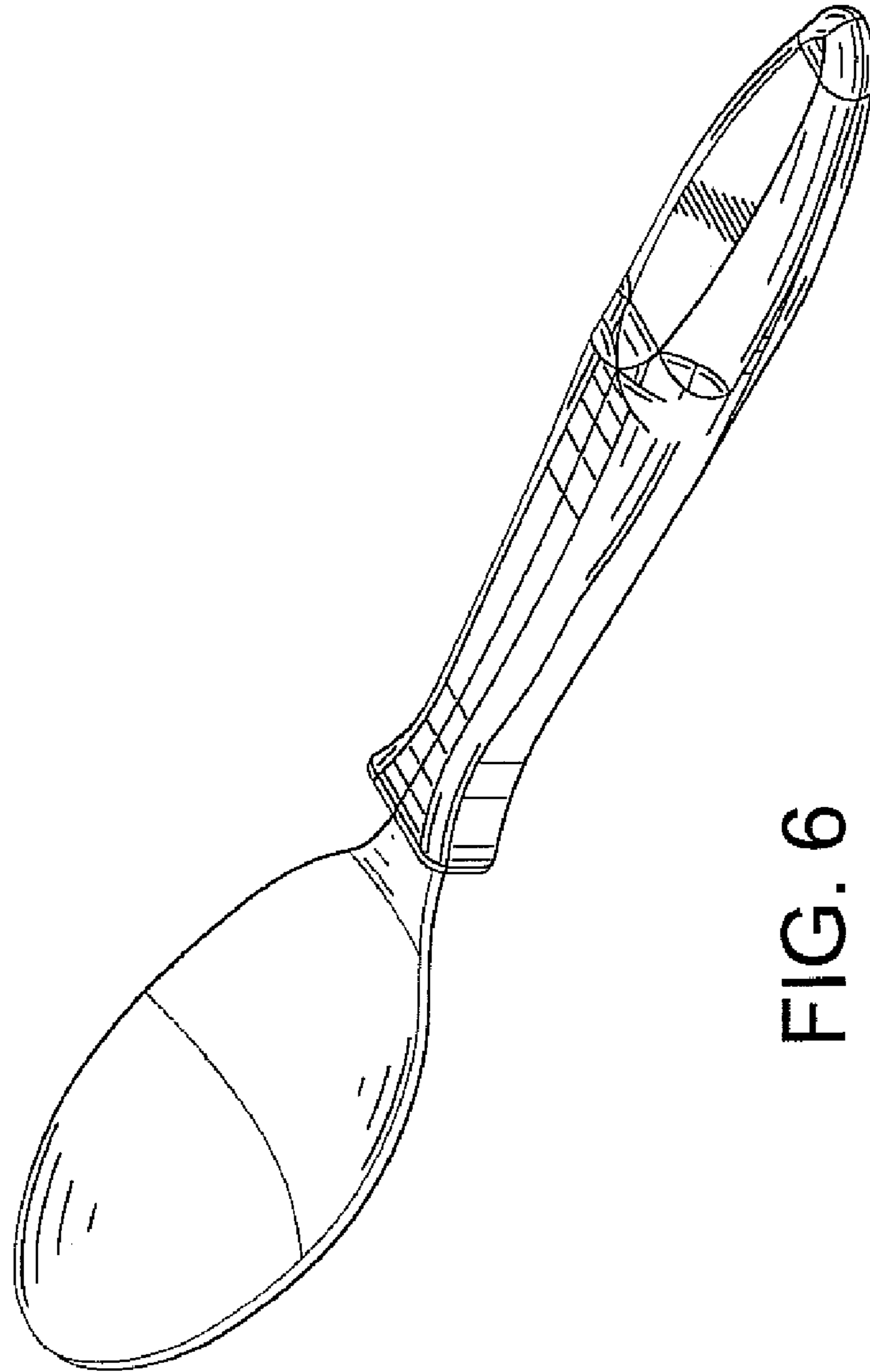


FIG. 6