



US00D547133S

(12) **United States Design Patent**
Wu

(10) **Patent No.:** **US D547,133 S**

(45) **Date of Patent:** **** Jul. 24, 2007**

(54) **CAKE KNIFE**

(75) Inventor: **Tung Chih Wu, Yonghe (TW)**

(73) Assignee: **Mod Design Development Ltd., Taipei County (TW)**

(**) Term: **14 Years**

(21) Appl. No.: **29/257,857**

(22) Filed: **Apr. 12, 2006**

Related U.S. Application Data

(63) Continuation of application No. 11/192,263, filed on Jul. 29, 2005, now abandoned.

(51) **LOC (8) Cl.** **07-03**

(52) **U.S. Cl.** **D7/649**

(58) **Field of Classification Search** D7/393,
D7/395, 401.2, 642-646, 649-651, 652-653,
D7/662-664, 673, 695-696; D8/75, 80,
D8/83, 87, 98, 99, 102, 107, 300, 303; 30/123.5-123.7,
30/114, 128, 272.1, 142-143, 147-149, 304,
30/316, 329, 340, 342-346, 353, 355, 394;
99/542

See application file for complete search history.

(56) **References Cited**

U.S. PATENT DOCUMENTS

2,264,486 A * 12/1941 Smith et al. 30/114
2,797,478 A * 7/1957 Gebhart et al. 30/272.1

2,841,868 A * 7/1958 O'Brien 30/114
3,877,143 A * 4/1975 Montesi 30/114
4,637,138 A * 1/1987 Piche 30/114
D295,485 S * 5/1988 Ferrin et al. D7/673
4,847,998 A * 7/1989 Colozzi et al. 30/114
D363,860 S * 11/1995 Gallo D7/673
D412,427 S * 8/1999 Prissberg D7/651
D420,259 S * 2/2000 Laib D7/673
D427,024 S * 6/2000 Meyer D7/673
D446,427 S * 8/2001 Meyer D7/673
D446,690 S * 8/2001 Meyer D7/673

* cited by examiner

Primary Examiner—Cathron C. Brooks

Assistant Examiner—Ricky Pham

(74) *Attorney, Agent, or Firm*—Troxell Law Office, PLLC

(57) **CLAIM**

The ornamental design for a cake knife, as shown.

DESCRIPTION

FIG. 1 is a perspective view of a cake knife showing my new design;

FIG. 2 is a front view thereof;

FIG. 3 is a rear view thereof;

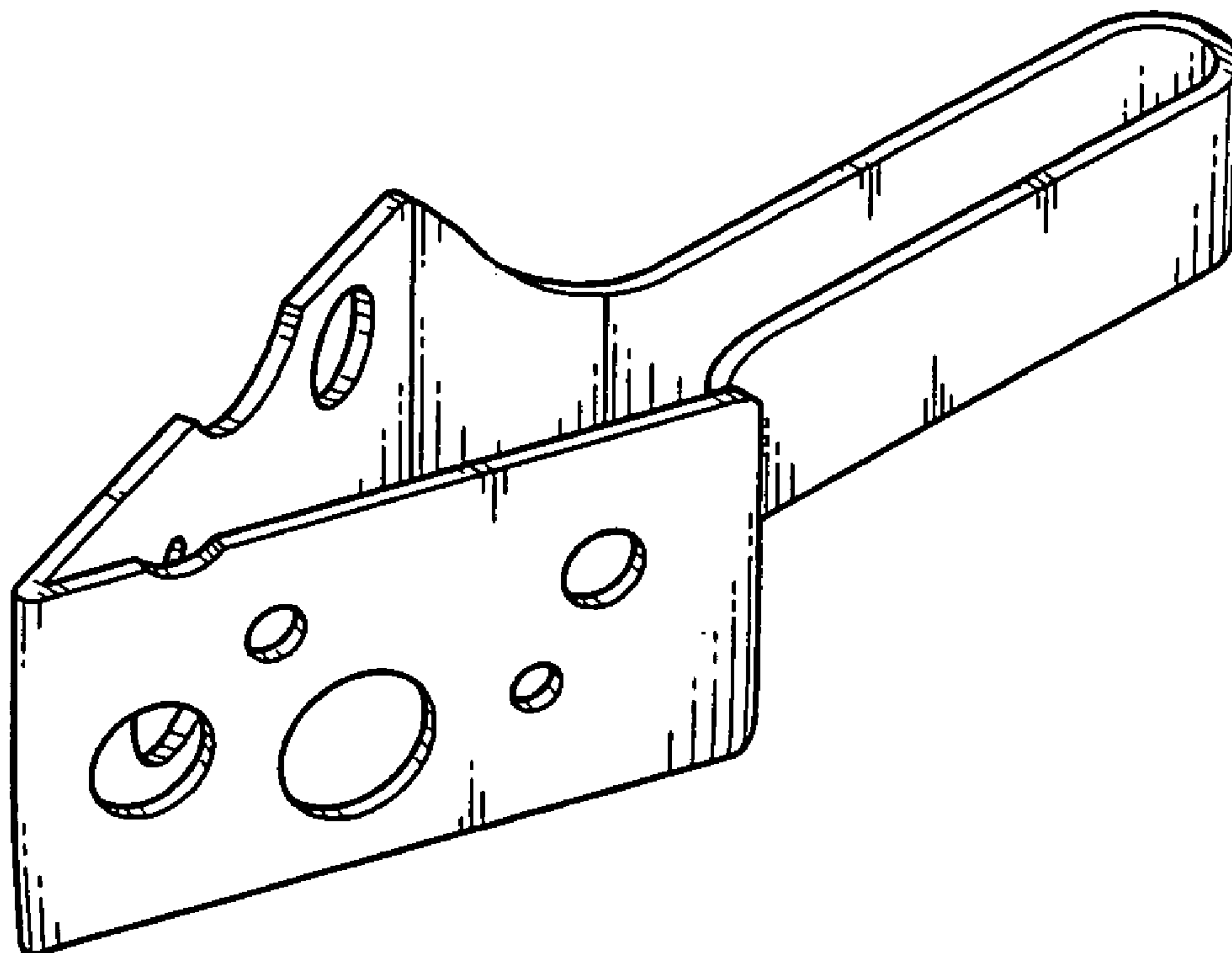
FIG. 4 is a left side view thereof;

FIG. 5 is a right side view thereof;

FIG. 6 is a top view thereof; and,

FIG. 7 is a bottom view thereof.

1 Claim, 4 Drawing Sheets



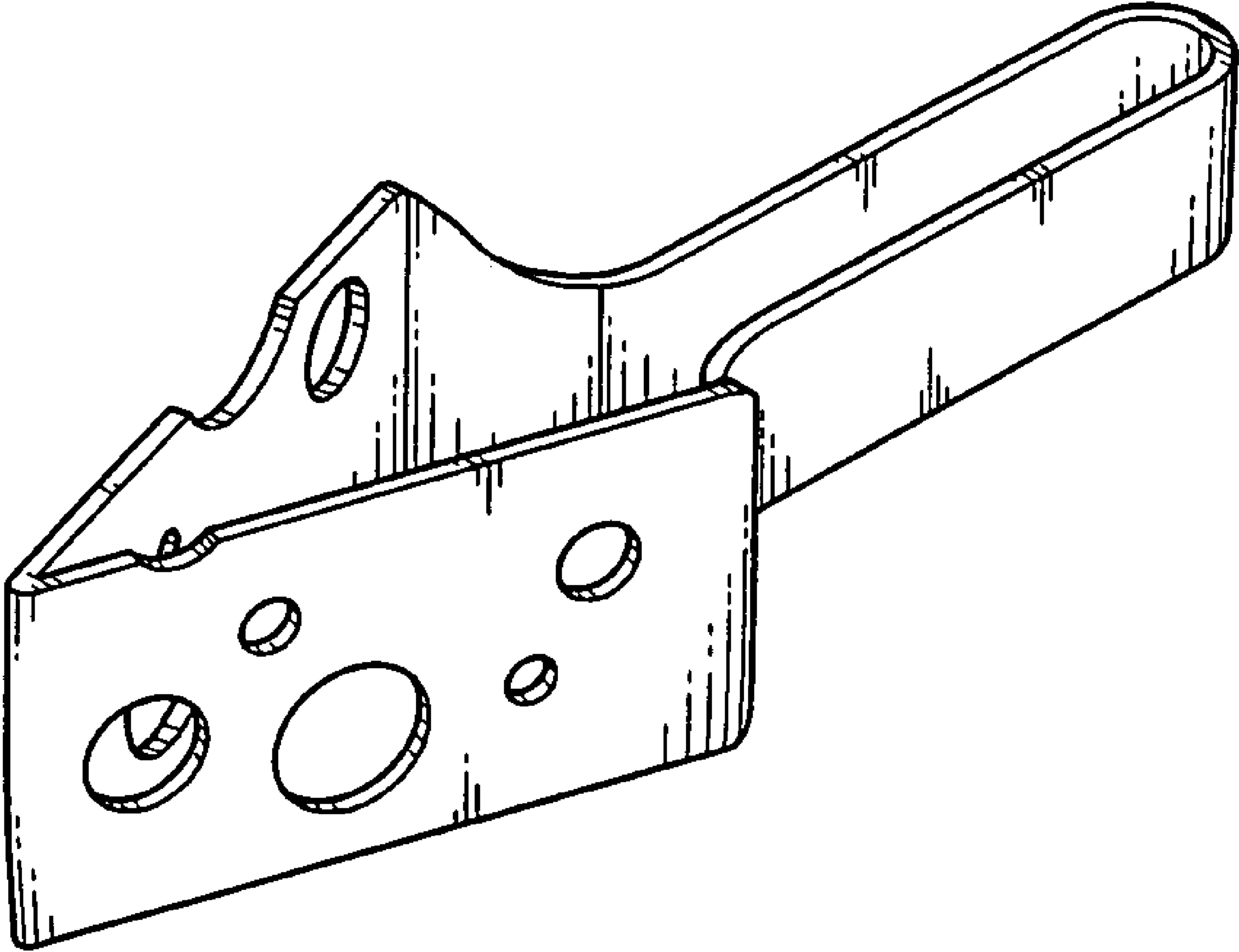


FIG. 1

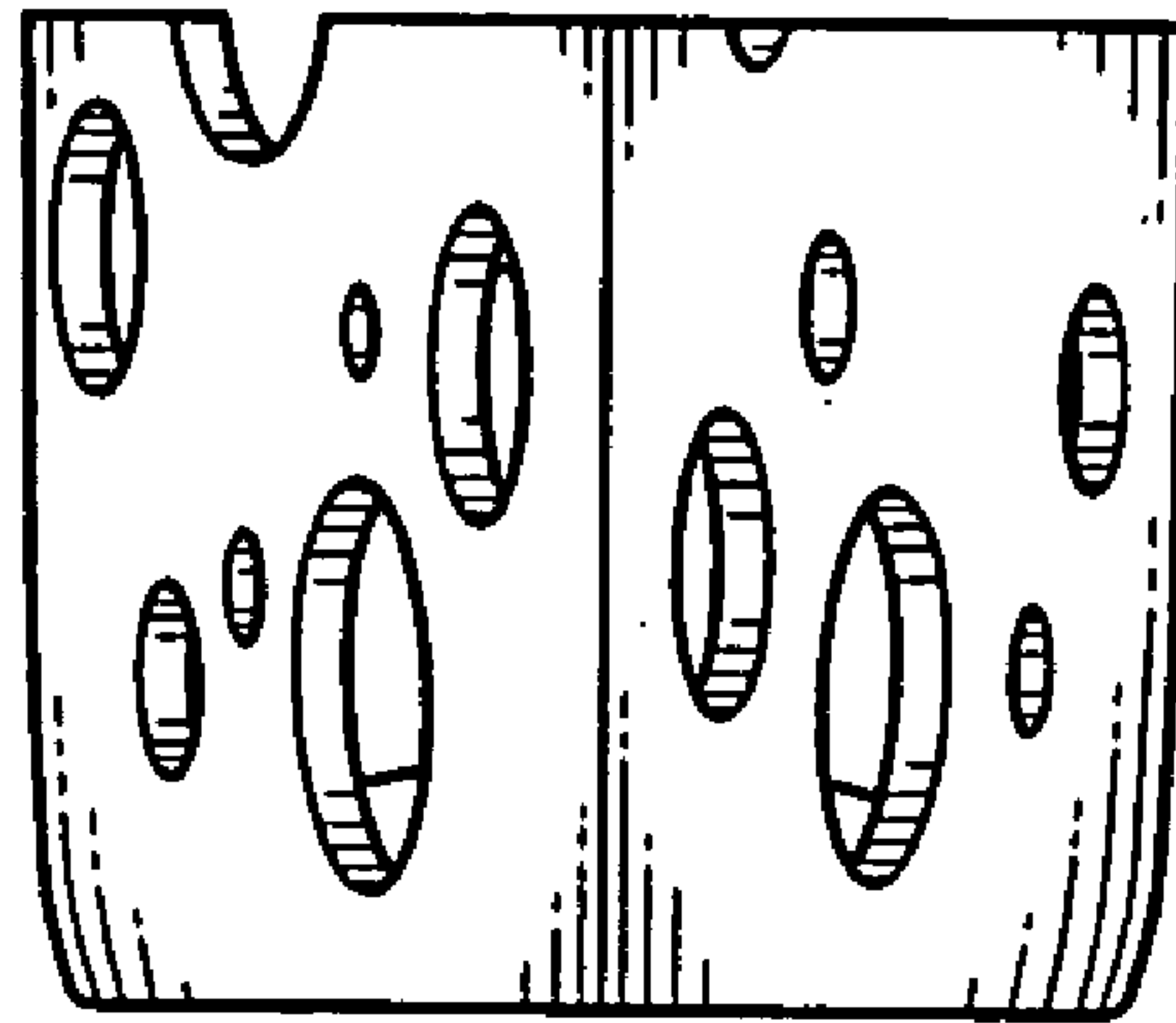


FIG. 2

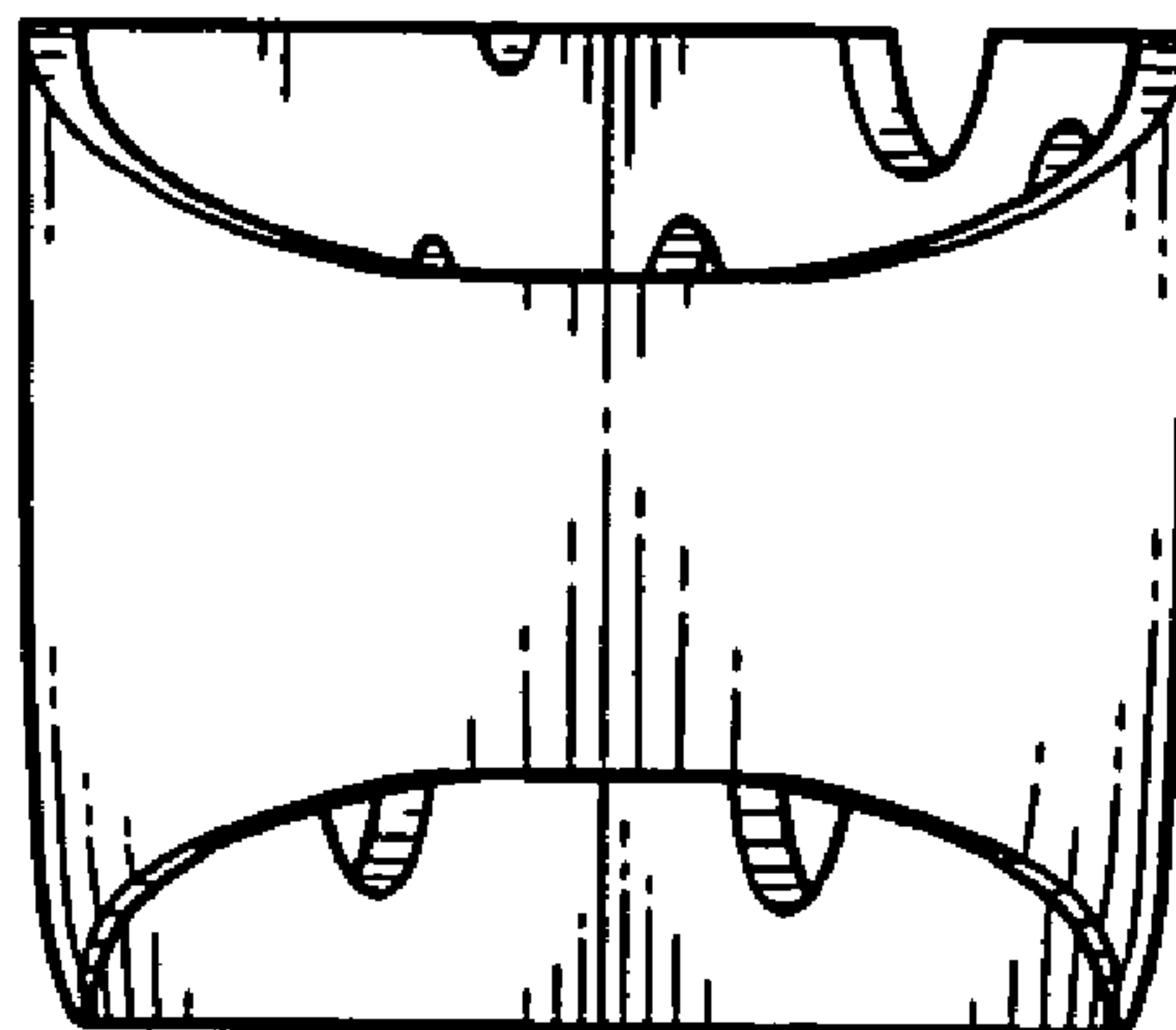


FIG. 3

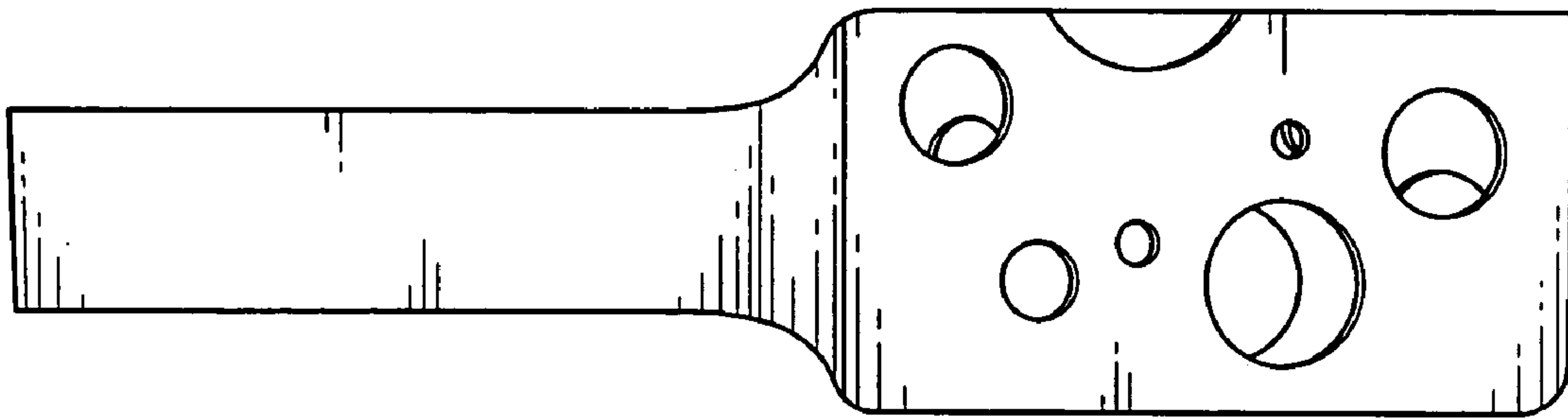


FIG. 4

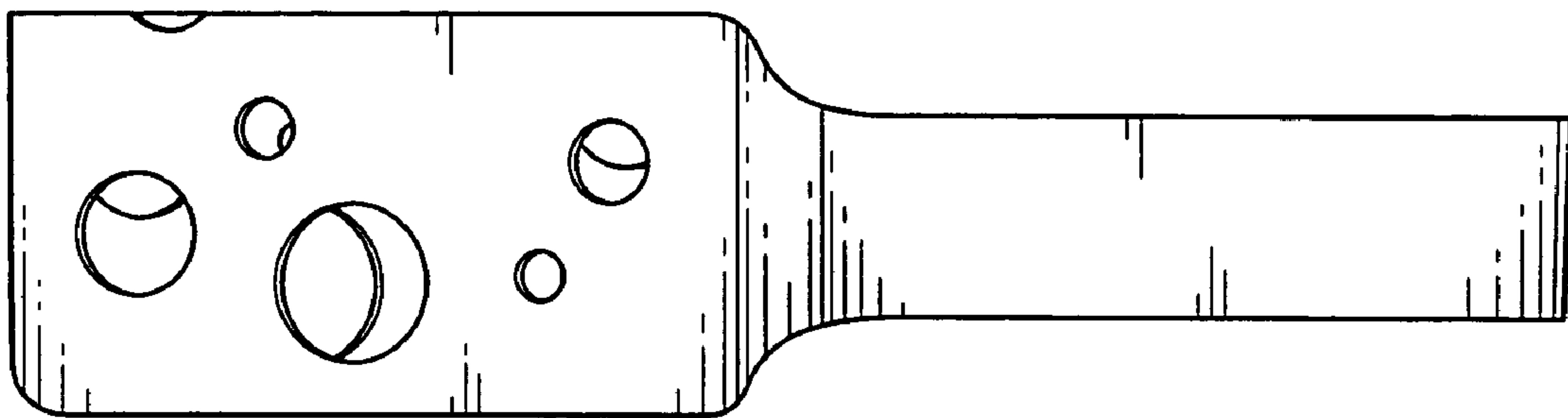


FIG. 5

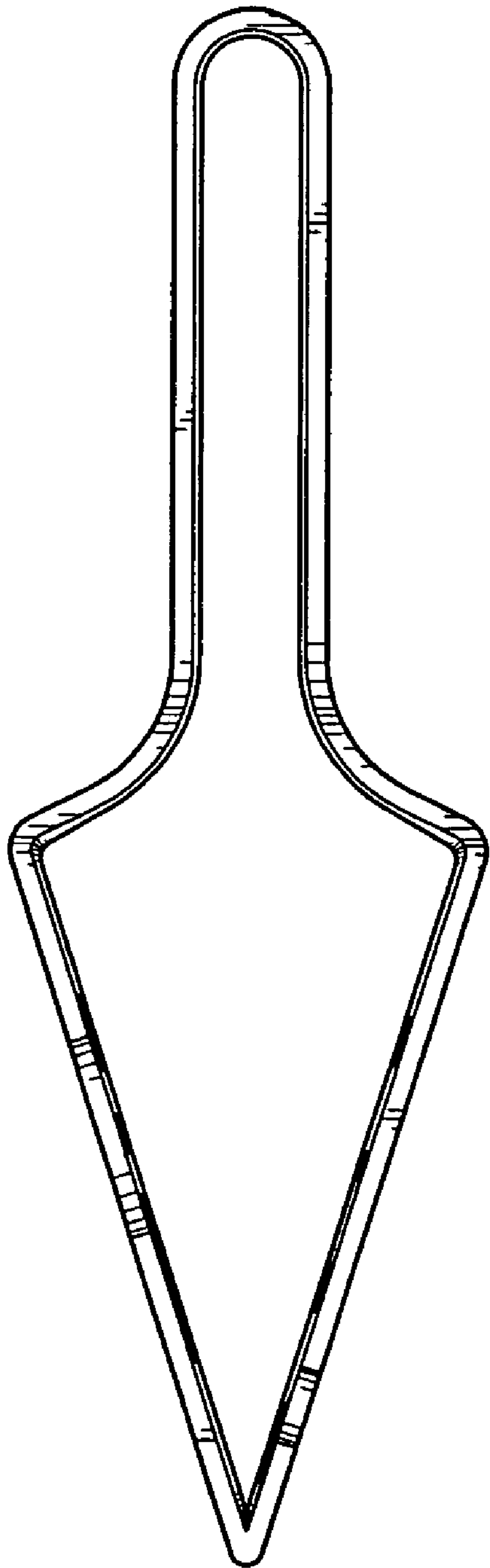


FIG. 6

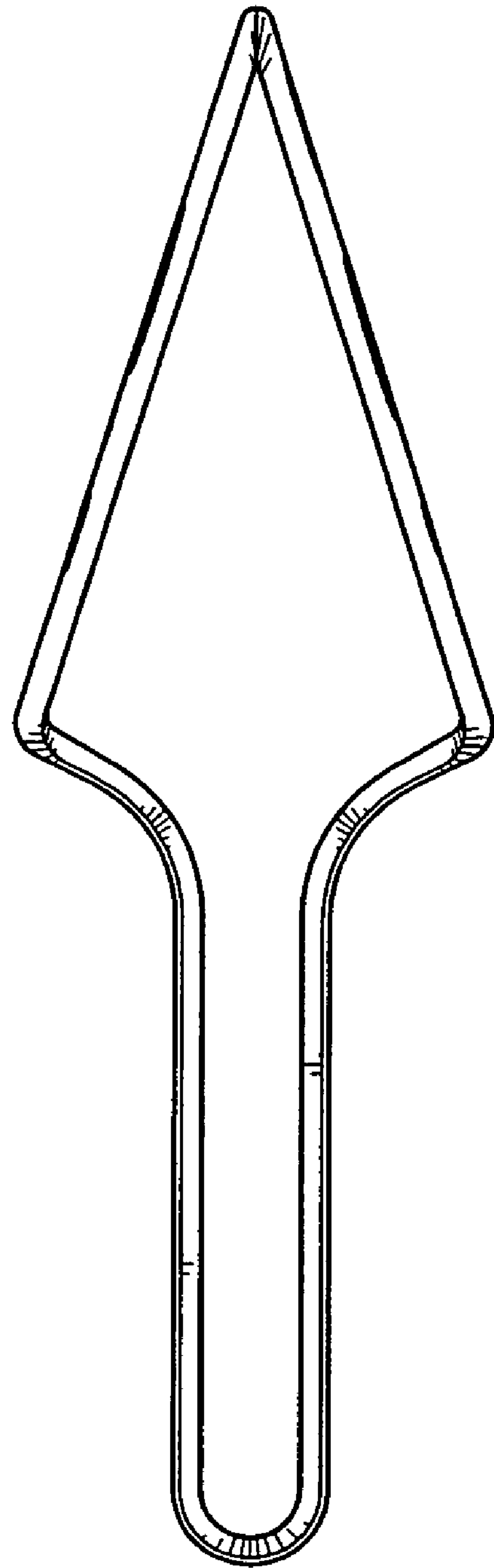


FIG. 7