

US00D547126S

(12) **United States Design Patent**
Levine et al.

(10) **Patent No.:** **US D547,126 S**
(45) **Date of Patent:** **** Jul. 24, 2007**

(54) **COCKTAIL TRAY WITH STEMMED GLASS HOLDER**

(76) Inventors: **Lenita J. Levine**, 550 St. James Road West, North Vancouver, British Columbia (CA) V7N 2P7; **Penelope Reiner**, 3951 Woodbury Street, North Vancouver (CA) V7N 2P7

(**) Term: **14 Years**

(21) Appl. No.: **29/236,084**

(22) Filed: **Aug. 10, 2005**

(51) **LOC (8) Cl.** **07-01**

(52) **U.S. Cl.** **D7/553.5; 7/554.3; 7/553.4; 7/549; 7/587**

(58) **Field of Classification Search** D7/500, D7/505, 541-543, 546, 549, 550.1, 552, 552.2, D7/553.1-553.5, 553.7, 553.8, 554.4, 555, D7/557, 586, 587, 620, 701, 705, 707, 708.1; D6/406.3, 601, 406.1-406.6; D9/737, 741; 206/486, 557, 558, 561, 562, 564; 211/74; 108/25; 99/357; 220/23.83, 23.86, 500, 220/506, 574, 575

See application file for complete search history.

(56) **References Cited**

U.S. PATENT DOCUMENTS

- D97,108 S * 10/1935 Worthington et al. D7/587
- D301,820 S * 6/1989 Wasserman D7/553.5
- D308,461 S 6/1990 Hosea
- 4,966,297 A * 10/1990 Doty 220/23.83
- D322,197 S * 12/1991 Sherlin D7/549
- 5,114,038 A 5/1992 Laumann geb. Quensen
- D326,588 S 6/1992 Meisel
- D342,421 S 12/1993 DuBow
- 5,390,798 A 2/1995 Yanuzzi
- D359,885 S 7/1995 Yanuzzi
- D364,072 S 11/1995 Keable

- D373,052 S 8/1996 Di Biase
- D376,297 S 12/1996 Jacobson
- D392,156 S 3/1998 Michael
- D393,981 S 5/1998 Lipkowitz
- 5,769,264 A 6/1998 Lipkowitz
- D395,791 S 7/1998 McArdle
- D398,481 S 9/1998 Brown
- 5,971,139 A 10/1999 Bradley
- D415,930 S 11/1999 Schmidt
- D429,604 S * 8/2000 Maniaci D7/549
- D442,830 S * 5/2001 Raucci D7/553.5
- 6,264,026 B1 7/2001 Bradley
- D455,316 S 4/2002 Carpenter
- D473,757 S 4/2003 Schwartz
- D501,761 S * 2/2005 Glander et al. D7/553.5
- D509,104 S * 9/2005 Price D7/553.4

* cited by examiner

Primary Examiner—Philip S. Hyder
Assistant Examiner—Cynthia Underwood
(74) *Attorney, Agent, or Firm*—Robert B. Hughes; Hughes Law Firm, PLLC

(57) **CLAIM**

We claim the ornamental design for a cocktail tray with stemmed glass holder, as shown and described.

DESCRIPTION

FIG. 1 is a perspective view showing the top and left side of the cocktail tray with stemmed glass holder.
FIG. 2 is a top plan view of FIG. 1;
FIG. 3 is a front elevational view of FIG. 1
FIG. 4 is a rear elevational view of FIG. 1
FIG. 5 is a right side elevational view of FIG. 1.
FIG. 6 is a left side elevational view of FIG. 1; and,
FIG. 7 is a bottom plan view of FIG. 1.

1 Claim, 3 Drawing Sheets

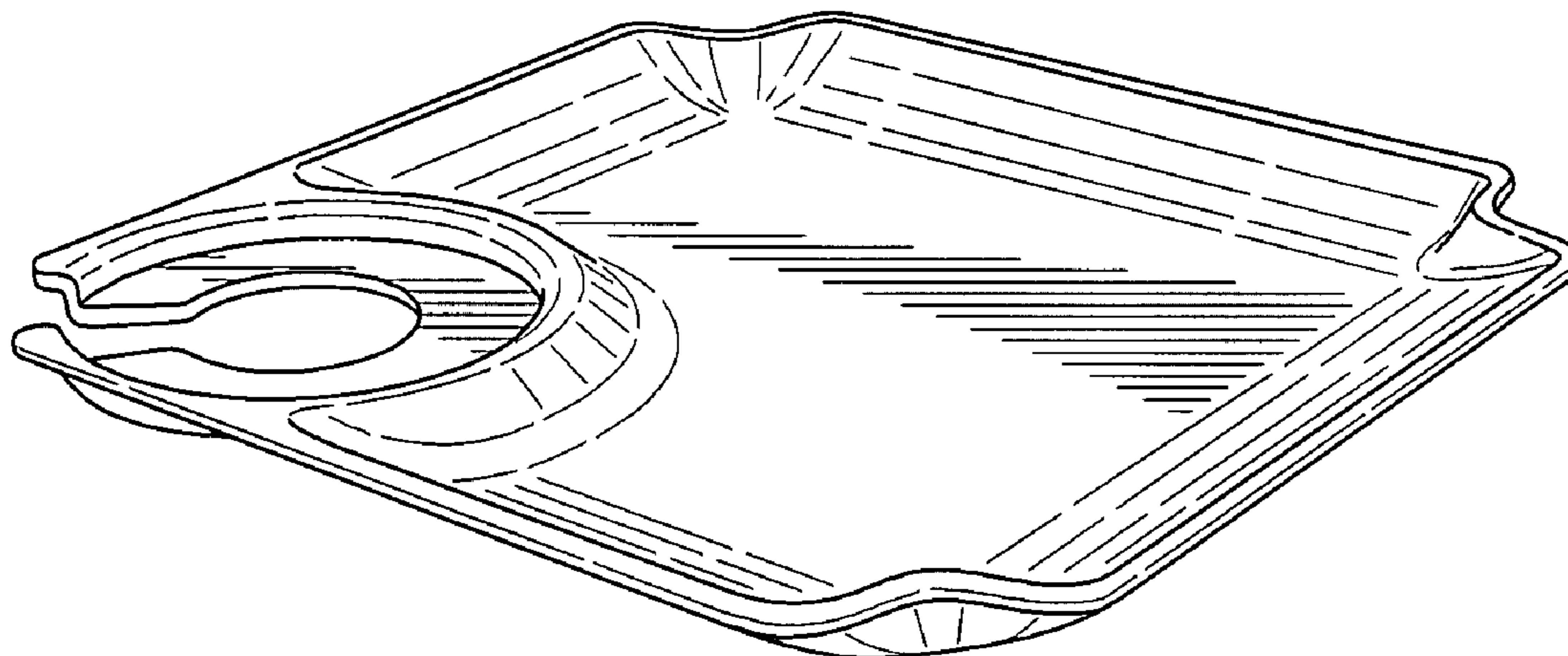


FIG. 1

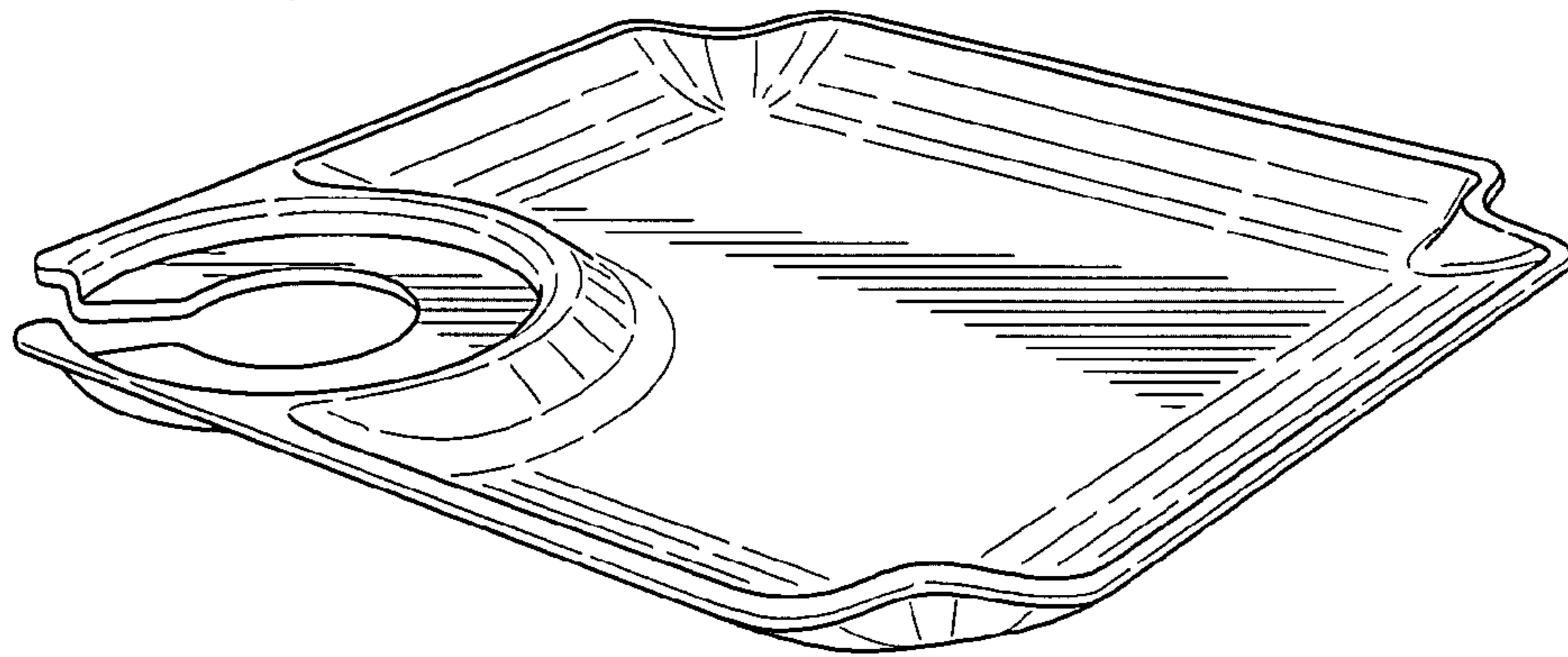


FIG. 2

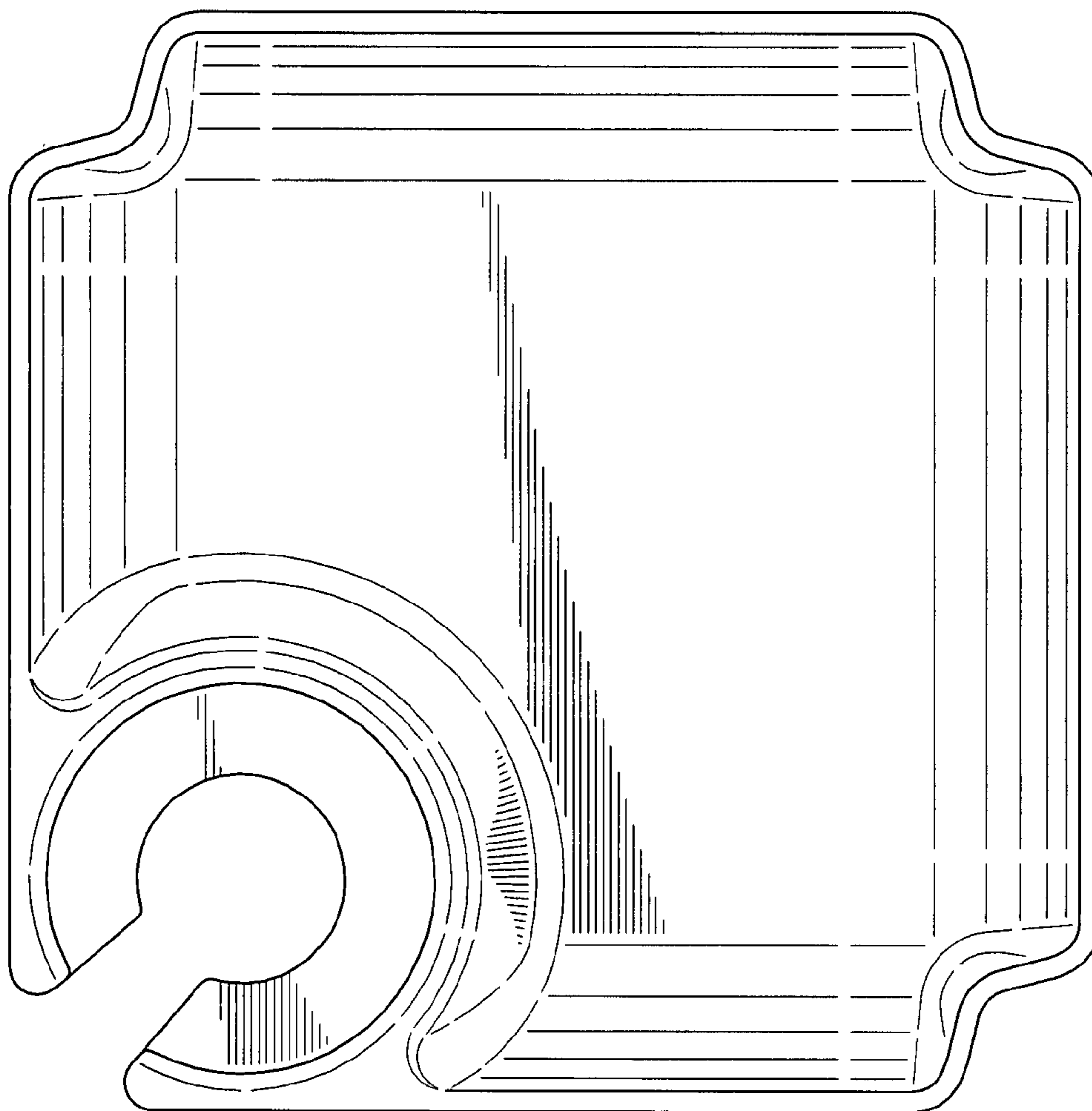


FIG. 3

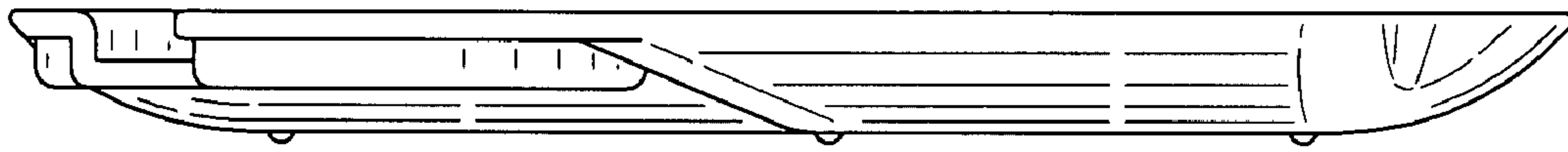


FIG. 4

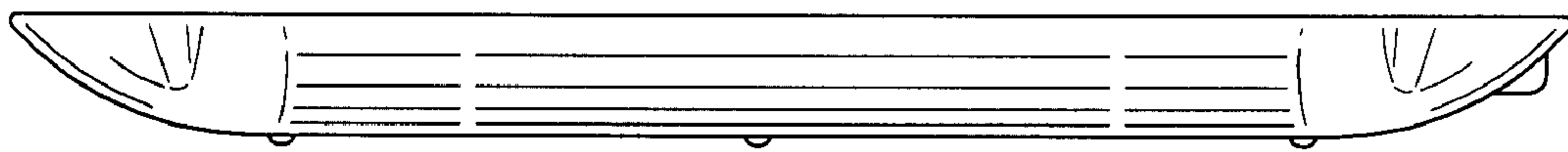


FIG. 5

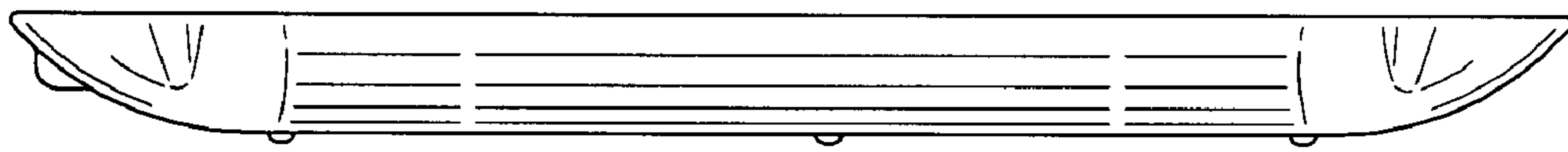


FIG. 6

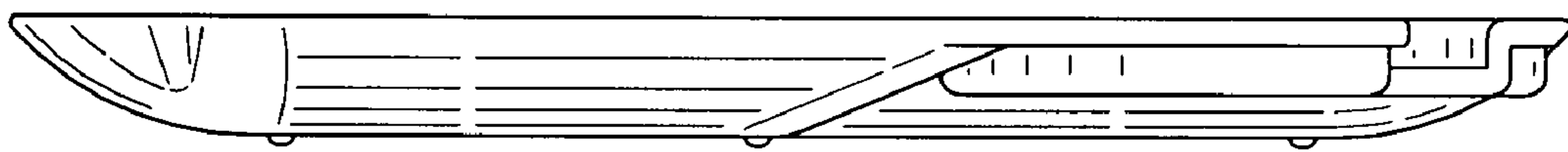


FIG. 7

