



US00D547125S

(12) **United States Design Patent**  
**Wasserman et al.**

(10) **Patent No.:** **US D547,125 S**

(45) **Date of Patent:** **\*\* Jul. 24, 2007**

(54) **DOUBLE WALLED METALLIC BOWL**

(75) Inventors: **David M. Wasserman**, Whitefish Bay, WI (US); **Rebecca J. Schreiber-Pethan**, Sheboygan, WI (US)

(73) Assignee: **The Vollrath Company, L.L.C.**, Sheboygan, WI (US)

(\*\*) Term: **14 Years**

(21) Appl. No.: **29/240,272**

(22) Filed: **Oct. 11, 2005**

(51) **LOC (8) Cl.** ..... **07-01**

(52) **U.S. Cl.** ..... **D7/545**

(58) **Field of Classification Search** ..... D7/586,  
D7/584, 503, 509, 523, 566, 312, 316, 376,  
D7/397, 558, 565, 300.1, 585, 630, 396.2,  
D7/545, 611, 543, 505, 542, 602, 701, 356;  
D9/772, 432; D11/152, 154; 220/574, 212,  
220/23.83, 657, 659, 755, 771, 904; 222/143,  
222/465.1; 206/821, 822

See application file for complete search history.

(56) **References Cited**

U.S. PATENT DOCUMENTS

184,814 A	11/1876	Adam	
1,093,648 A	4/1914	Potter	
D50,194 S	1/1917	Haley	
D50,398 S	2/1917	Miller	
D50,401 S	2/1917	Miller	
1,607,864 A	11/1926	Butler	
D75,939 S	7/1928	Tennhardt	
D94,207 S *	1/1935	Guild	D7/558
D94,245 S	1/1935	Sebring, Jr. et al.	
D95,504 S *	5/1935	Guild	D11/152
2,050,206 A	8/1936	Chaplin	
2,051,940 A *	8/1936	Chichester-Miles	220/754
D103,390 S *	3/1937	Connor	D7/667

D201,376 S *	6/1965	Schroeder	D7/505
D204,781 S *	5/1966	Wanderer	D7/523
D209,307 S	11/1967	Schilling	
D209,311 S *	11/1967	Schilling	D7/523
D214,678 S	7/1969	Weeber	
3,792,809 A	2/1974	Schneider et al.	
D262,681 S *	1/1982	Dawson	D7/667
D264,791 S	6/1982	Conti	
D264,792 S	6/1982	Conti	
4,435,628 A *	3/1984	Bowen et al.	219/734
D288,515 S	3/1987	Rimmeir	
D289,245 S	4/1987	Ritman	

(Continued)

*Primary Examiner*—Ian Simmons

*Assistant Examiner*—Charles Hsnson

(74) *Attorney, Agent, or Firm*—Foley & Lardner LLP

(57) **CLAIM**

We claim the ornamental design for a double walled metallic bowl, as shown and described.

**DESCRIPTION**

FIG. 1 is a top perspective view of a double walled metallic bowl showing my new design;

FIG. 2 is a front elevational view thereof, the rear elevational view, left end elevational view and right end elevational view being the same as the front elevational view shown;

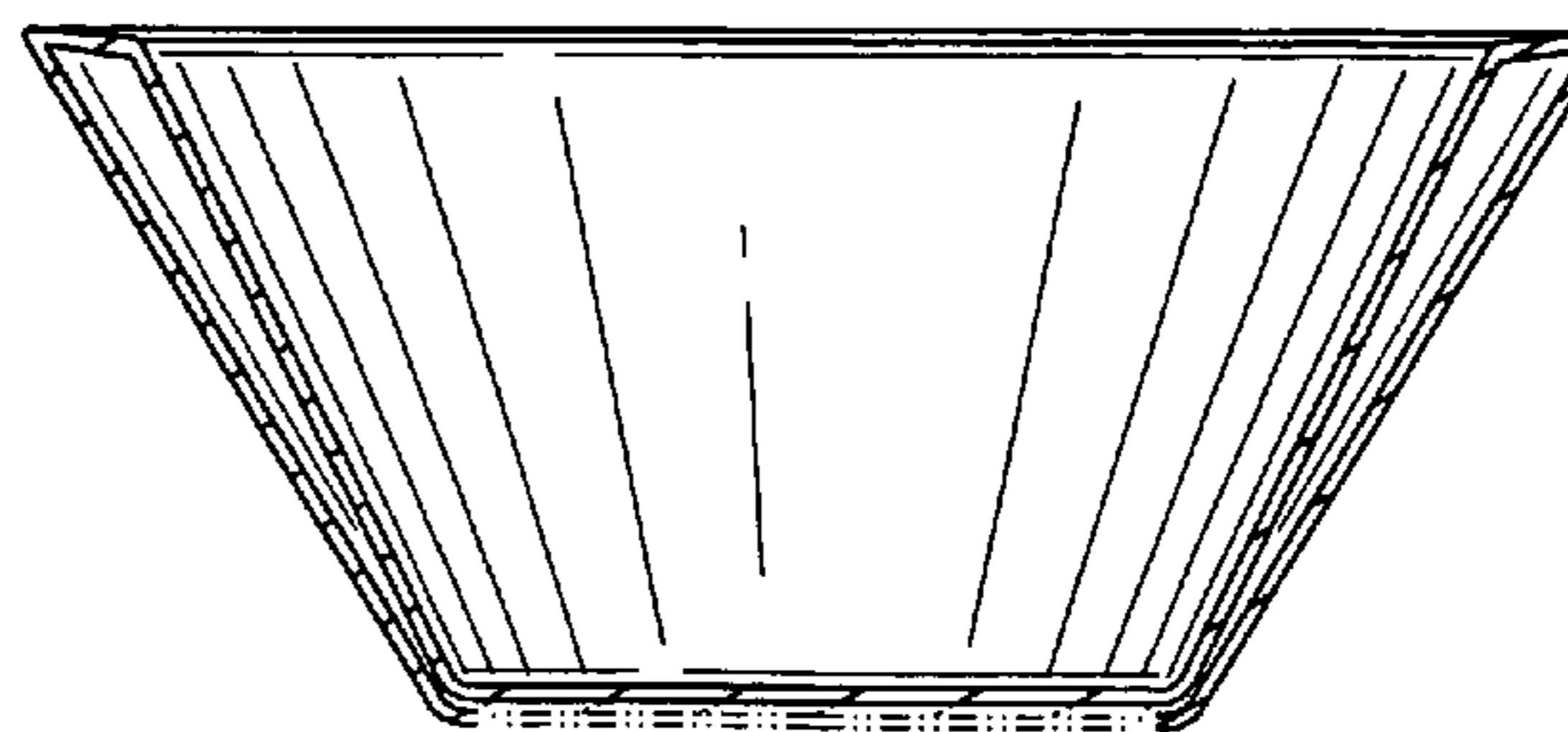
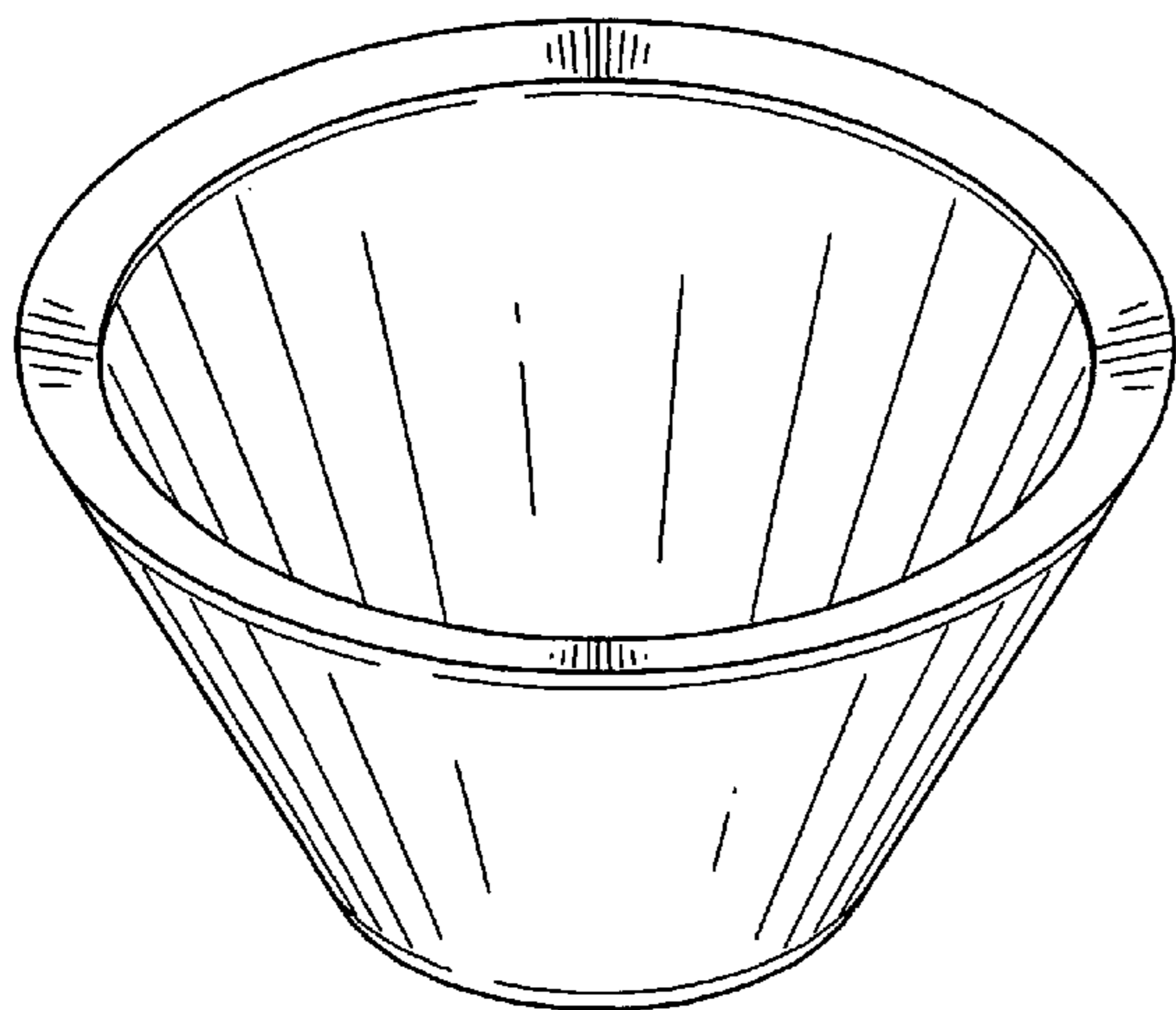
FIG. 3 is a top plan view thereof;

FIG. 4 is bottom plan view thereof; and,

FIG. 5 is a sectional view thereof taken along line 5-5 of FIG. 3.

The ornamental design which is claimed is shown in solid lines in the drawings. The broken lines shown in FIGS. 4 and 5 define the bounds of the claimed design and form no part thereof.

**1 Claim, 3 Drawing Sheets**



# US D547,125 S

Page 2

## U.S. PATENT DOCUMENTS

D289,246 S	4/1987	Ritman	D428,770 S	8/2000	Wellner
D289,717 S	5/1987	Ritman	D428,771 S	8/2000	Novi
D291,757 S	9/1987	Ritman	D432,362 S	10/2000	Fait
D315,658 S	3/1991	Scherer	D432,868 S	* 10/2000	Tan ..... D7/584
D316,686 S	* 5/1991	Tardif ..... D11/148	D442,019 S	5/2001	Wyche
D318,596 S	* 7/1991	Watts ..... D7/505	D442,425 S	5/2001	Wyche
D321,815 S	11/1991	Bowdler	D443,476 S	6/2001	Miura
D325,112 S	4/1992	Thompson	D456,211 S	4/2002	Price
D327,236 S	* 6/1992	Weder ..... D11/152	D457,389 S	5/2002	Snell
5,172,826 A	12/1992	Celaya	D458,807 S	6/2002	Trazzi
D340,617 S	10/1993	Douglas	D459,946 S	7/2002	Willat
D345,716 S	4/1994	Kwiatkowski	D471,404 S	3/2003	Gady
D360,558 S	7/1995	Appleman	D471,406 S	3/2003	Wellner
D362,155 S	9/1995	Yee	D478,476 S	8/2003	Wellner
D362,594 S	9/1995	McEntee	D478,477 S	8/2003	Tisdale et al.
D367,413 S	2/1996	Ballin	D480,269 S	10/2003	Currier
D371,939 S	7/1996	Rigney	D481,262 S	10/2003	Tisdale et al.
D381,934 S	* 8/1997	Weder et al. .... D11/164	D485,127 S	1/2004	Maier-Aichen
5,706,980 A	1/1998	Dickerson	D488,352 S	4/2004	Tisdale et al.
D406,986 S	* 3/1999	Lewis ..... D7/558	D491,019 S	6/2004	Marsden et al.
D411,288 S	6/1999	Cuttriss	D494,062 S	8/2004	Willis
5,934,472 A	8/1999	Ramirez et al.	D494,419 S	8/2004	Armer
D424,879 S	5/2000	Biber	D495,211 S	8/2004	Brown et al.

\* cited by examiner

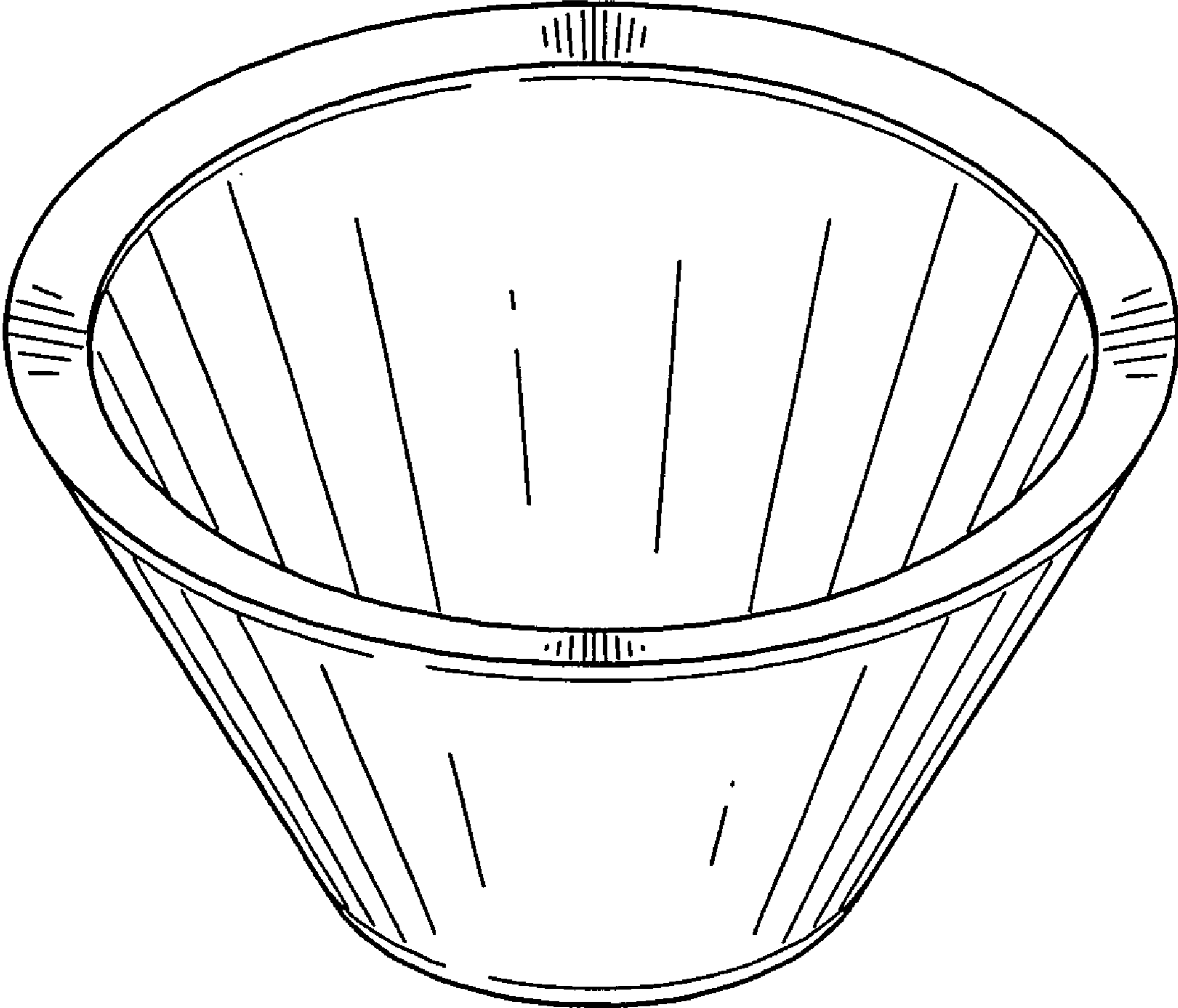


FIG. 1

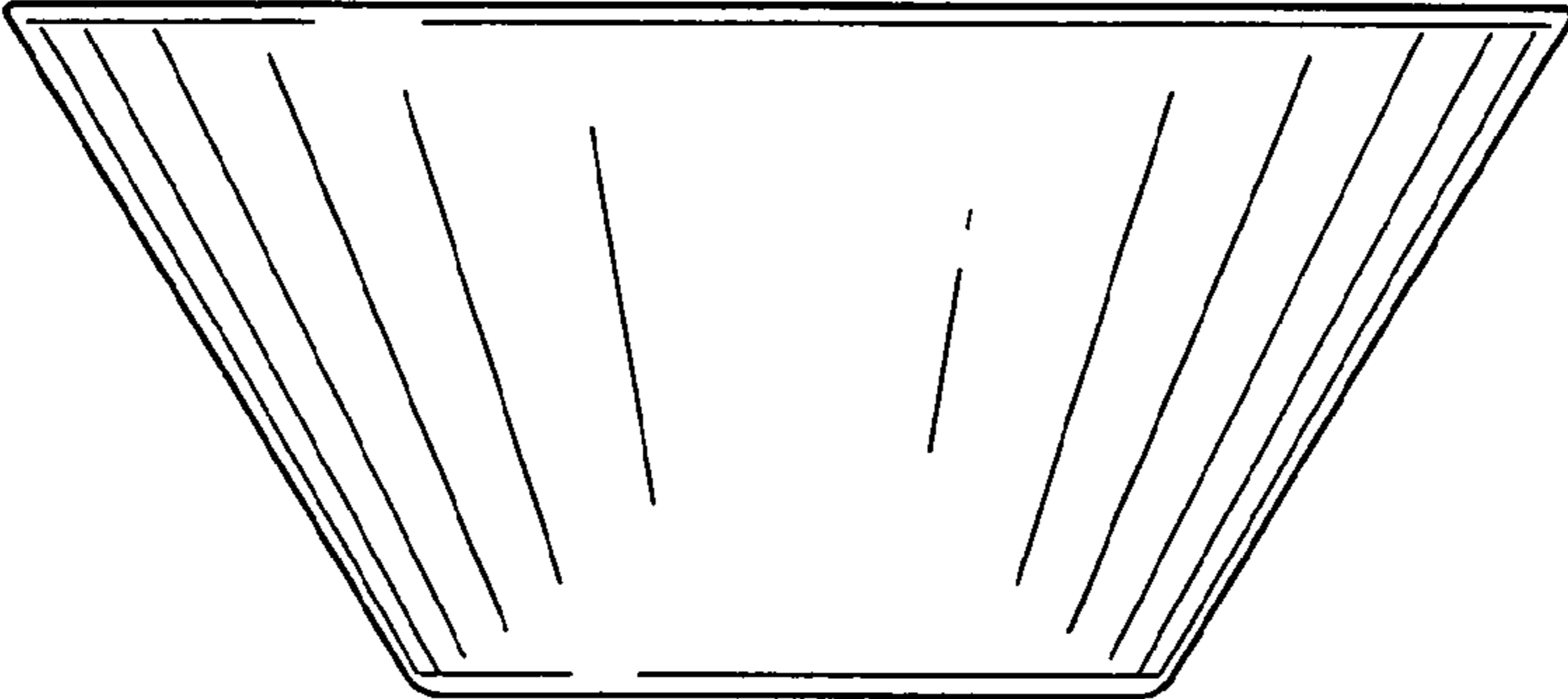


FIG. 2

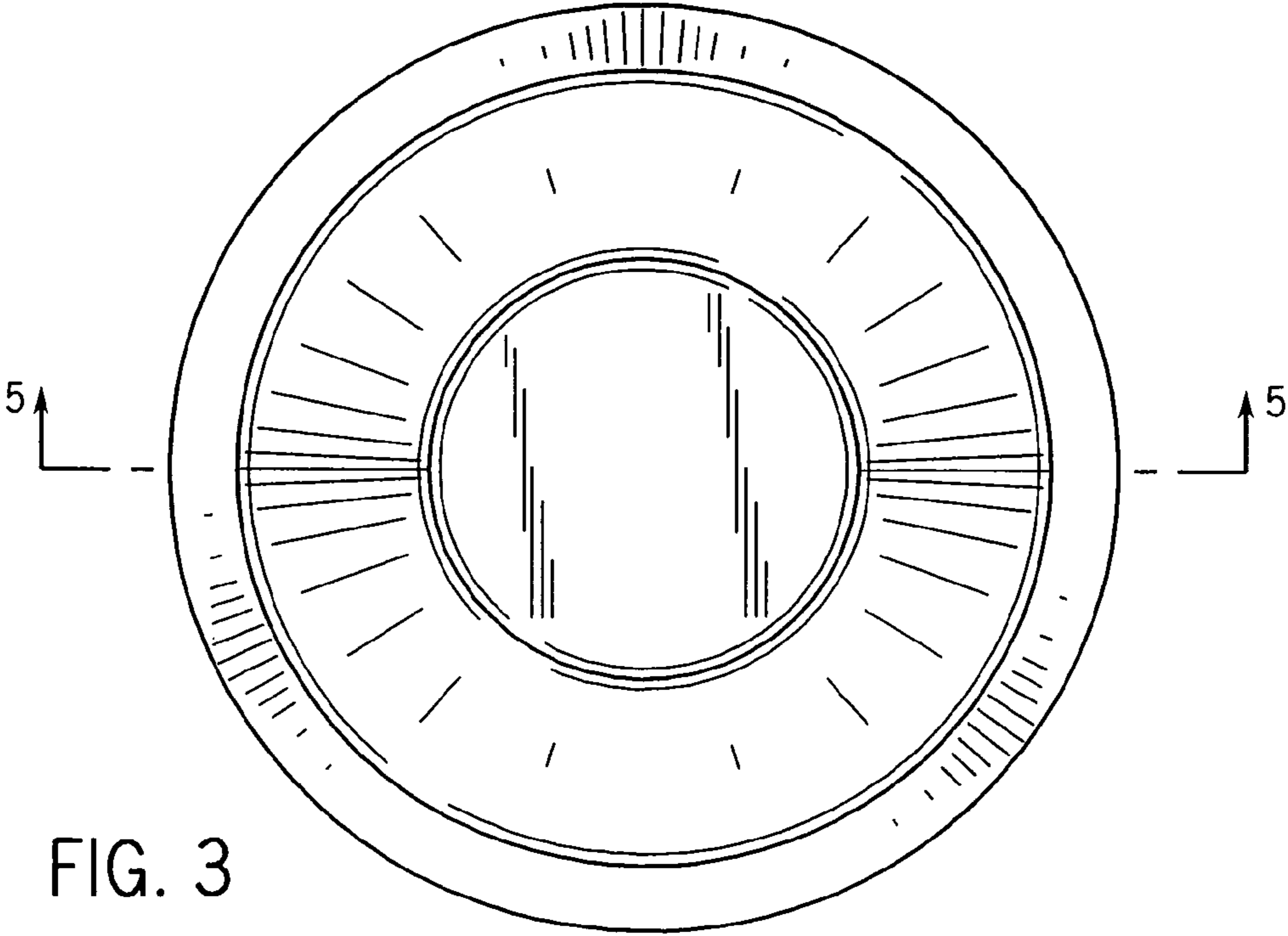


FIG. 3

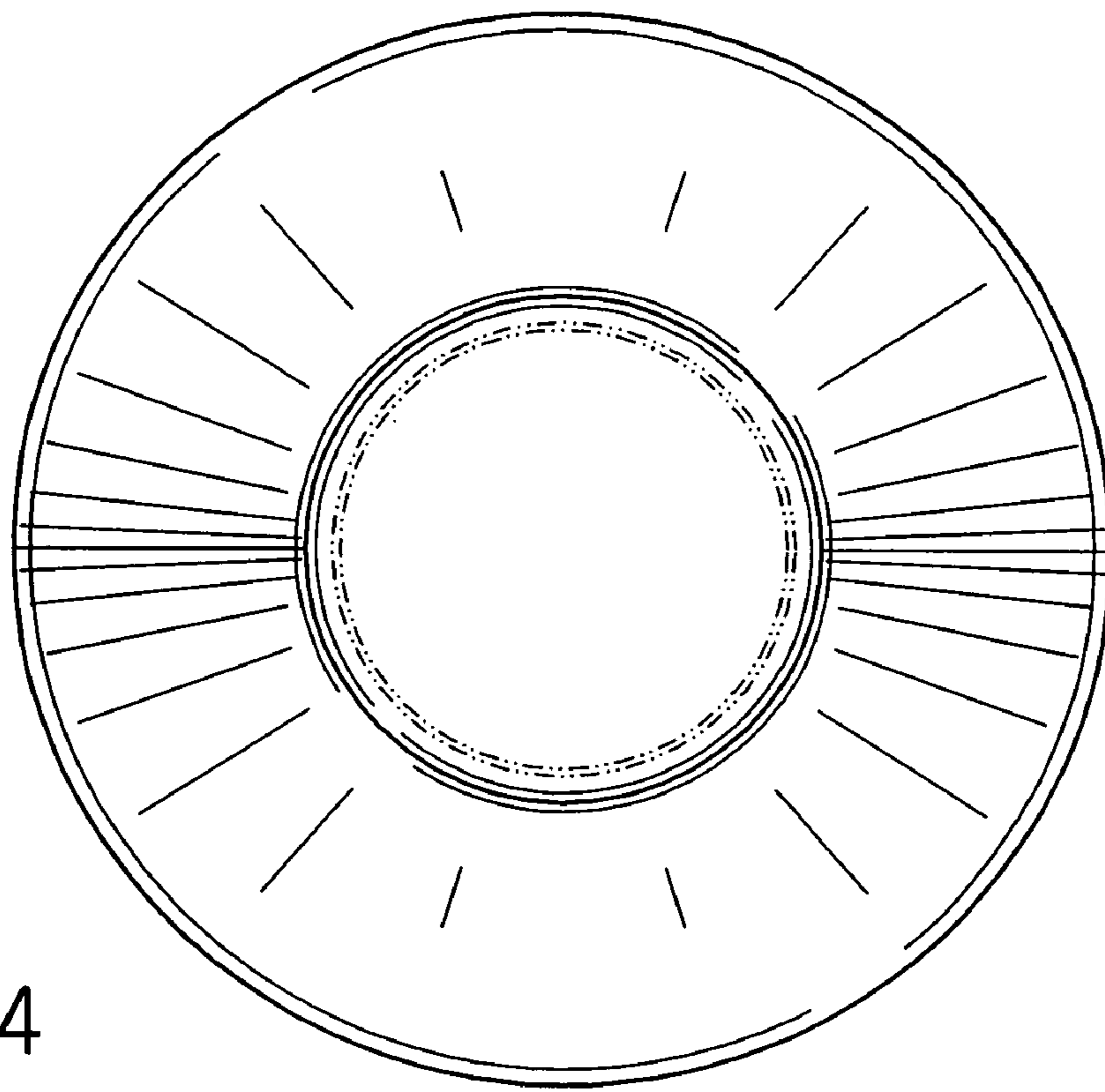


FIG. 4

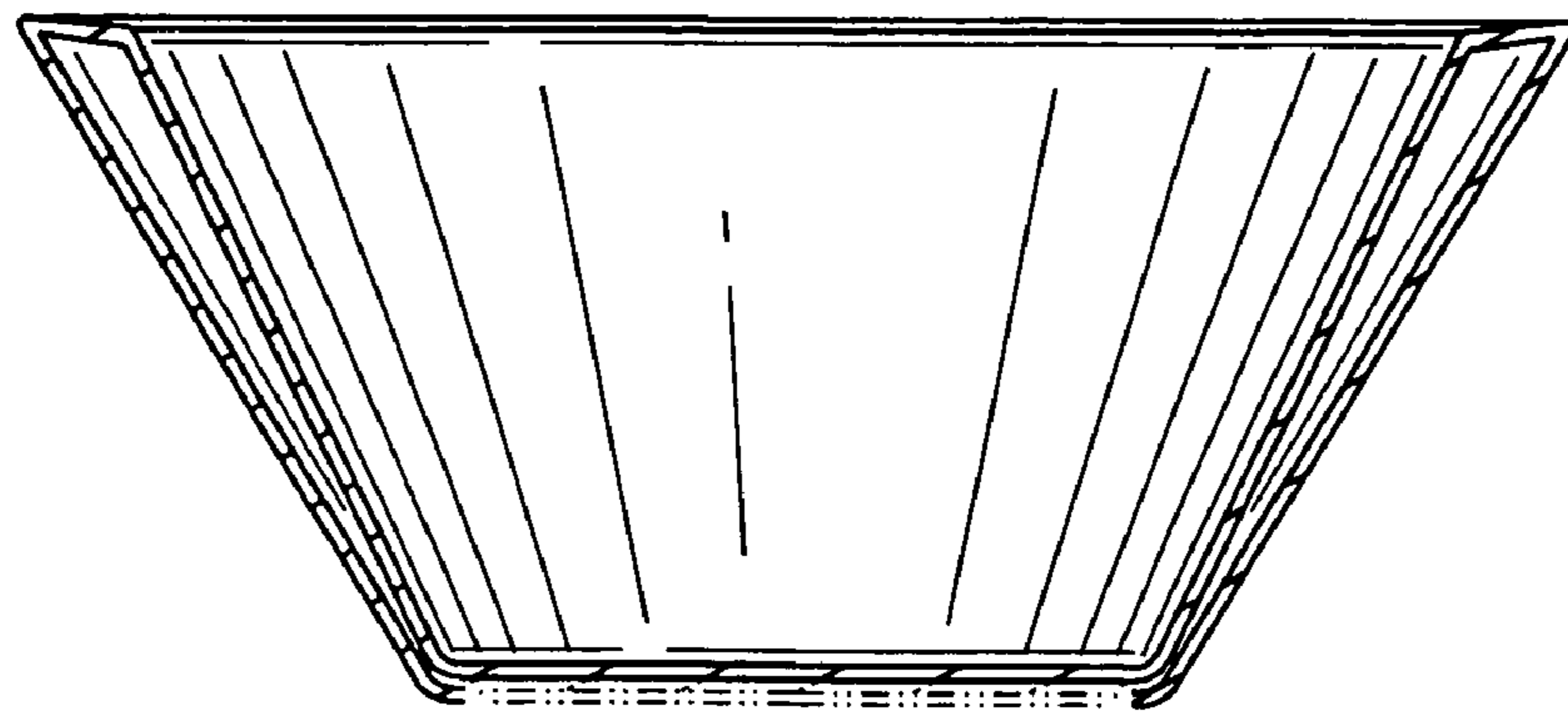


FIG. 5