



US00D547124S

(12) **United States Design Patent**
Peretz

(10) **Patent No.:** **US D547,124 S**

(45) **Date of Patent:** **** Jul. 24, 2007**

(54) **BAKING CONTAINER**

(75) Inventor: **Michael Peretz**, Tel Aviv (IL)

(73) Assignee: **Bramli Plastic Industries Ltd.**, Ben Gurion Airport (IL)

(**) Term: **14 Years**

(21) Appl. No.: **29/252,751**

(22) Filed: **Jan. 27, 2006**

(30) **Foreign Application Priority Data**

Jul. 28, 2005 (IL) 41146

(51) **LOC (8) Cl.** **07-01**

(52) **U.S. Cl.** **D7/538; D7/505**

(58) **Field of Classification Search** D7/500,
D7/524, 538, 554.2, 554.4, 571, 601-641,
D7/597, 552.1, 553.6, 300, 307, 318, 321,
D7/619.1, 392, 505; D9/424-435, 443, 452,
D9/761; 220/4.23, 737; 206/557

See application file for complete search history.

(56) **References Cited**

U.S. PATENT DOCUMENTS

1,607,865 A * 11/1926 Butler 206/542
1,625,335 A * 4/1927 Schneider 215/228
1,853,852 A * 4/1932 Estes 220/735
3,955,742 A * 5/1976 Marshall et al. 220/574
D260,346 S * 8/1981 Lebowitz D7/665
5,443,174 A * 8/1995 Bauer 220/212

5,706,974 A * 1/1998 Murdick et al. 220/735
6,168,044 B1 * 1/2001 Zettle et al. 220/784
6,604,646 B2 * 8/2003 Tornainen et al. 220/212
D486,734 S * 2/2004 Weber D9/445
D510,503 S * 10/2005 Tollman D7/505
D528,432 S * 9/2006 Snedden et al. D9/716
2004/0094548 A1 * 5/2004 Laveault 220/212

* cited by examiner

Primary Examiner—Philip S. Hyder

Assistant Examiner—Cynthia Underwood

(74) *Attorney, Agent, or Firm*—Blank Rome LLP

(57) **CLAIM**

The ornamental design for a baking container, as shown and described.

DESCRIPTION

FIG. 1 is a perspective view of a baking container;

FIG. 2 is a top view of a baking container illustrated in FIG. 1;

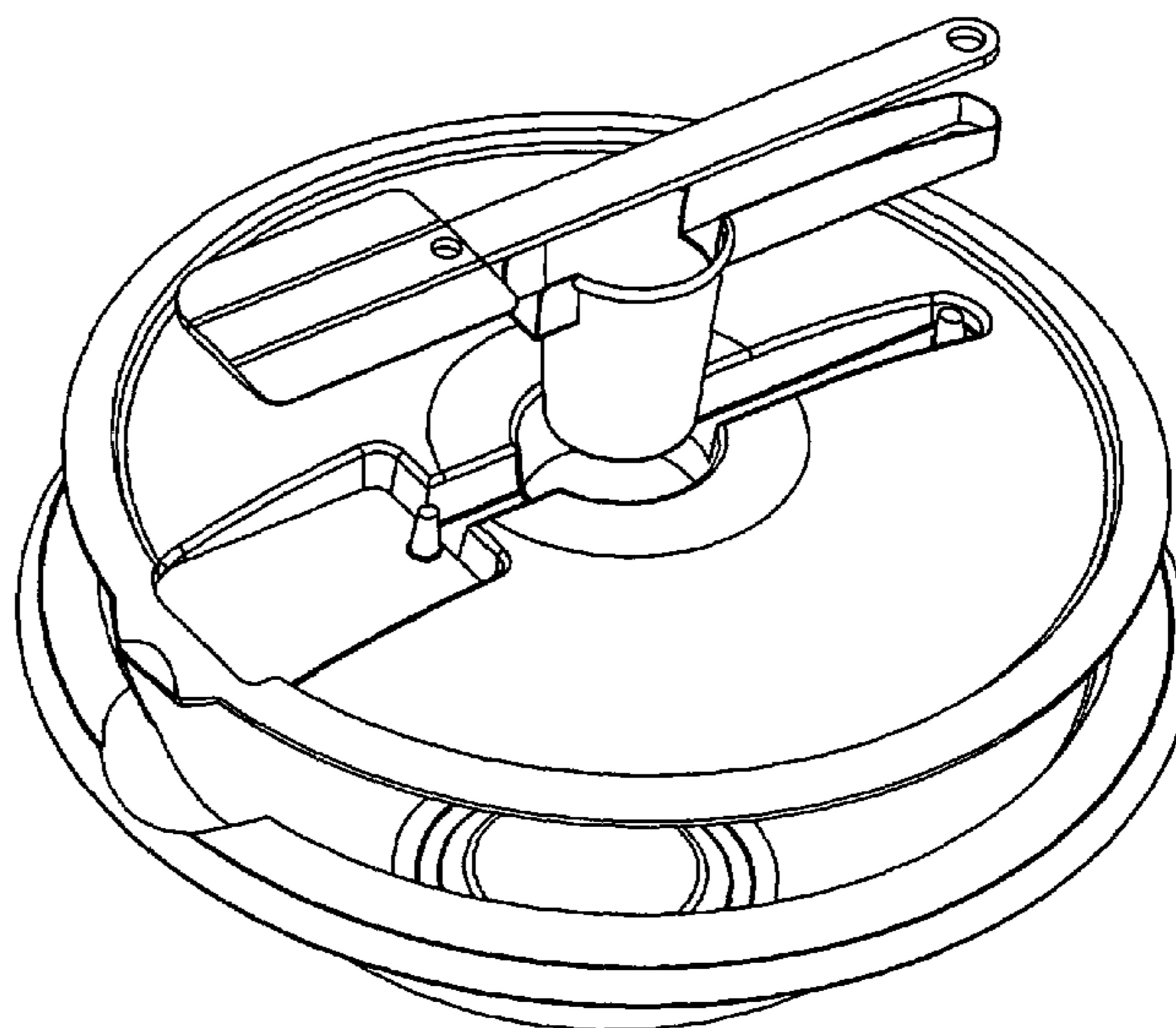
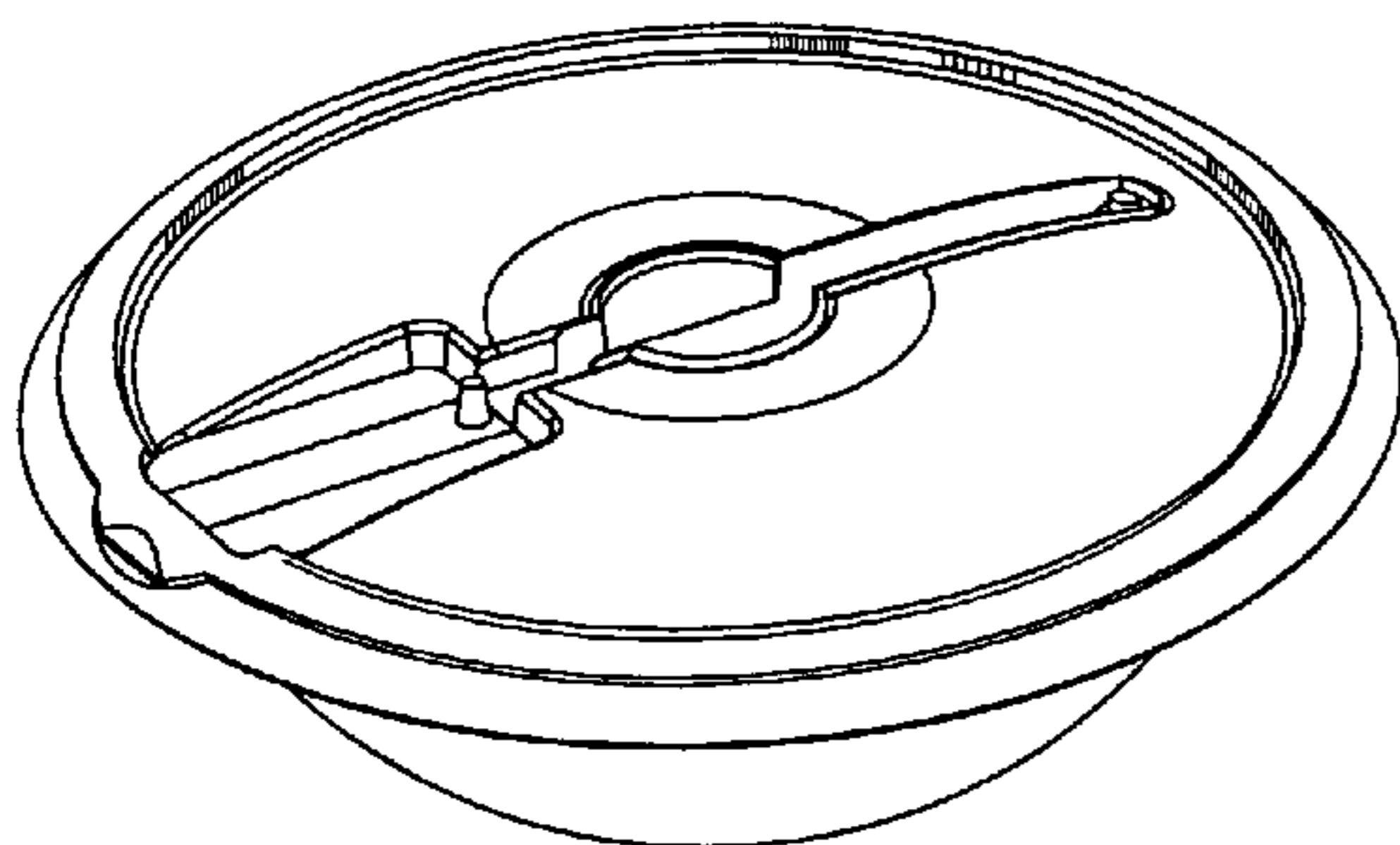
FIG. 3 is a side view of a baking container illustrated in FIGS. 1-2;

FIG. 4 is a bottom view of a baking container illustrated in FIGS. 1-3;

FIG. 5 is an exploded perspective view of a baking container illustrated in FIGS. 1-4; and,

FIG. 6 is an exploded side view of a baking container illustrated in FIGS. 1-5.

1 Claim, 3 Drawing Sheets



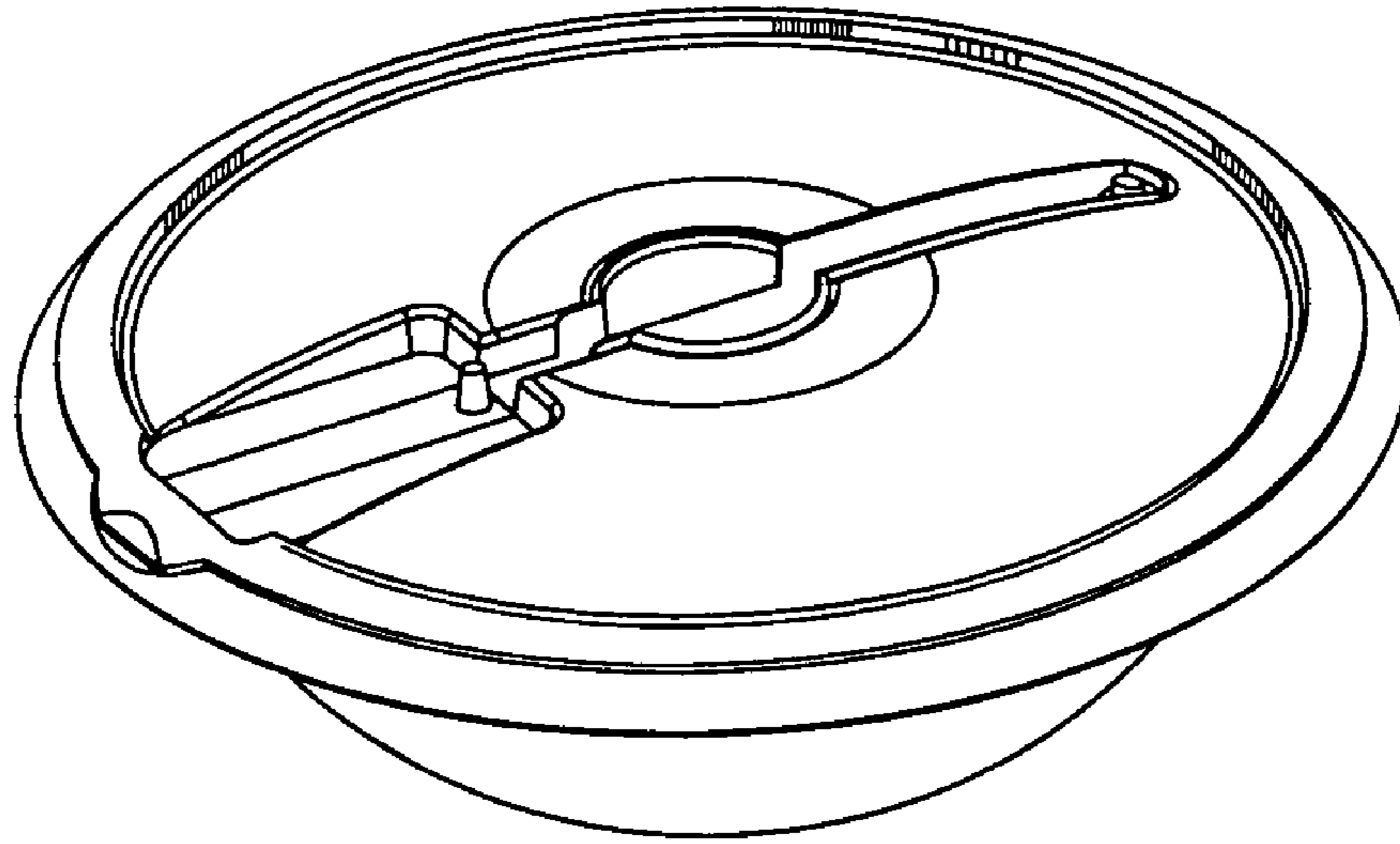


FIG. 1

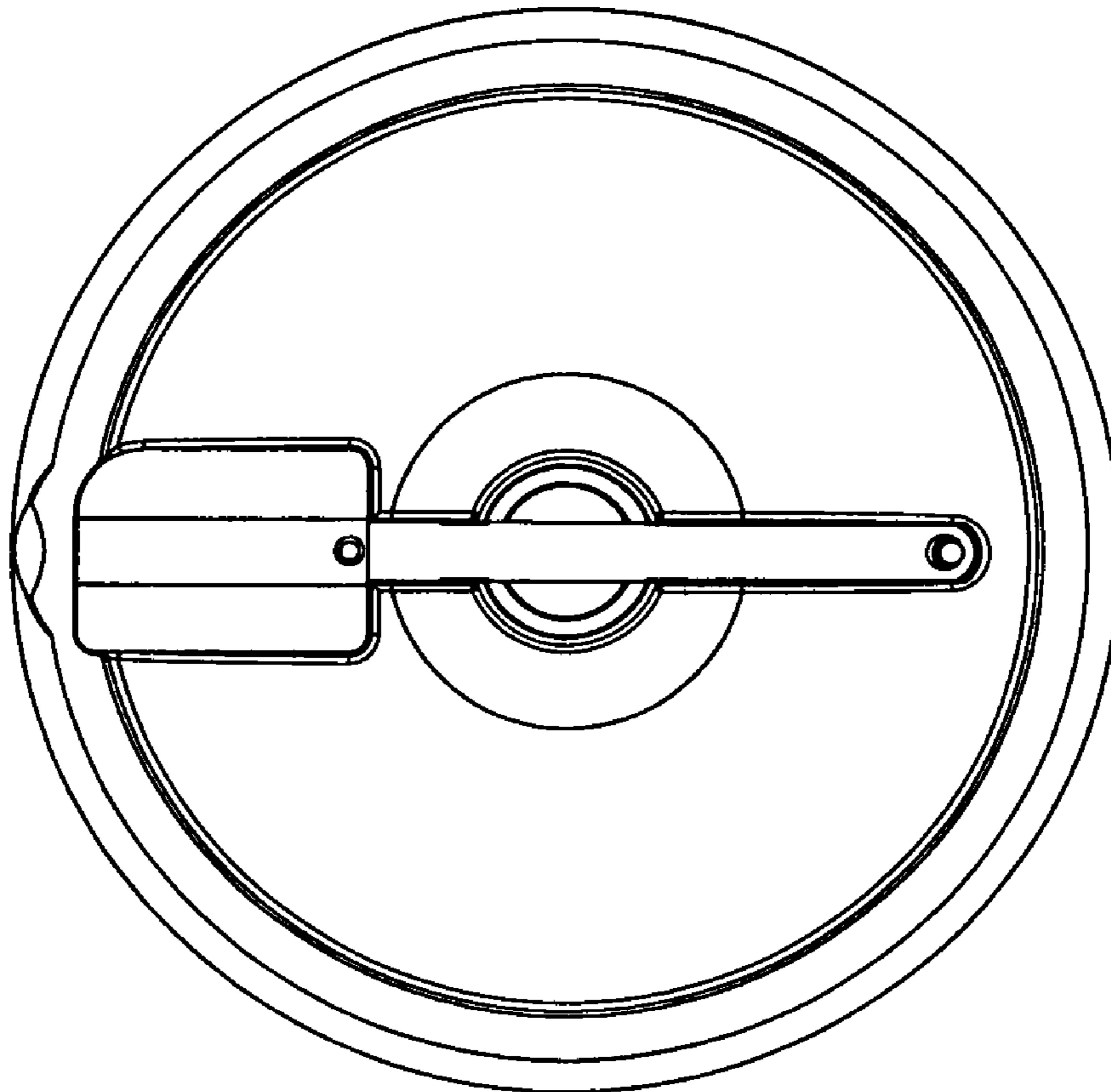


FIG. 2

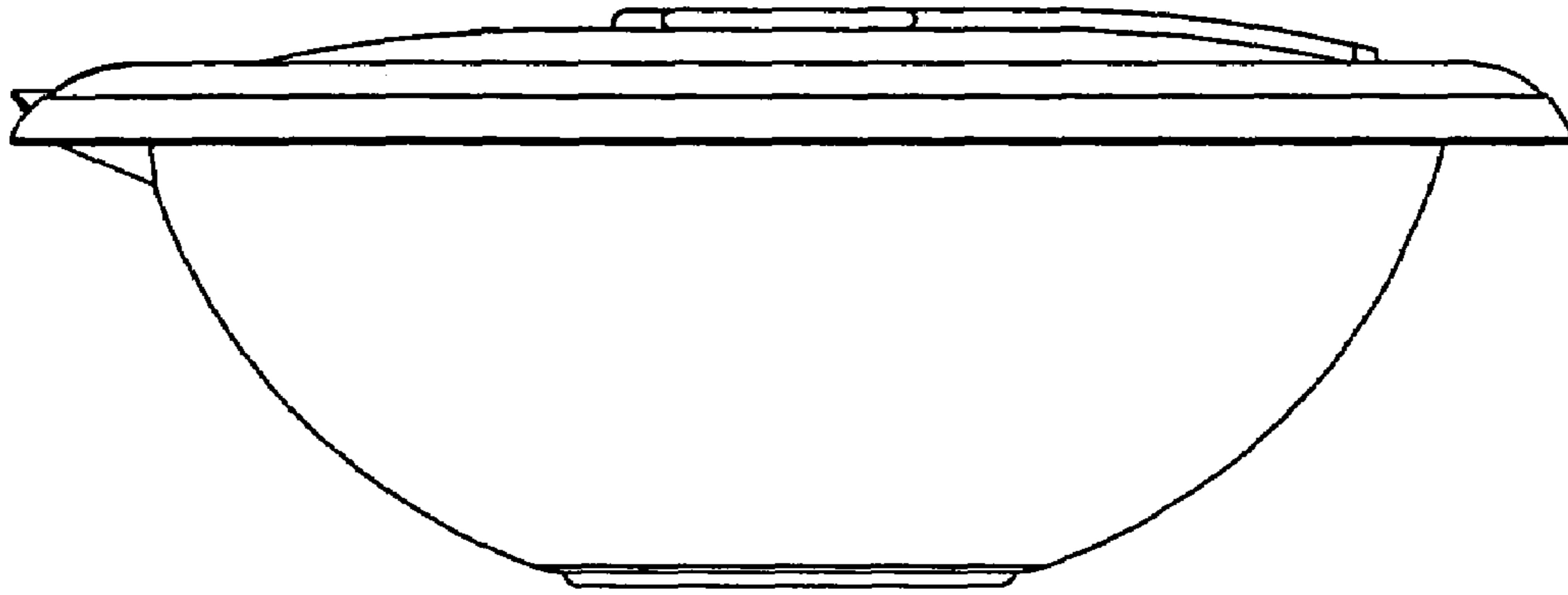


FIG. 3

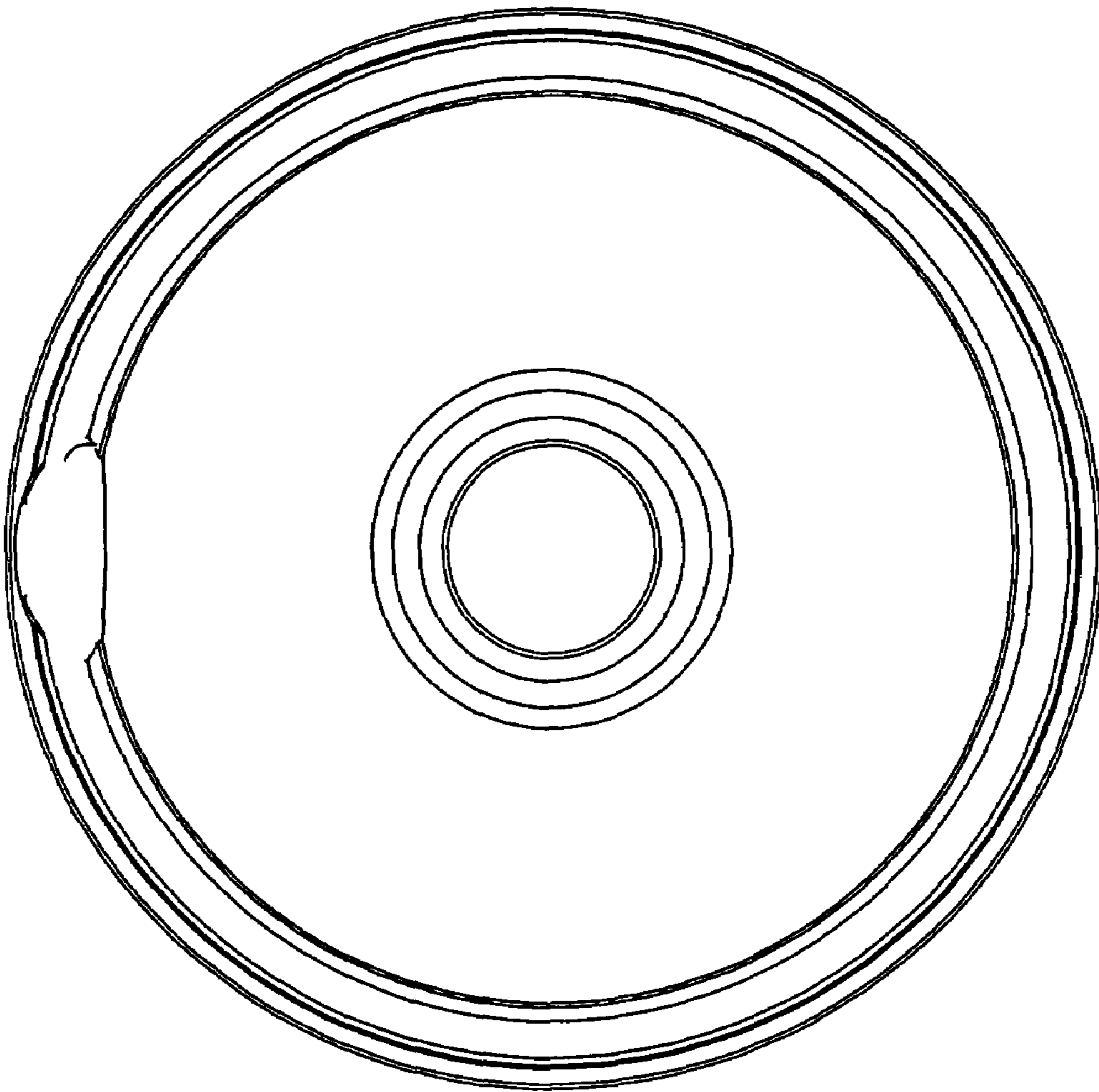


FIG. 4

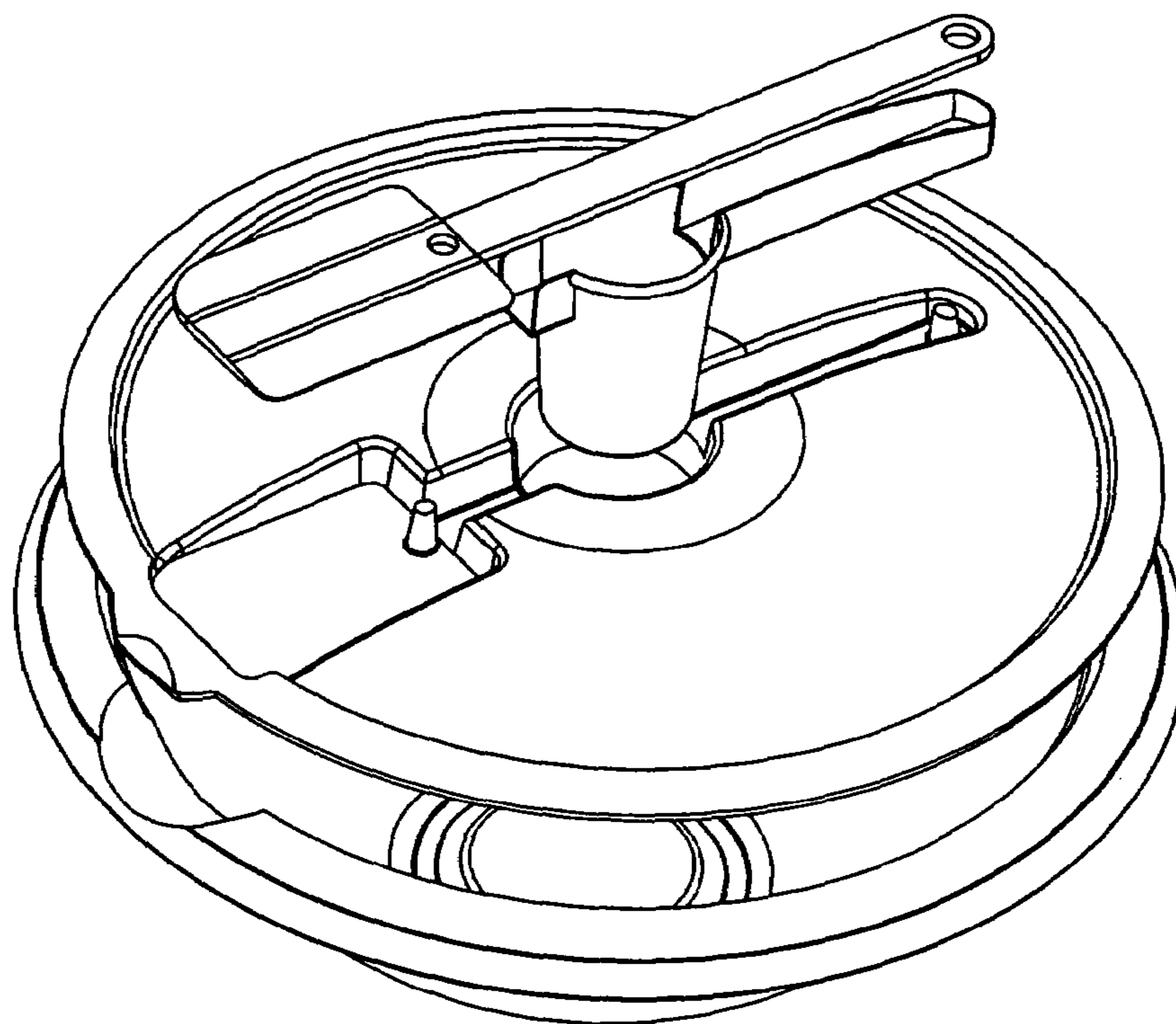


FIG. 5

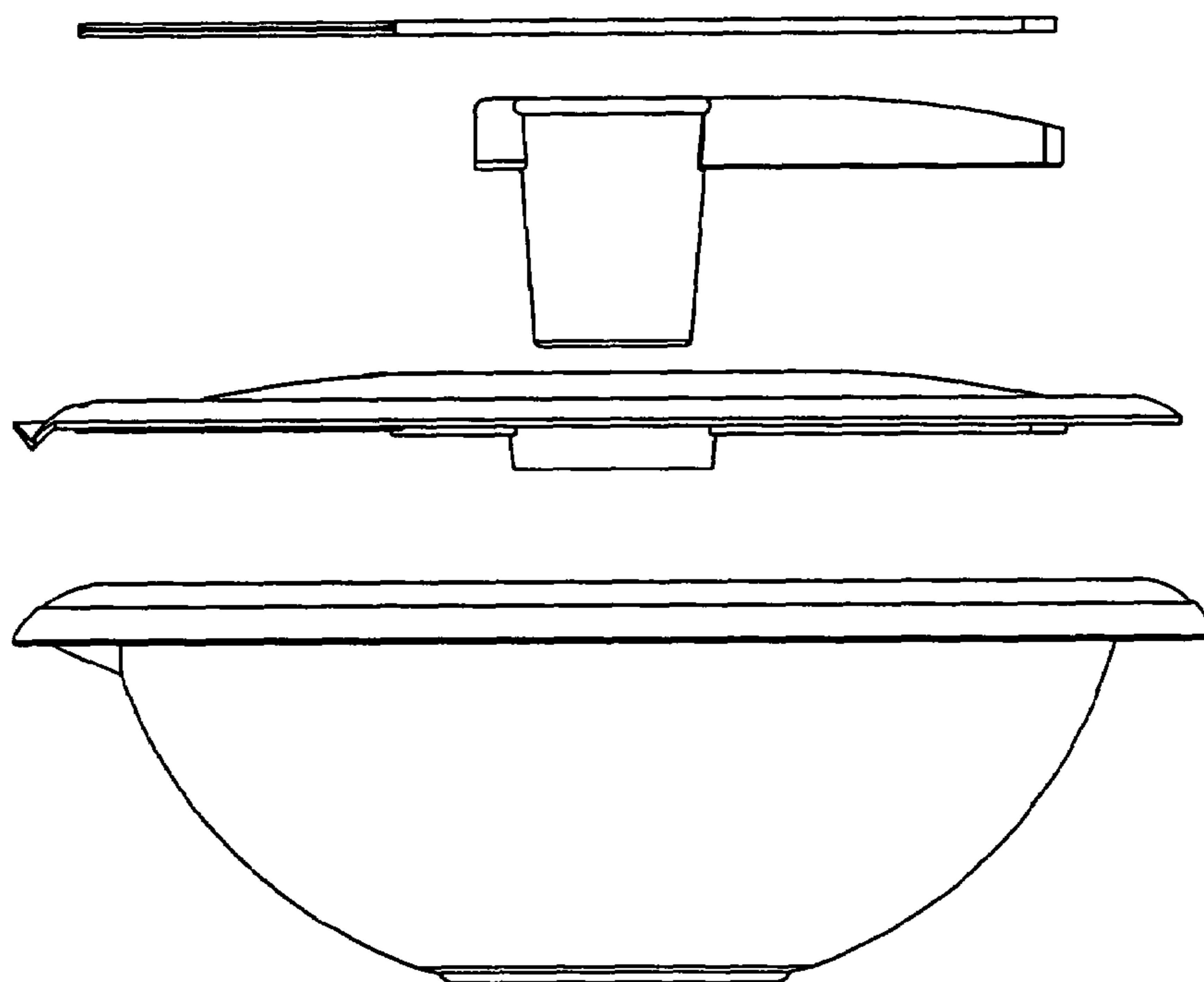


FIG. 6