

US00D547123S

(12) **United States Design Patent**
Sandberg

(10) **Patent No.:** **US D547,123 S**

(45) **Date of Patent:** **** Jul. 24, 2007**

(54) **DRINKWARE**

(75) Inventor: **Emma Sandberg**, Huddinge (SE)

(73) Assignee: **Xindao B.V.**, Rijswijk (NL)

(**) Term: **14 Years**

(21) Appl. No.: **29/246,274**

(22) Filed: **Mar. 28, 2006**

(51) **LOC (8) Cl.** **07-01**

(52) **U.S. Cl.** **D7/532; D7/523**

(58) **Field of Classification Search** D7/507,
D7/509, 510, 511, 536, 533, 300.2, 396.3,
D7/584, 532, 523; 215/387, DIG. 7, 229;
220/715, 710.5, 711, 703, 592.16, 592.17,
220/710; 219/386, 432, 438, 436; D11/153;
D9/503, 538, 549, 556

See application file for complete search history.

(56) **References Cited**

U.S. PATENT DOCUMENTS

D70,476 S *	6/1926	Heisey	D7/532
D73,511 S *	9/1927	Schrader	D7/523
D96,731 S *	9/1935	Dougherty	D7/532
2,028,566 A *	1/1936	Seipel et al.	294/31.2
D104,524 S *	5/1937	Bottome	D11/153
D107,991 S *	1/1938	Hansen	D7/532
D108,220 S *	2/1938	Shapiro	D7/532
D112,560 S *	12/1938	Cunningham	D7/532
D124,317 S *	12/1940	Lundy	D7/532
D234,110 S *	1/1975	Achenbach	D7/532
D296,506 S	7/1988	Obendorfer et al.		
D316,358 S	4/1991	Thorp		
D346,308 S	4/1994	Cautereels et al.		

D375,871 S	11/1996	Jarvis		
5,607,076 A *	3/1997	Anthony	220/501
D407,946 S *	4/1999	Brewer et al.	D7/510
D413,766 S	9/1999	Hou		
D417,591 S *	12/1999	Roehrig	D7/510
D437,185 S *	2/2001	Freed	D7/510
D442,029 S *	5/2001	Otake	D7/510
D474,073 S	5/2003	Rorke et al.		
D474,074 S	5/2003	Hou		
D475,890 S *	6/2003	Mazonkey	D7/507
D478,778 S	8/2003	Jarvis et al.		
D479,669 S *	9/2003	Norris et al.	D7/532
D480,270 S	10/2003	Hou		
D489,225 S *	5/2004	Leinenweber	D7/510
D503,072 S *	3/2005	Norris et al.	D7/532
D534,038 S *	12/2006	Kramer et al.	D7/510

* cited by examiner

Primary Examiner—M. N. Pandozzi

(74) *Attorney, Agent, or Firm*—Blackwell Sanders Peper Martin, LLP

(57) **CLAIM**

The ornamental design for drinkware, as shown and described.

DESCRIPTION

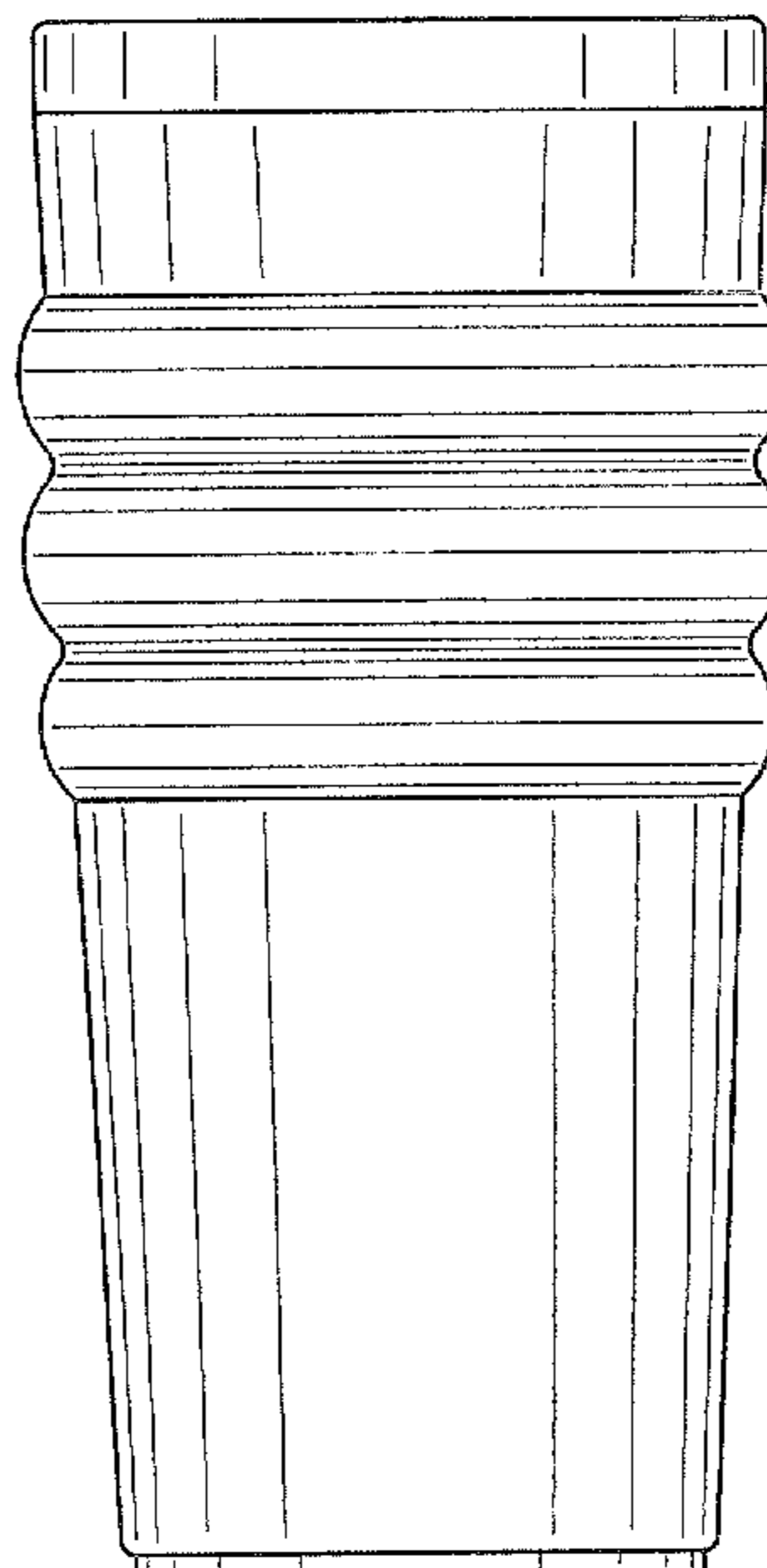
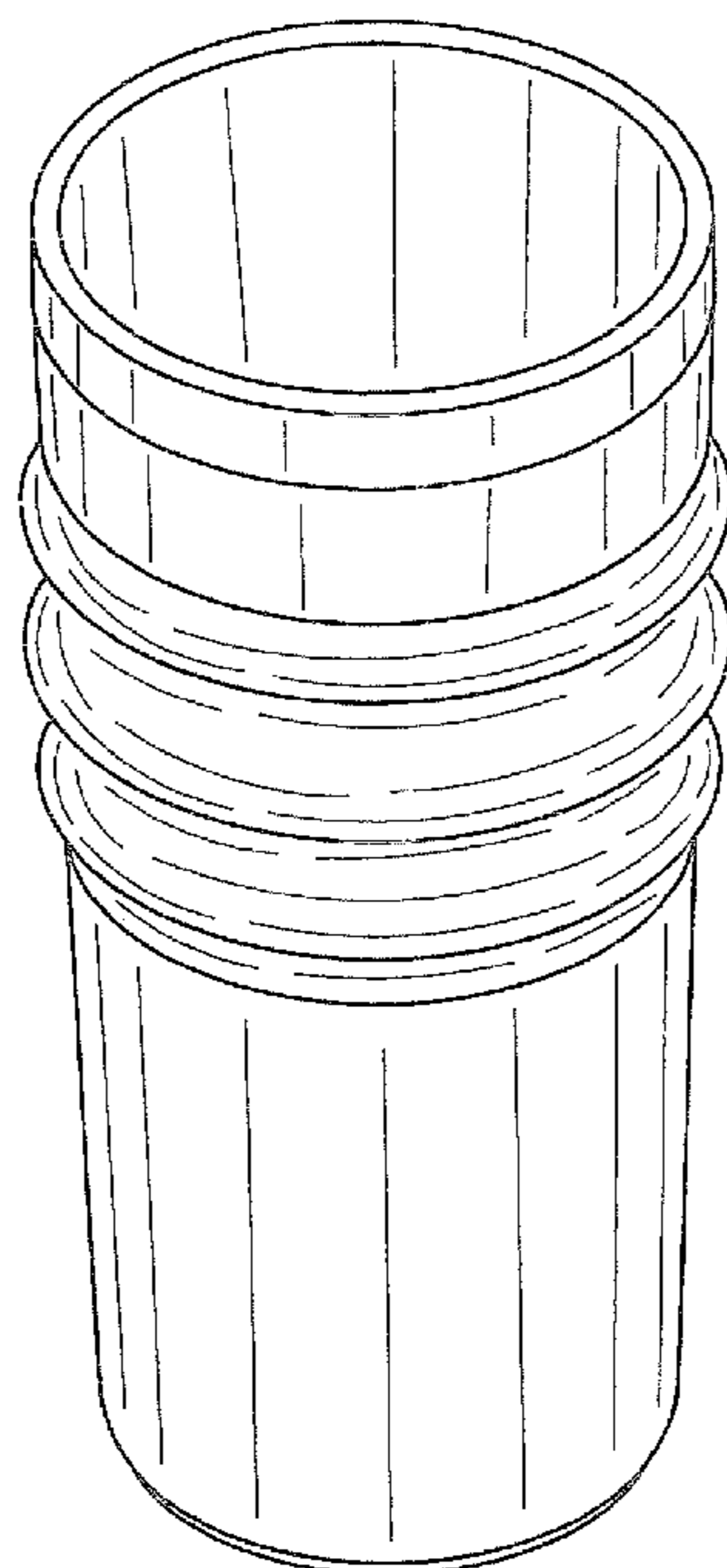
FIG. 1 is a perspective view of a drinkware showing my new design.

FIG. 2 is a front elevational view thereof, the rear and side elevations views being an identical image thereof.

FIG. 3 is a top plan view thereof; and,

FIG. 4 is a bottom plan view thereof.

1 Claim, 1 Drawing Sheet



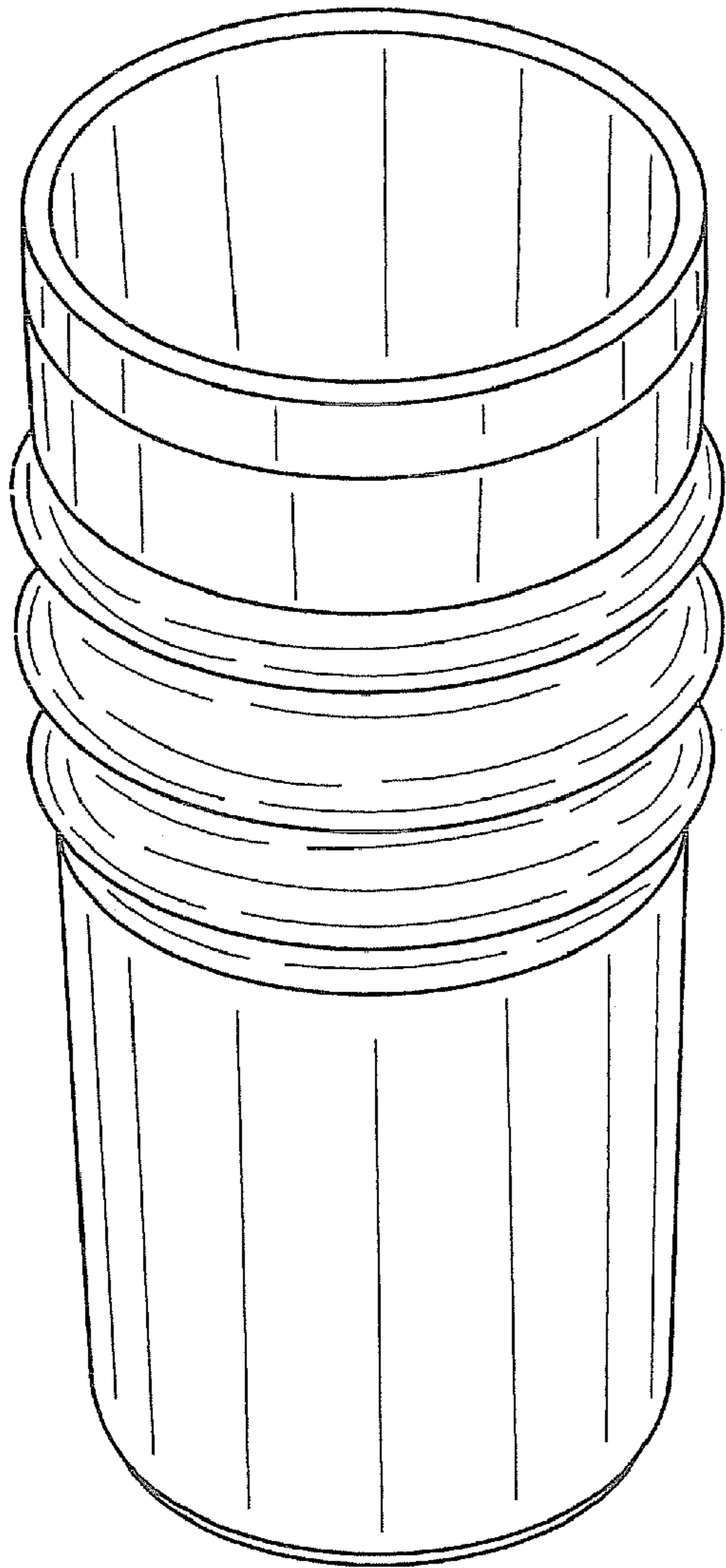


FIG. 1

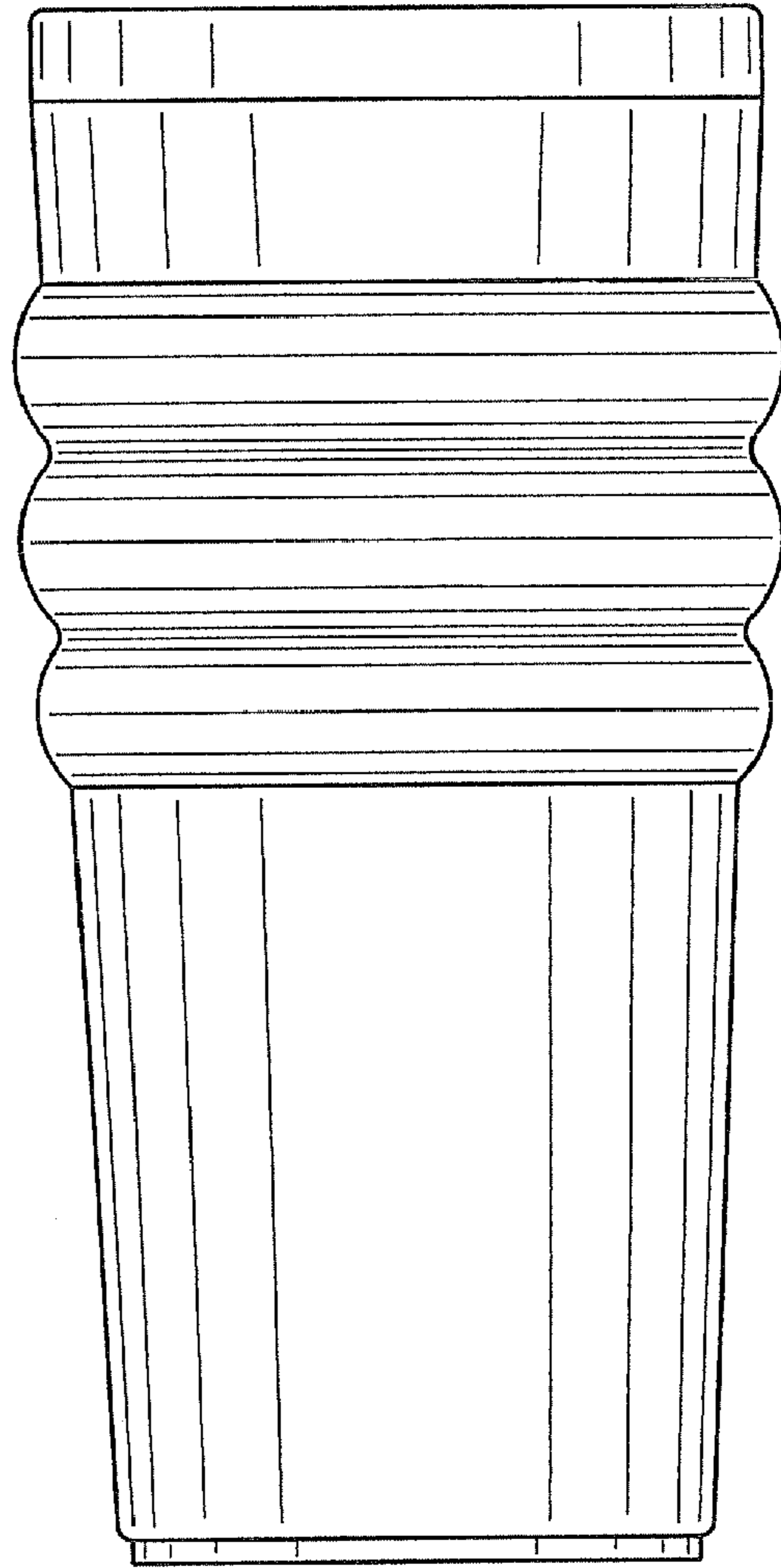


FIG. 2

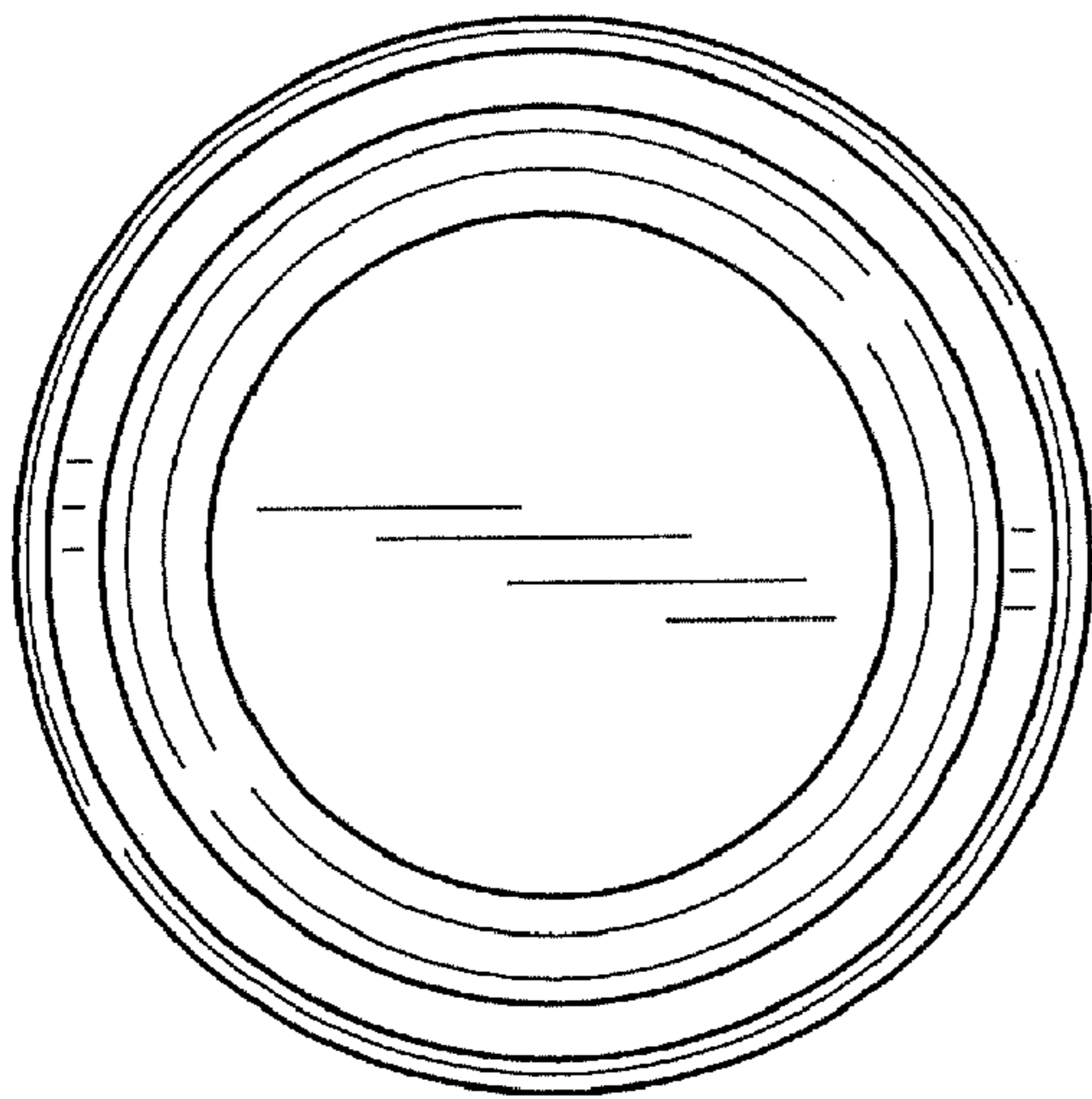


FIG. 3

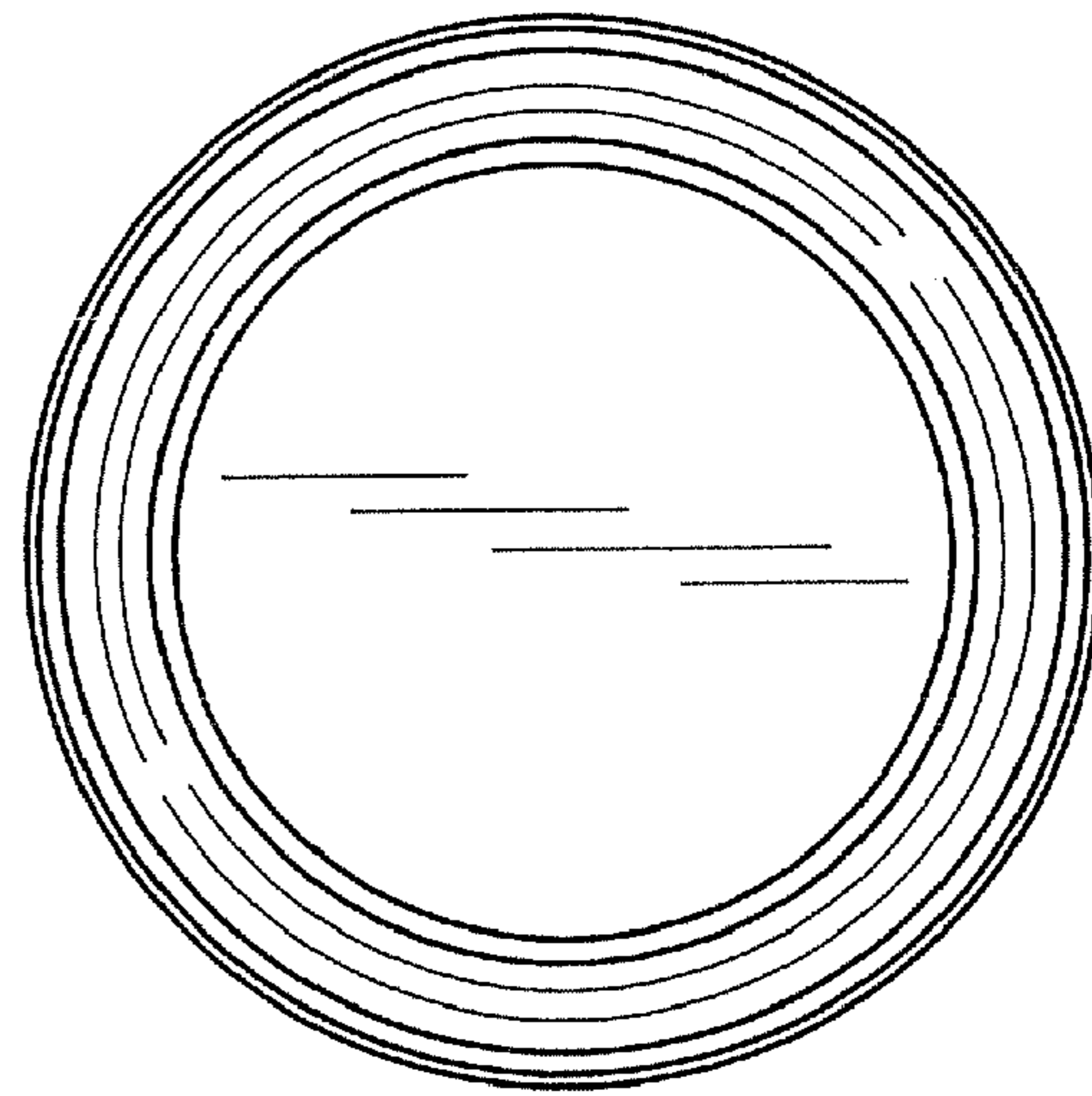


FIG. 4