



US00D547118S

(12) **United States Design Patent** (10) **Patent No.:** **US D547,118 S**
Picozza et al. (45) **Date of Patent:** **** Jul. 24, 2007**

(54) **MIXER STAND**

(75) Inventors: **Augusto Picozza**, Boca Raton, FL (US); **James Junker**, Miami, FL (US); **Brooks Rorke**, Guilford, CT (US)

(73) Assignee: **Sunbeam Products, Inc.**, Boca Raton, FL (US)

(**) Term: **14 Years**

(21) Appl. No.: **29/260,152**

(22) Filed: **May 17, 2006**

(51) **LOC (8) Cl.** **07-02**

(52) **U.S. Cl.** **D7/412**

(58) **Field of Classification Search** D7/376-386,
D7/412, 414, 323, 665, 326, 396.6; 30/390-394;
99/509-511; 241/166-169.1, 274-278.2,
241/285.1-285.3, 291, 292.1; 366/53-67,
366/98, 197-221, 241-254, 279-292, 341-343;
392/336; D9/455

See application file for complete search history.

(56) **References Cited**

U.S. PATENT DOCUMENTS

D175,601 S * 9/1955 Huck D7/386
2,903,249 A * 9/1959 Knapp 366/199
D241,404 S * 9/1976 Mantelet D7/384
D308,154 S * 5/1990 Tow D7/326

D318,398 S * 7/1991 Disco D7/378
D343,987 S * 2/1994 Rotte D7/386
D406,154 S * 2/1999 Copland et al. D15/82
D426,423 S * 6/2000 Lee D7/384
6,100,504 A * 8/2000 Wagner 219/432
D443,468 S * 6/2001 Blaise D7/386
D448,236 S * 9/2001 Murray D7/326
6,403,928 B1 * 6/2002 Ford 219/432

* cited by examiner

Primary Examiner—Cathron C. Brooks

Assistant Examiner—Ricky Pham

(74) *Attorney, Agent, or Firm*—Lawrence J. Shurupoff

(57) **CLAIM**

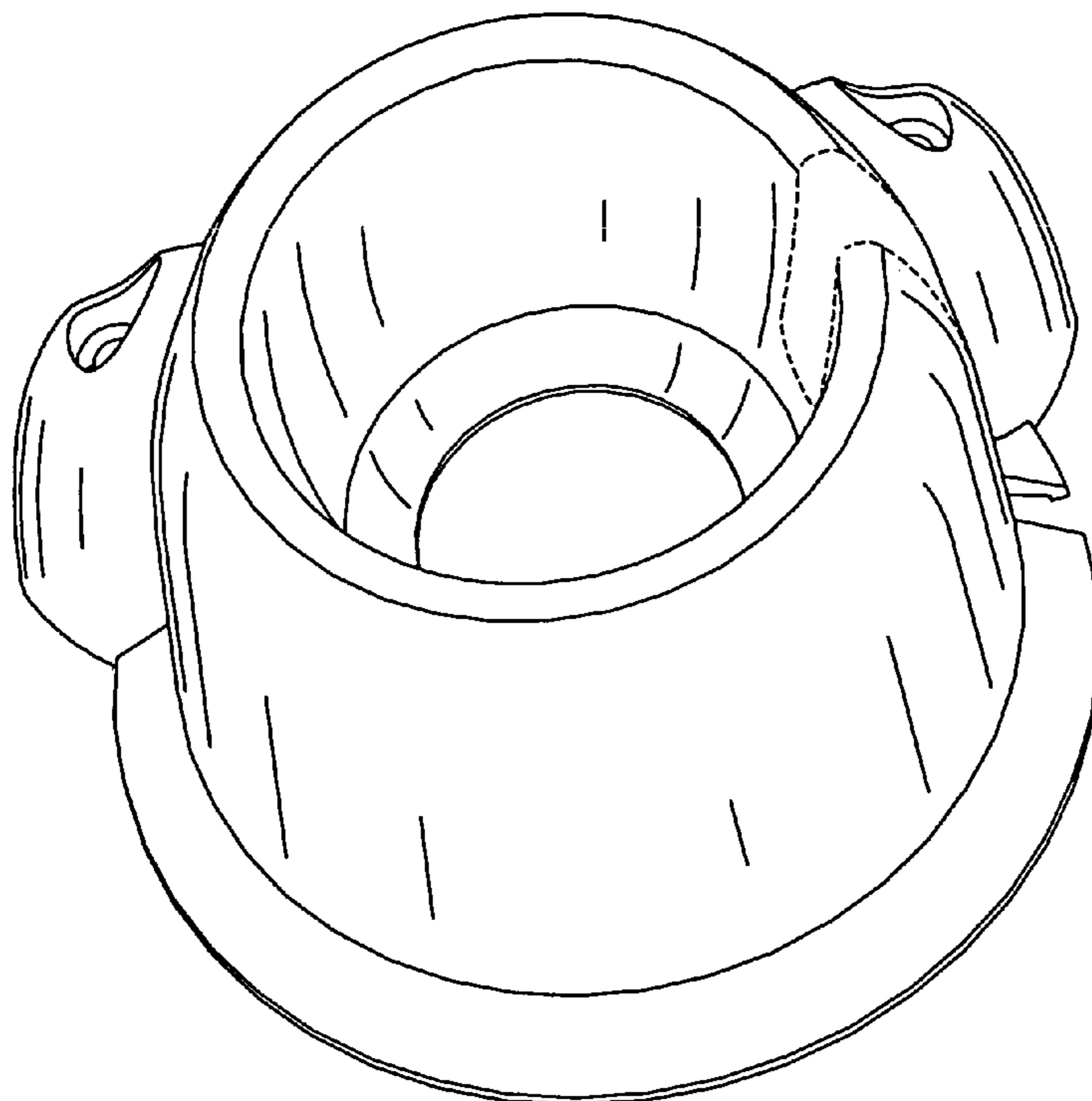
The ornamental design for a mixer stand, as shown and described.

DESCRIPTION

FIG. 1 is a right top front perspective view of a mixer stand;
FIG. 2 is a left side elevational view thereof;
FIG. 3 is a front elevational view thereof;
FIG. 4 is a right side elevational view thereof;
FIG. 5 is a rear elevational view thereof; and,
FIG. 6 is a top plan view thereof.

The broken lines in the drawings are for illustrative purposes only and form no part of the claimed design.

1 Claim, 6 Drawing Sheets



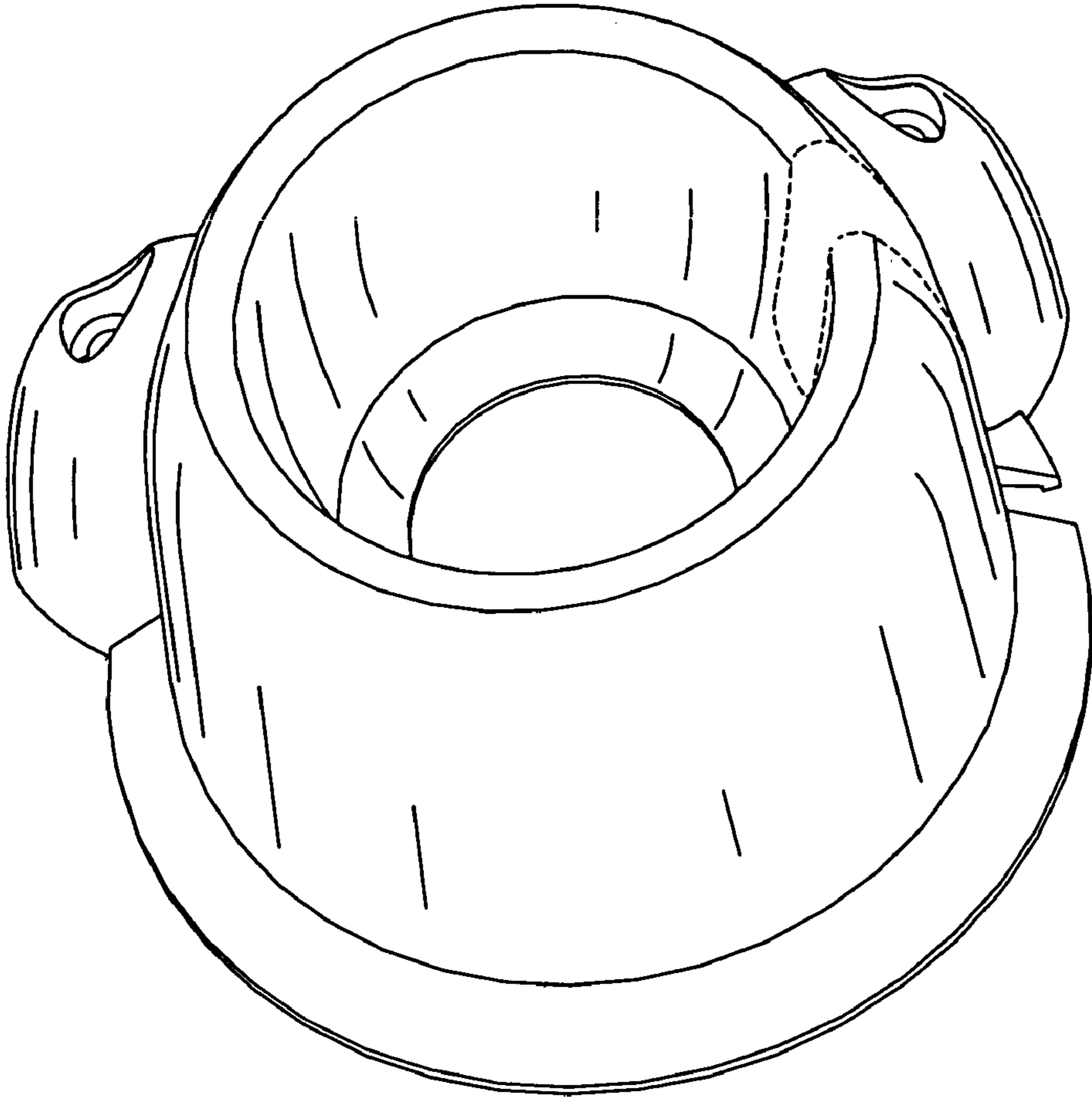


FIG 1

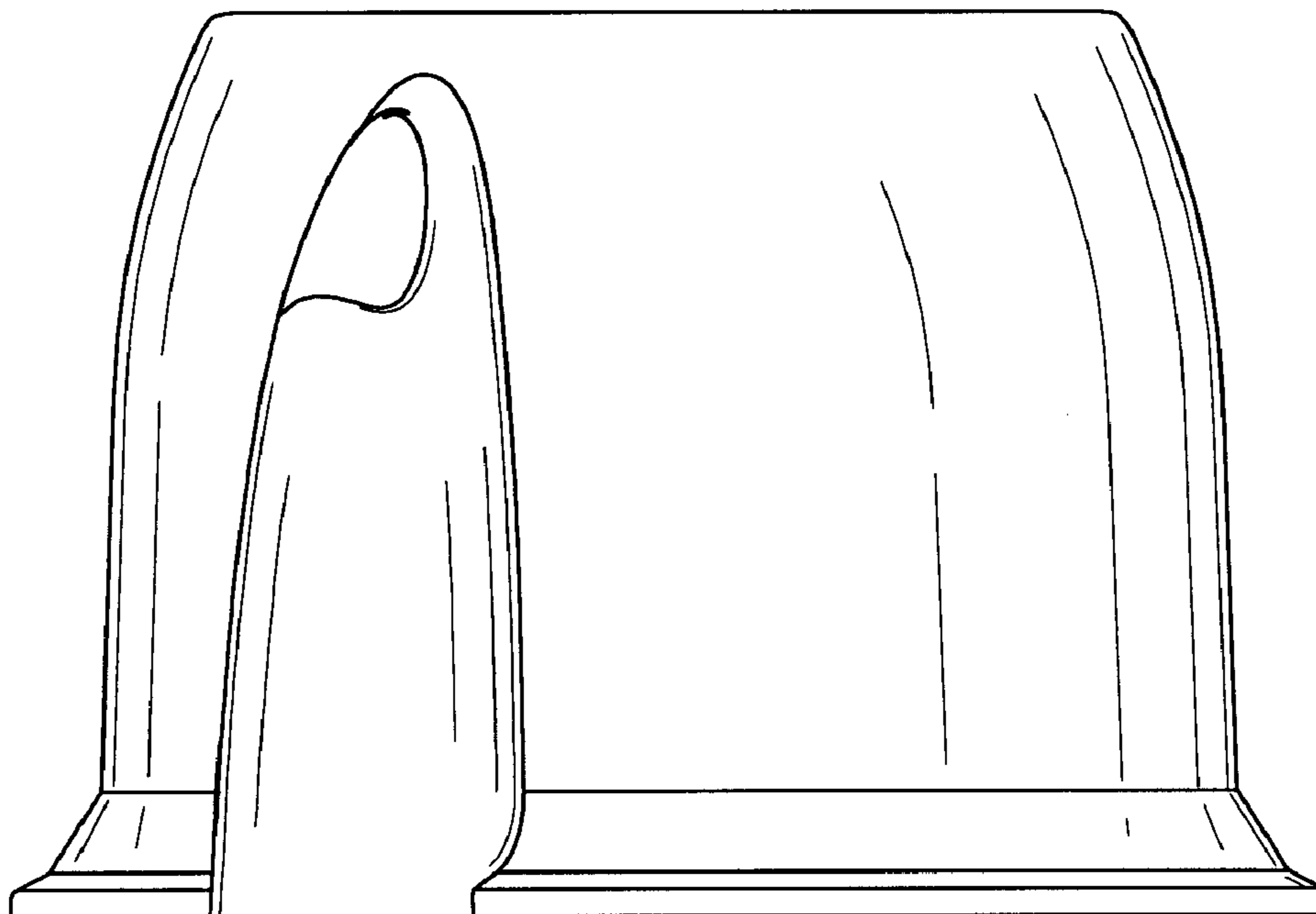


FIG 2

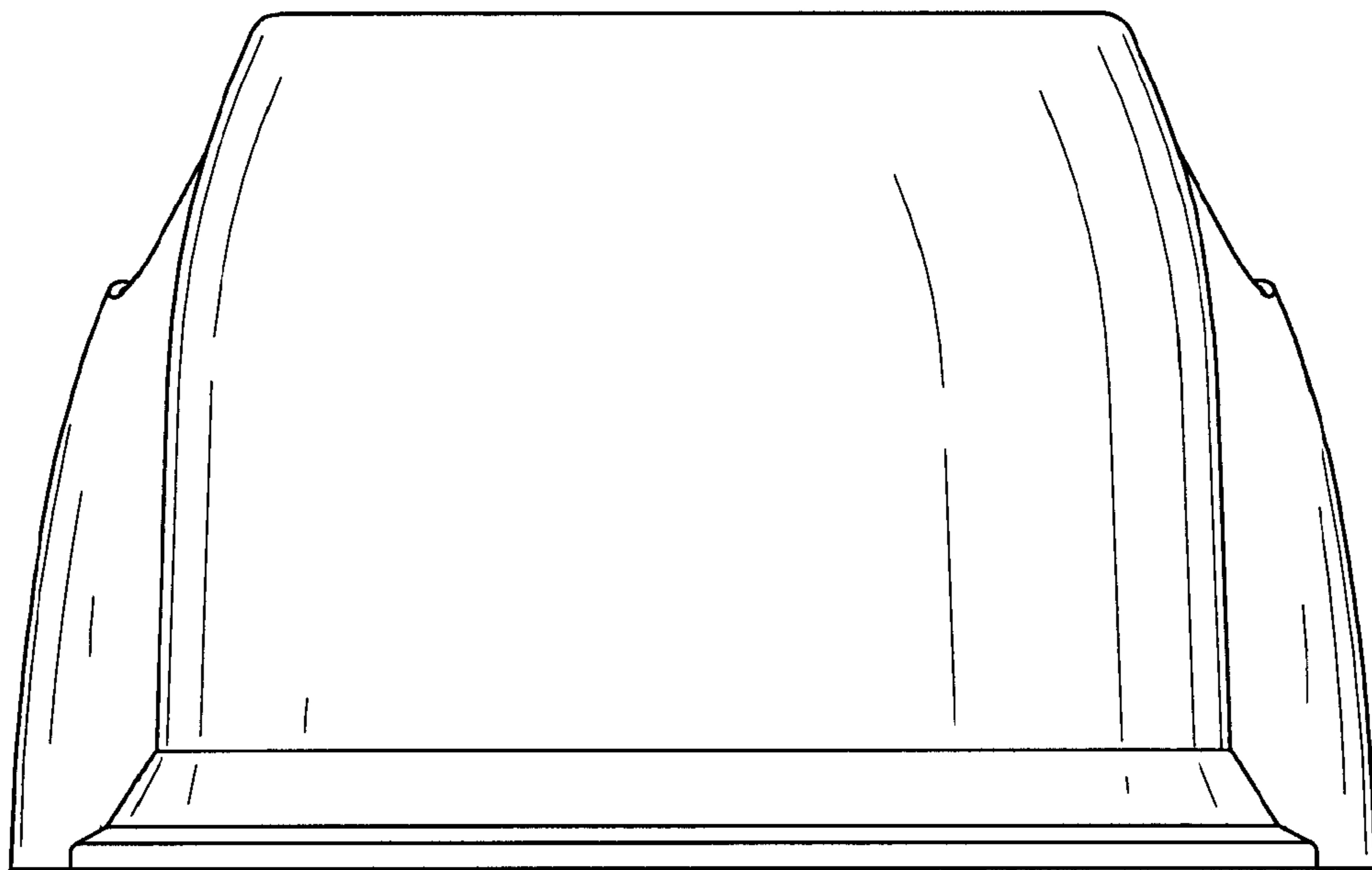


FIG 3

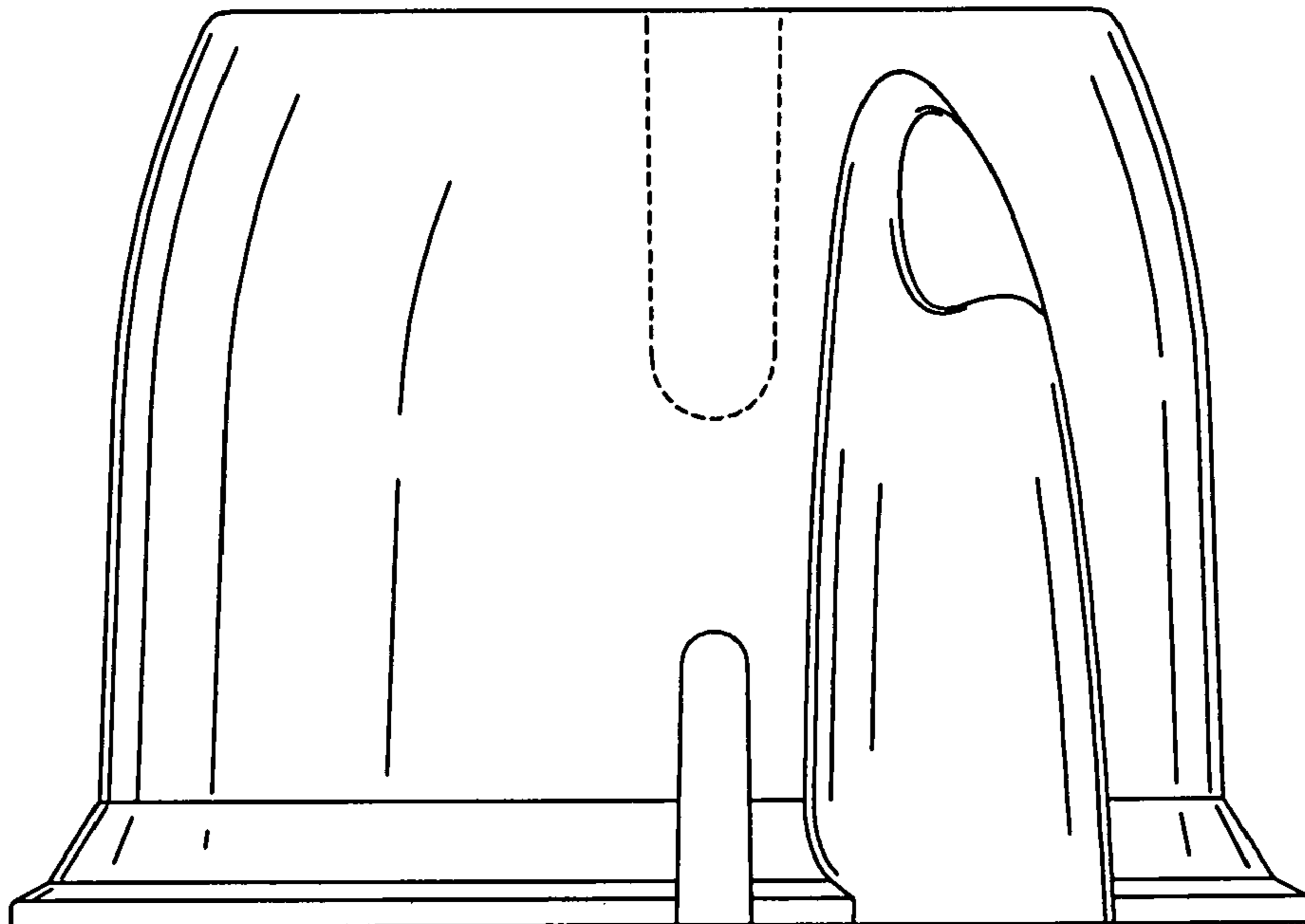


FIG 4

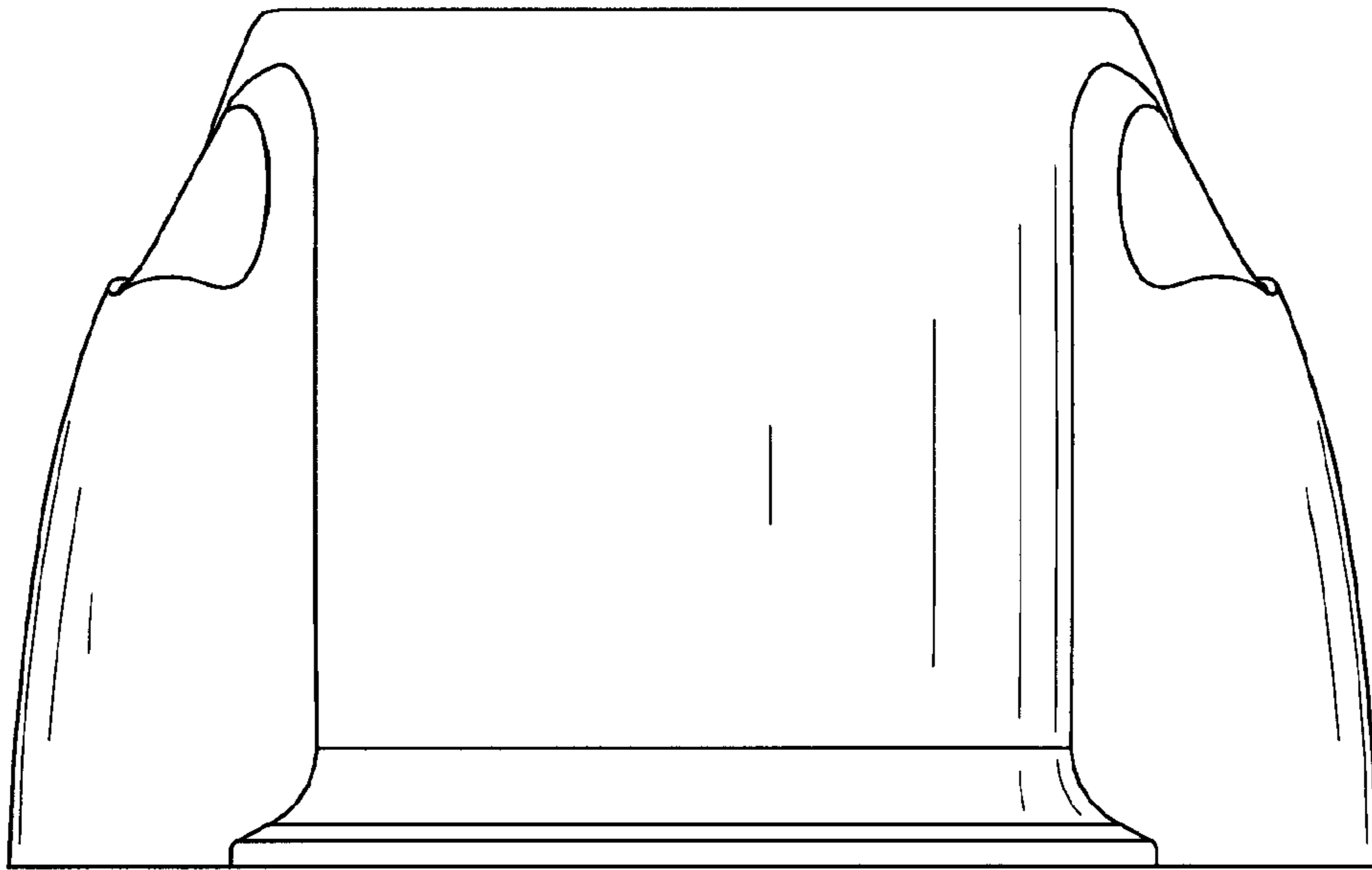


FIG 5

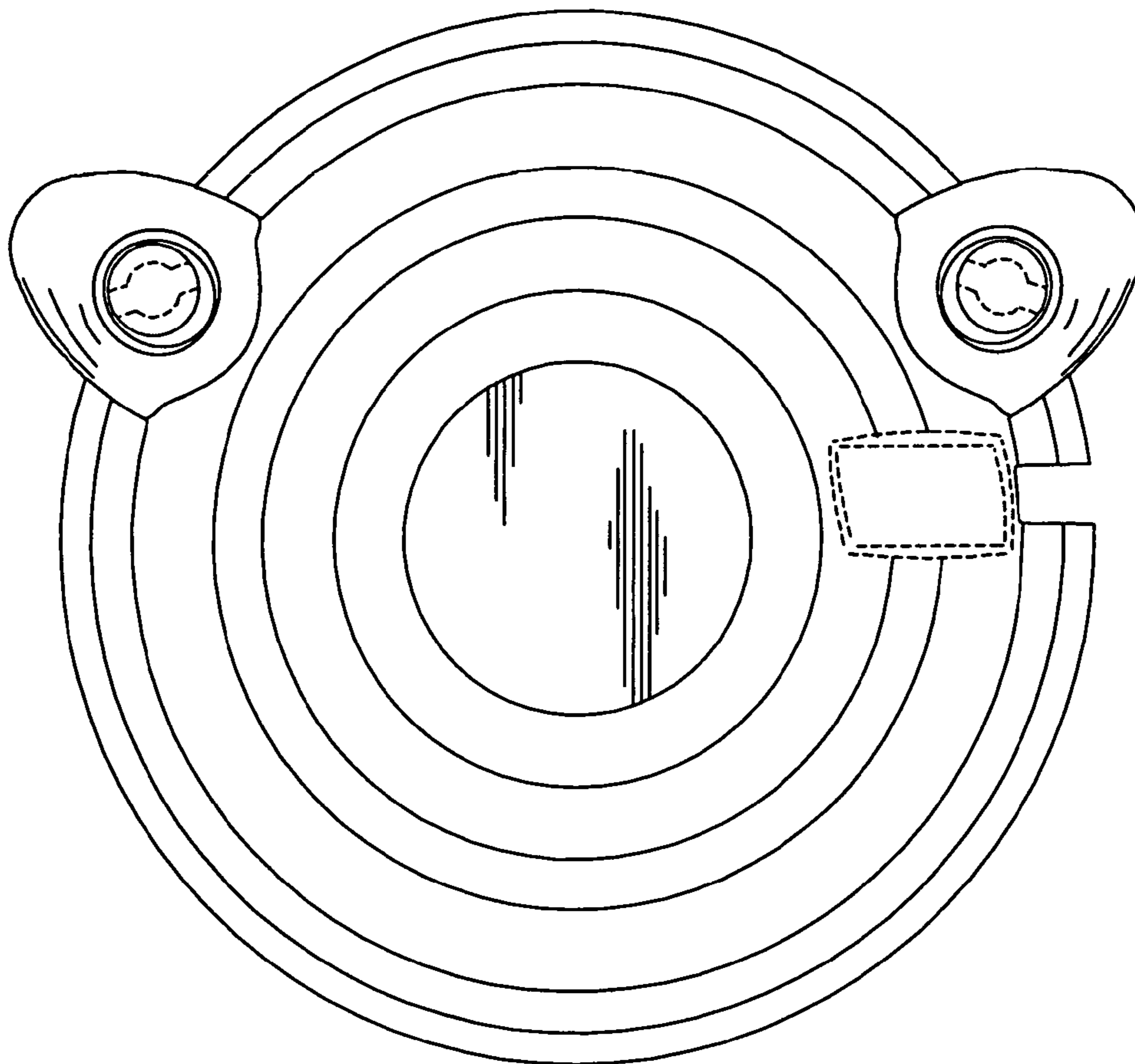


FIG 6