

US00D547116S

(12) **United States Design Patent**
Ranzoni

(10) **Patent No.:** **US D547,116 S**

(45) **Date of Patent:** **** Jul. 24, 2007**

(54) **VALVE FOR A CAPPUCCINO MAKER**

(75) Inventor: **Francesco Ranzoni**, Coccaglio (IT)

(73) Assignee: **Bialetti Industrie S.p.A.**, Omegna
(Verbania) (IT)

(**) Term: **14 Years**

(21) Appl. No.: **29/221,609**

(22) Filed: **Jan. 19, 2005**

(30) **Foreign Application Priority Data**

Oct. 28, 2004 (EM) 000245659

(51) **LOC (8) Cl.** **07-99**

(52) **U.S. Cl.** **D7/398; D7/399**

(58) **Field of Classification Search** D7/300,
D7/306, 307, 308, 312, 387, 393, 396, 397,
D7/398, 399, 402, 313; 137/533.17; 251/309;
D23/233, 235; D10/66; D24/112; D9/434,
D9/437; 604/272, 411; 222/90, 81, 525;
428/77; 99/293

See application file for complete search history.

(56) **References Cited**

U.S. PATENT DOCUMENTS

- D165,846 S * 2/1952 Jagemann D7/396
- 3,012,752 A * 12/1961 Buck 251/309
- D228,057 S * 8/1973 Mdden et al. D7/402
- 5,454,409 A * 10/1995 McAffer et al. 141/329
- D404,250 S * 1/1999 Midden et al. D7/397
- D426,746 S * 6/2000 Busick et al. D7/398
- D440,631 S * 4/2001 Shipway D23/233

- D448,974 S * 10/2001 Hydak et al. D7/397
- D457,382 S * 5/2002 Coudurier D7/391
- D470,222 S * 2/2003 Nortier D23/233
- 6,610,041 B2 * 8/2003 Daubert et al. 604/415
- D496,094 S * 9/2004 Stevens D23/262
- D497,283 S * 10/2004 Groombridge D7/397
- D501,359 S * 2/2005 Bodum D7/397
- D524,097 S * 7/2006 Magnouloux D7/393
- D526,828 S * 8/2006 Jordana D7/309
- 7,093,615 B2 * 8/2006 Shane 137/801
- D528,845 S * 9/2006 Zimmermann D7/309
- D535,513 S * 1/2007 Zimmermann D7/309

* cited by examiner

Primary Examiner—M. N. Pandozzi

(74) *Attorney, Agent, or Firm*—Hogan & Hartson LLP

(57) **CLAIM**

The ornamental design of a valve for a cappuccino maker, as shown and described.

DESCRIPTION

FIG. 1 is a front view of a valve for a cappuccino maker showing my new design;

FIG. 2 is a back view of a valve for a cappuccino maker;

FIG. 3 is a left side view of a valve for a cappuccino maker;

FIG. 4 is a right side view of a valve for a cappuccino maker;

FIG. 5 is a bottom view of a valve for a cappuccino maker;

FIG. 6 is a top view of a valve for a cappuccino maker; and,

FIG. 7 is a perspective view of a valve for a cappuccino maker.

1 Claim, 2 Drawing Sheets

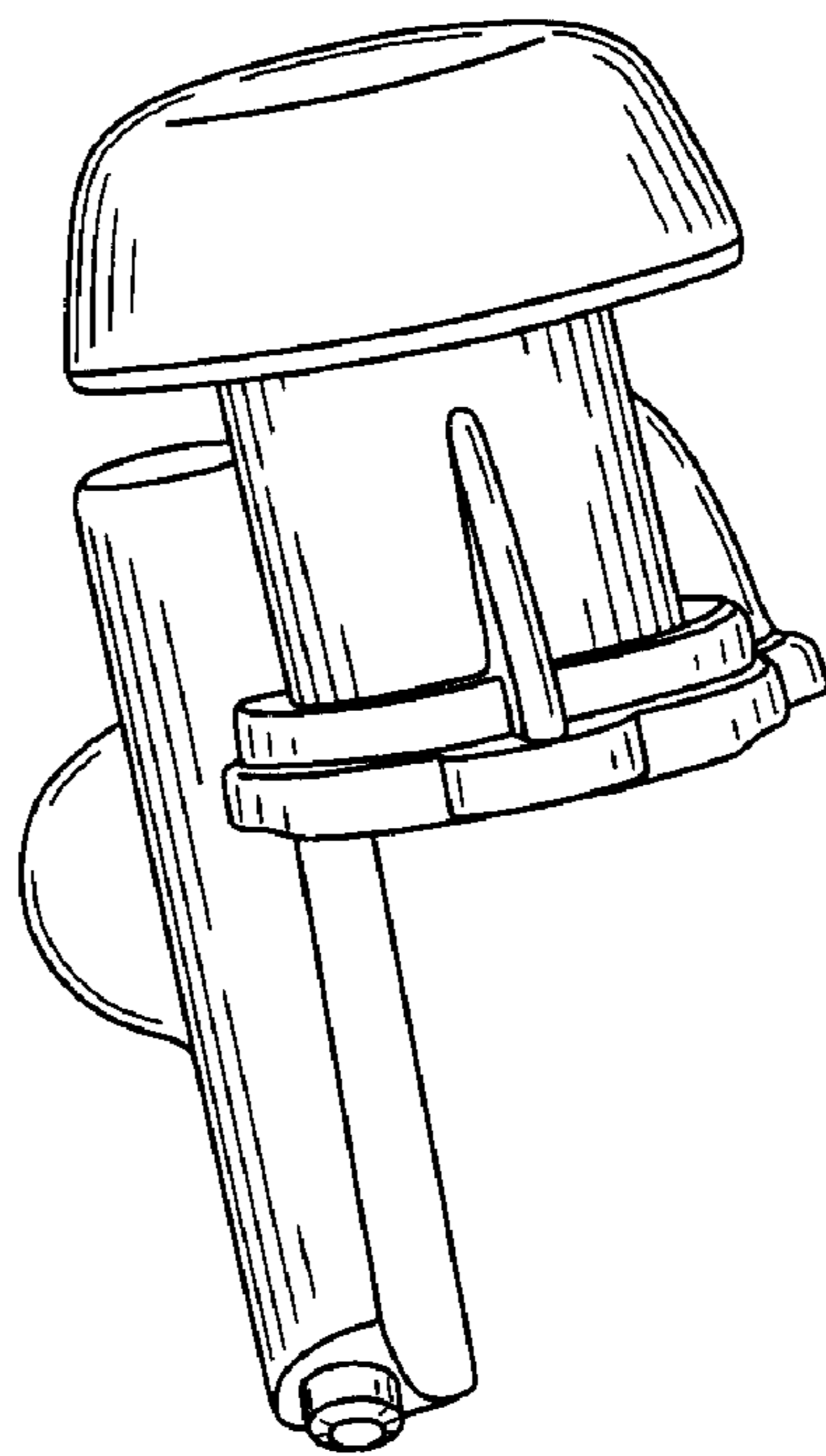


Fig. 1

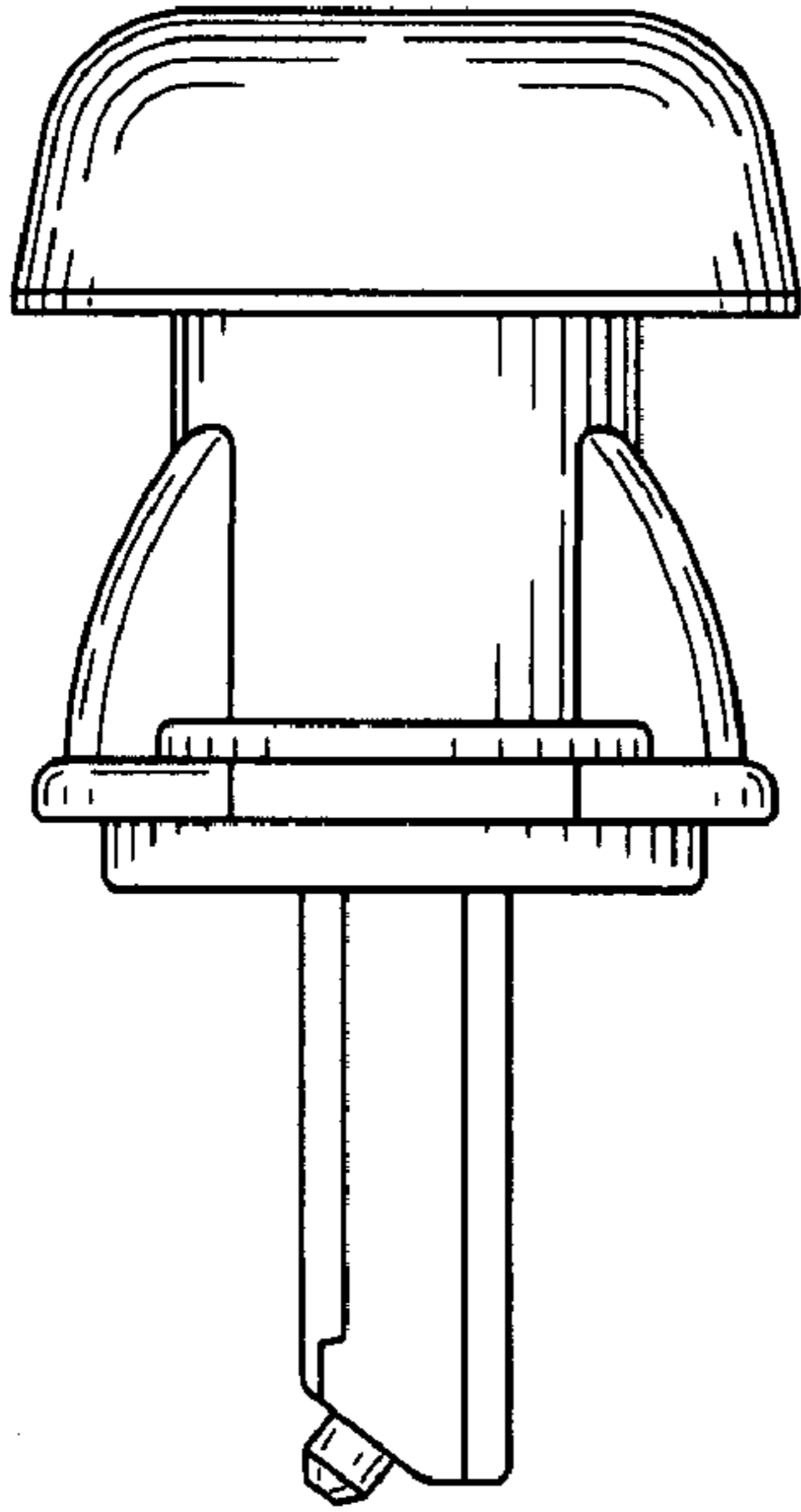


Fig. 2

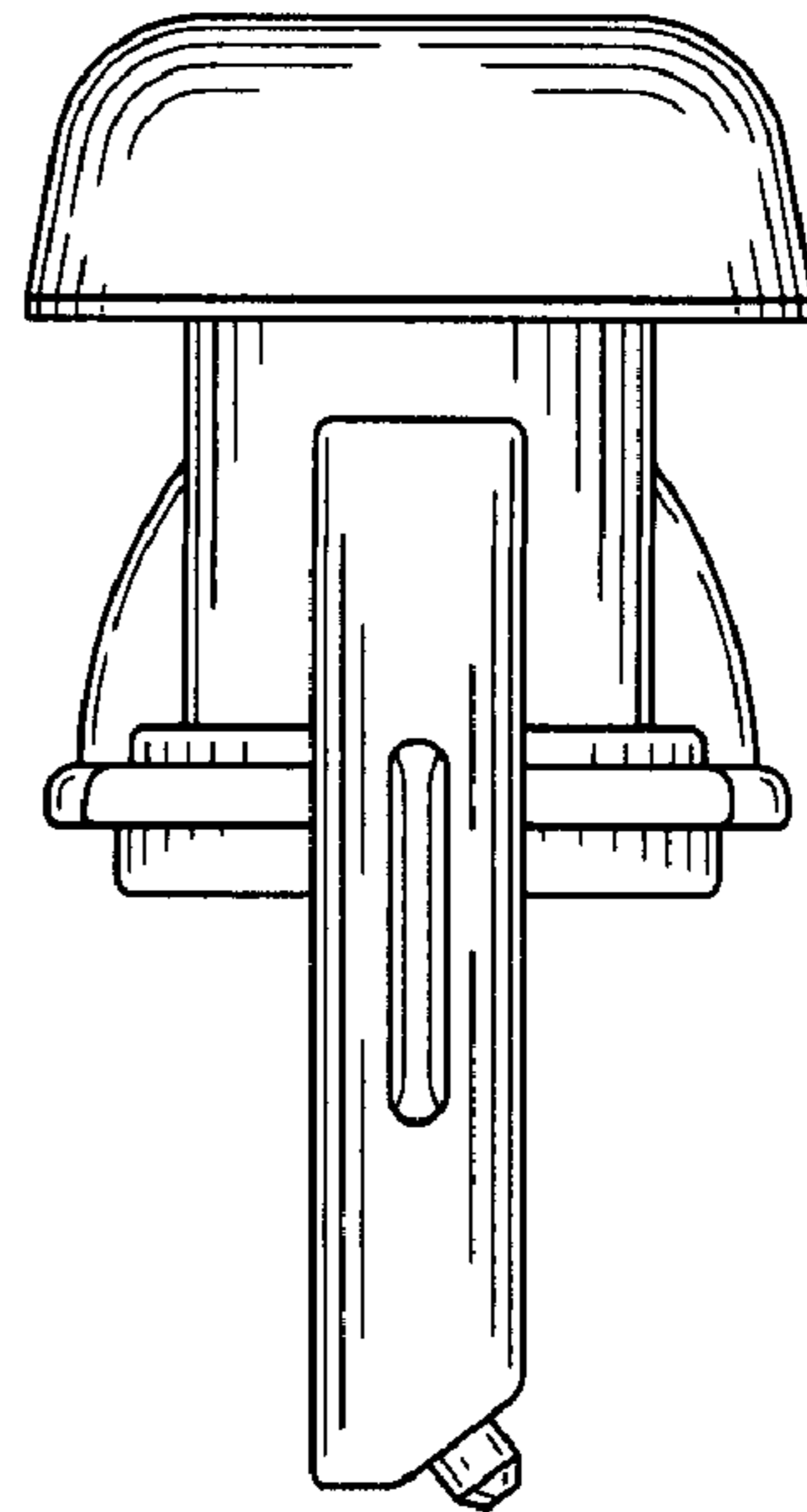


Fig. 3

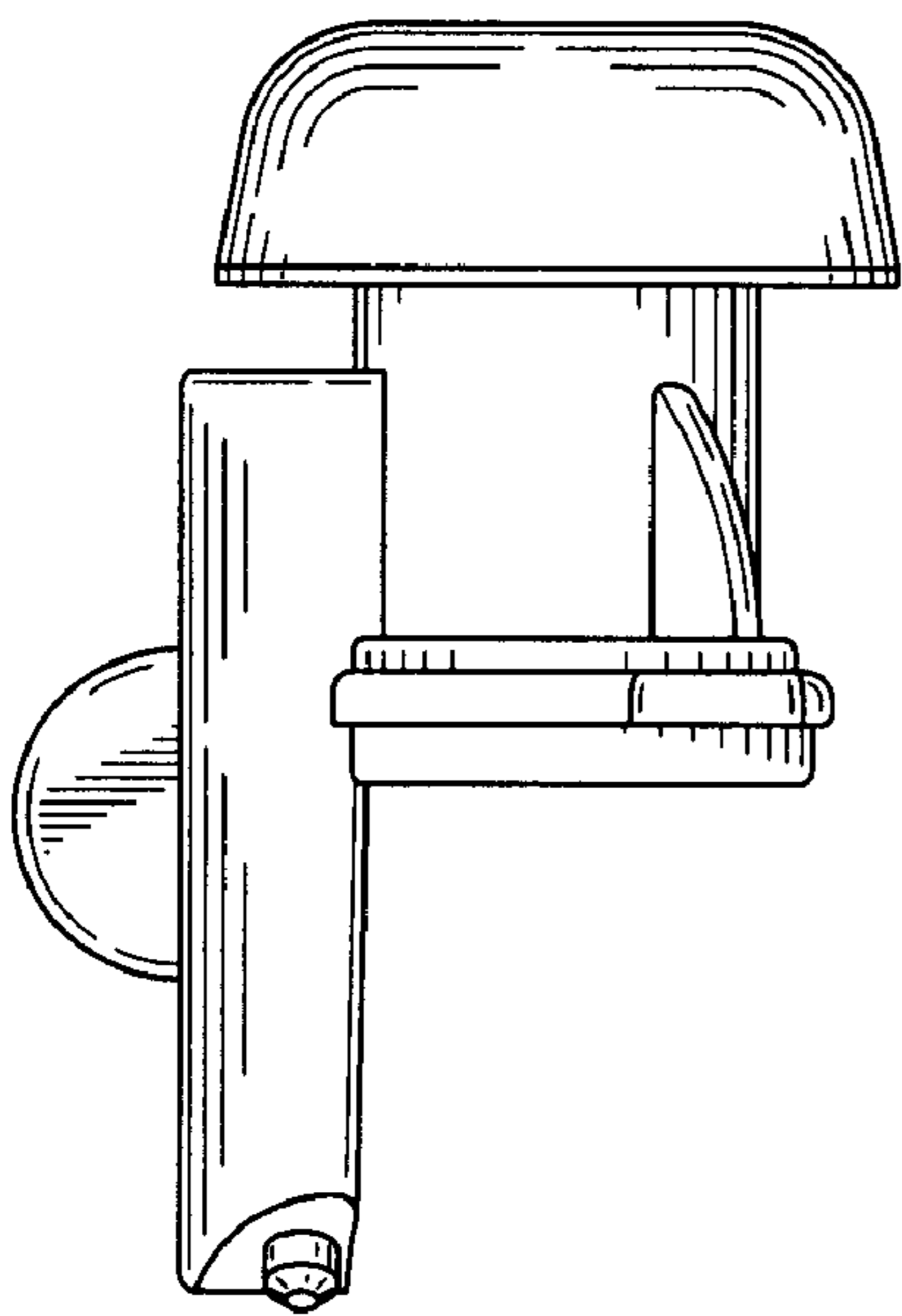


Fig. 4

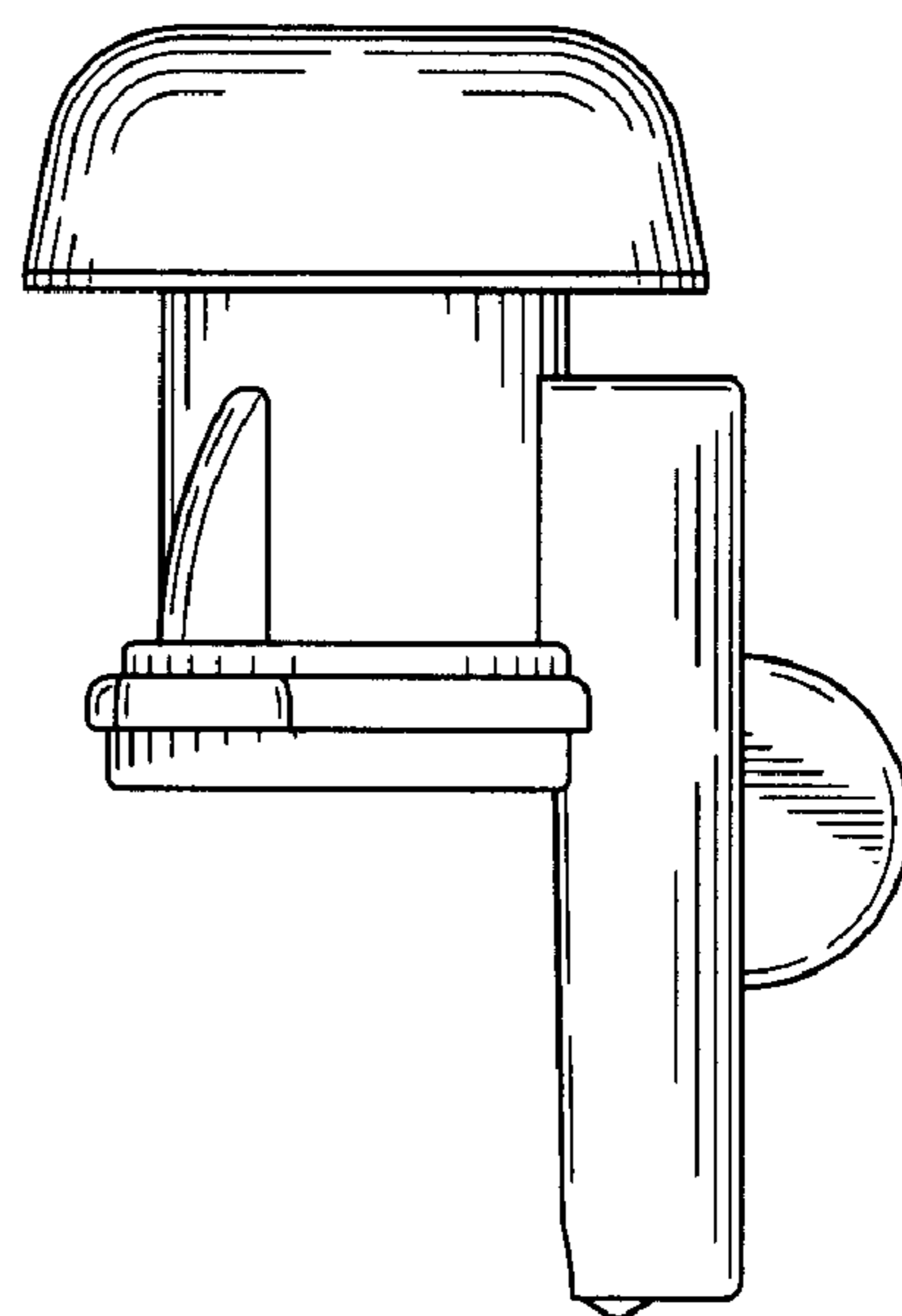


Fig. 5

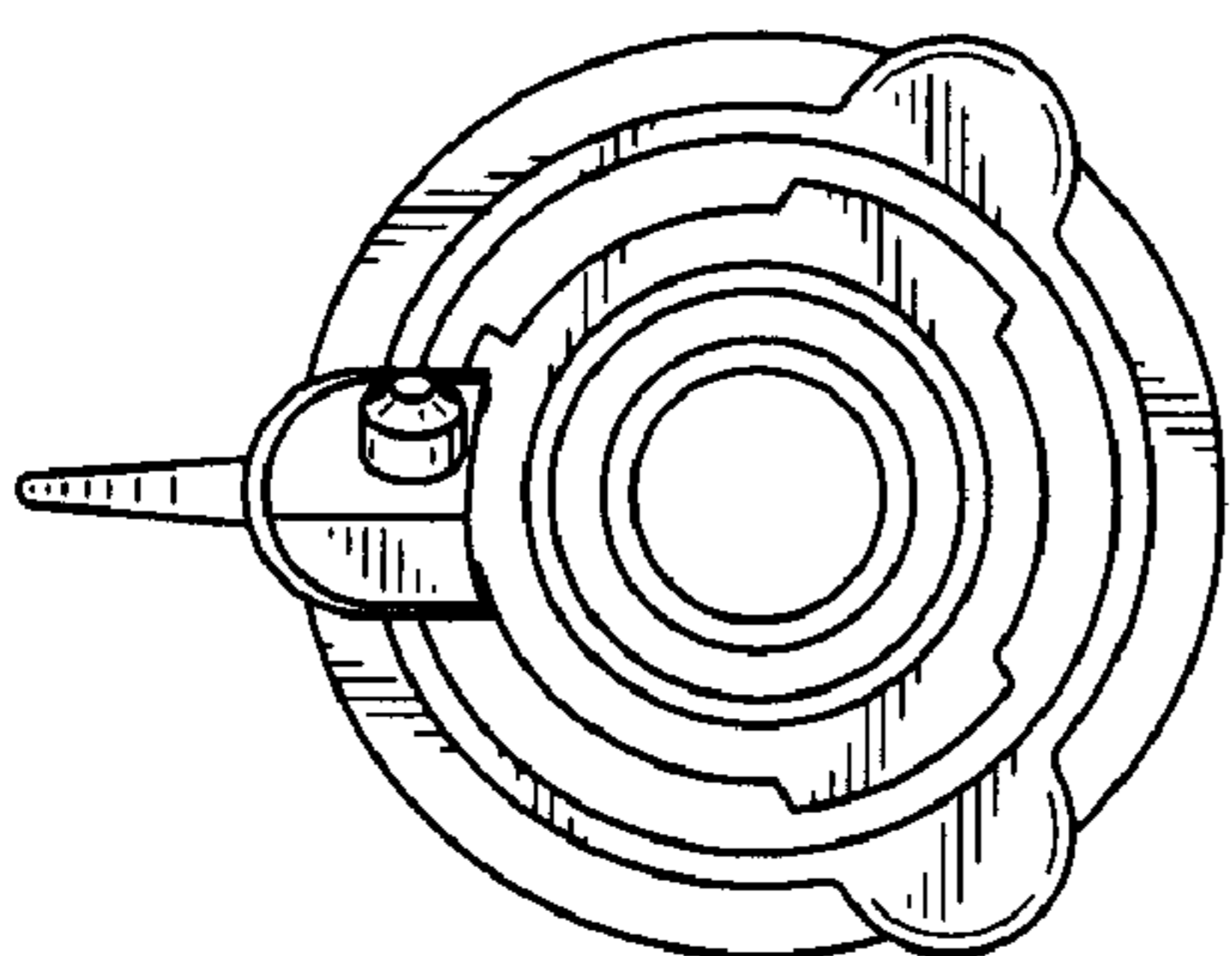


Fig. 6

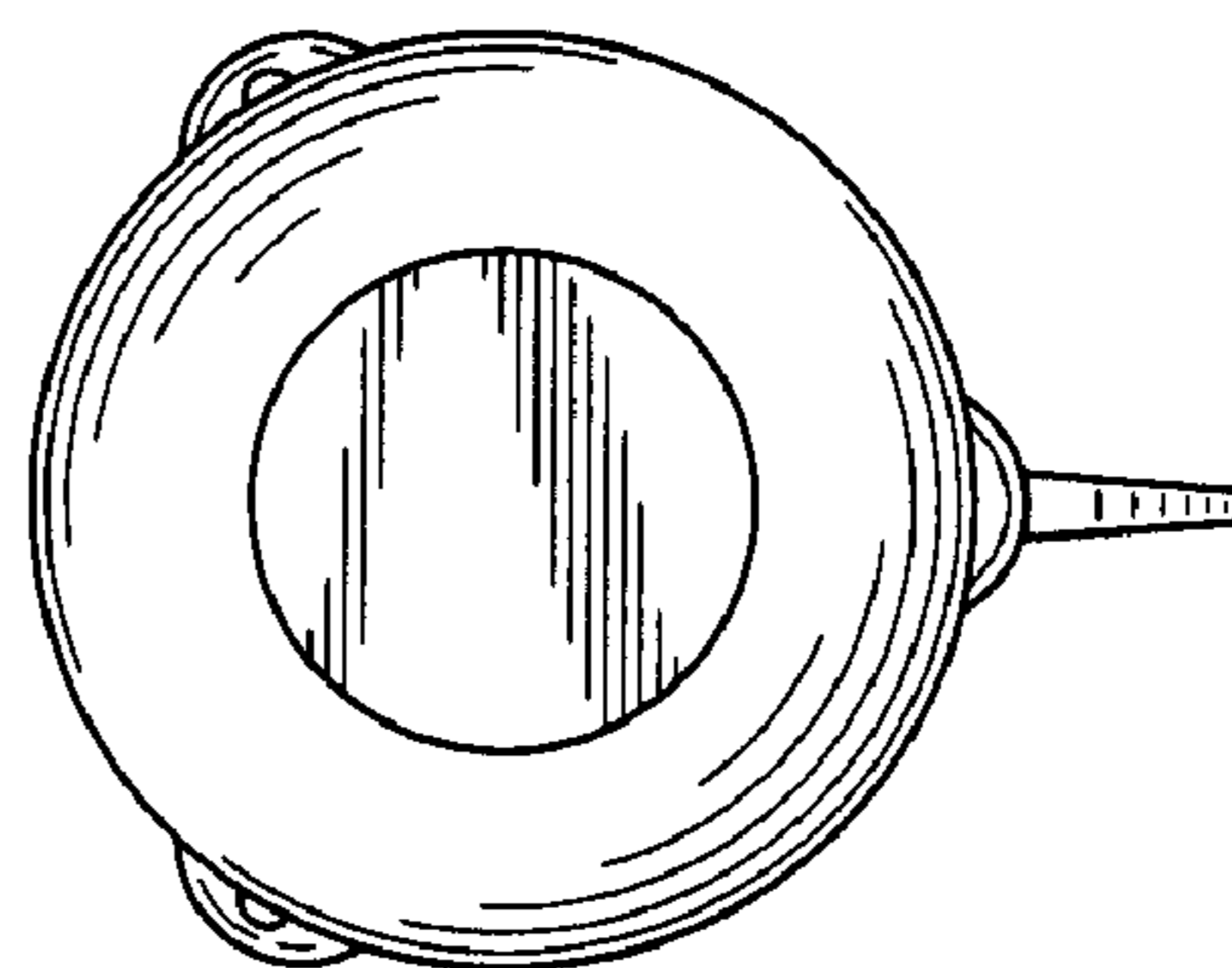


Fig. 7

