

US00D547114S

(12) **United States Design Patent**
Backaert et al.

(10) **Patent No.:** **US D547,114 S**

(45) **Date of Patent:** **** Jul. 24, 2007**

(54) **CONTAINER LID**

(75) Inventors: **Dimitri M. C. J. Backaert**, Moorsel (BE); **Hanno Kortleven**, Nieuwerkerken (BE)

(73) Assignee: **Dart Industries Inc.**, Orlando, FL (US)

(**) Term: **14 Years**

(21) Appl. No.: **29/263,817**

(22) Filed: **Jul. 31, 2006**

(51) **LOC (8) Cl.** **07-02**

(52) **U.S. Cl.** **D7/392**

(58) **Field of Classification Search** D7/316-319, D7/391-392.1, 396.2, 510-511, 538, 540-542, D7/629; D9/435, 440, 444, 447, 449-450, D9/454, 503-504; 215/211, 200, 224; 220/700, 220/701, 703, 711, 713-715, 719
See application file for complete search history.

(56) **References Cited**

U.S. PATENT DOCUMENTS

D160,649 S	10/1950	Muller-Munk
D226,576 S	3/1973	Swett et al.
D285,766 S	9/1986	Zieff
D302,795 S	8/1989	Finger et al.
D310,464 S	9/1990	Laib
D399,705 S	10/1998	Bovard et al.

D419,368 S *	1/2000	Geelen et al.	D7/391
D432,857 S *	10/2000	Ming-Shiue	D7/392.1
D435,398 S	12/2000	Arduini		
D459,630 S	7/2002	Arduini		
D465,128 S *	11/2002	Au	D7/391
D515,865 S *	2/2006	Kim	D7/392.1
D516,375 S *	3/2006	Cioeta et al.	D7/391

* cited by examiner

Primary Examiner—Holly H. Baynham

Assistant Examiner—Cynthia M. Chin

(74) *Attorney, Agent, or Firm*—John A. Doninger

(57) **CLAIM**

The ornamental design for a container lid, as shown and described.

DESCRIPTION

FIG. 1 is a top perspective view of the container lid showing my new design;

FIG. 2 is a side elevation view thereof; the opposite side being a mirror image thereof;

FIG. 3 is a top plan view thereof;

FIG. 4 is a side elevation view thereof perpendicular to FIG. 2; the opposite side being a mirror image thereof;

FIG. 5 is a bottom plan view thereof; and,

FIG. 6 is a bottom perspective view thereof.

1 Claim, 3 Drawing Sheets

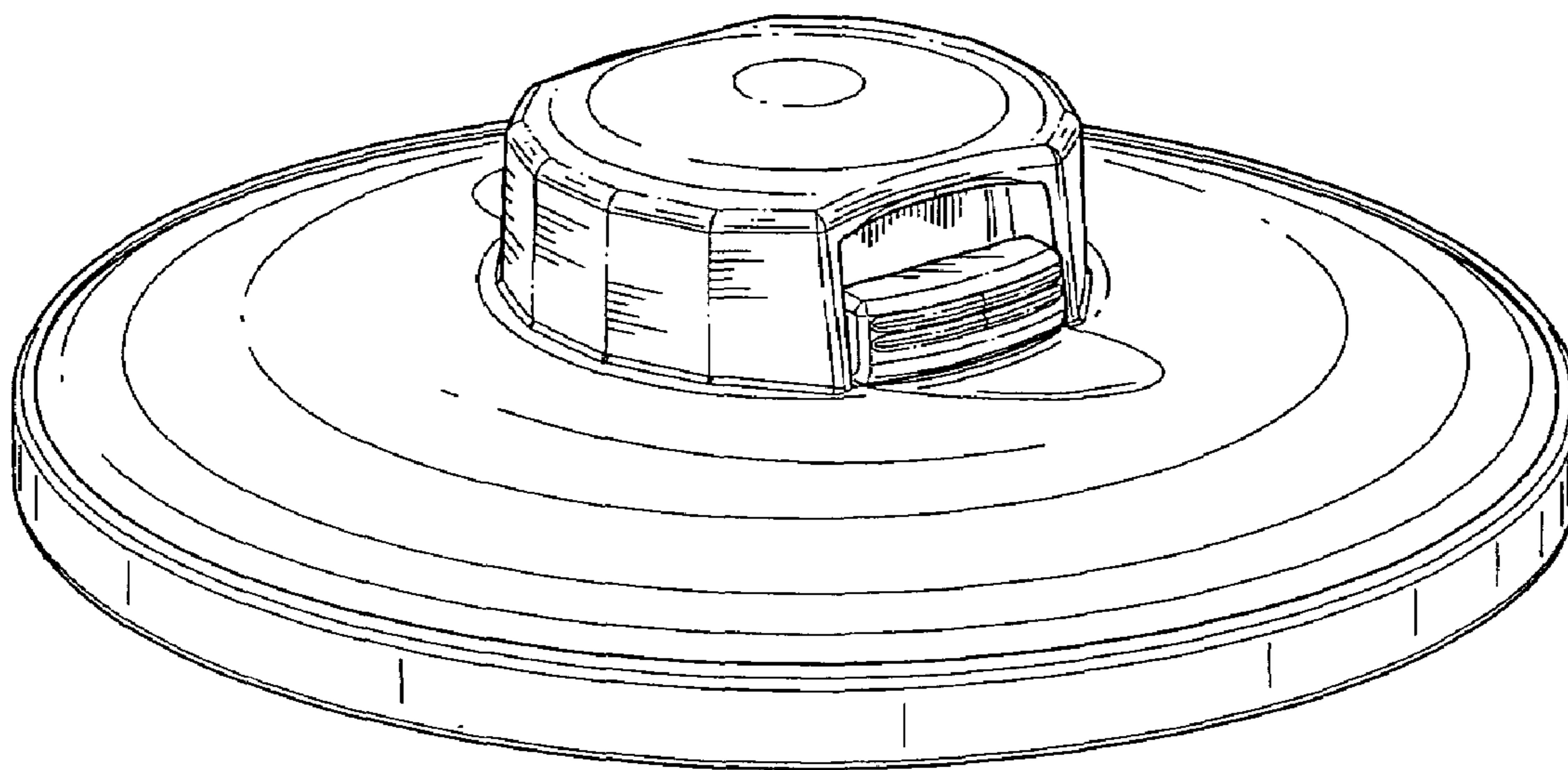


FIG. 1

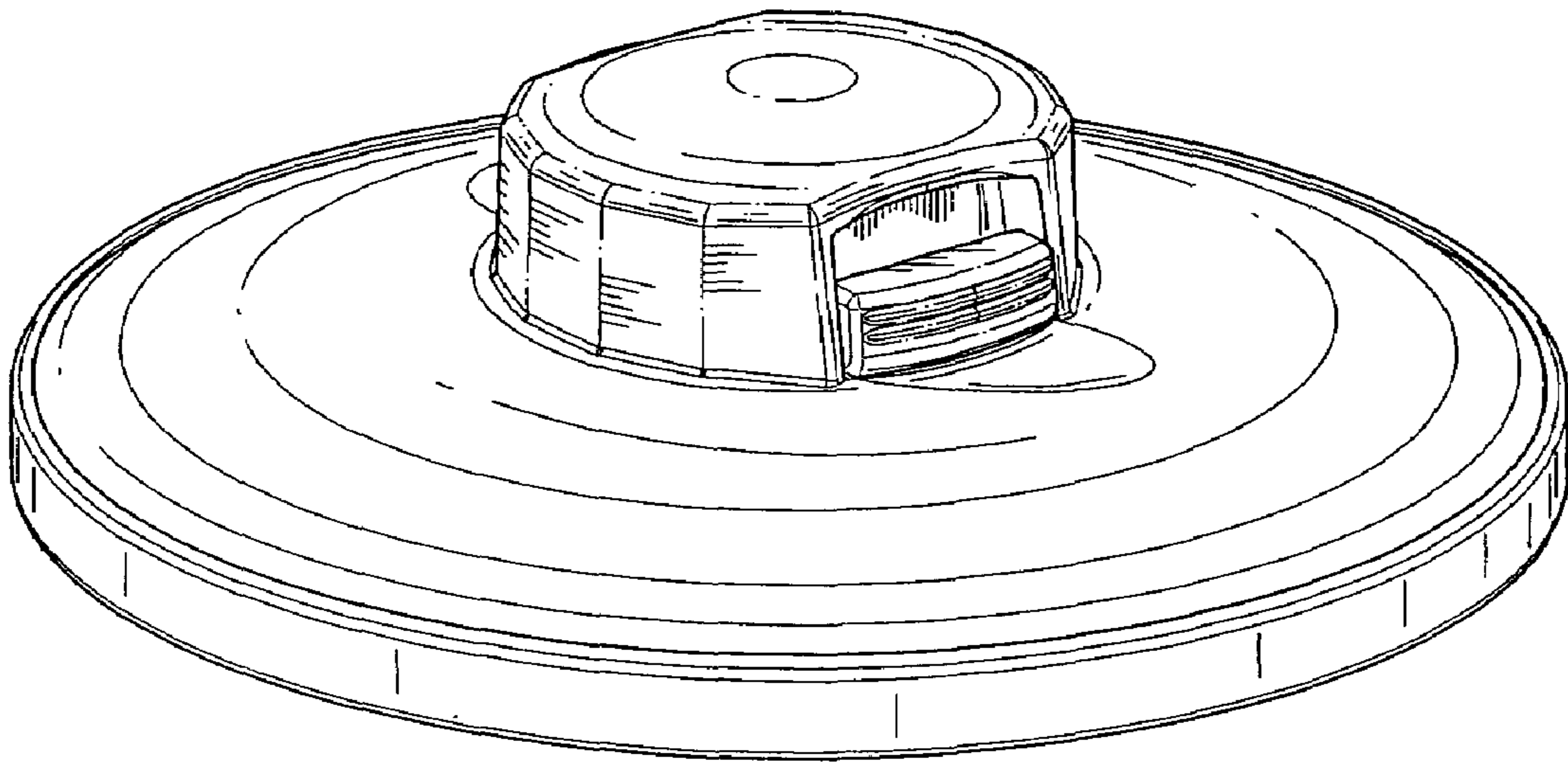


FIG. 2

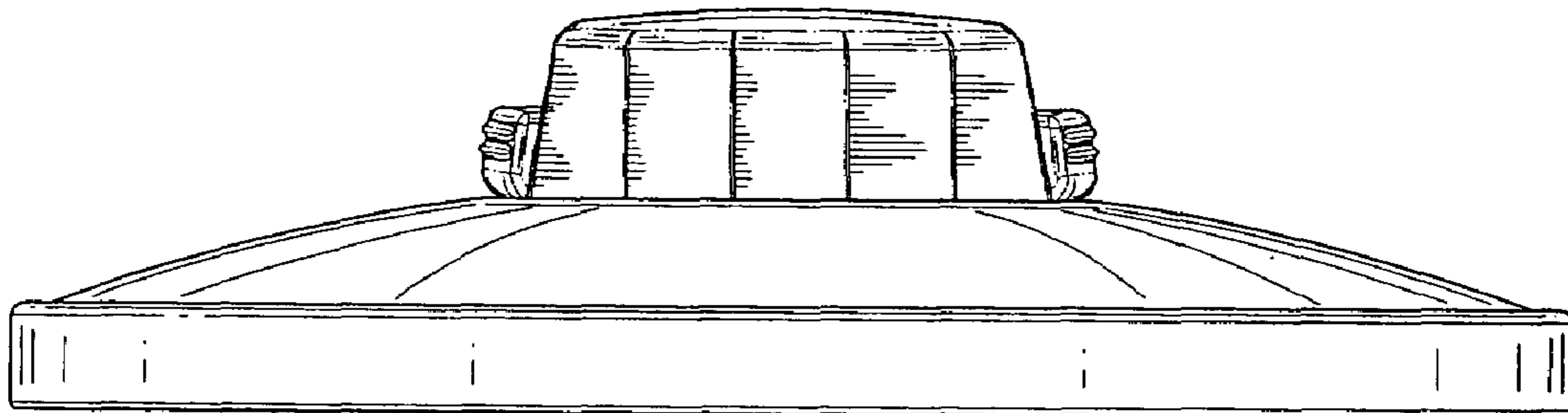


FIG. 3

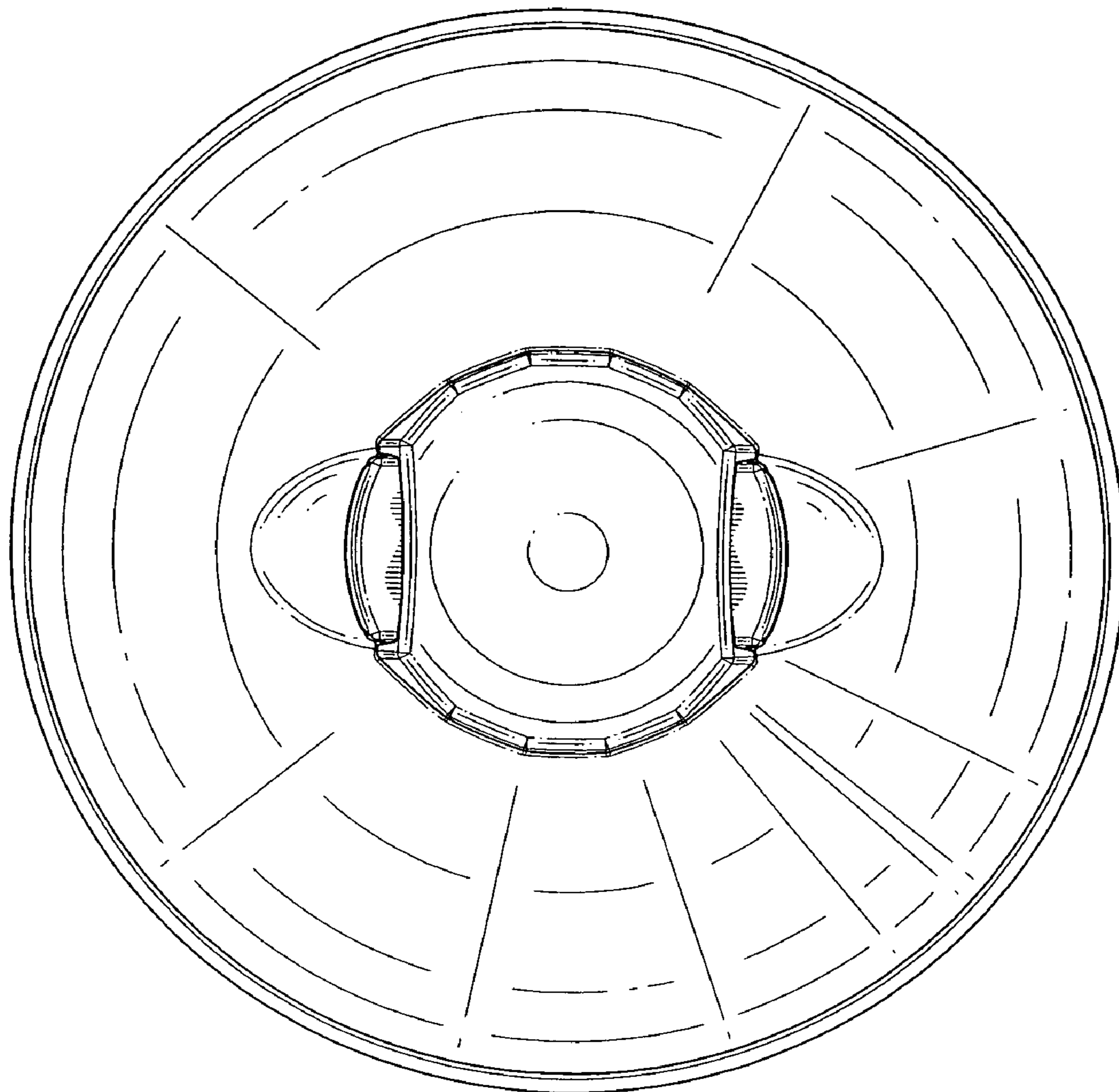


FIG. 4

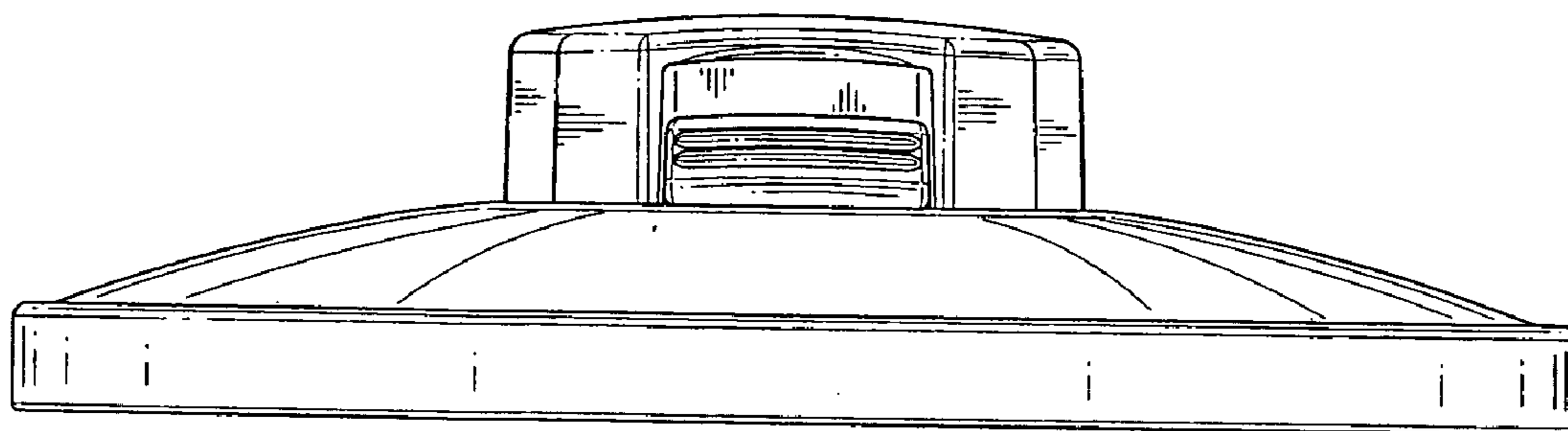


FIG. 5

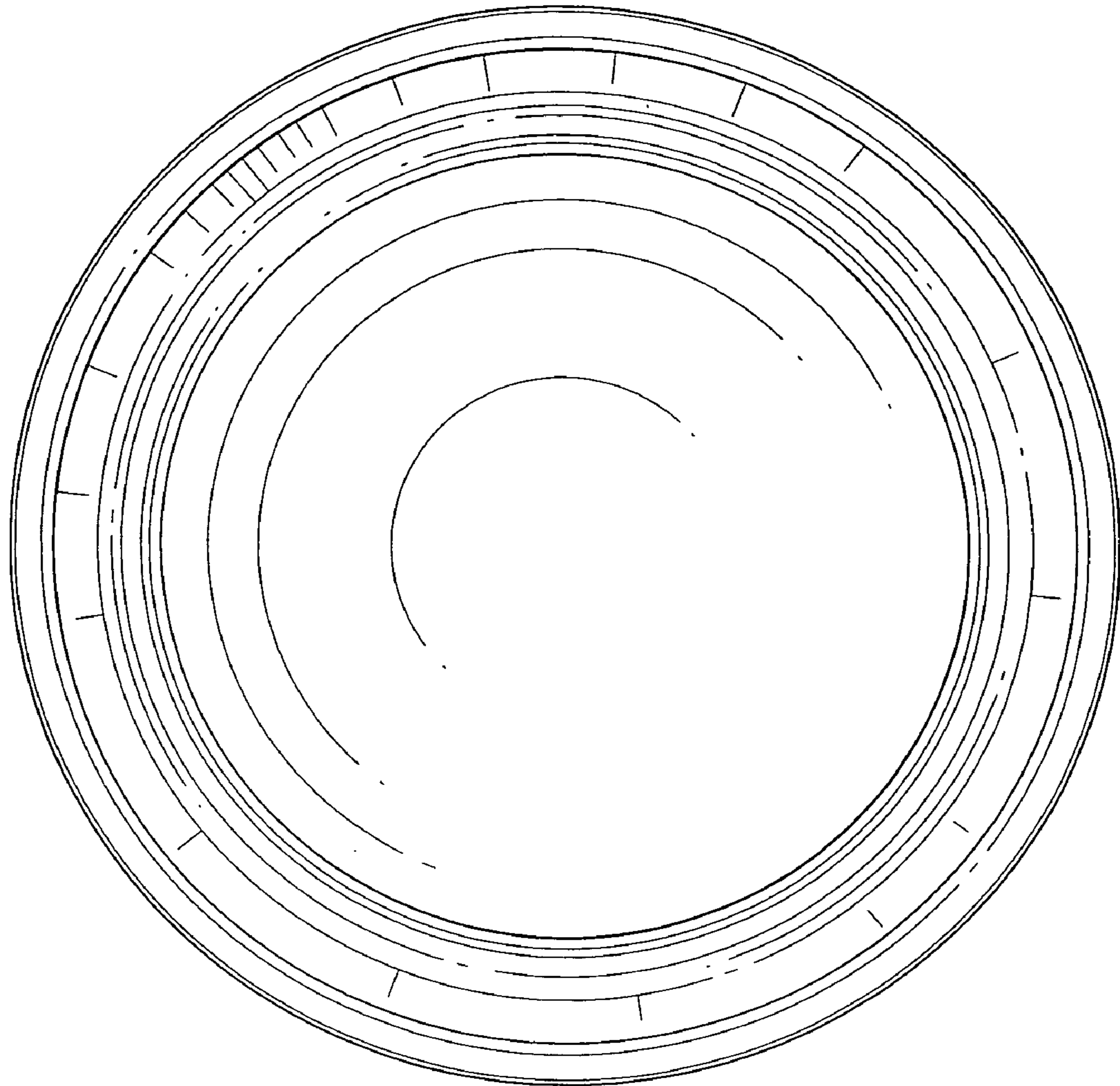


FIG. 6

