



US00D547113S

(12) **United States Design Patent** (10) **Patent No.:** **US D547,113 S**
Pan et al. (45) **Date of Patent:** **** Jul. 24, 2007**

(54) **SWIVEL LUG IN A FOOD WASTE DISPOSAL UNIT**

2004/0173697 A1 9/2004 Berger et al. 241/46.013

FOREIGN PATENT DOCUMENTS

(75) Inventors: **Ji Cheng Pan**, Tai Po (HK); **Israr Saeed**, Tai Po (HK)

GB 920164 3/1963

* cited by examiner

(73) Assignee: **Johnson Electric S.A.**, La Chaux-de-Fonds (CH)

Primary Examiner—Catherine R. Oliver
(74) *Attorney, Agent, or Firm*—Young & Thompson

(**) Term: **14 Years**

(57) **CLAIM**

(21) Appl. No.: **29/261,724**

The ornamental design for a swivel lug in a food waste disposal unit, as shown.

(22) Filed: **Jun. 20, 2006**

(51) **LOC (8) Cl.** **31-00**

DESCRIPTION

(52) **U.S. Cl.** **D7/375**

FIG. 1 is a front elevational view showing my new design of a swivel lug in a food waste disposal unit;

(58) **Field of Classification Search** D7/375,

FIG. 2 is a rear elevational view thereof;

D7/414; 241/46.014, 46.016, 46 A, 46.08, 241/46.013; 81/176.1

FIG. 3 is a top plan view thereof;

See application file for complete search history.

FIG. 4 is a bottom plan view thereof;

(56) **References Cited**

FIG. 5 is a left side elevational view thereof;

U.S. PATENT DOCUMENTS

FIG. 6 is a right side elevational view thereof;

2,630,918 A * 3/1953 Janows 241/46.016

FIG. 7 is a perspective view from above thereof; and,

6,007,006 A 12/1999 Engel et al. 241/46.014

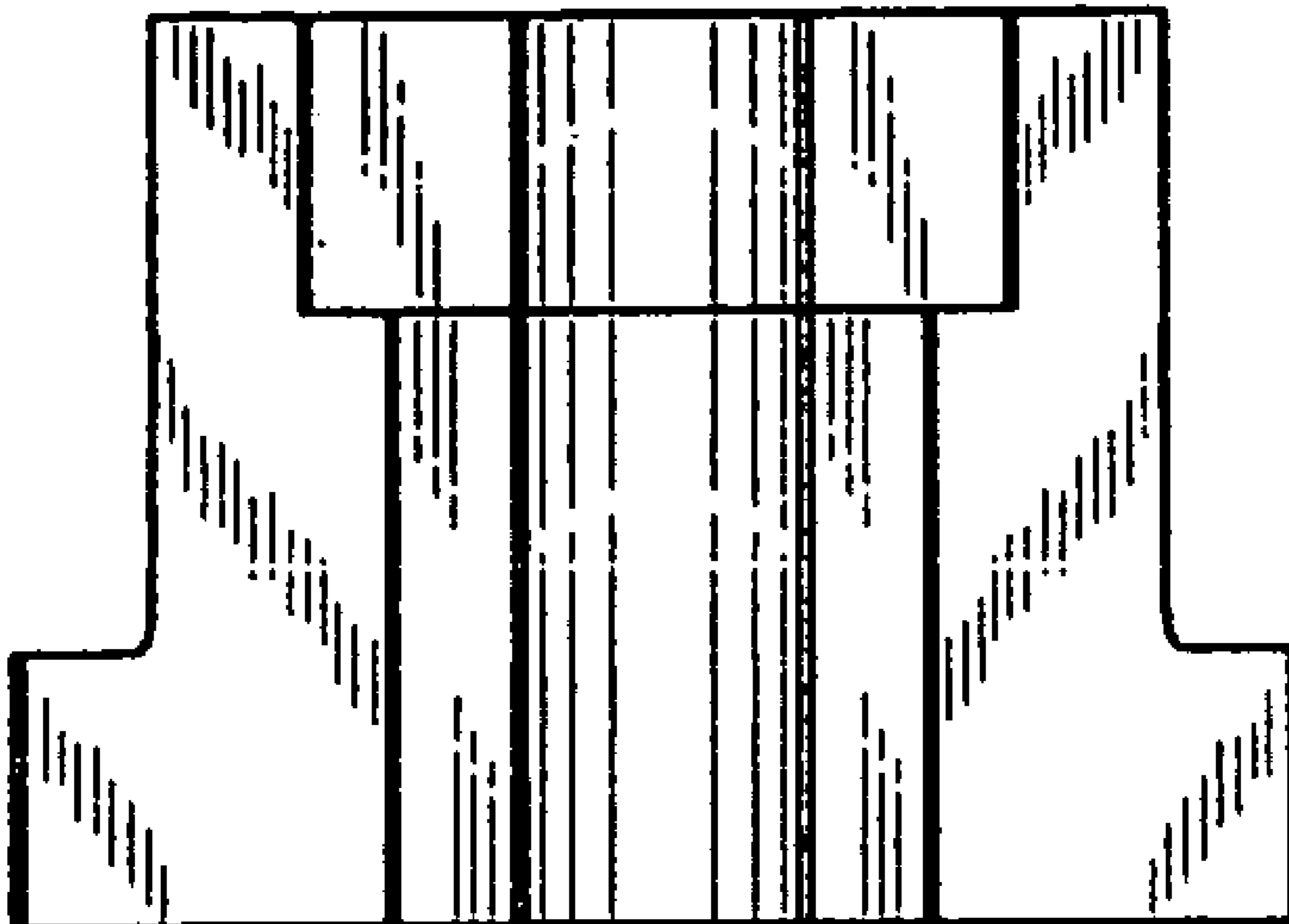
FIG. 8 is a perspective view from below thereof.

D436,496 S * 1/2001 Anderson et al. D7/375

1 Claim, 4 Drawing Sheets

6,439,487 B1 8/2002 Anderson et al. 241/46.013

6,481,652 B2 11/2002 Strutz et al. 241/46.013



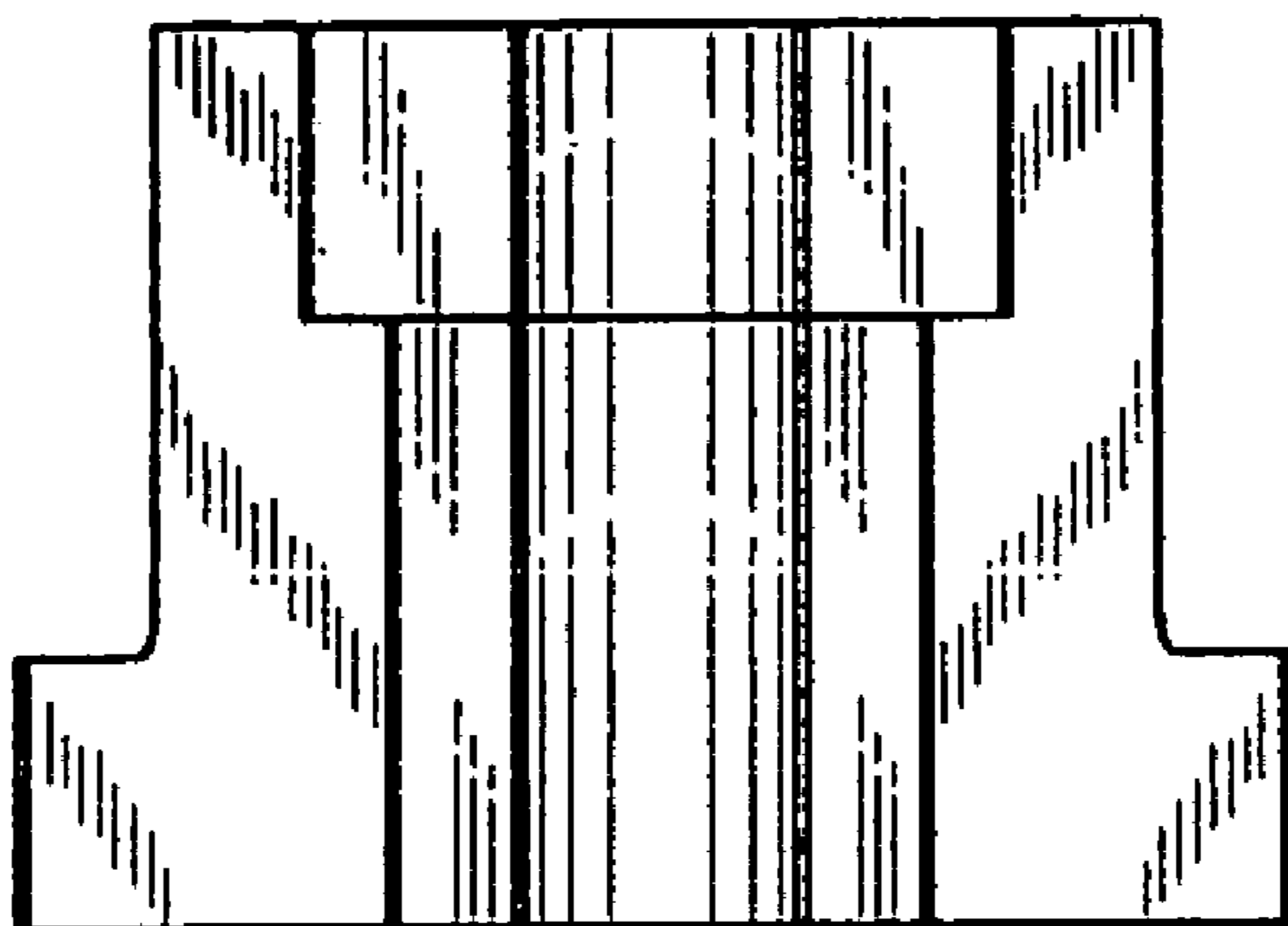


FIG. 1

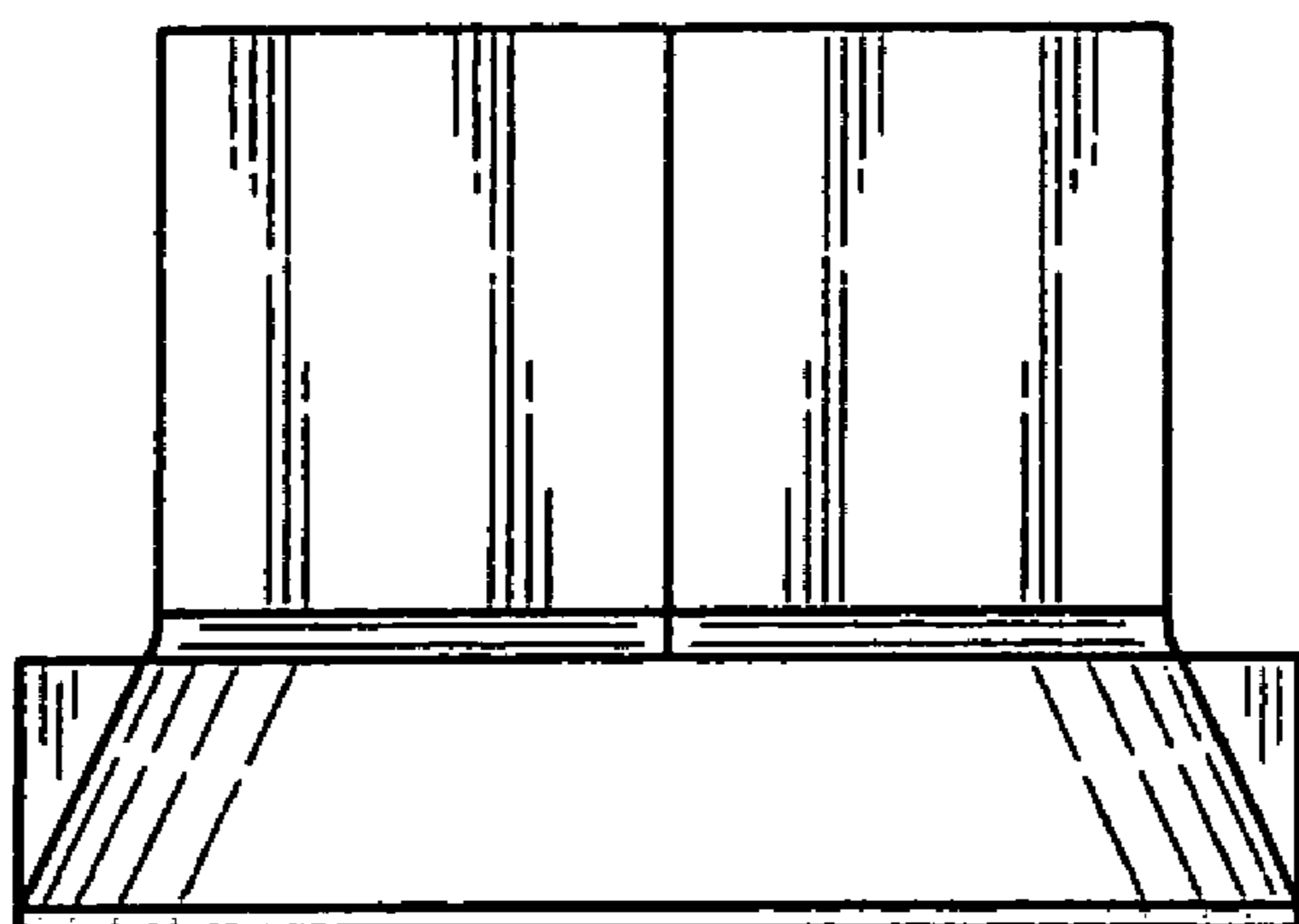


FIG. 2

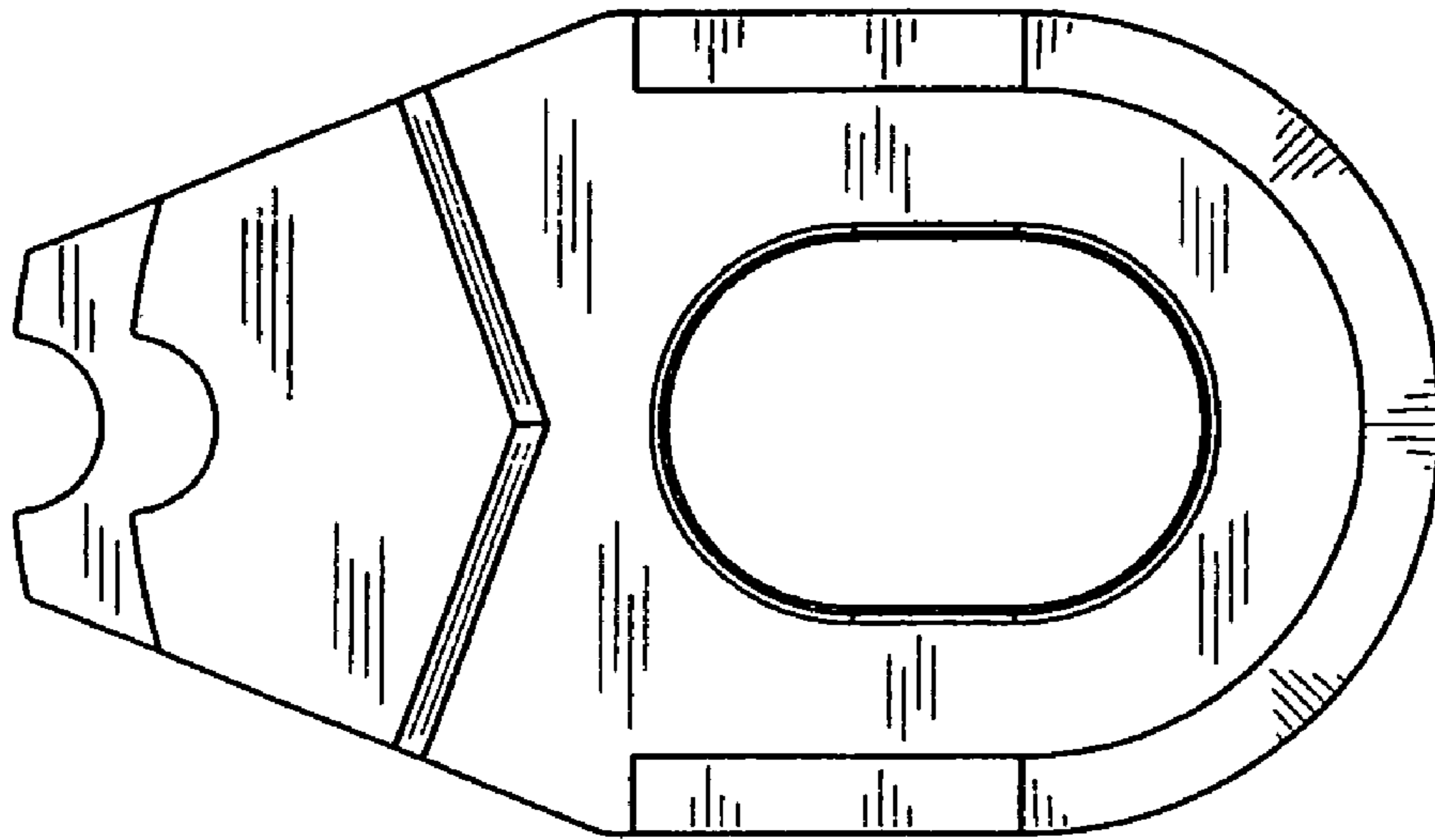


FIG. 3

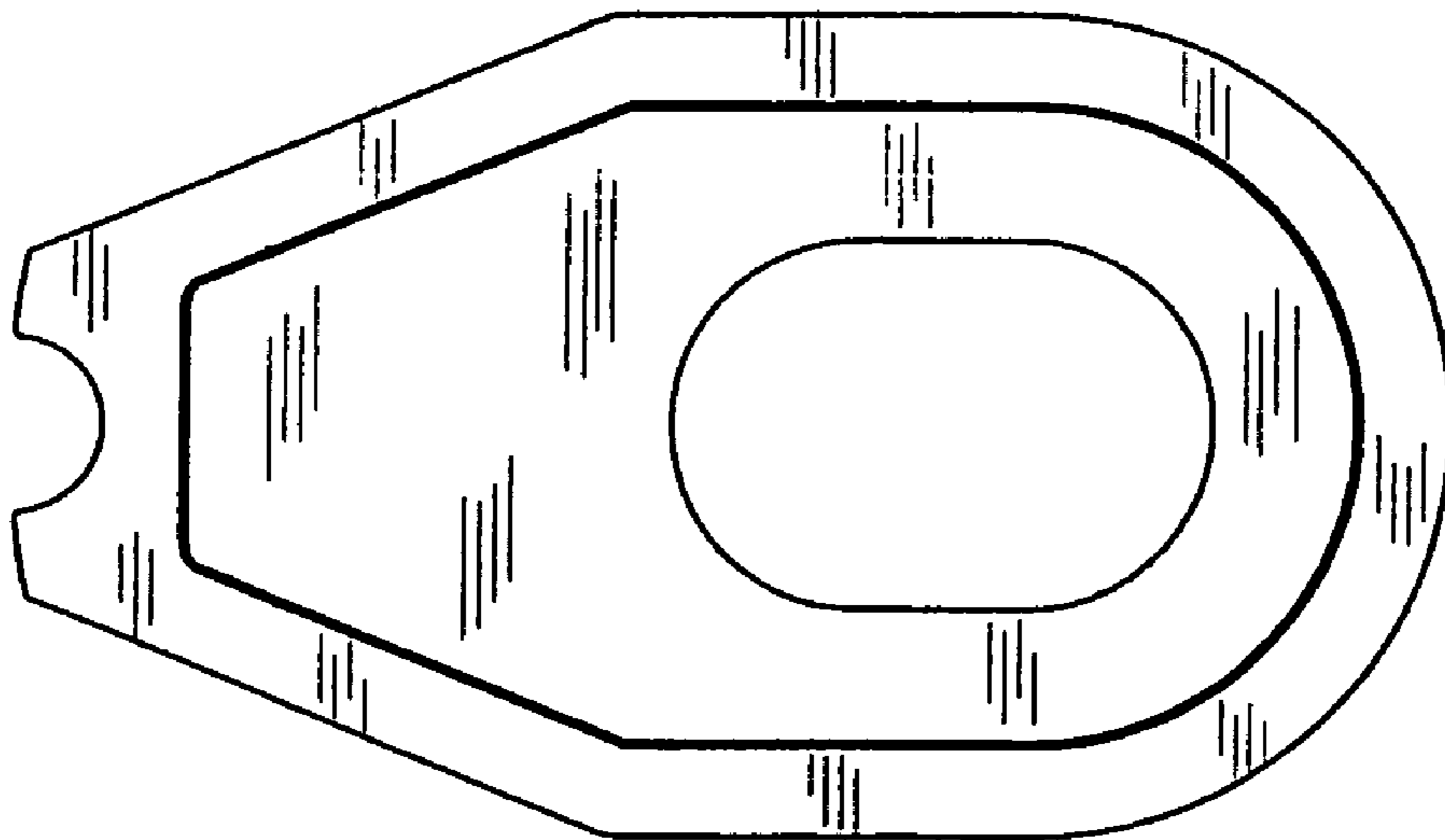


FIG. 4

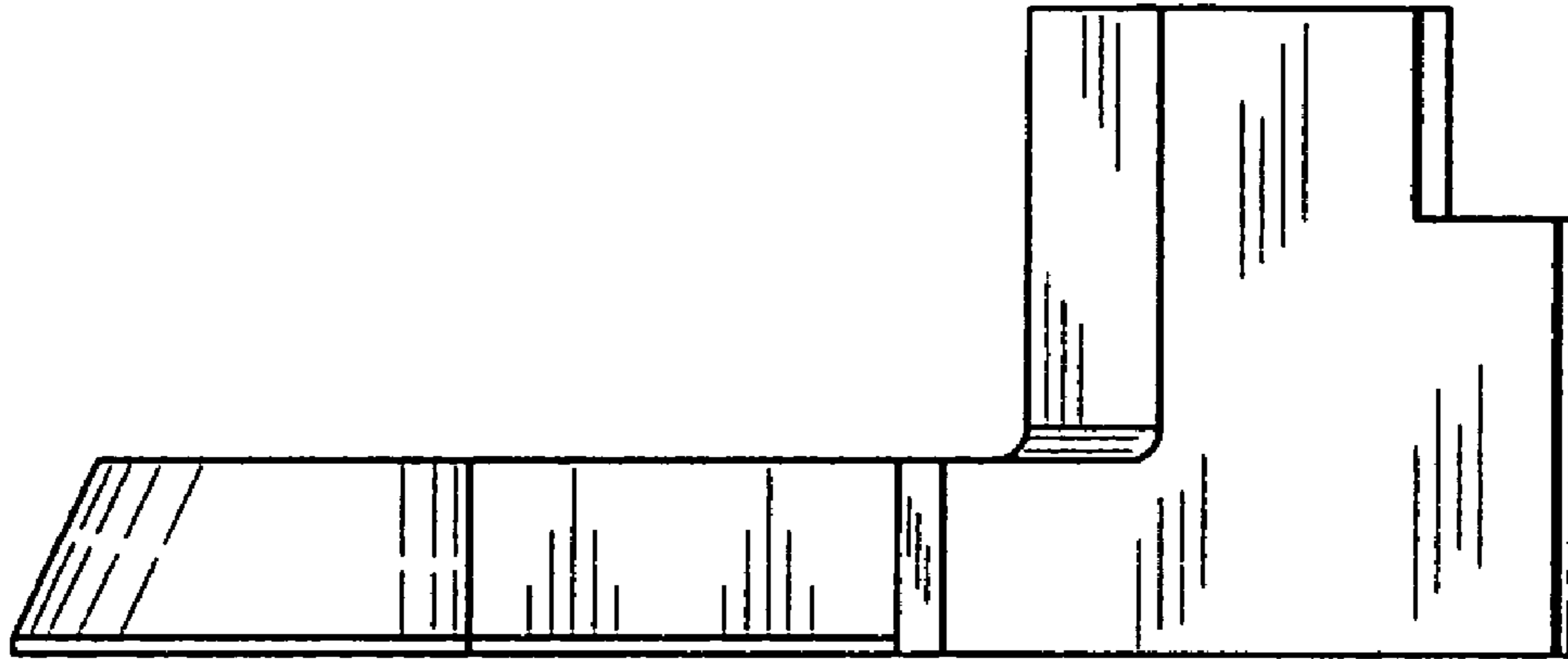


FIG. 5

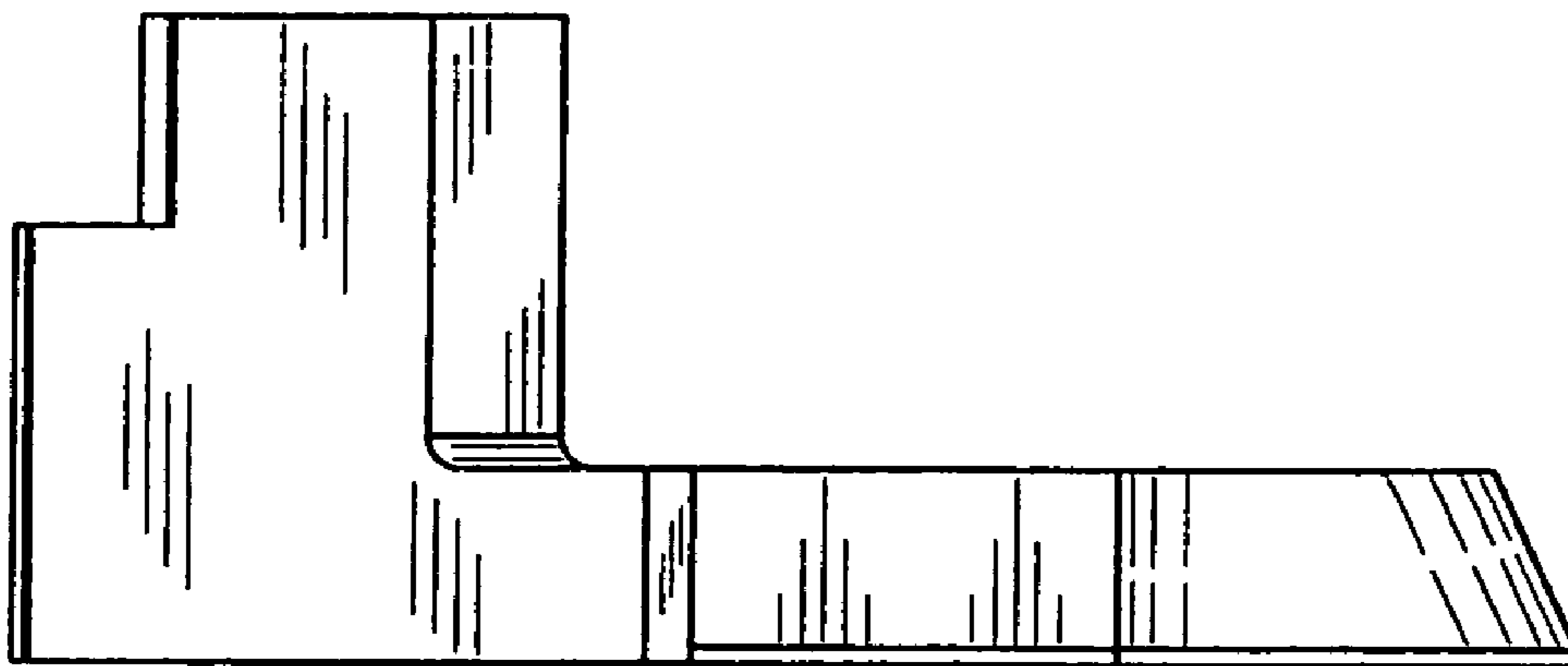


FIG. 6

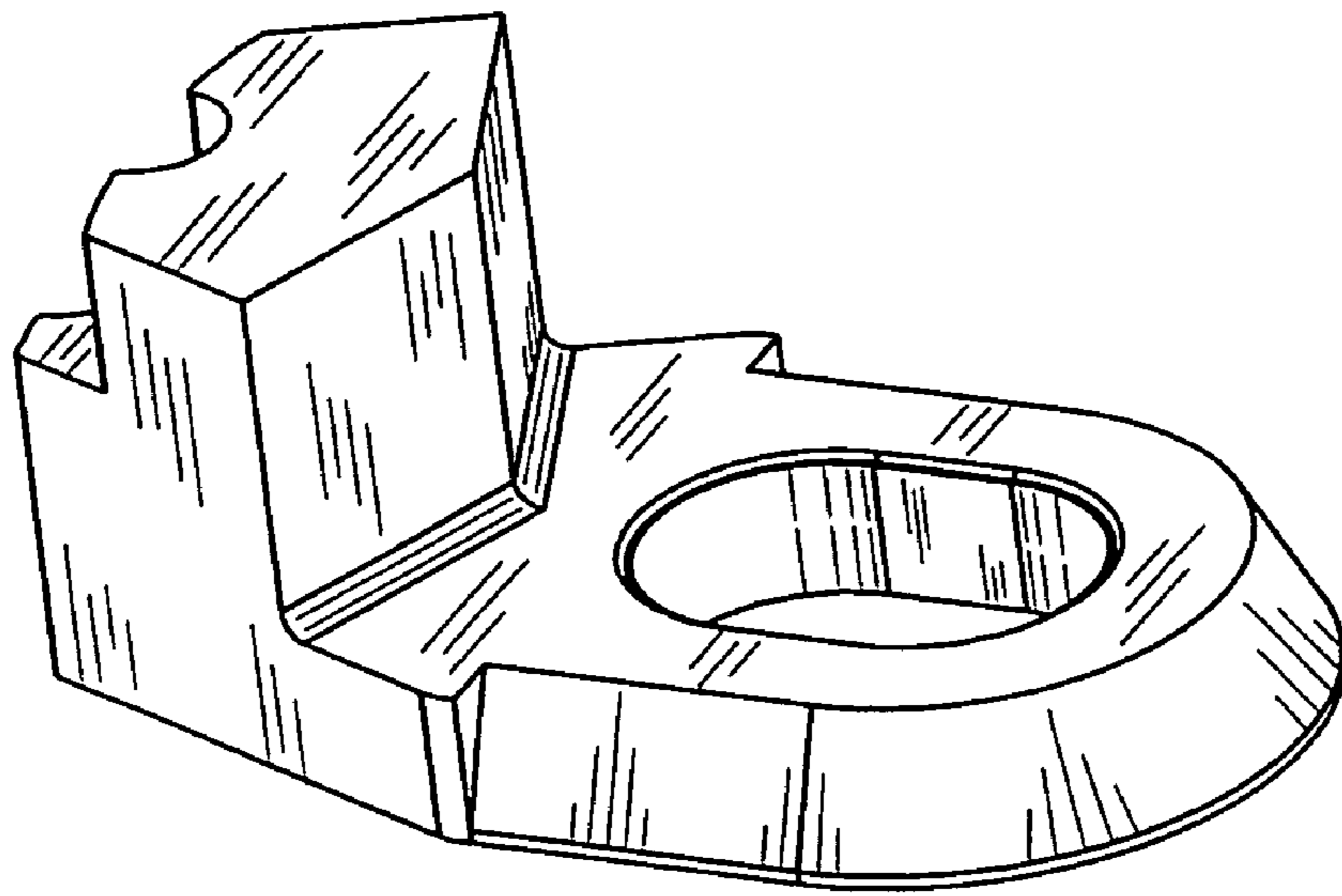


FIG. 7

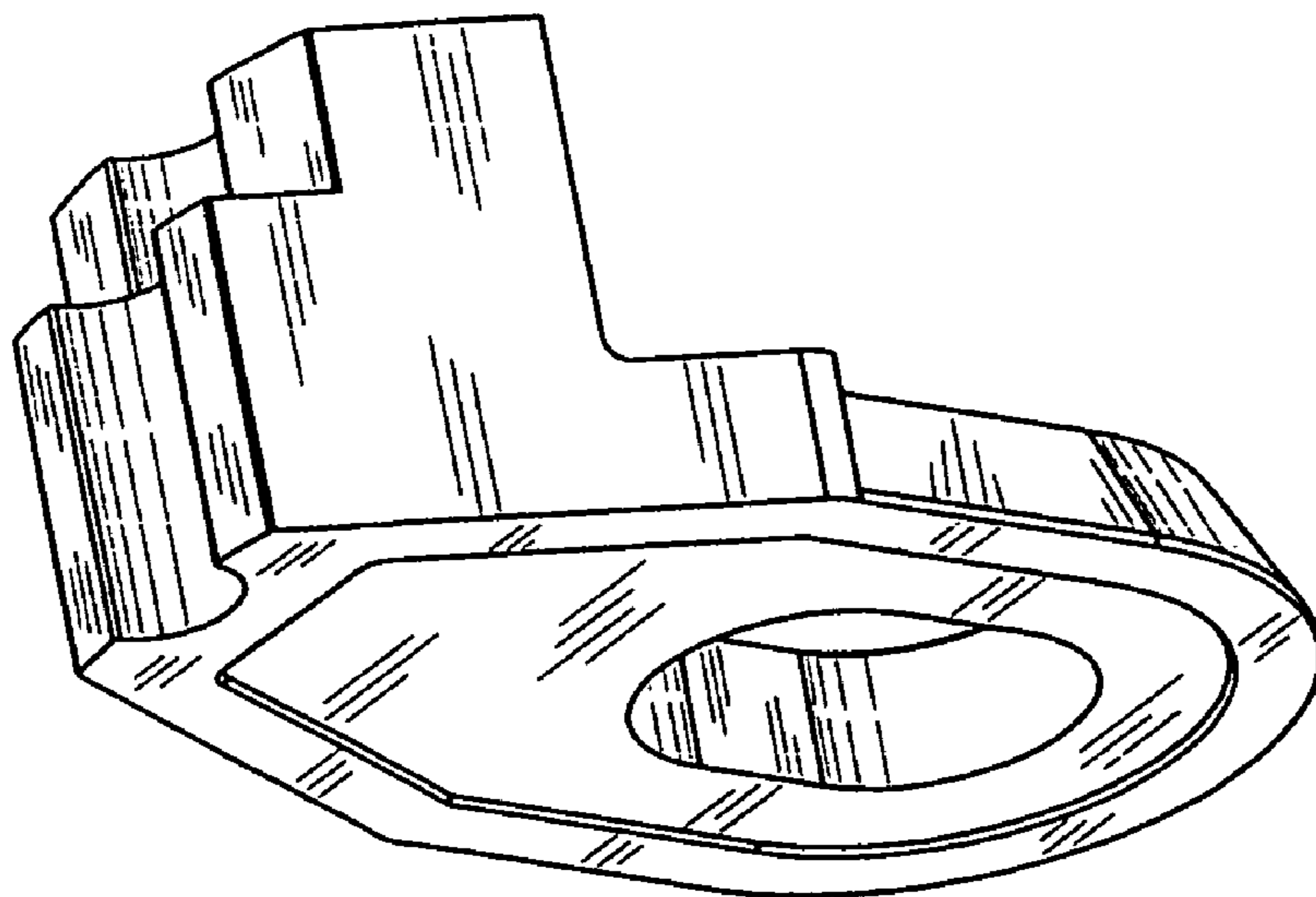


FIG. 8