

US00D547112S

(12) **United States Design Patent**  
**Bodum**

(10) **Patent No.:** **US D547,112 S**  
(45) **Date of Patent:** **\*\* Jul. 24, 2007**

(54) **FONDUE SET**

(75) Inventor: **Jørgen Bodum**, St. Niklausen (CH)

(73) Assignee: **Pi-Design AG**, Triengen (CH)

(\*\*) Term: **14 Years**

(21) Appl. No.: **29/241,123**

(22) Filed: **Oct. 24, 2005**

(30) **Foreign Application Priority Data**

Apr. 25, 2005 (DK) ..... DA 2005 00125

(51) **LOC (8) Cl.** ..... **07-02**

(52) **U.S. Cl.** ..... **D7/355**

(58) **Field of Classification Search** ..... D7/323,  
D7/332-337, 354-361, 366, 402-404; 99/340,  
99/357, 403, 413, 419, 450, 481-482; 126/25 R,  
126/38, 37 A, 40

See application file for complete search history.

(56) **References Cited**

**U.S. PATENT DOCUMENTS**

3,038,402 A *	6/1962	Singer	.....	99/403
D318,975 S *	8/1991	Thurlow	.....	D7/355
D369,507 S *	5/1996	Tinius	.....	D7/355
D423,278 S *	4/2000	Briner	.....	D7/355
D433,272 S *	11/2000	Park	.....	D7/355
D447,665 S *	9/2001	Jorgensen	.....	D7/355
D448,237 S *	9/2001	Bodum	.....	D7/355
D488,343 S *	4/2004	Tse	.....	D7/355

**FOREIGN PATENT DOCUMENTS**

DE 10157044 A1 \* 11/2002

**OTHER PUBLICATIONS**

Crate & Barrel Entertaining, Fall 2001, Item E, Bodum Fondue Set.\*

\* cited by examiner

*Primary Examiner*—Cathron C. Brooks

*Assistant Examiner*—Ricky Pham

(74) *Attorney, Agent, or Firm*—Cowan, Liebowitz & Latman, PC

(57) **CLAIM**

The ornamental design for a fondue set, as shown and described.

**DESCRIPTION**

FIG. 1 is a perspective view of the fondue set showing my new design;

FIG. 2 is a front view thereof;

FIG. 3 is a rear view thereof;

FIG. 4 is a left side view thereof;

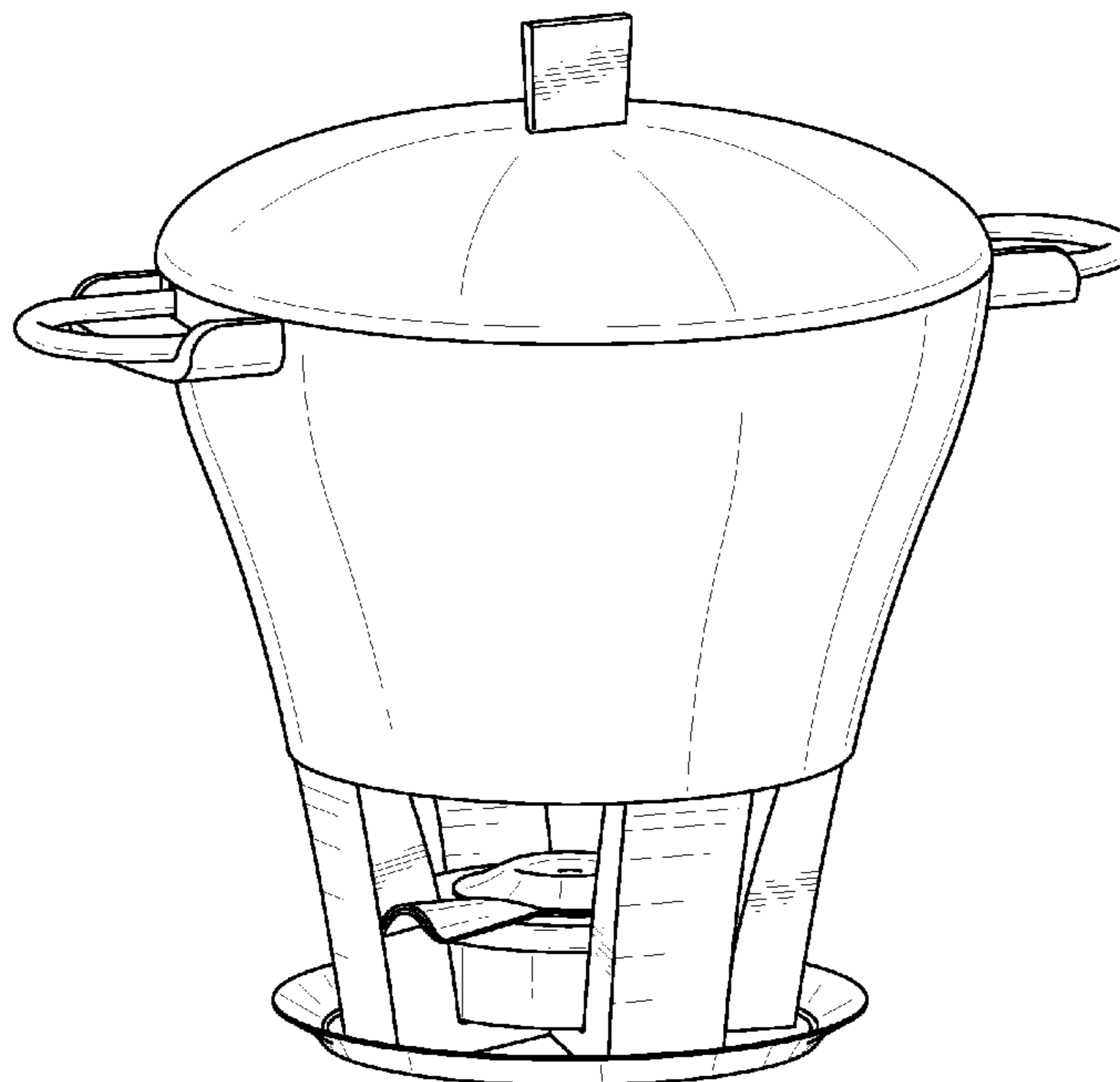
FIG. 5 is a right side view thereof;

FIG. 6 is a top view thereof;

FIG. 7 is a bottom view thereof; and,

FIG. 8 is a cross-sectional view taken through line 8—8 of FIG. 6.

**1 Claim, 8 Drawing Sheets**



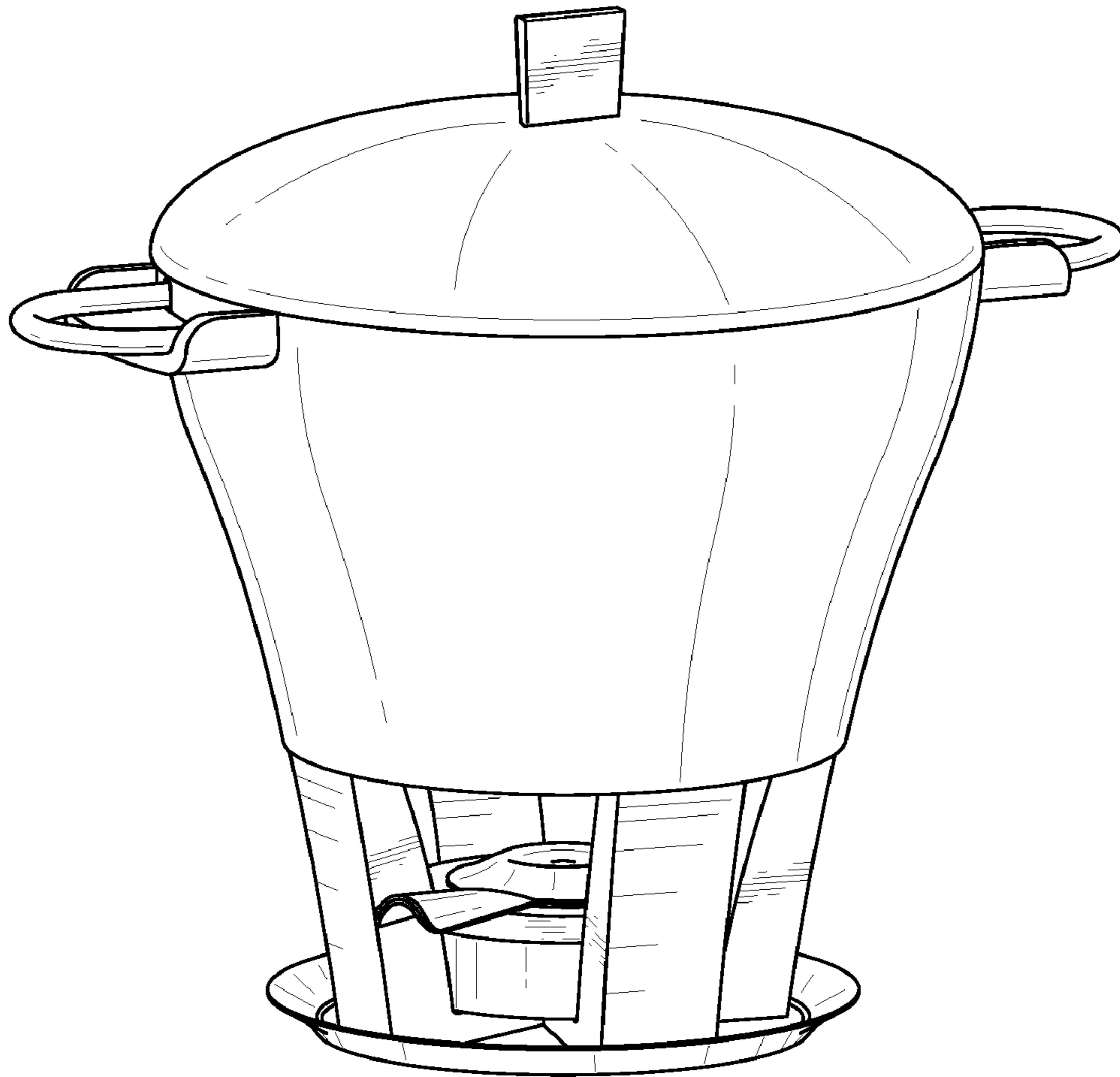


FIG. 1

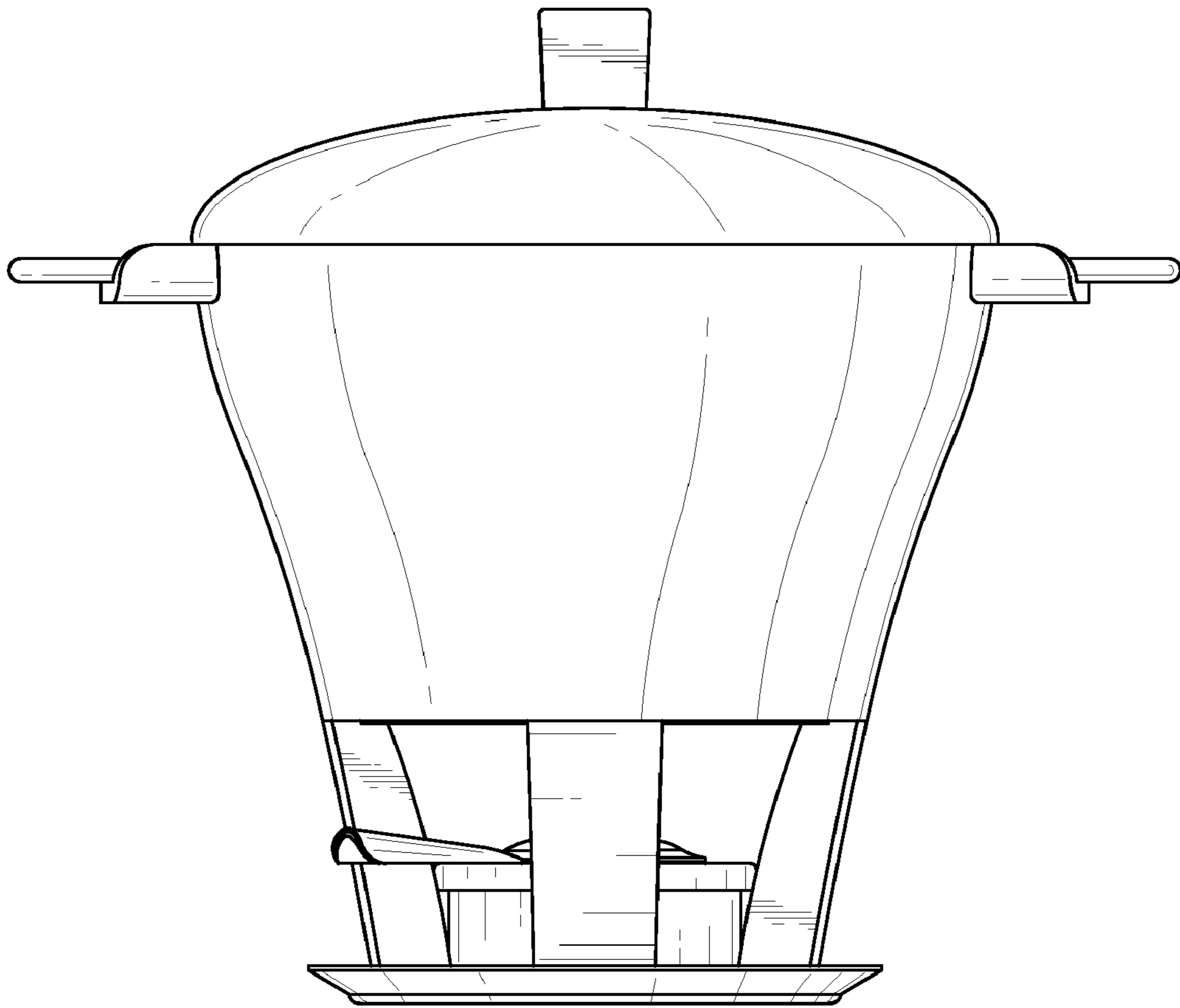


FIG. 2

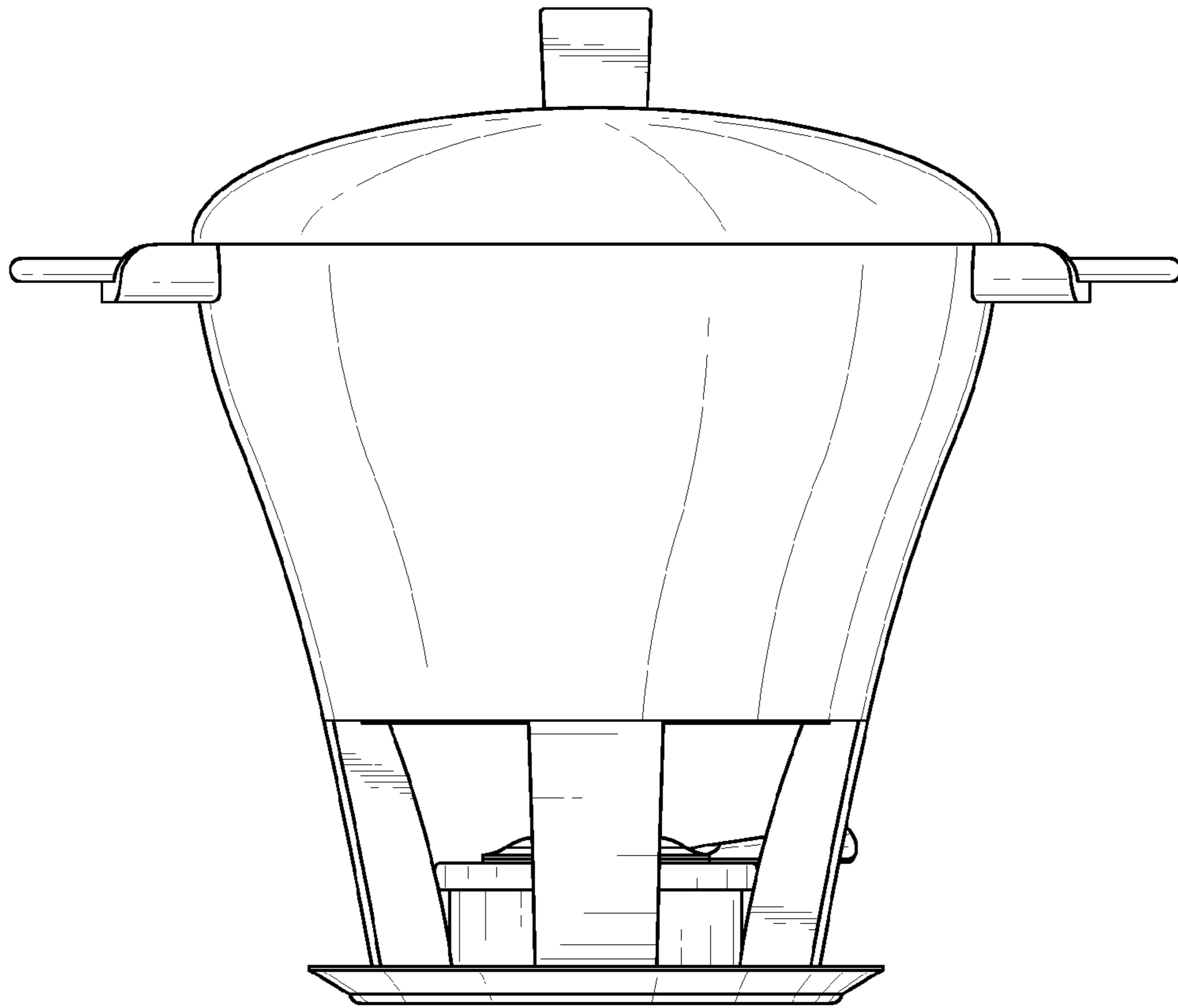


FIG. 3

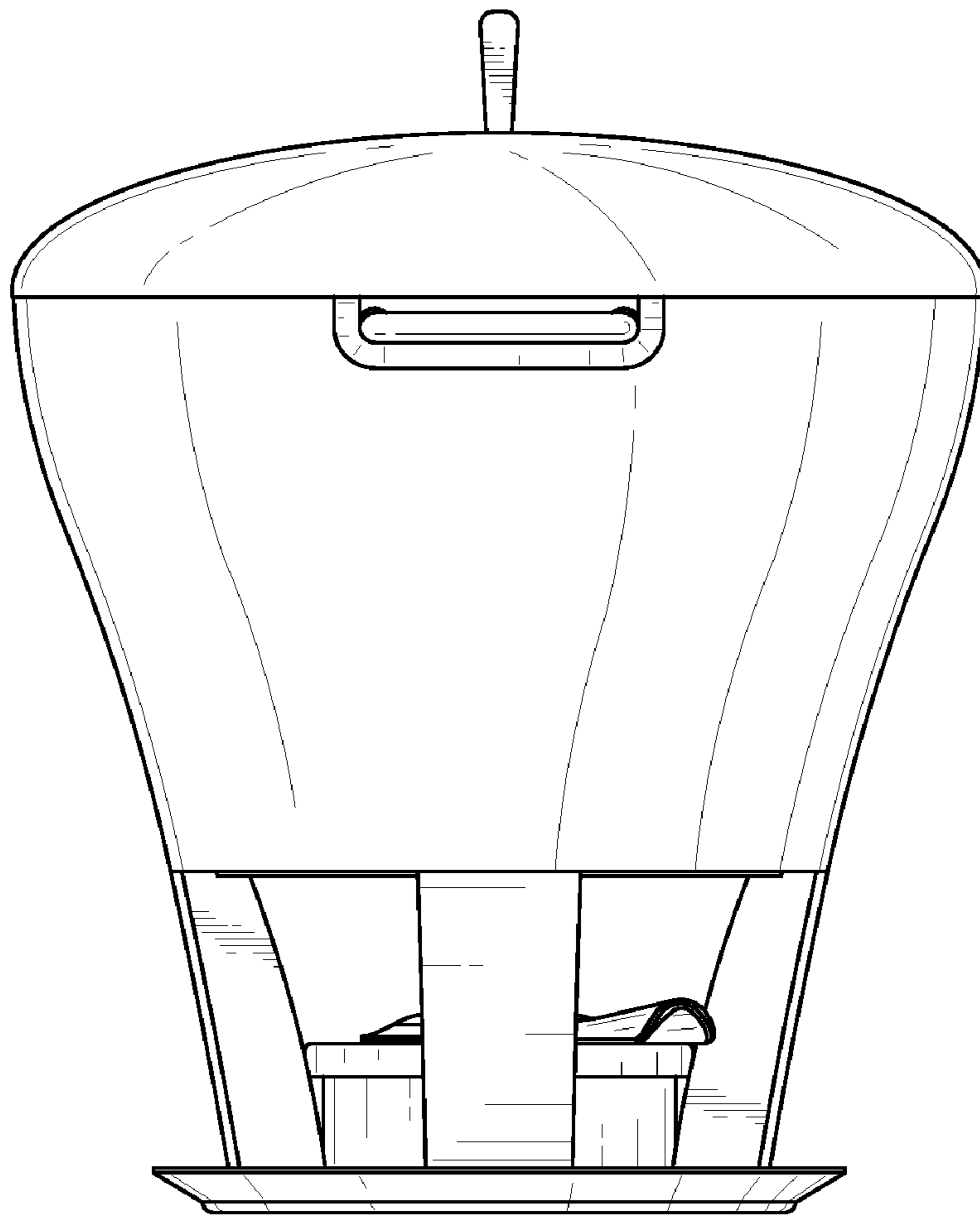


FIG. 4

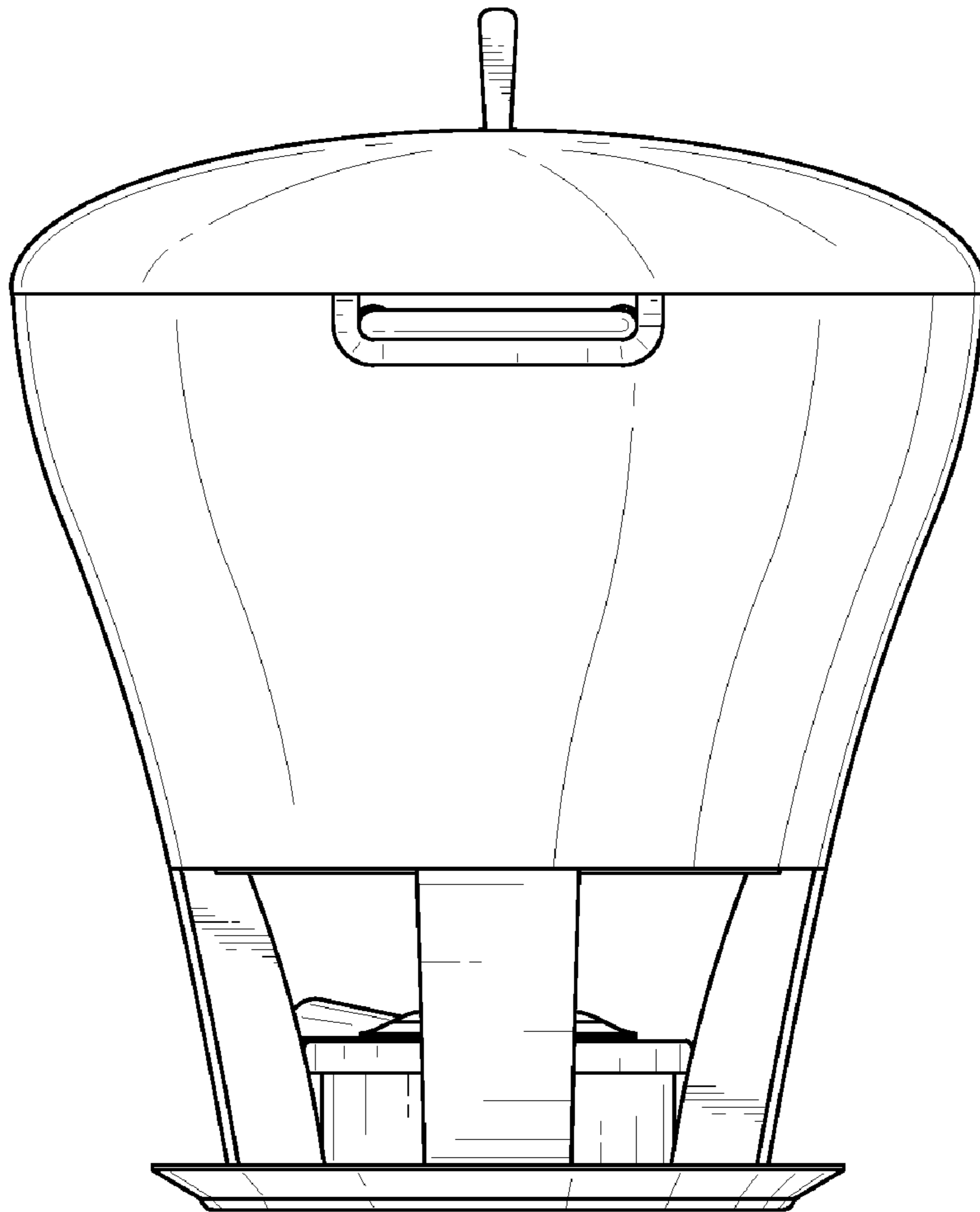


FIG. 5

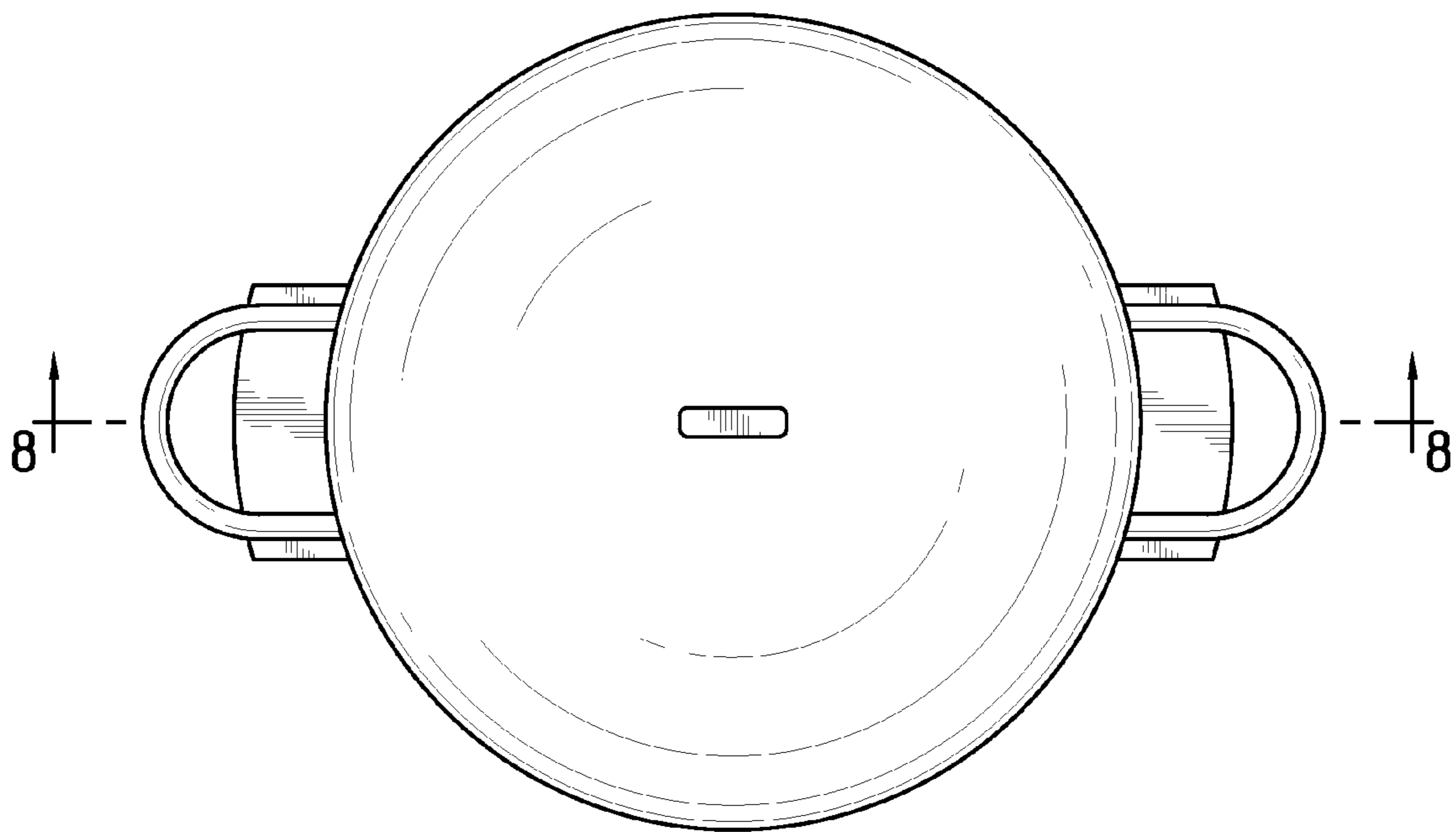


FIG. 6

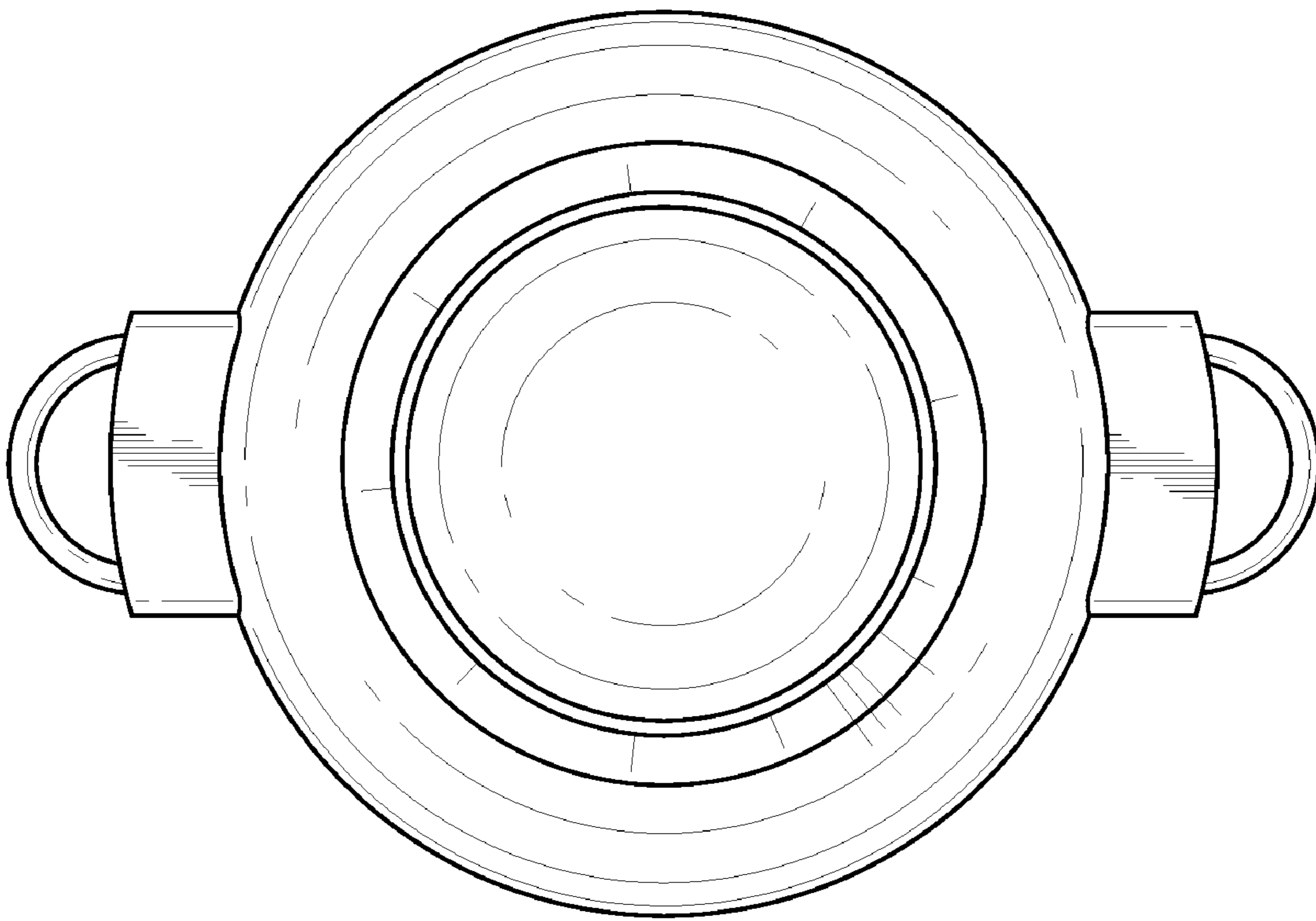


FIG. 7



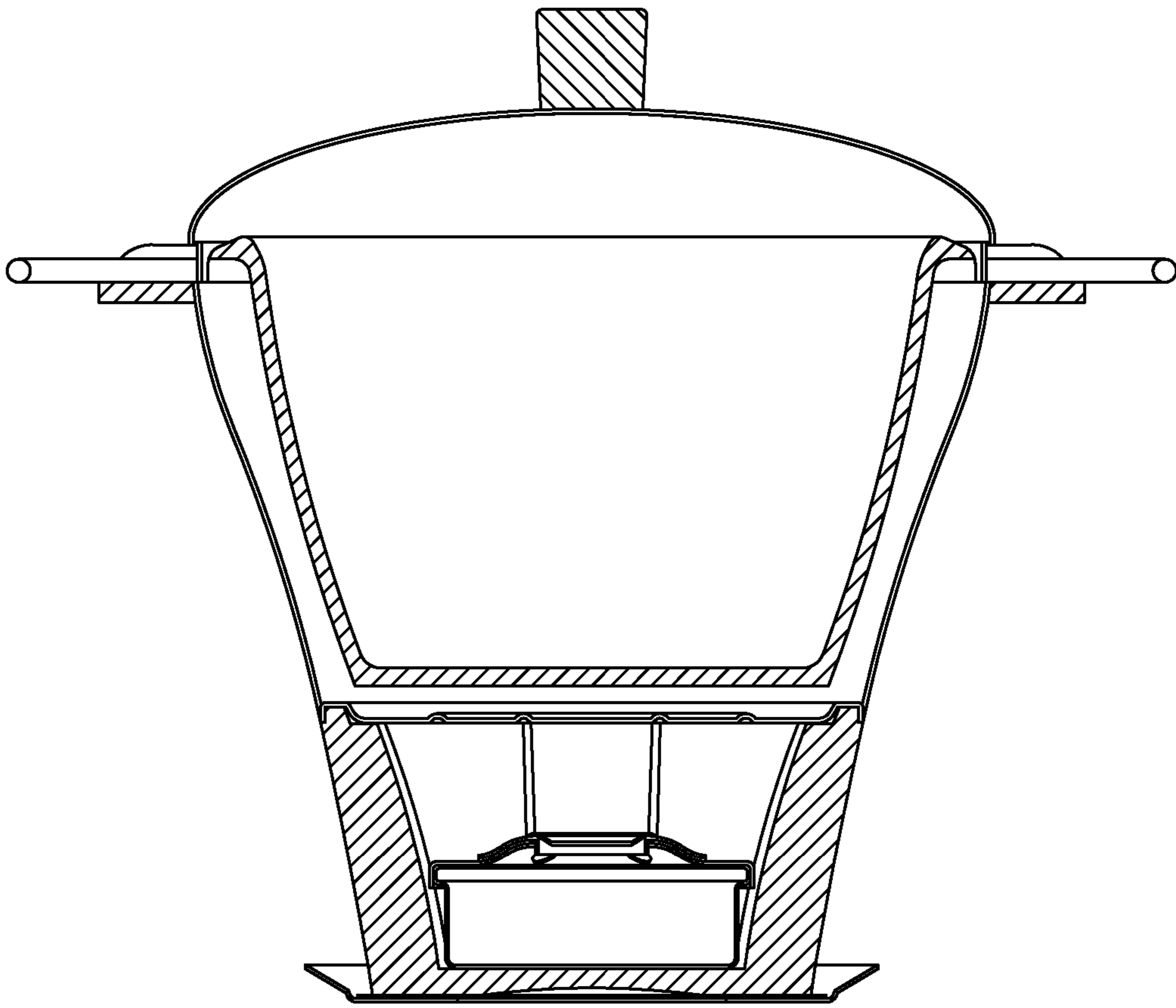


FIG. 8