



US00D547109S

(12) **United States Design Patent**  
**Tseng**

(10) **Patent No.:** **US D547,109 S**

(45) **Date of Patent:** **\*\* Jul. 24, 2007**

(54) **GRILL**

D533,010 S \* 12/2006 Pai ..... D7/334  
D536,206 S \* 2/2007 Ritterling ..... D7/332

(75) Inventor: **Jackie Tseng**, Chiayi Hsien (TW)

\* cited by examiner

(73) Assignee: **Sing Chen International Co., Ltd.**,  
Chiayi Hsien (TW)

*Primary Examiner*—Ruth McInroy  
(74) *Attorney, Agent, or Firm*—Marger Johnson &  
McCollom, PC

(\*\*) Term: **14 Years**

(21) Appl. No.: **29/255,535**

(57) **CLAIM**

(22) Filed: **Mar. 8, 2006**

I claim the ornamental design for a grill, as shown and described.

(51) **LOC (8) Cl.** ..... **07-02**

(52) **U.S. Cl.** ..... **D7/334**

(58) **Field of Classification Search** ..... D7/332,  
D7/337, 402-405; 126/25 A, 25 AA, 9 R,  
126/9 A, 9 B, 38, 37 R, 41 R, 40, 50, 12,  
126/276, 8, 304 R; 99/481-482; 312/249.13,  
312/249.8, 351.2

See application file for complete search history.

**DESCRIPTION**

FIG. 1 is a perspective view of a grill showing my new design;

FIG. 2 is a front elevational view thereof;

FIG. 3 is a rear elevational view thereof;

FIG. 4 is a left side elevational view thereof;

FIG. 5 is a right side elevational view thereof;

FIG. 6 is a top plan view thereof; and,

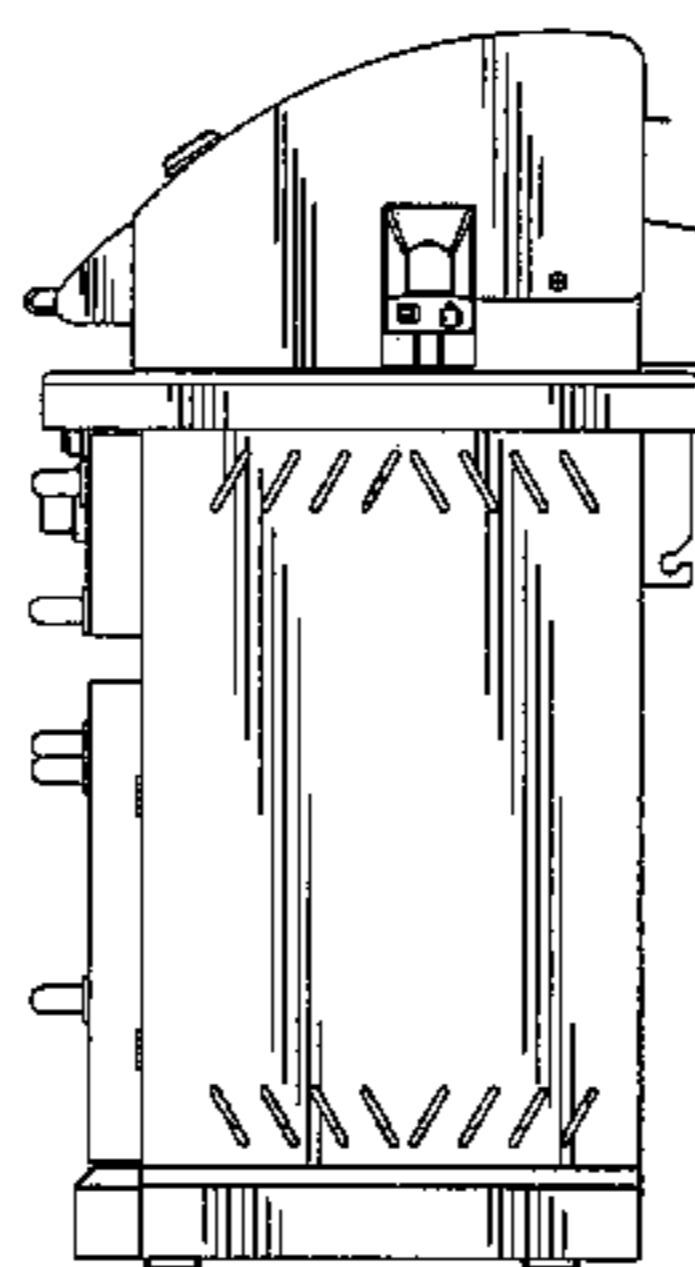
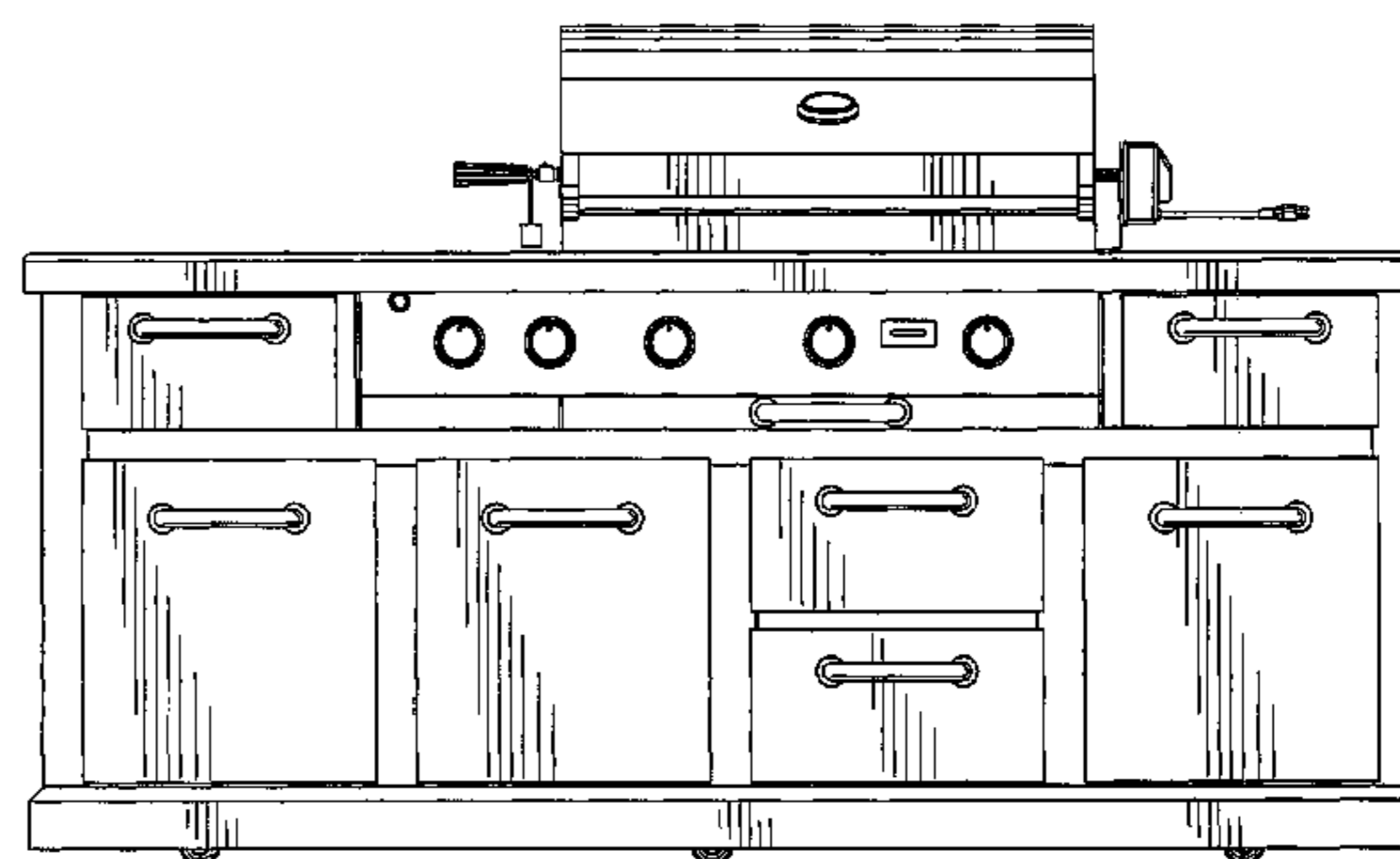
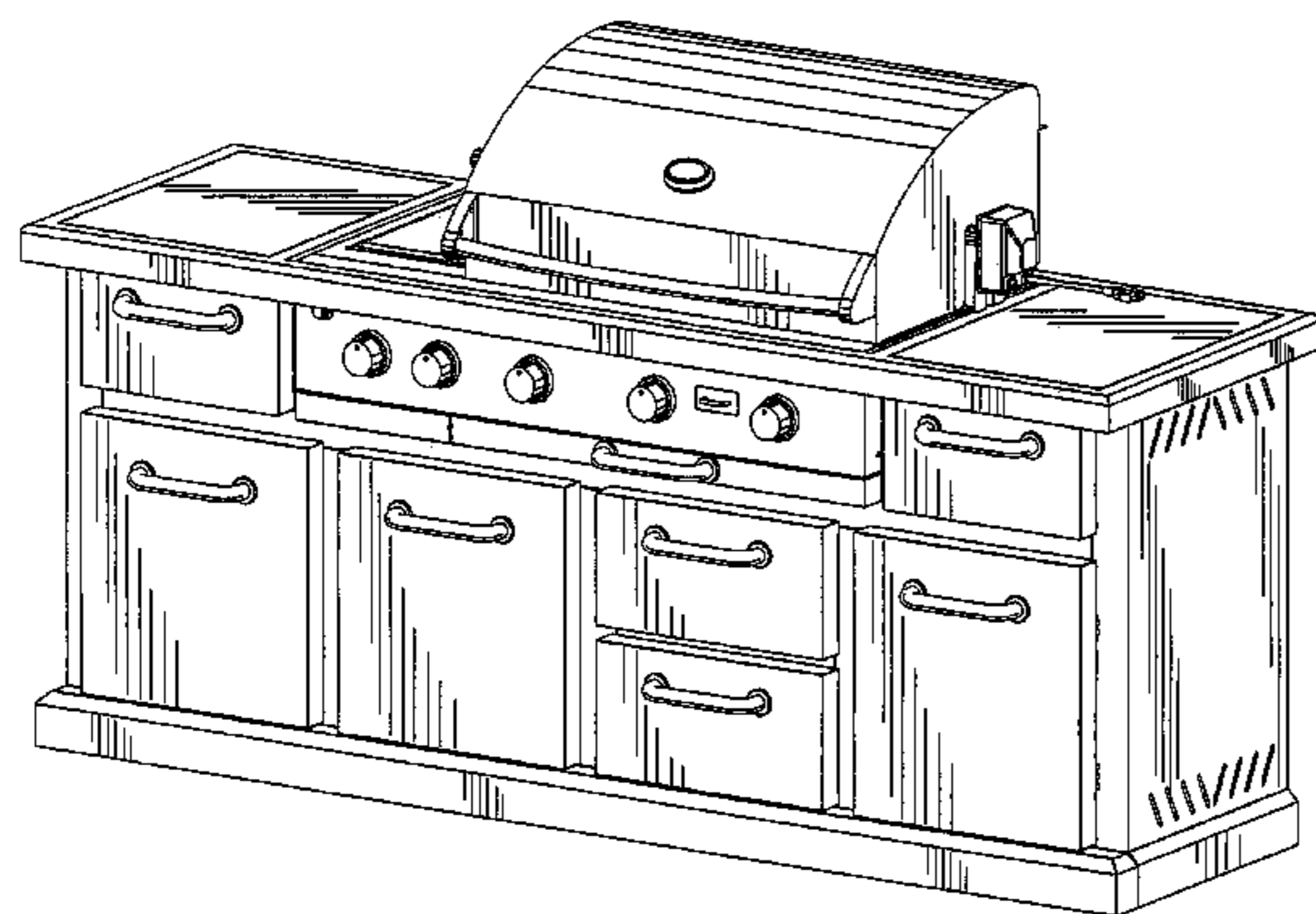
FIG. 7 is a bottom plan view thereof.

(56) **References Cited**

**U.S. PATENT DOCUMENTS**

D485,467 S \* 1/2004 Pai ..... D7/334  
D529,754 S \* 10/2006 Chung ..... D7/334  
D533,009 S \* 12/2006 Pai ..... D7/334

**1 Claim, 6 Drawing Sheets**



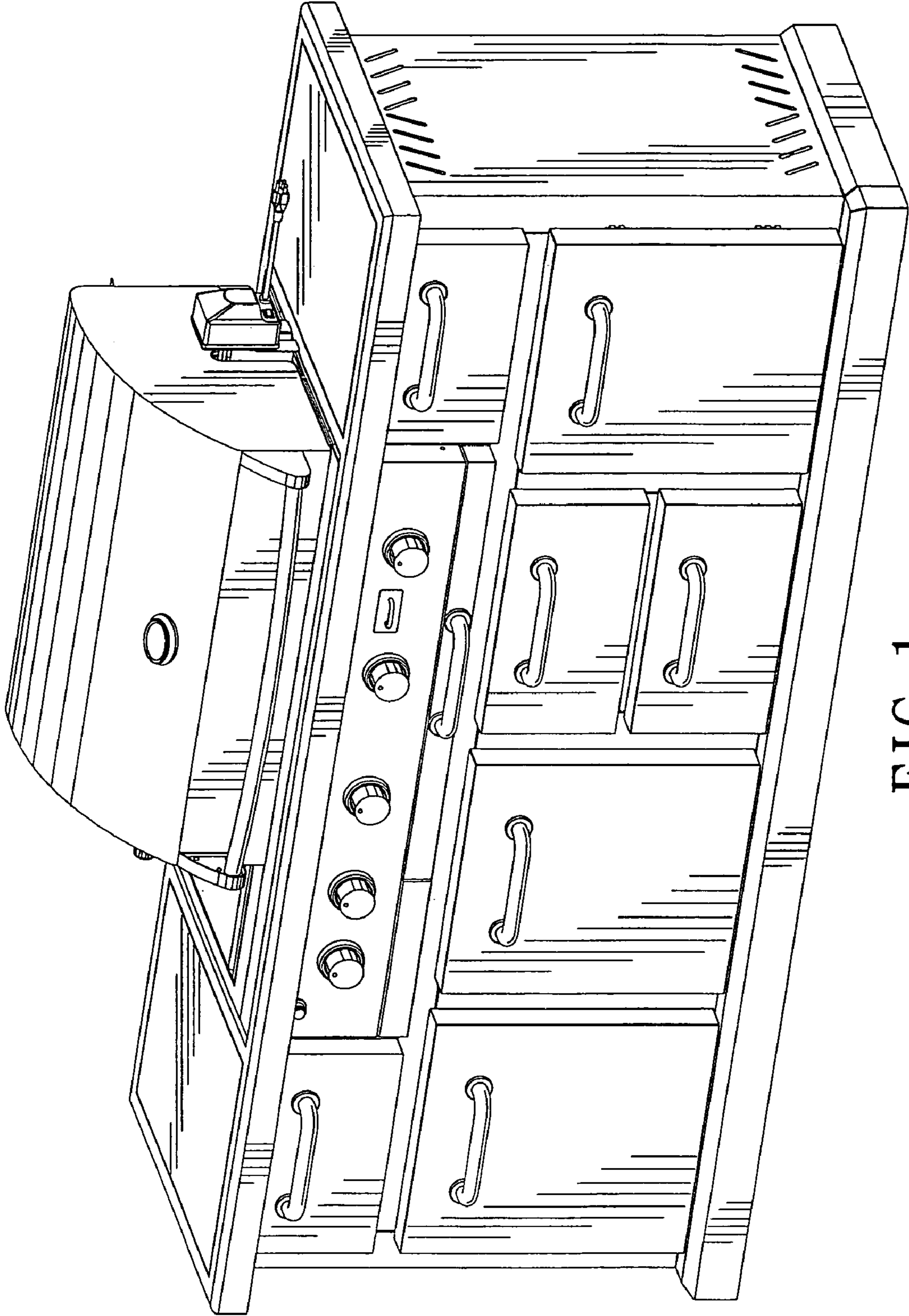


FIG. 1

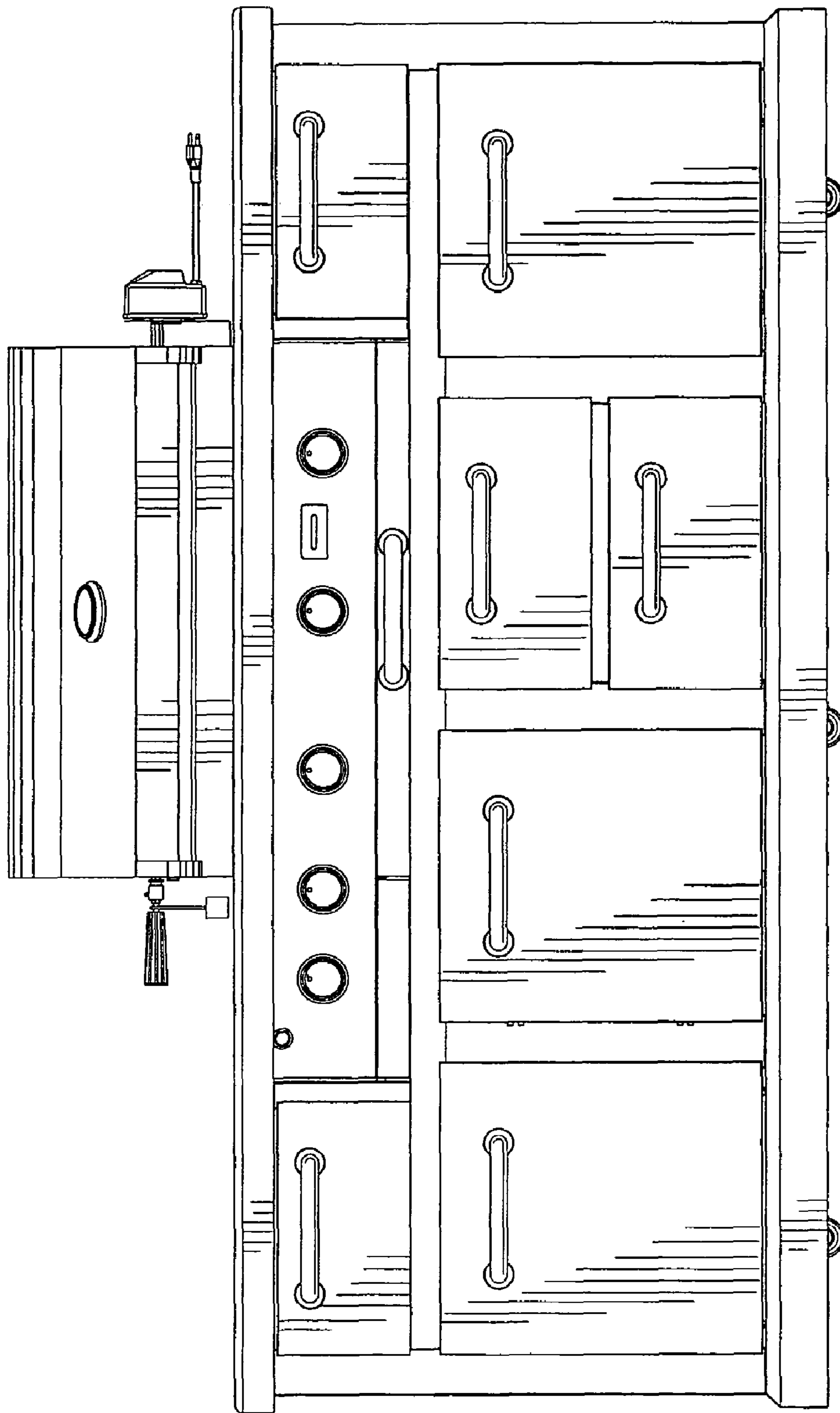


FIG. 2

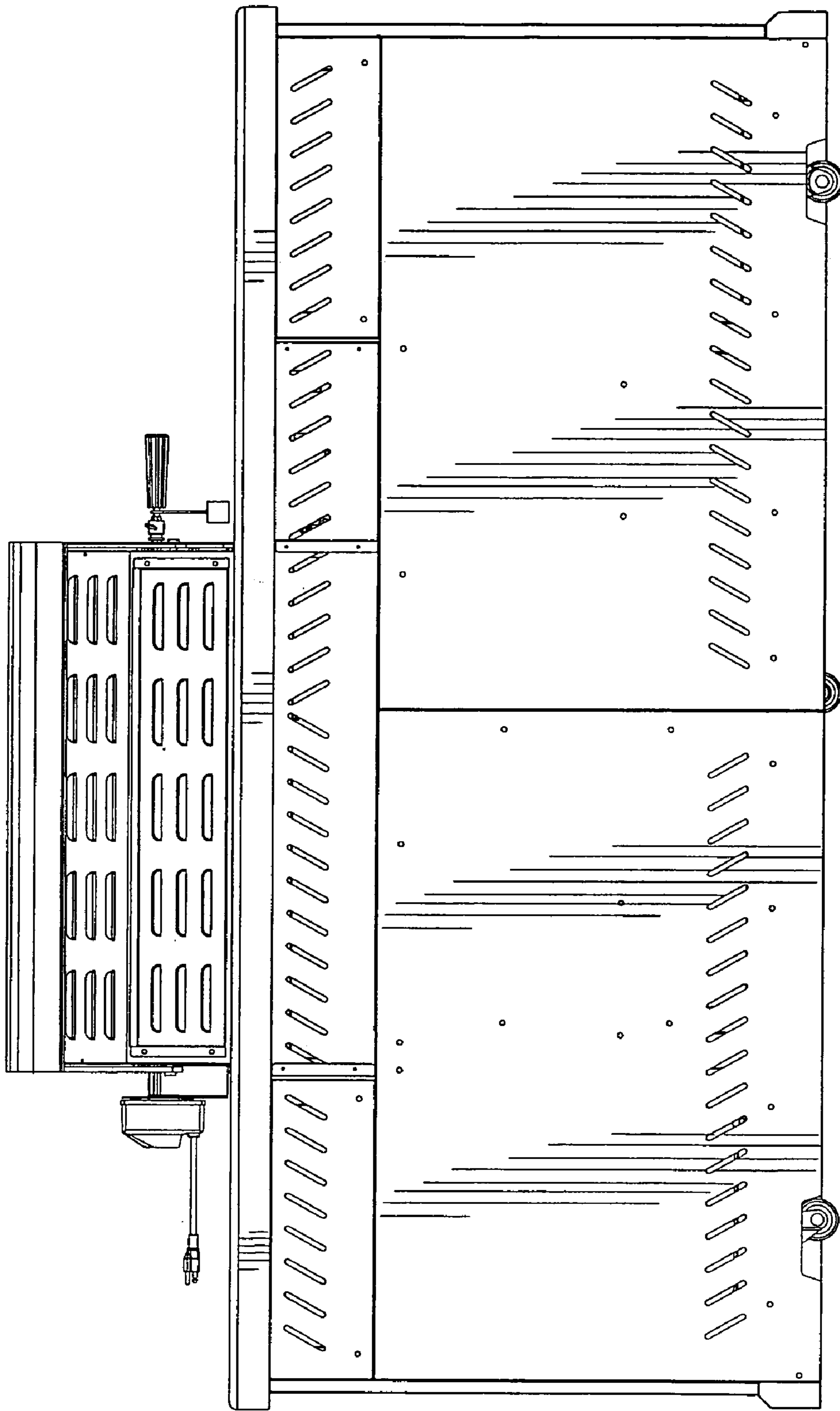


FIG. 3

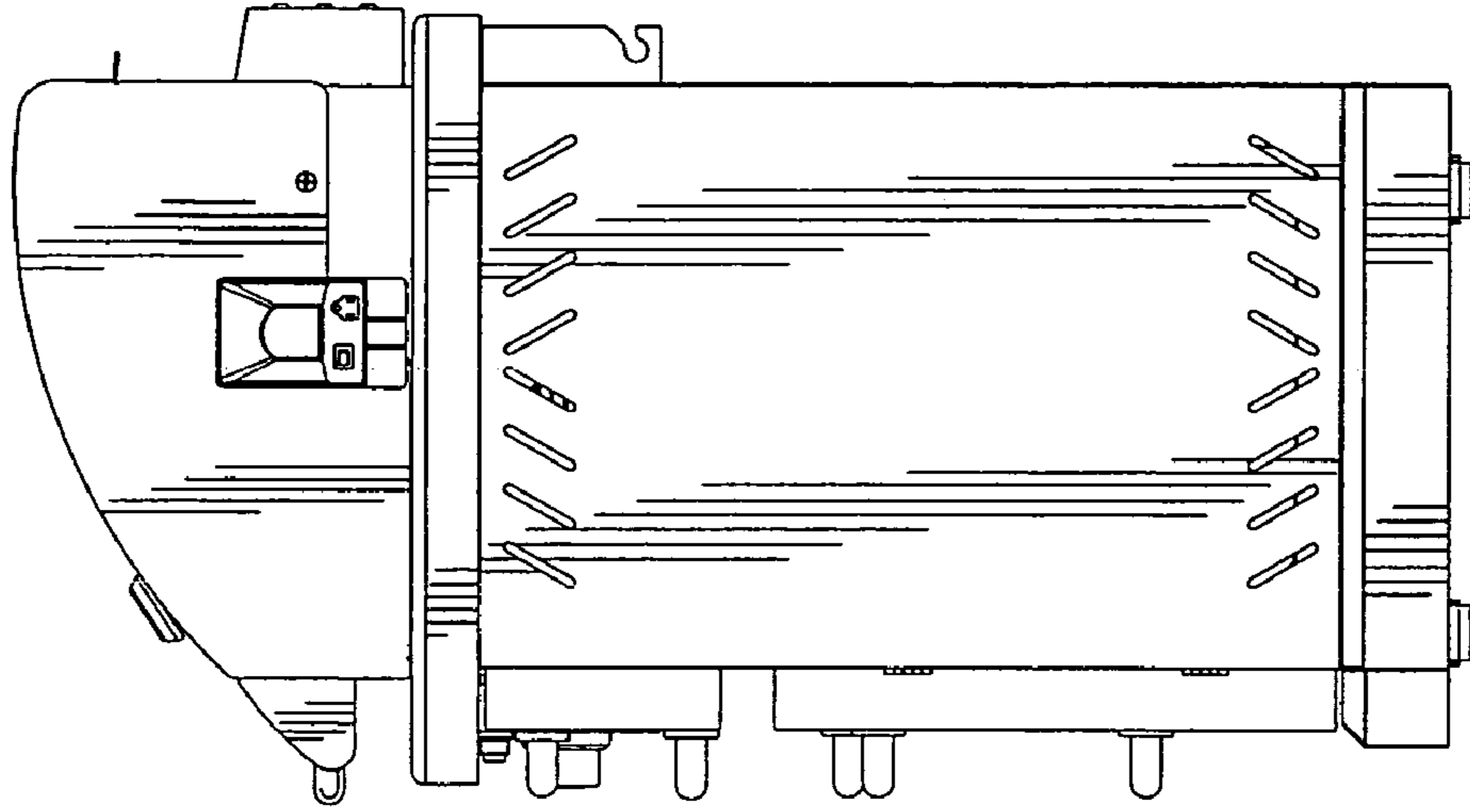


FIG. 5

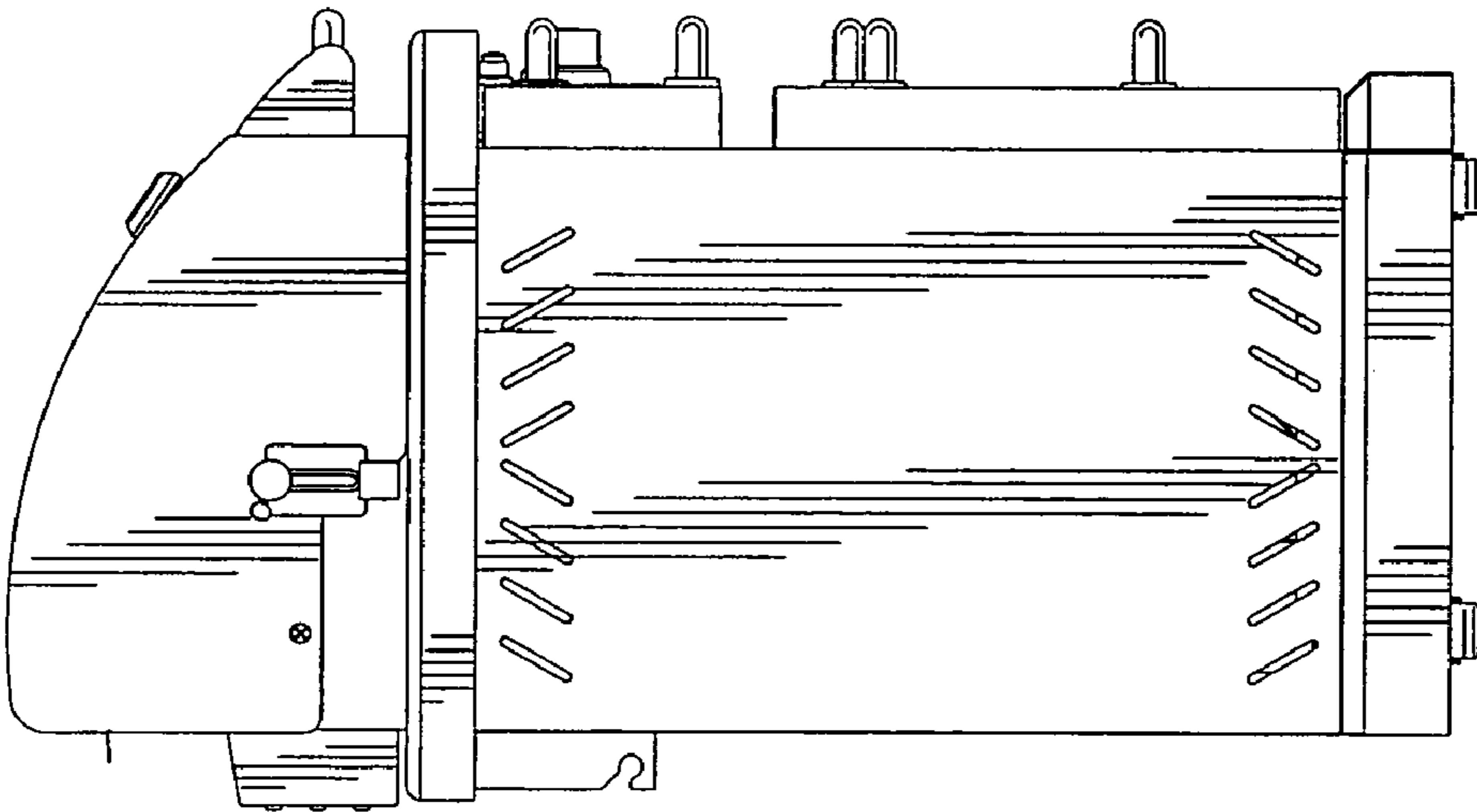


FIG. 4

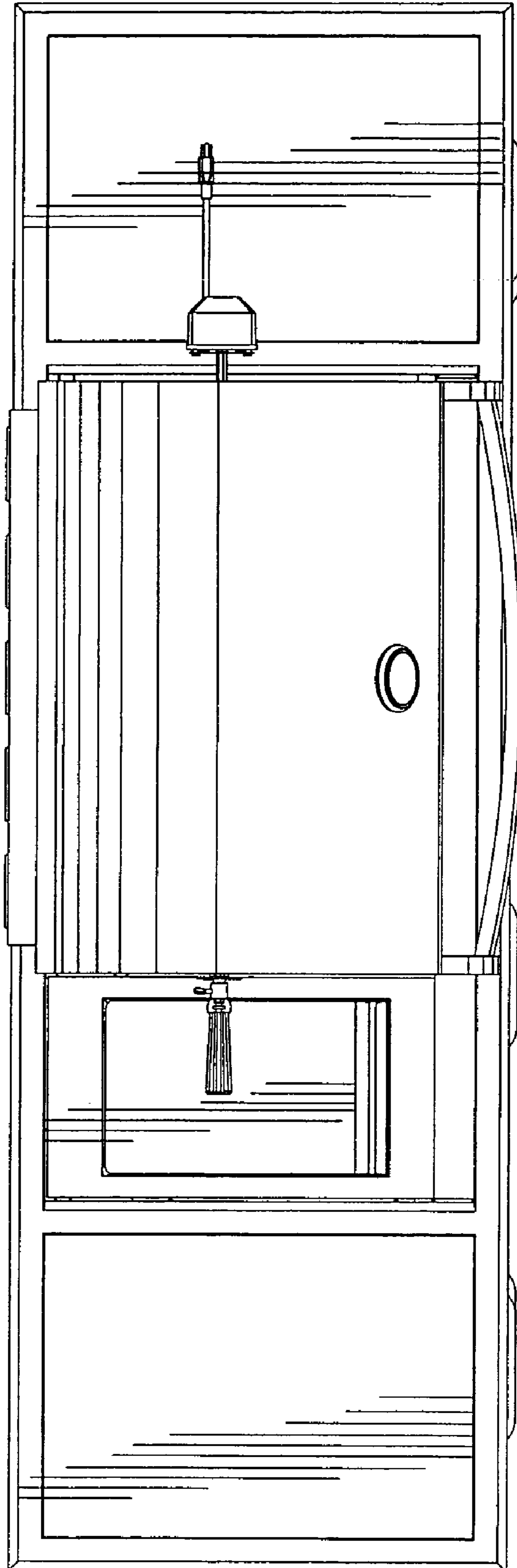


FIG. 6

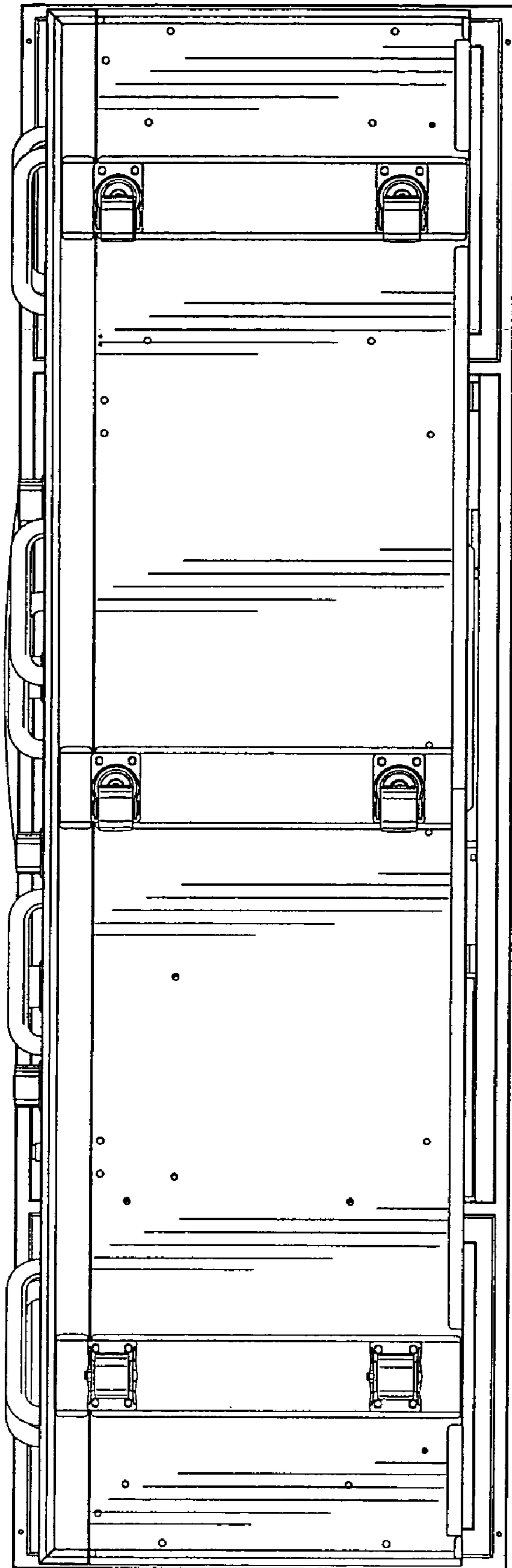


FIG. 7