



US00D547108S

(12) **United States Design Patent**
Tseng

(10) **Patent No.:** **US D547,108 S**

(45) **Date of Patent:** **** Jul. 24, 2007**

(54) **GRILLER**

(75) Inventor: **Jackie Tseng**, Chiayi Hsien (TW)

(73) Assignee: **Sing Chen International Co., Ltd.**,
Chiayi Hsien (TW)

(**) Term: **14 Years**

(21) Appl. No.: **29/247,385**

(22) Filed: **Jun. 14, 2006**

(51) **LOC (8) Cl.** **07-02**

(52) **U.S. Cl.** **D7/332**

(58) **Field of Classification Search** D7/332-337,
D7/402-405; 126/25 A, 25 AA, 9 R, 9 A,
126/9 B, 38, 37 R, 41 R, 40, 50, 12, 276,
126/8, 304 R; 99/481-482; 312/249.13,
312/249.8, 351.2

See application file for complete search history.

(56) **References Cited**

U.S. PATENT DOCUMENTS

D485,467 S * 1/2004 Pai D7/334
D521,308 S * 5/2006 Tseng D7/334

D535,846 S * 1/2007 Debord et al. D7/334
D536,918 S * 2/2007 Wood D7/334

* cited by examiner

Primary Examiner—Ruth McInroy

(74) *Attorney, Agent, or Firm*—Marger Johnson &
McCullom, PC

(57) **CLAIM**

I claim the ornamental design for a griller, as shown and described.

DESCRIPTION

FIG. 1 is a perspective view of a griller showing my new design;

FIG. 2 is a front elevational view thereof;

FIG. 3 is a rear elevational view thereof;

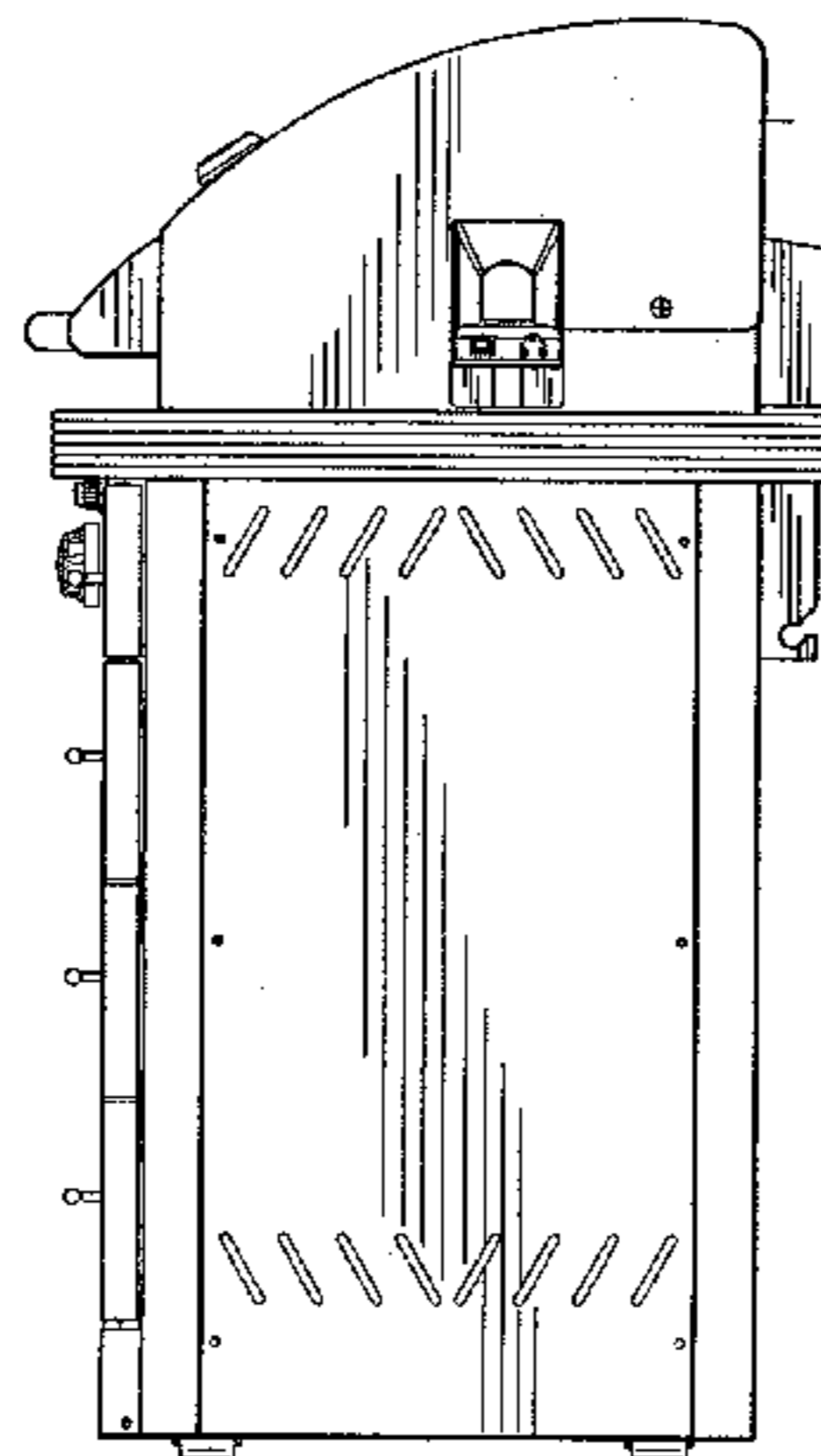
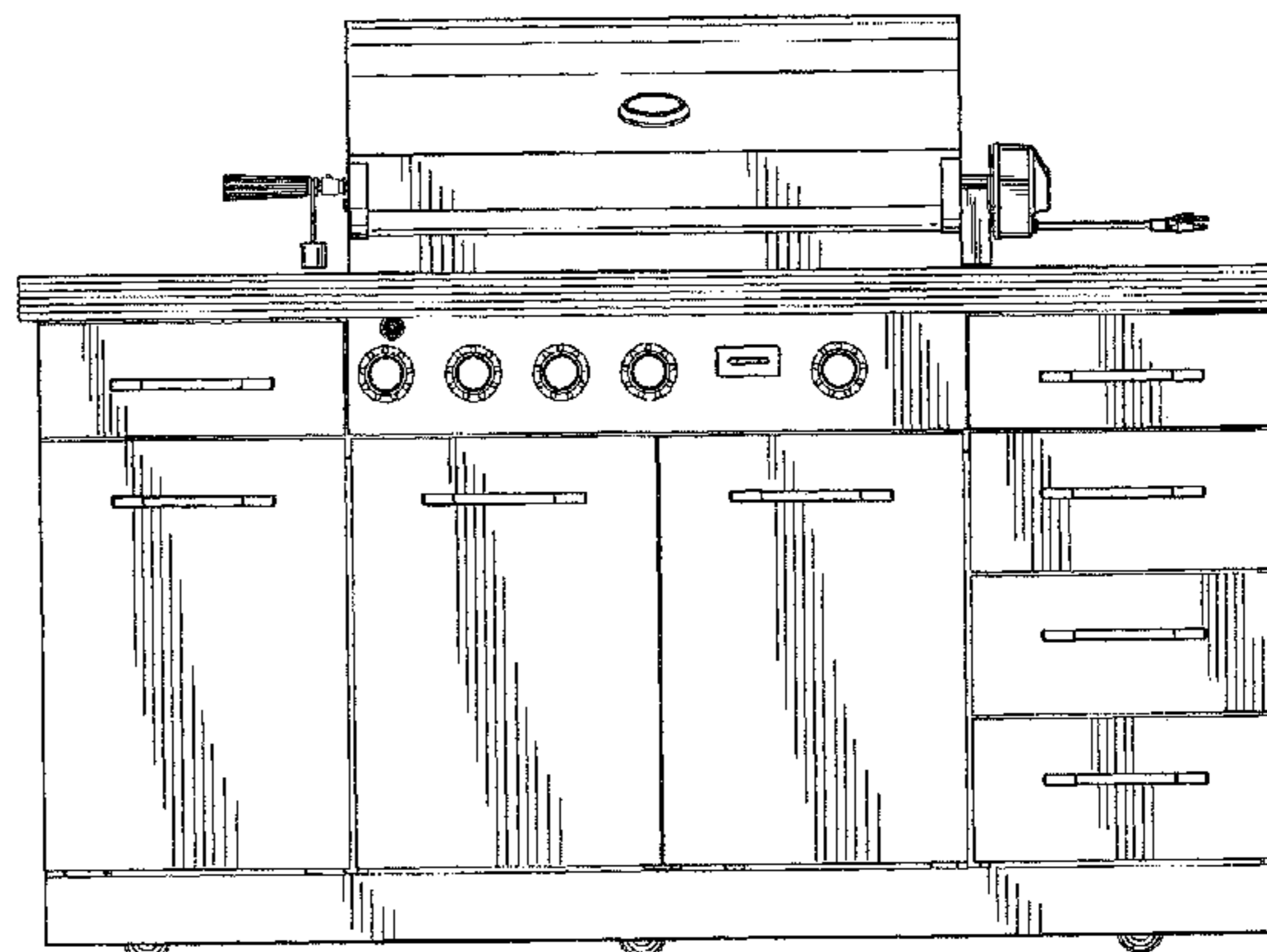
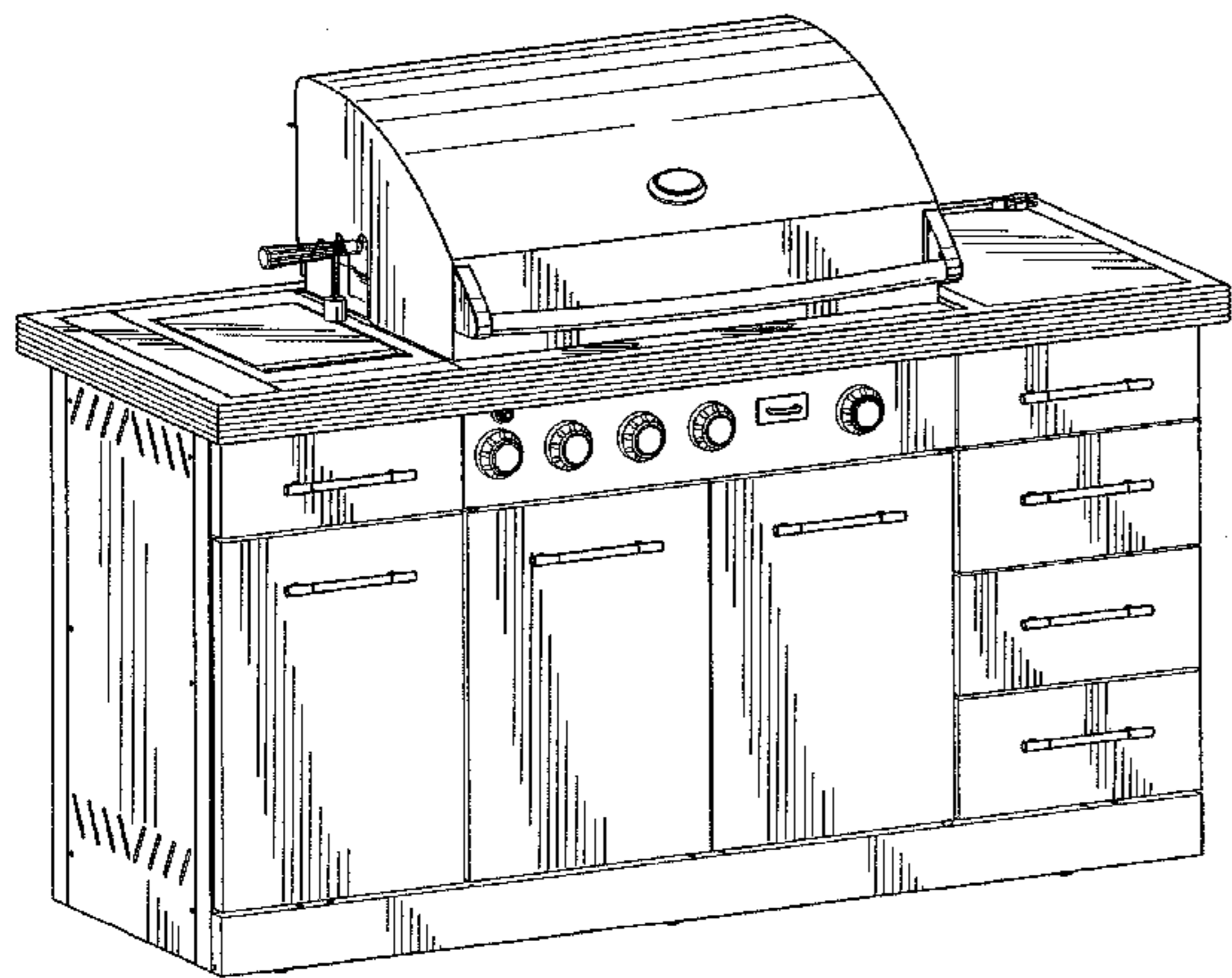
FIG. 4 is a left side elevational view thereof;

FIG. 5 is a right side elevational view thereof;

FIG. 6 is a top plan view thereof; and,

FIG. 7 is a bottom plan view thereof.

1 Claim, 6 Drawing Sheets



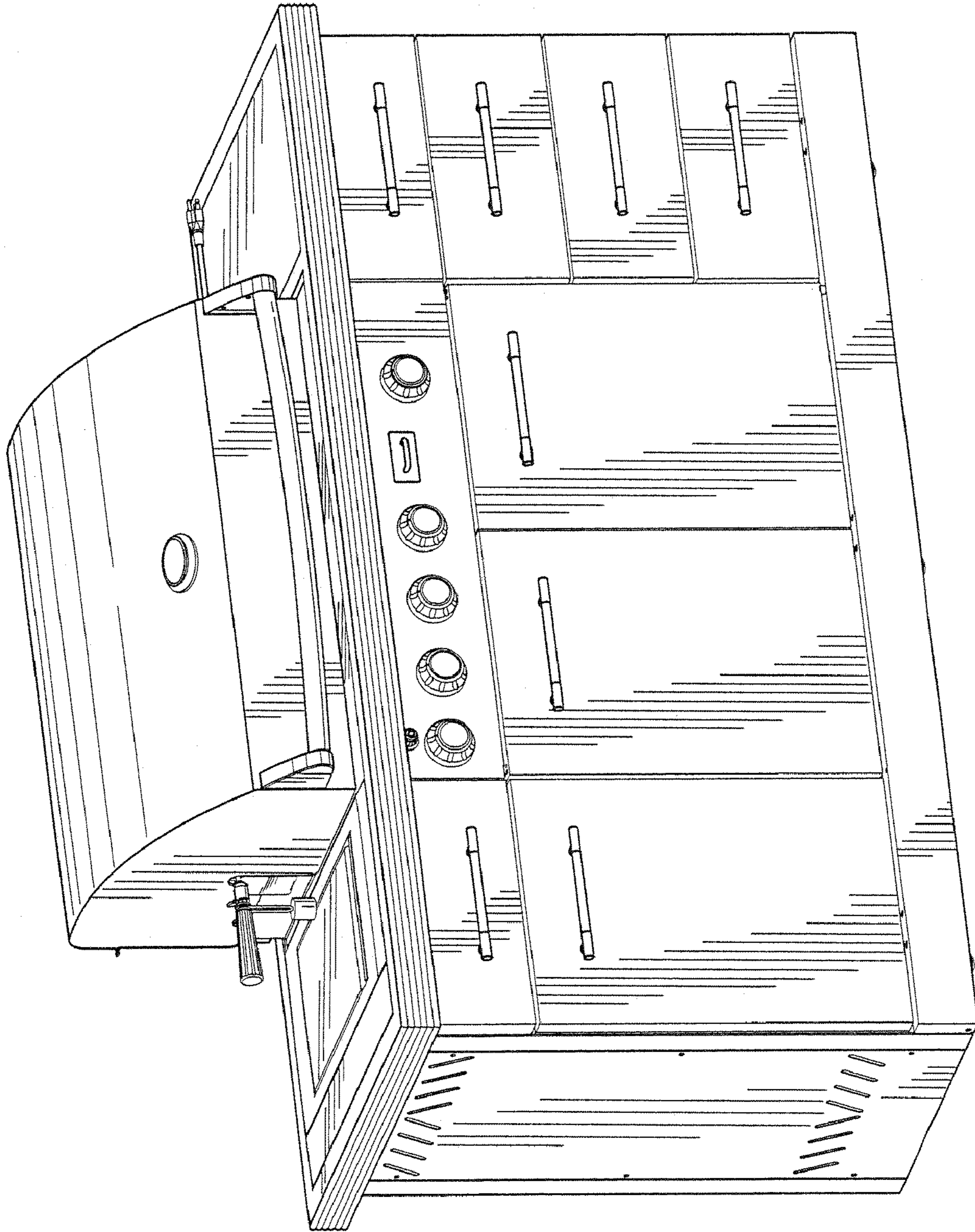


FIG. 1

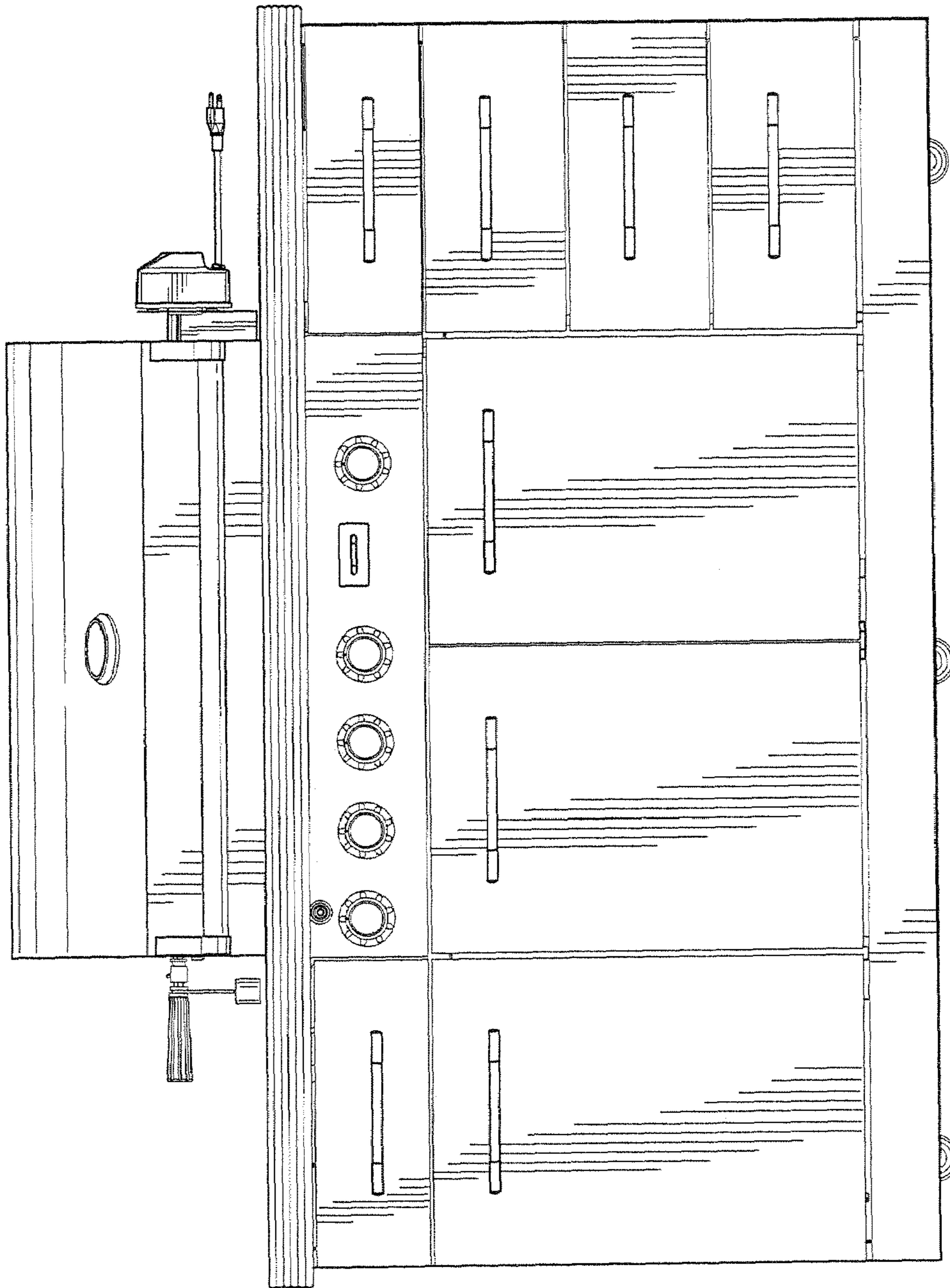


FIG. 2

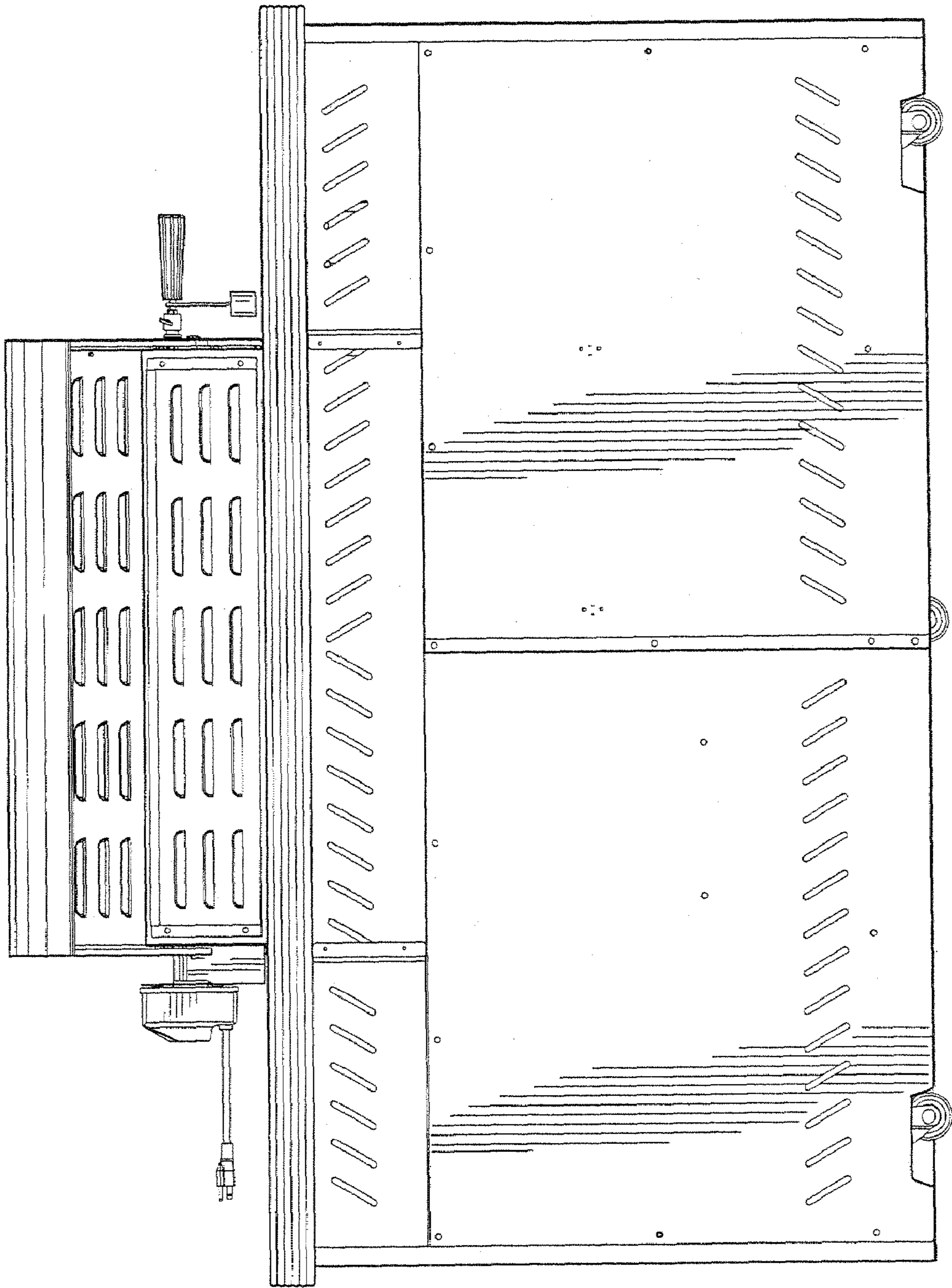


FIG. 3

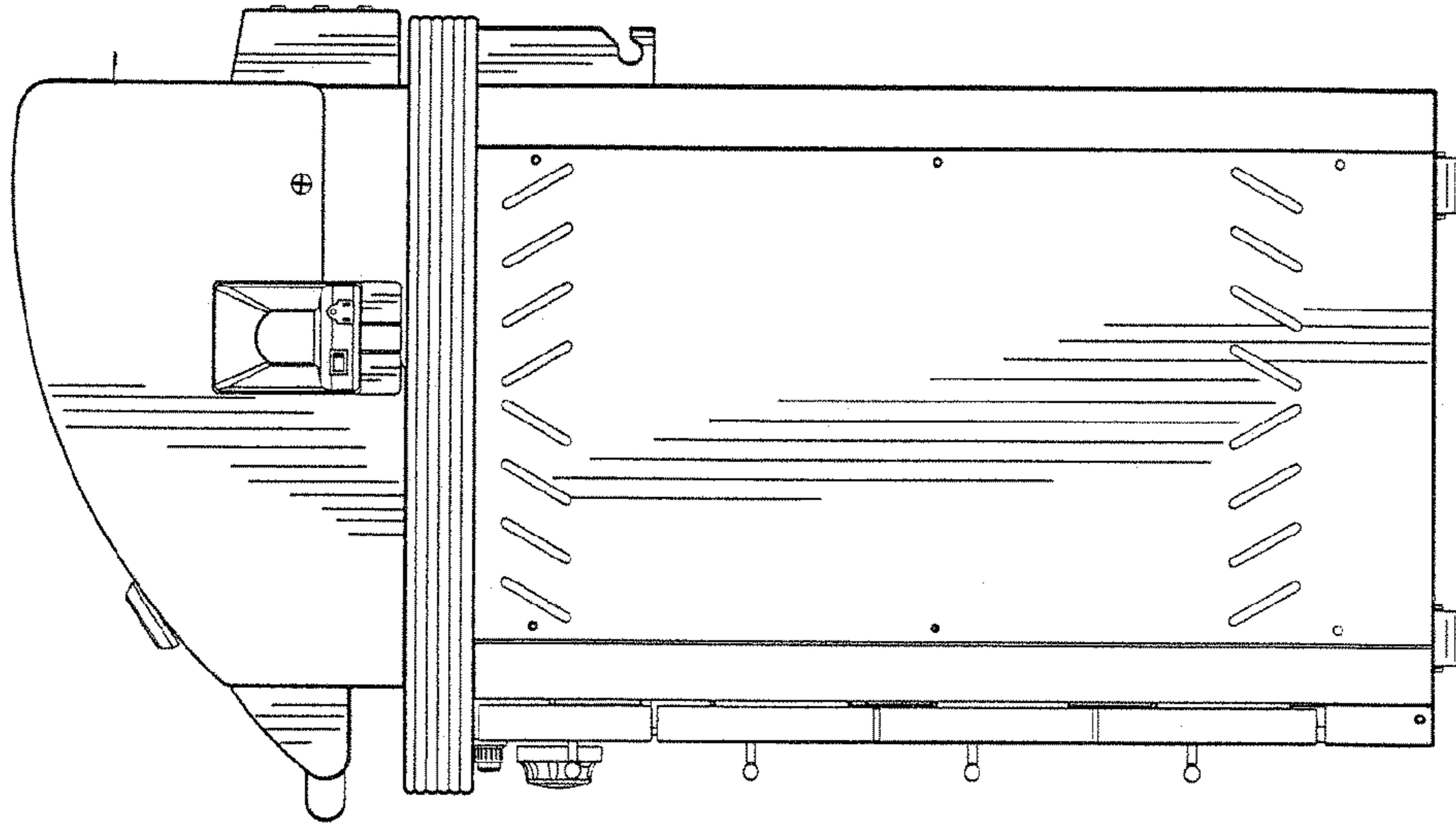


FIG. 5

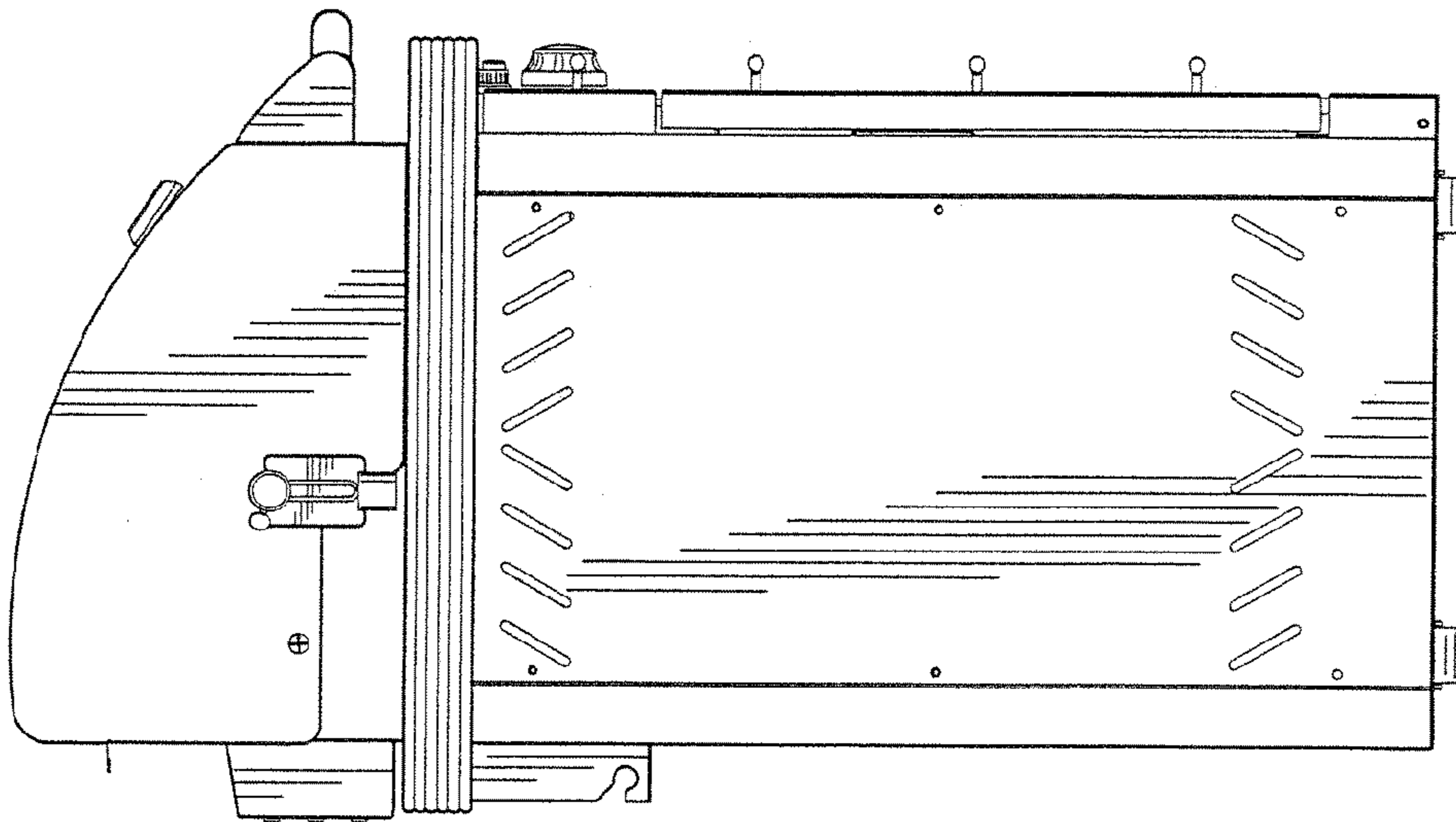


FIG. 4

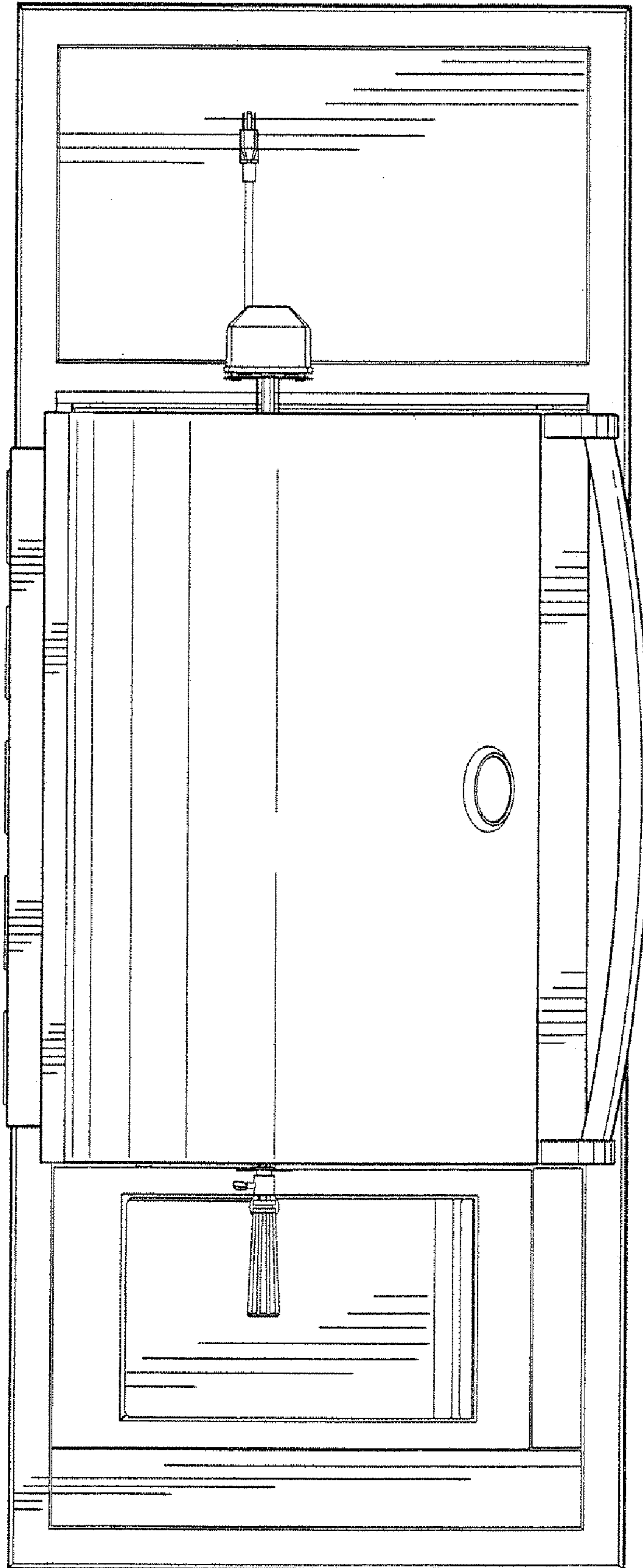


FIG. 6

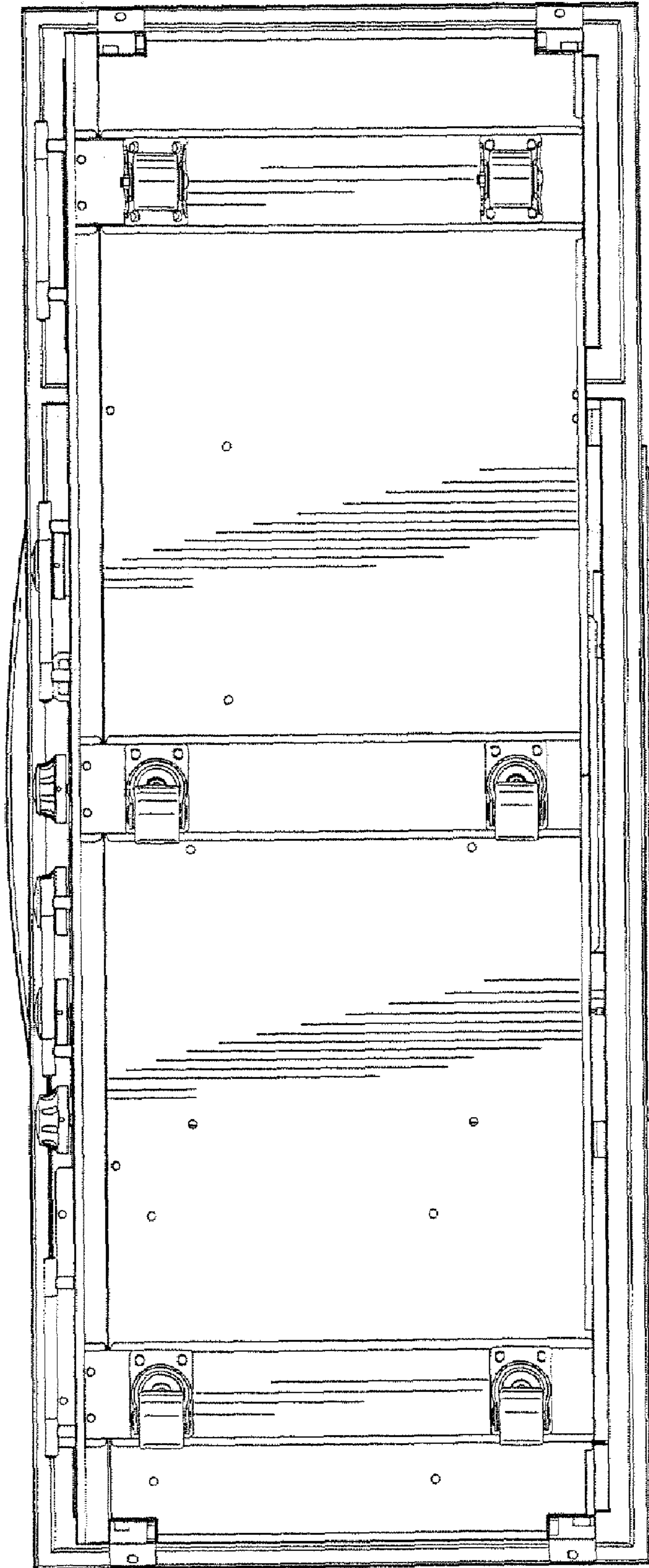


FIG. 7