



US00D547107S

(12) **United States Design Patent**
Lam

(10) **Patent No.:** **US D547,107 S**

(45) **Date of Patent:** **** Jul. 24, 2007**

- (54) **TOASTER WITH MINI COOKER**
- (75) Inventor: **Raymond Hoi-Tak Lam**, Wanchai (HK)
- (73) Assignee: **South Asia International (H.K.) Ltd.**, Hong Kong (HK)

D395,977 S *	7/1998	Pena Angarita	D7/330
6,058,829 A *	5/2000	Endres	99/329 RT
D427,838 S *	7/2000	Lee	D7/329
D475,236 S *	6/2003	Lai	D7/350.1
D486,533 S *	2/2004	Morris	D21/542
D525,472 S *	7/2006	Beesley et al.	D7/329
7,105,778 B1 *	9/2006	DeLong et al.	219/386

- (**) Term: **14 Years**
- (21) Appl. No.: **29/270,073**
- (22) Filed: **Dec. 13, 2006**

* cited by examiner

Primary Examiner—Cathron C. Brooks
Assistant Examiner—Ricky Pham
 (74) *Attorney, Agent, or Firm*—Gallagher & Kennedy, P.A.;
 Thomas D. MacBlain

- (51) **LOC (8) Cl.** **07-02**
- (52) **U.S. Cl.** **D7/330**
- (58) **Field of Classification Search** D7/305,
 D7/323, 328–333, 340, 341, 346, 350.1, 354–360,
 D7/365, 367, 385, 390, 402, 405, 406, 407,
 D7/411; D21/525; 68/222; 99/329 RT,
 99/331, 332, 339, 341, 357, 375, 385, 391,
 99/395, 410; 126/19 R, 20, 275 R, 275 E,
 126/369, 377; 219/214, 385–388, 405, 443.1,
 219/450.1, 492, 620–622; 220/373.1–373.4;
 368/248–250

(57) **CLAIM**

The ornamental design for the toaster with mini cooker, as shown and described.

See application file for complete search history.

DESCRIPTION

FIG. 1 is a perspective view of the toaster with mini cooker showing my new design,
 FIG. 2 is a front elevation view thereof,
 FIG. 3 is a right elevation view thereof,
 FIG. 4 is a left elevation view thereof,
 FIG. 5 is a back elevation view thereof,
 FIG. 6 is a top plan view thereof; and,
 FIG. 7 is a bottom view thereof.

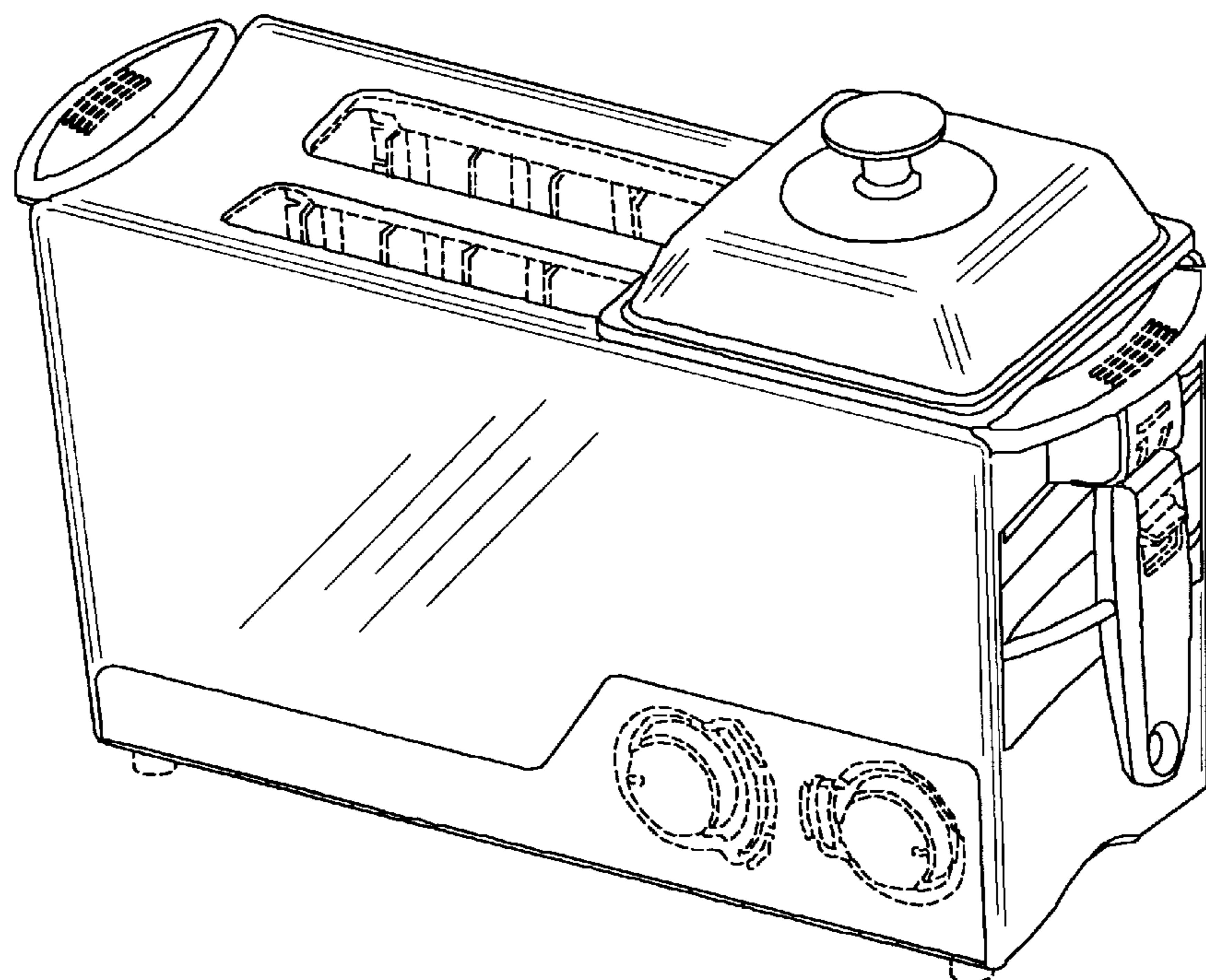
Features shown in broken lines are shown for environment only and do not form a part of the design claimed.

(56) **References Cited**

U.S. PATENT DOCUMENTS

D300,710 S *	4/1989	Williams	D7/330
D316,006 S *	4/1991	Gebhardt	D7/330
5,203,252 A *	4/1993	Hsieh	99/339
D337,476 S *	7/1993	Raab	D7/329
D340,831 S *	11/1993	Manabe	D7/305
D393,773 S *	4/1998	Copland	D7/330

1 Claim, 7 Drawing Sheets



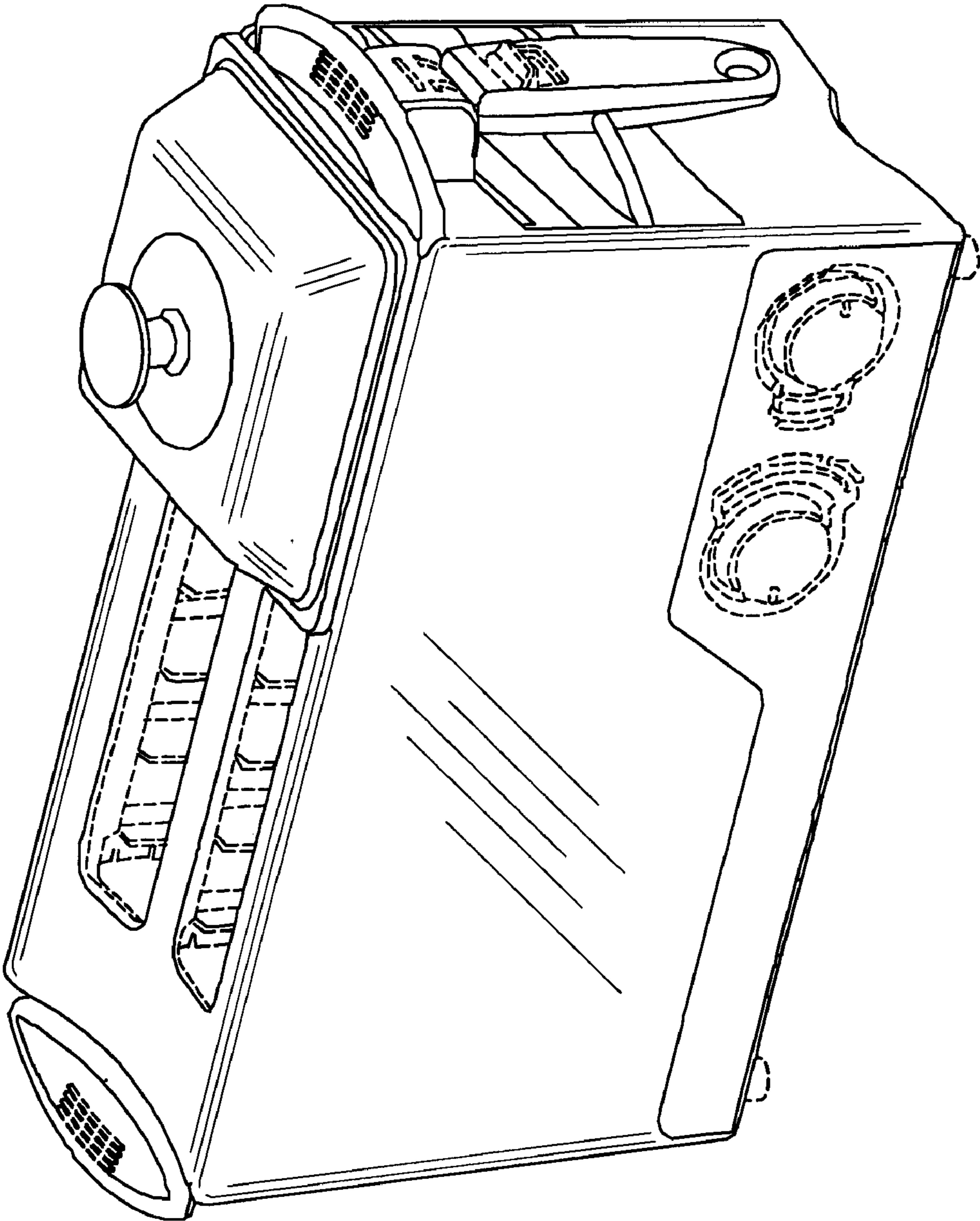


FIG. 1

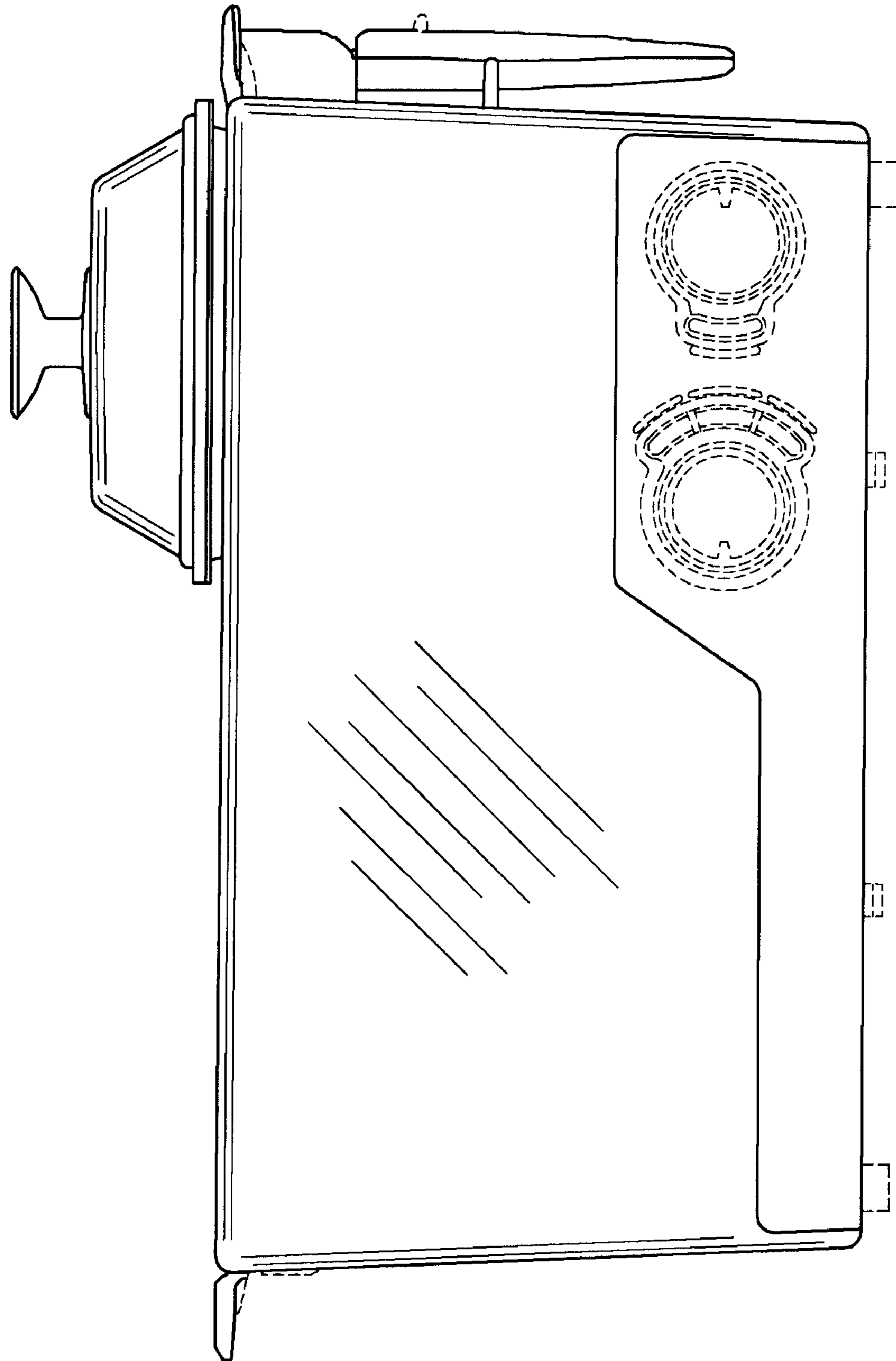


FIG. 2

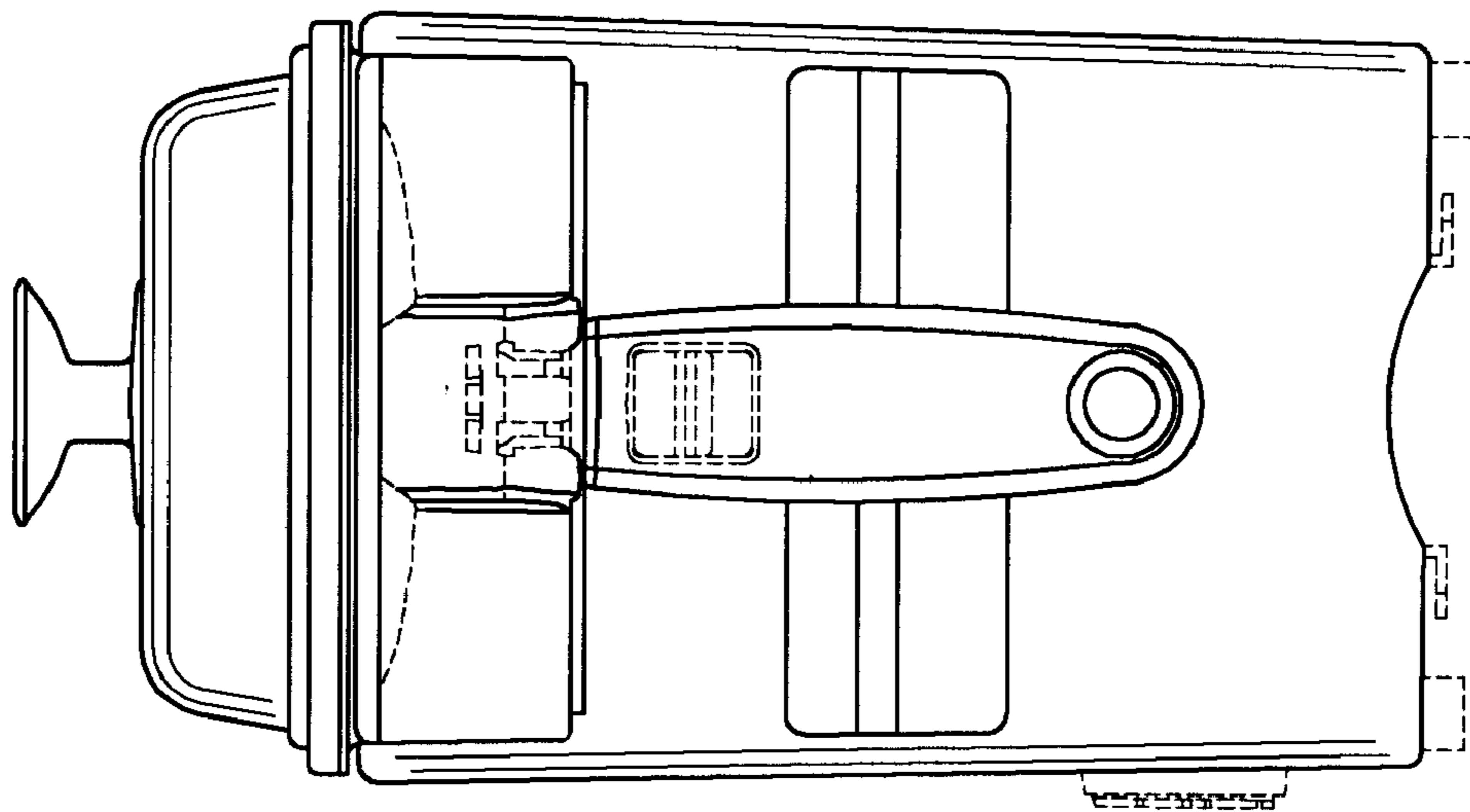


FIG. 3

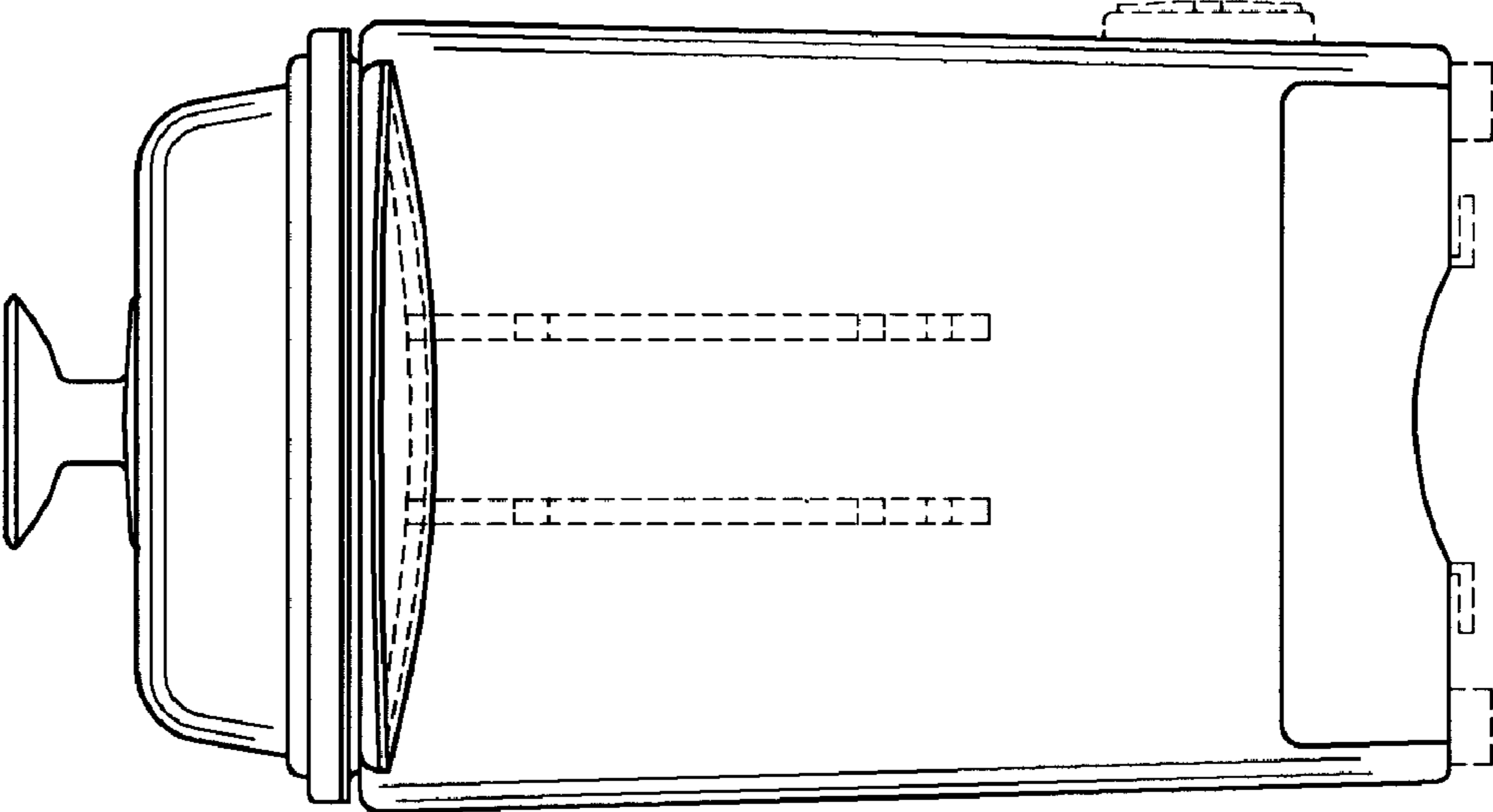


FIG. 4

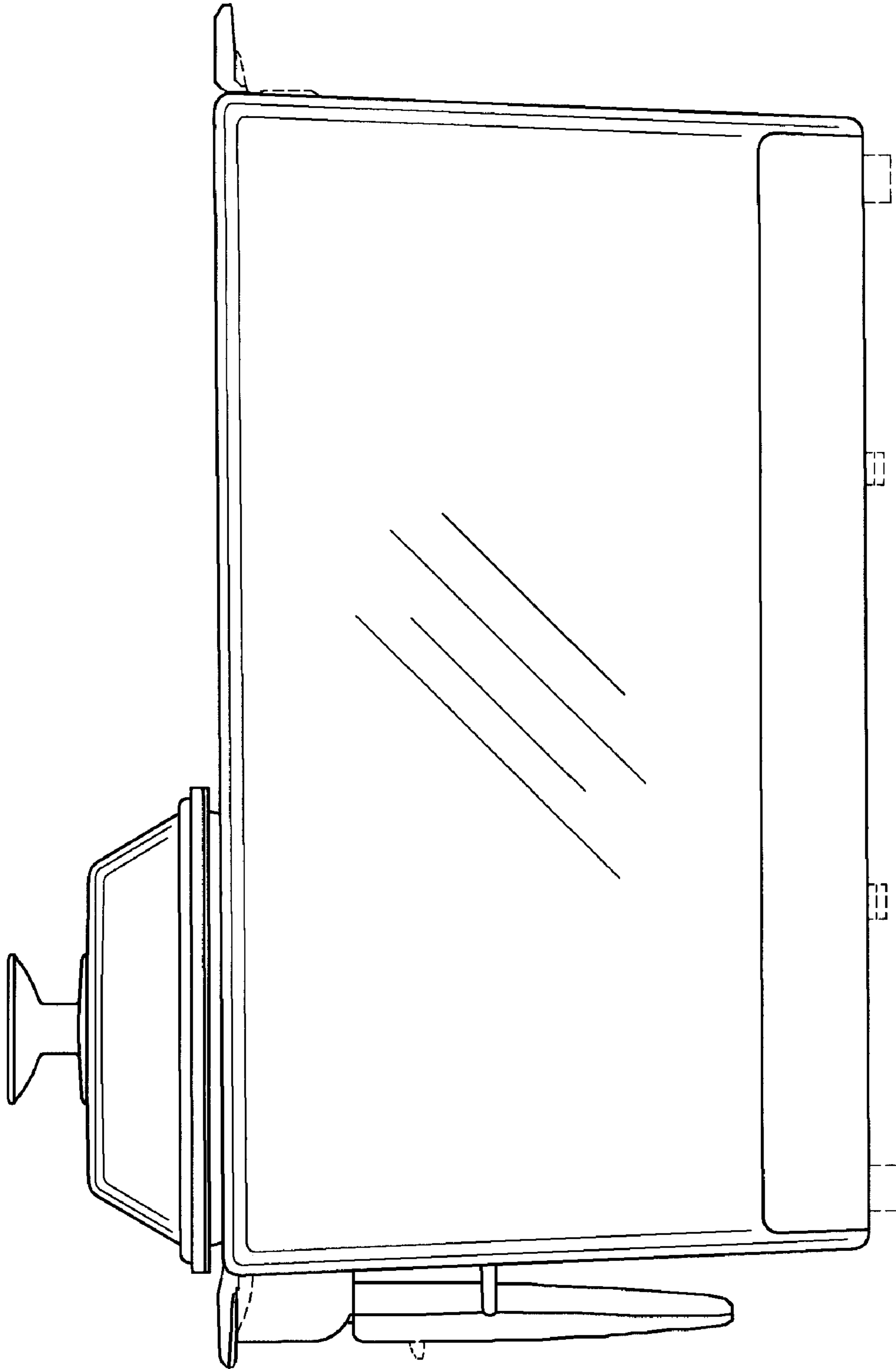


FIG. 5

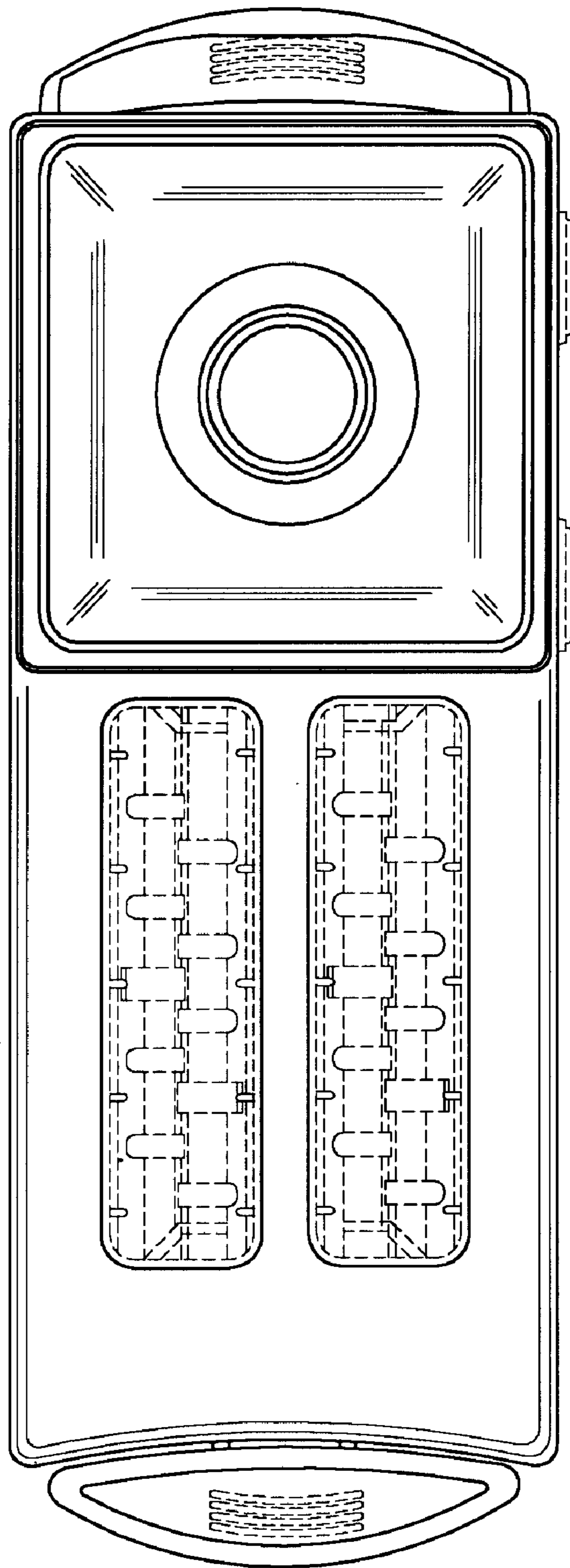


FIG. 6

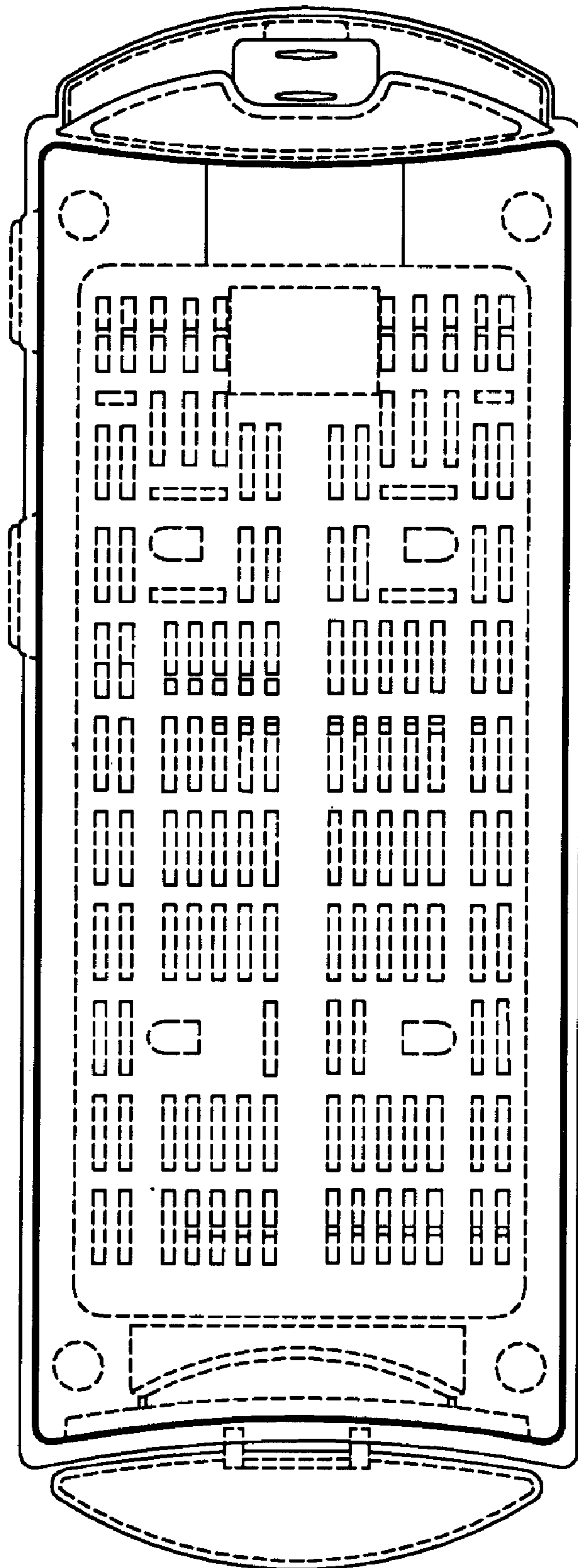


FIG. 7