

US00D547104S

(12) **United States Design Patent**
Hong

(10) **Patent No.:** **US D547,104 S**

(45) **Date of Patent:** **** Jul. 24, 2007**

(54) **DRINKING FOUNTAIN**

(75) Inventor: **Sam T. Hong**, Sparks, NV (US)

(73) Assignee: **Haws Drinking Faucet Company**,
Sparks, NV (US)

(**) Term: **14 Years**

(21) Appl. No.: **29/252,622**

(22) Filed: **Jan. 25, 2006**

(51) **LOC (8) Cl.** **31-00**

(52) **U.S. Cl.** **D7/304**

(58) **Field of Classification Search** D7/300,
D7/304, 306; D23/201, 213, 271, 284, 292,
D23/293.1; 4/619, 632; 239/16, 17, 20,
239/24, 25, 28, 29, 29.3

See application file for complete search history.

(56) **References Cited**

U.S. PATENT DOCUMENTS

- D76,700 S * 10/1928 Nash D23/293.1
- D172,710 S * 7/1954 Freitag et al. D7/304
- D212,225 S * 9/1968 Robare D23/293.1
- D224,573 S * 8/1972 Hauser D7/304
- D244,291 S * 5/1977 Baker D23/293.1
- D261,518 S * 10/1981 Butter et al. D7/304
- D276,869 S * 12/1984 Doman D7/304

- D353,739 S * 12/1994 Stein D7/304
- D355,949 S * 2/1995 Laughton D23/284
- D366,384 S * 1/1996 Stein D7/304
- D414,370 S * 9/1999 Shy D7/304
- D475,441 S * 6/2003 Kundig D23/293.1
- 2005/0023499 A1 * 2/2005 Hong 251/321

* cited by examiner

Primary Examiner—T. Chase Nelson

Assistant Examiner—Karen Acker

(74) *Attorney, Agent, or Firm*—Kelly Lowry & Kelley, LLP;
Stuart O. Lowry

(57) **CLAIM**

The ornamental design for a drinking fountain, as shown.

DESCRIPTION

FIG. 1 is a perspective view showing the front, top and right sides of a drinking fountain embodying the new design;

FIG. 2 is a front elevation view thereof;

FIG. 3 is a rear elevation view thereof;

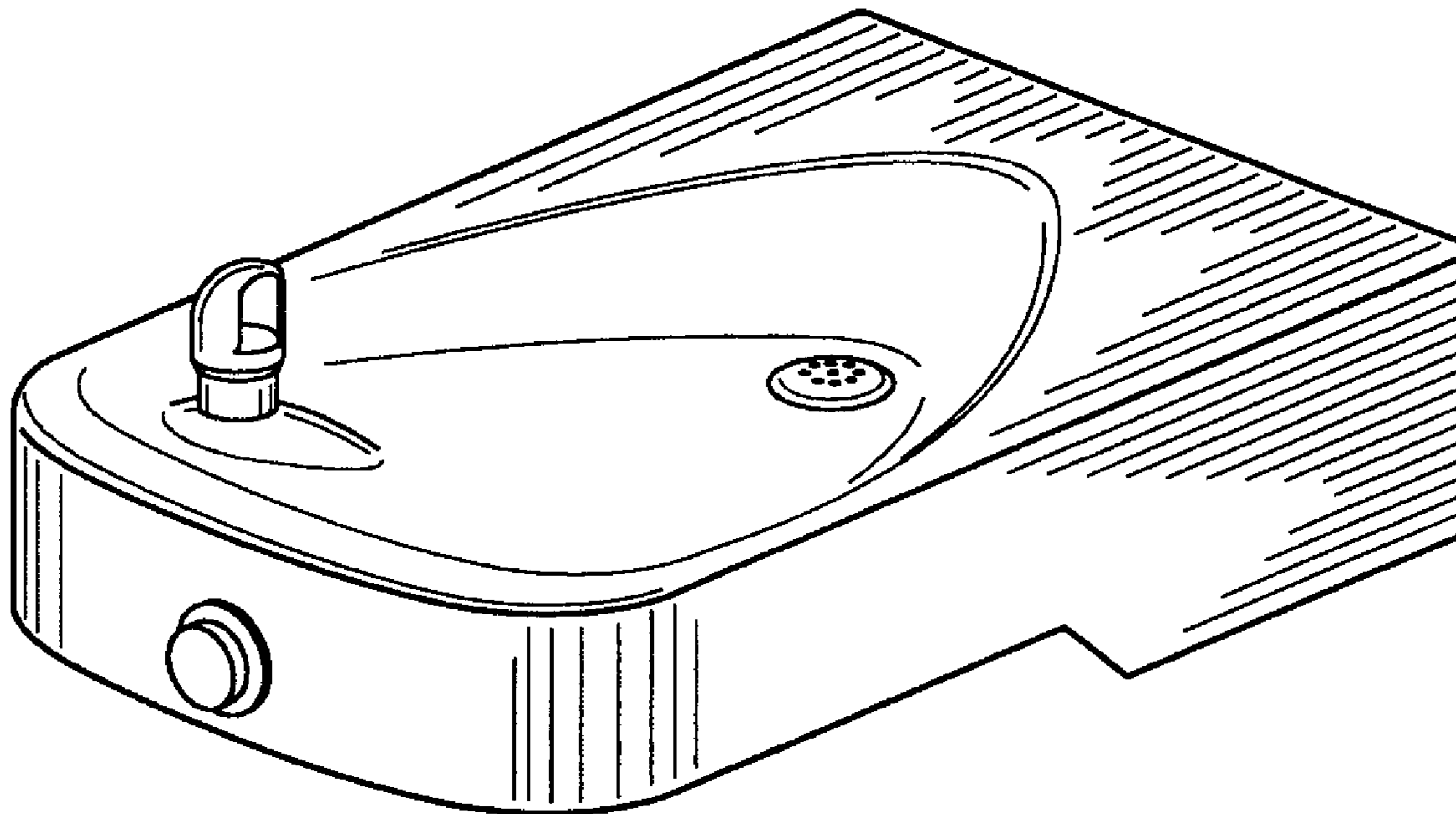
FIG. 4 is a right side elevation view thereof;

FIG. 5 is a left side elevation view thereof;

FIG. 6 is a top plan view thereof; and,

FIG. 7 is a bottom plan view thereof.

1 Claim, 2 Drawing Sheets



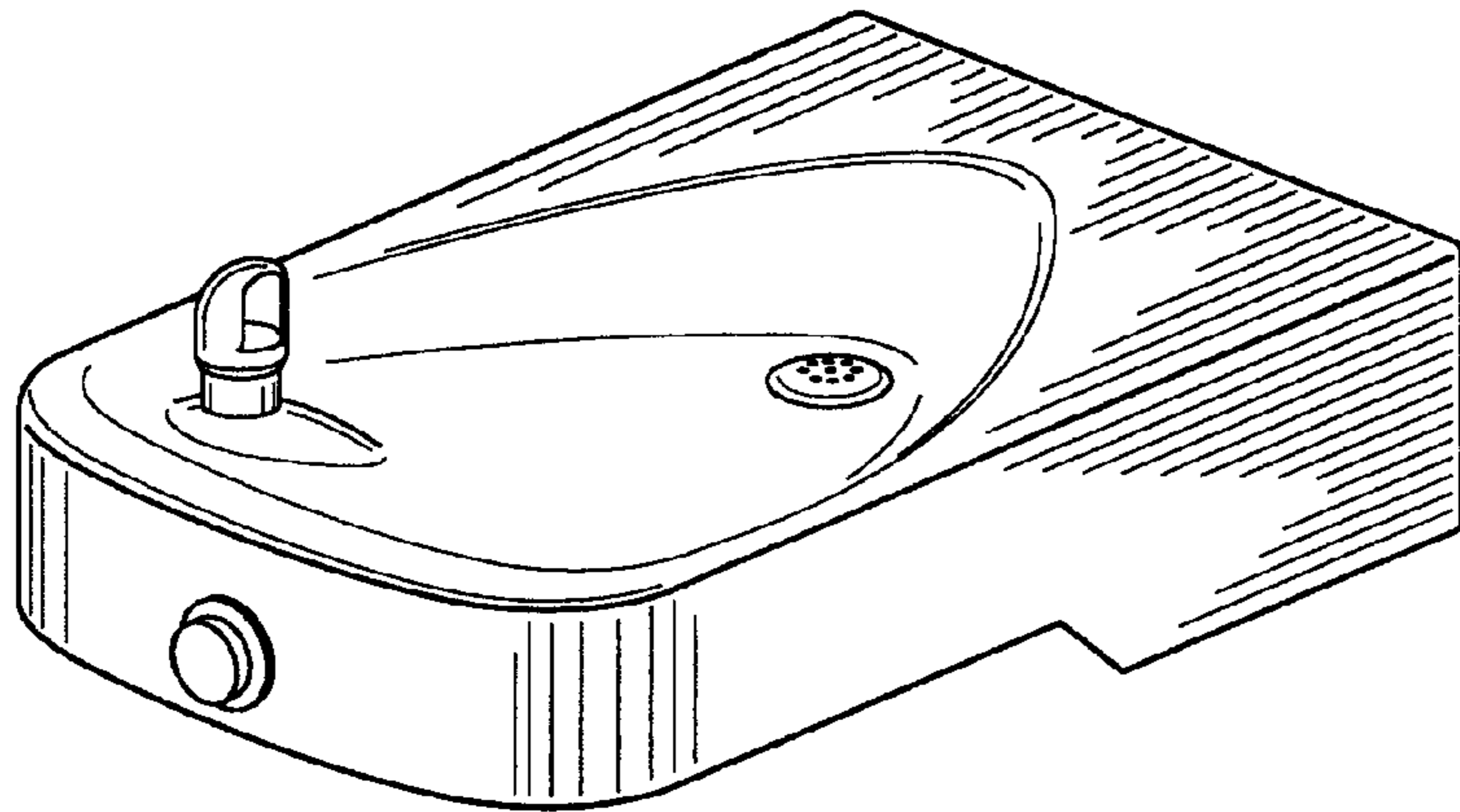


FIG. 1

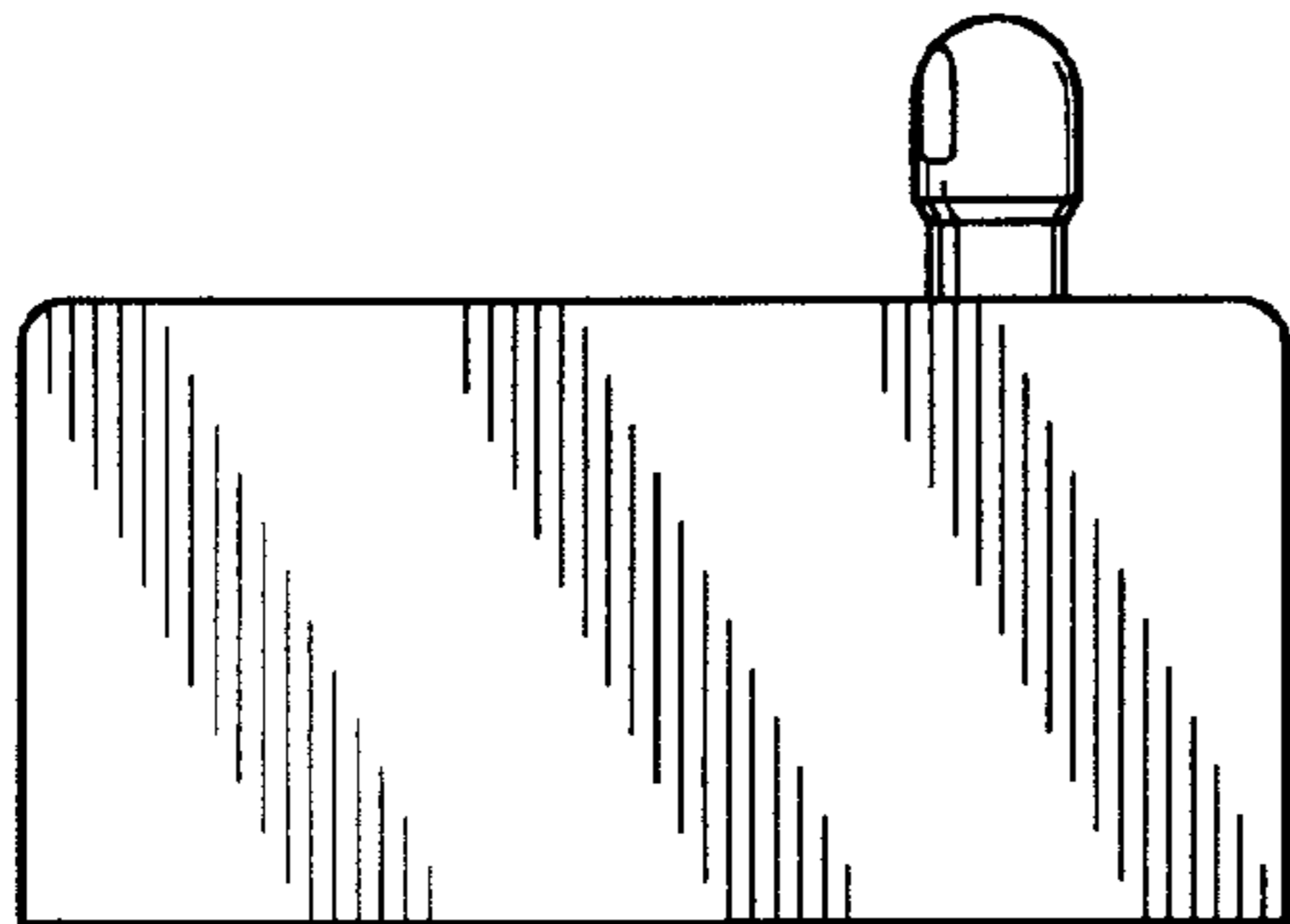


FIG. 3

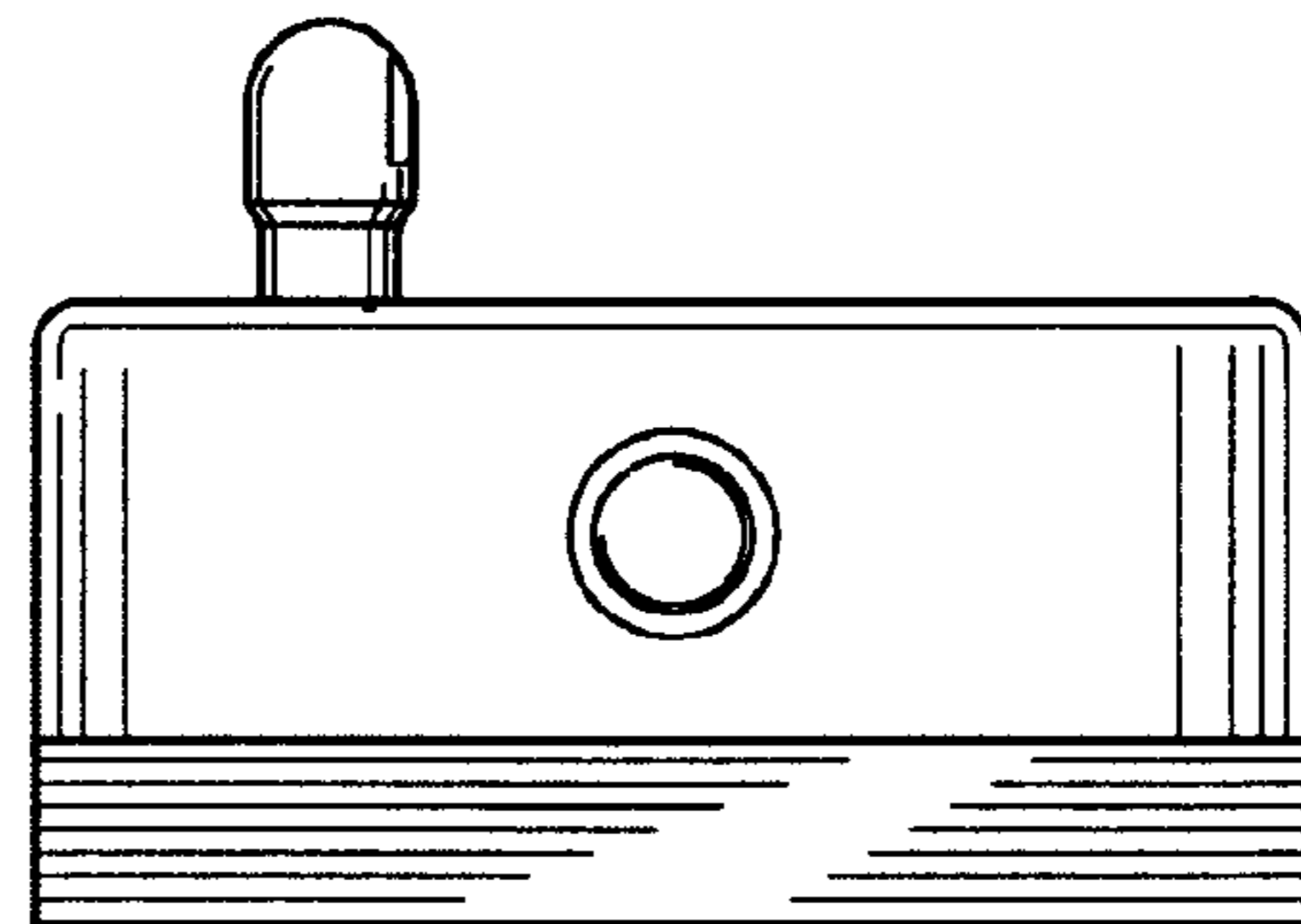


FIG. 2



FIG. 4

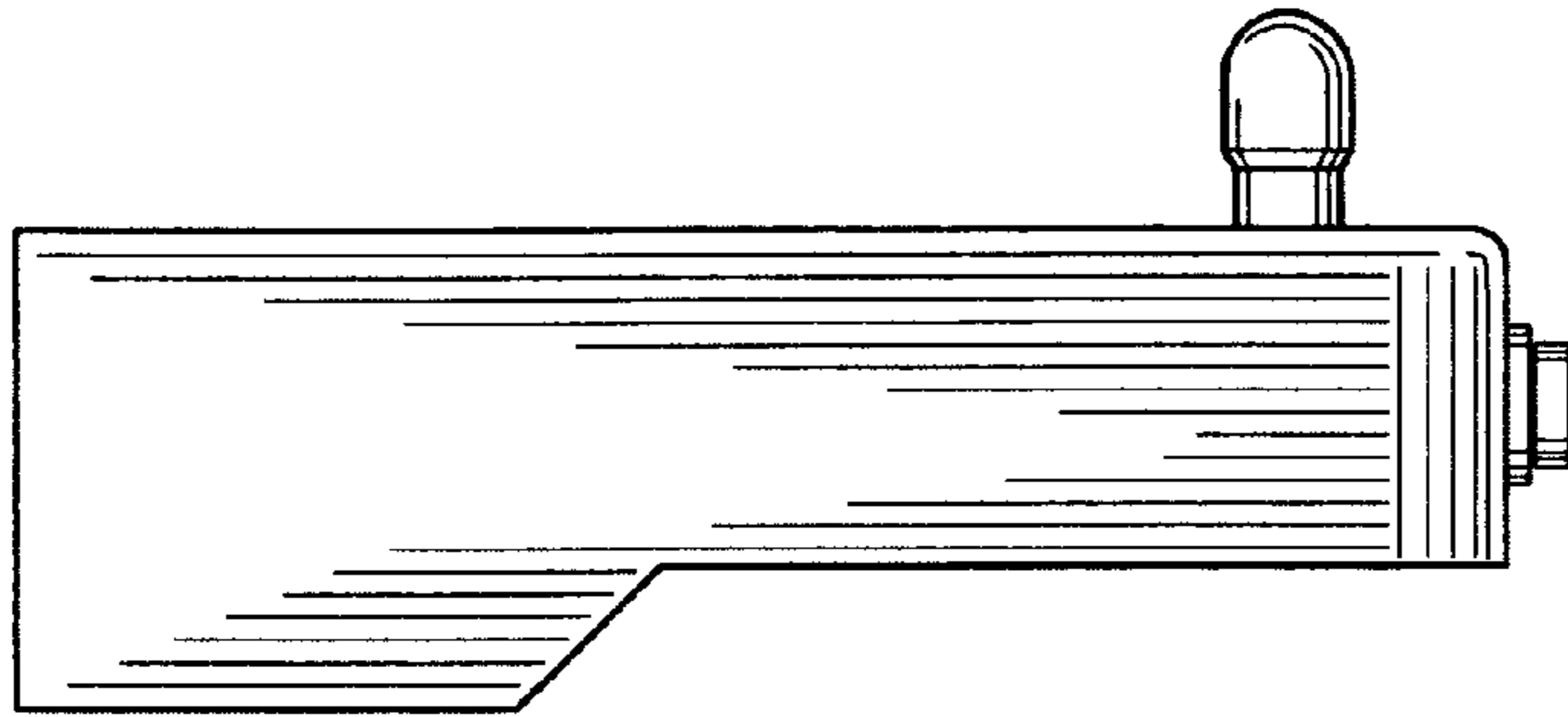


FIG. 5

FIG. 6

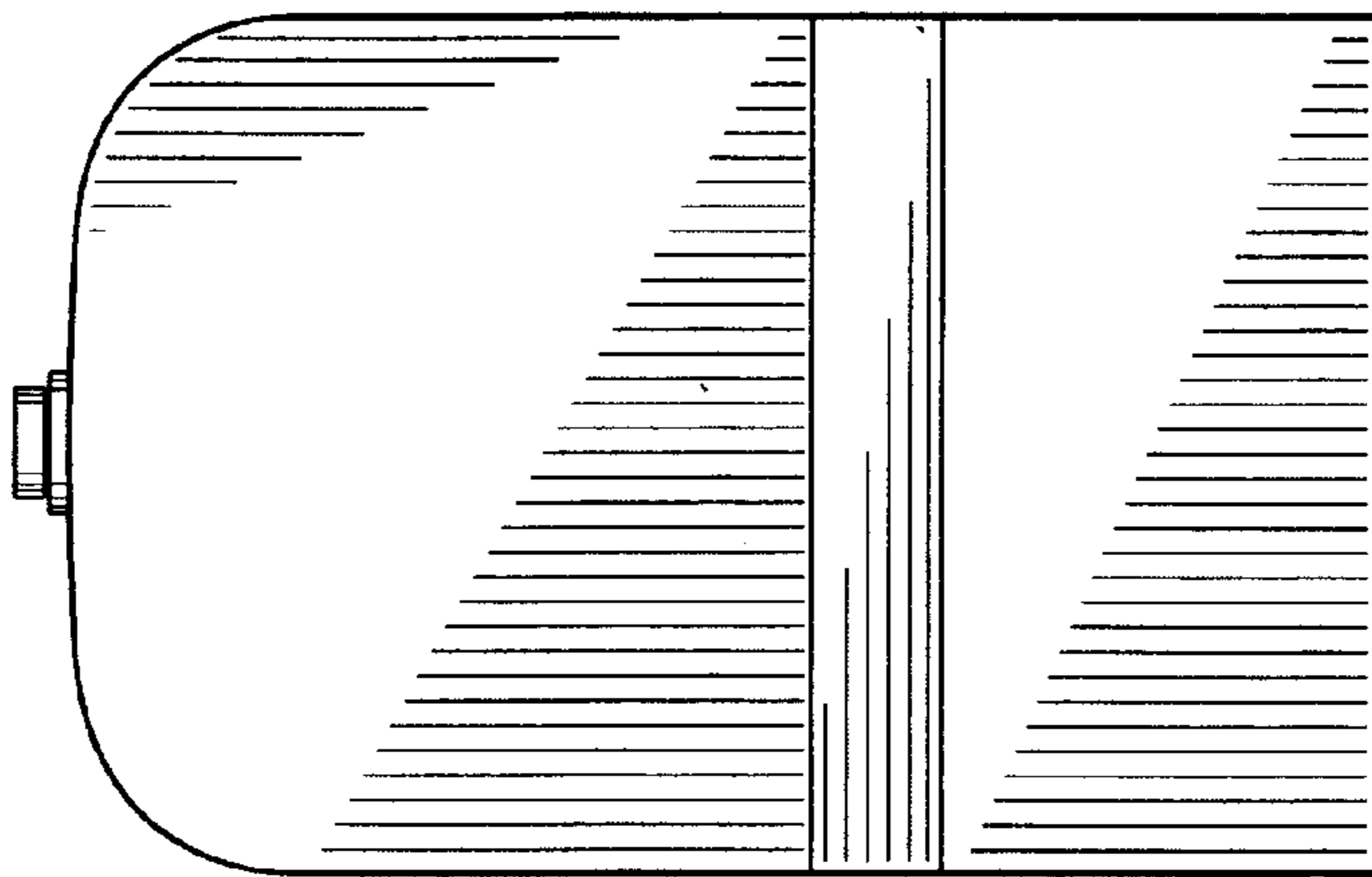
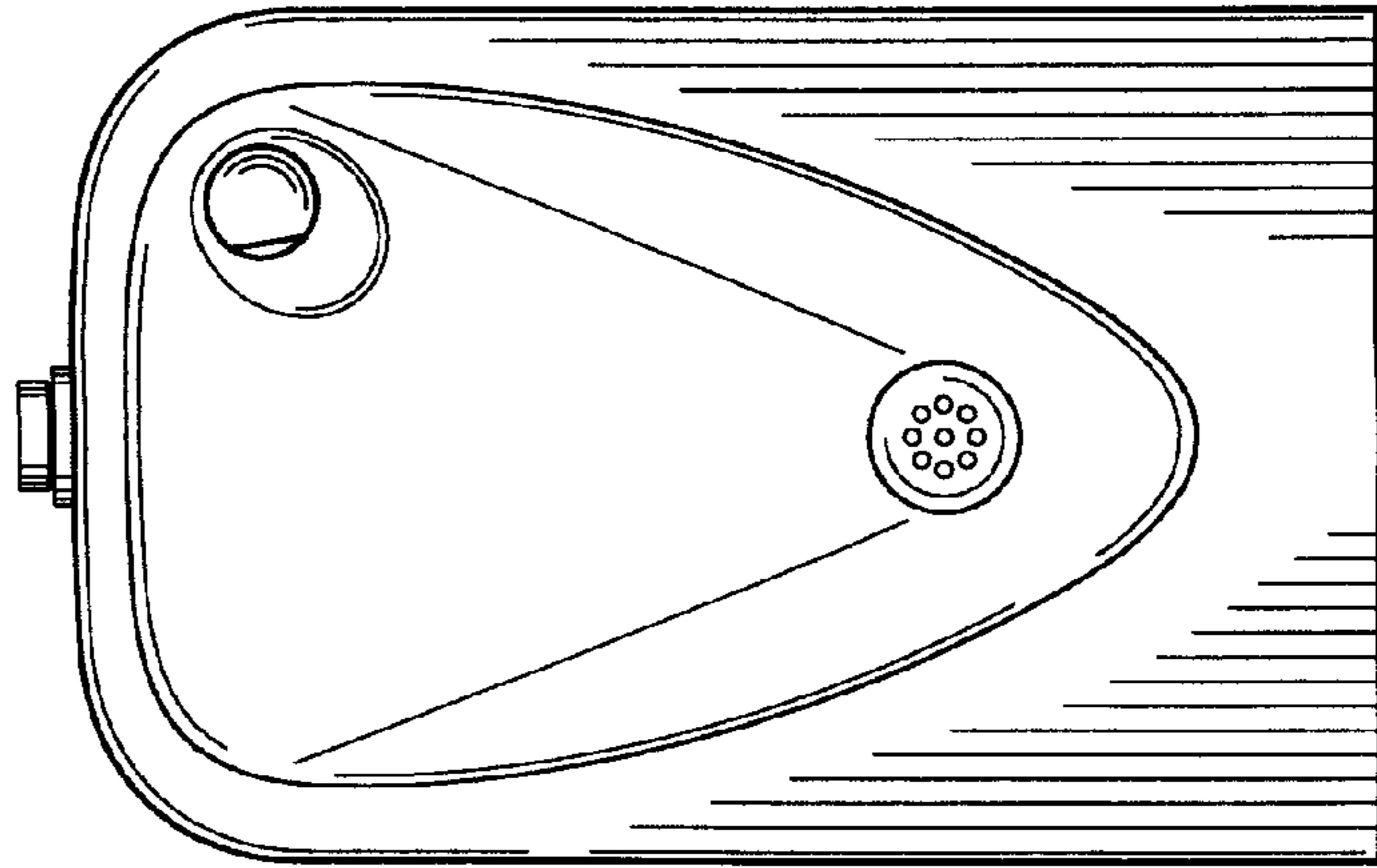


FIG. 7