



US00D547103S

(12) **United States Design Patent**  
**Huang**

(10) **Patent No.:** **US D547,103 S**

(45) **Date of Patent:** **\*\* Jul. 24, 2007**

(54) **PORTABLE CD/DVD CARRYING CASE**

(76) Inventor: **Michael Huang**, 5001 Commerce Dr.,  
Baldwin Park, CA (US) 91706

(\*\*) Term: **14 Years**

(21) Appl. No.: **29/252,989**

(22) Filed: **Jan. 31, 2006**

**Related U.S. Application Data**

(62) Division of application No. 29/222,355, filed on Jan. 28,  
2005, now Pat. No. Des. 533,387.

(51) **LOC (8) Cl.** ..... **06-04**

(52) **U.S. Cl.** ..... **D6/632; D6/407; D6/634;**  
**D6/635**

(58) **Field of Classification Search** ..... D3/218,  
D3/270; D6/407, 626-635; 206/18, 307.1,  
206/308.1, 308.2, 308.3, 309, 310, 311, 312,  
206/313, 445, 749; 312/9.1, 902, 9.9, 9.48,  
312/9.55, 9.64, 9.47, 9.53, 328

See application file for complete search history.

(56) **References Cited**

**U.S. PATENT DOCUMENTS**

1,482,786	A	*	2/1924	Dodson	.....	132/303
1,709,182	A	*	4/1929	McKnight et al.	.....	220/264
D167,777	S	*	9/1952	Spender	.....	D9/420
D270,389	S	*	8/1983	Lee	.....	D28/83
D280,667	S	*	9/1985	Bennett	.....	D28/7

D442,816	S	*	5/2001	Chen	.....	D6/631
D463,628	S	*	9/2002	Thorpe	.....	D28/82
D476,572	S	*	7/2003	Merritt	.....	D9/504
6,712,076	B2	*	3/2004	Alexander et al.	.....	132/300
D489,045	S	*	4/2004	Wang et al.	.....	D14/138
D489,343	S	*	5/2004	Wang et al.	.....	D14/138
D491,364	S	*	6/2004	Vish et al.	.....	D3/301
D507,078	S	*	7/2005	Greenfield	.....	D28/82
6,935,507	B1	*	8/2005	Mecca et al.	.....	206/581
D511,895	S	*	11/2005	Vish et al.	.....	D3/318
6,976,579	B2	*	12/2005	Molnar et al.	.....	206/308.1

\* cited by examiner

*Primary Examiner*—Celia A. Murphy

(74) *Attorney, Agent, or Firm*—Chan Law Group LLP

(57) **CLAIM**

The ornamental design for a portable CD/DVD carrying case, as shown and described.

**DESCRIPTION**

FIG. 1 is a top perspective view of a portable CD/DVD carrying case showing my new design.

FIG. 2 is a right side view thereof;

FIG. 3 is a bottom view of FIG. 1.

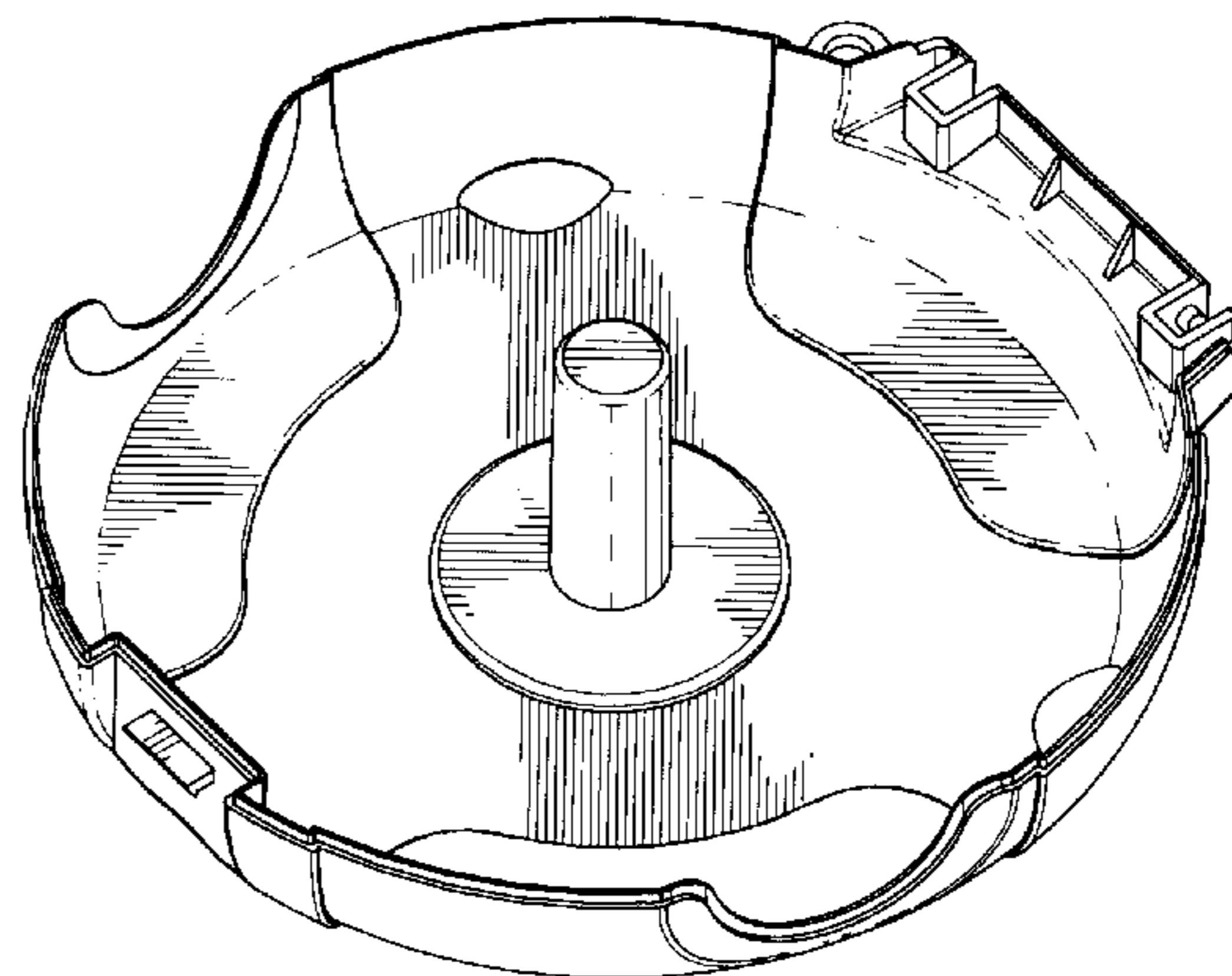
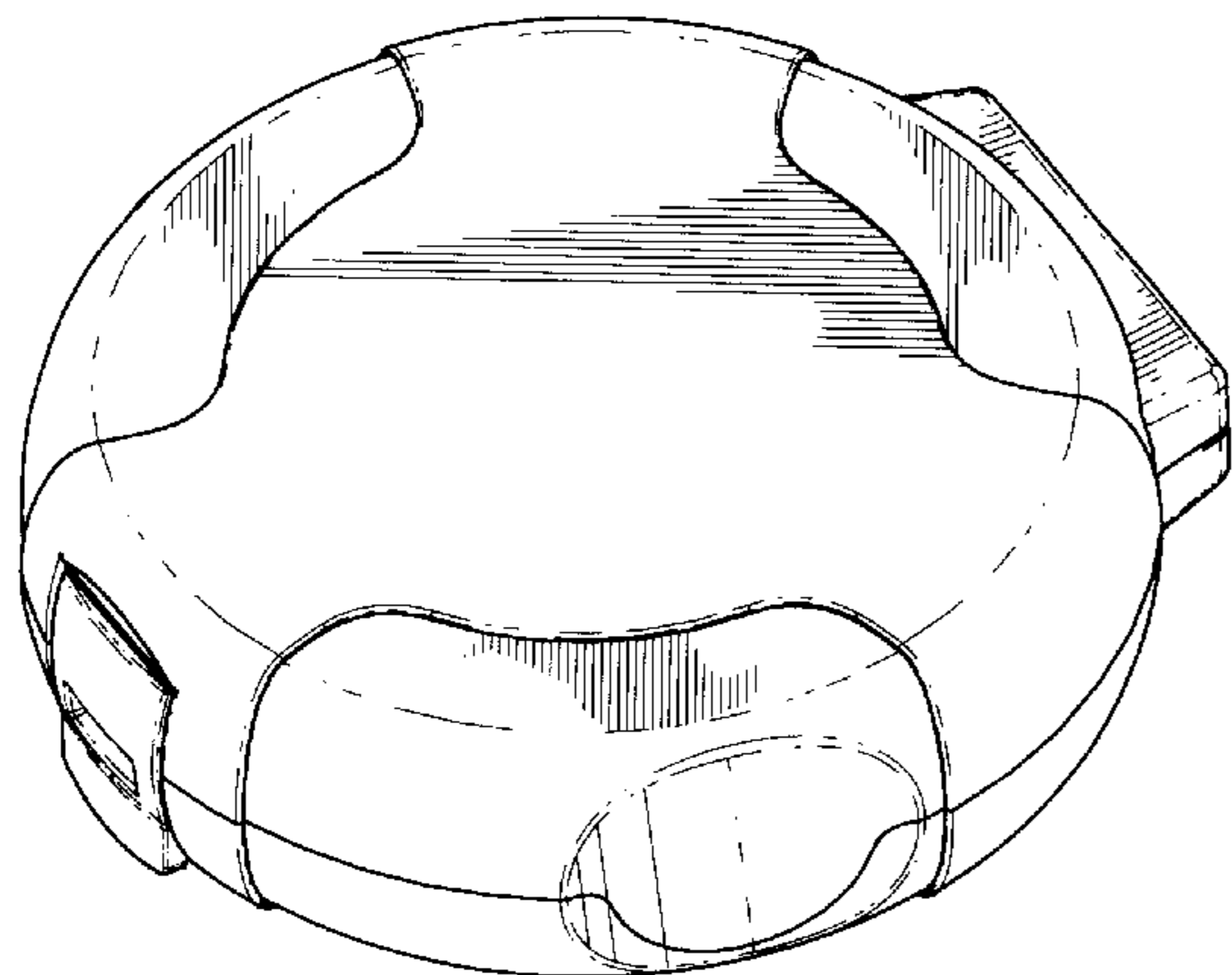
FIG. 4 is a side view of FIG. 1.

FIG. 5 is a rear view of FIG. 1.

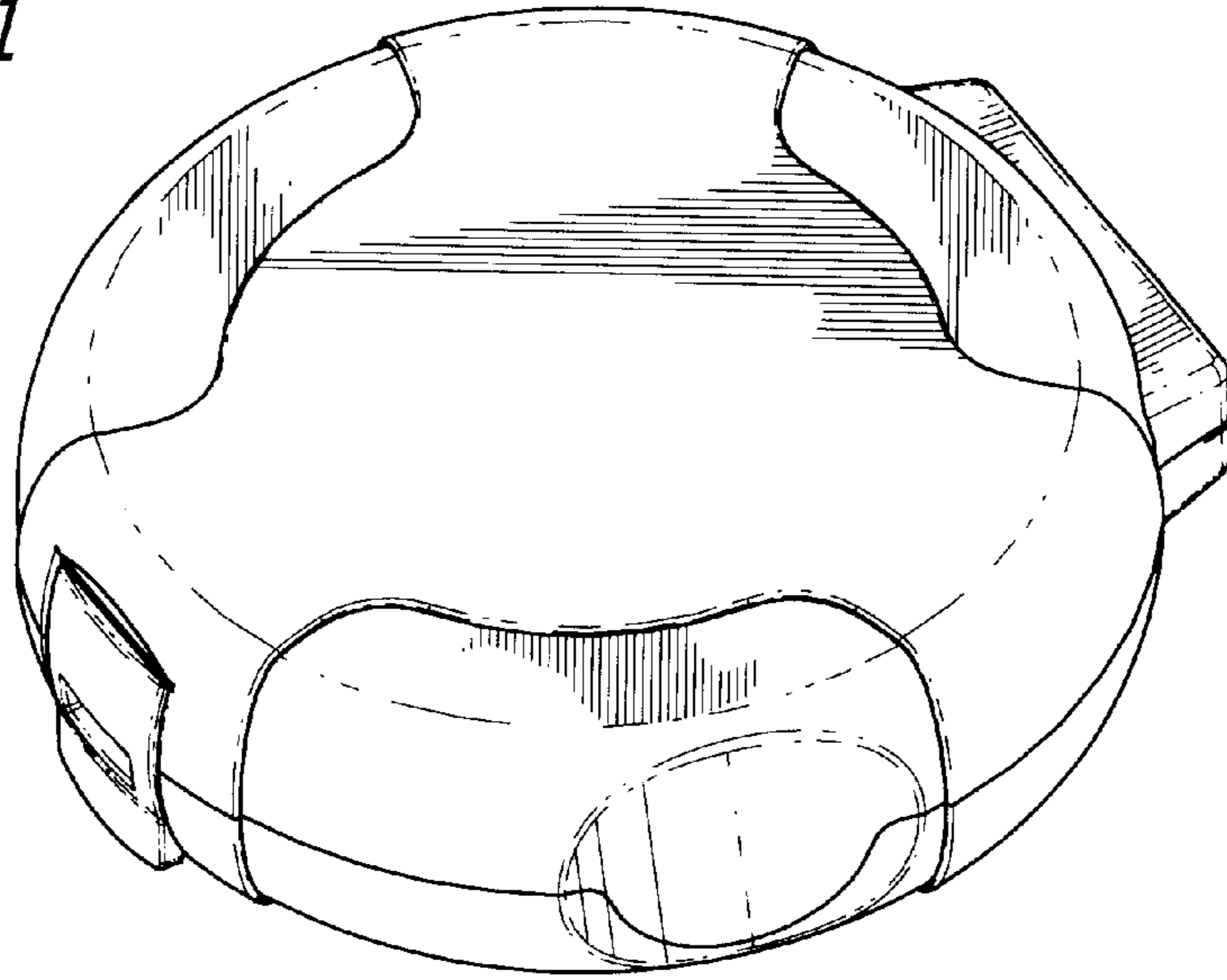
FIG. 6 is a front view of FIG. 1; and,

FIG. 7 is an inside perspective view of the bottom half thereof, the top being removed for convenience of illustration.

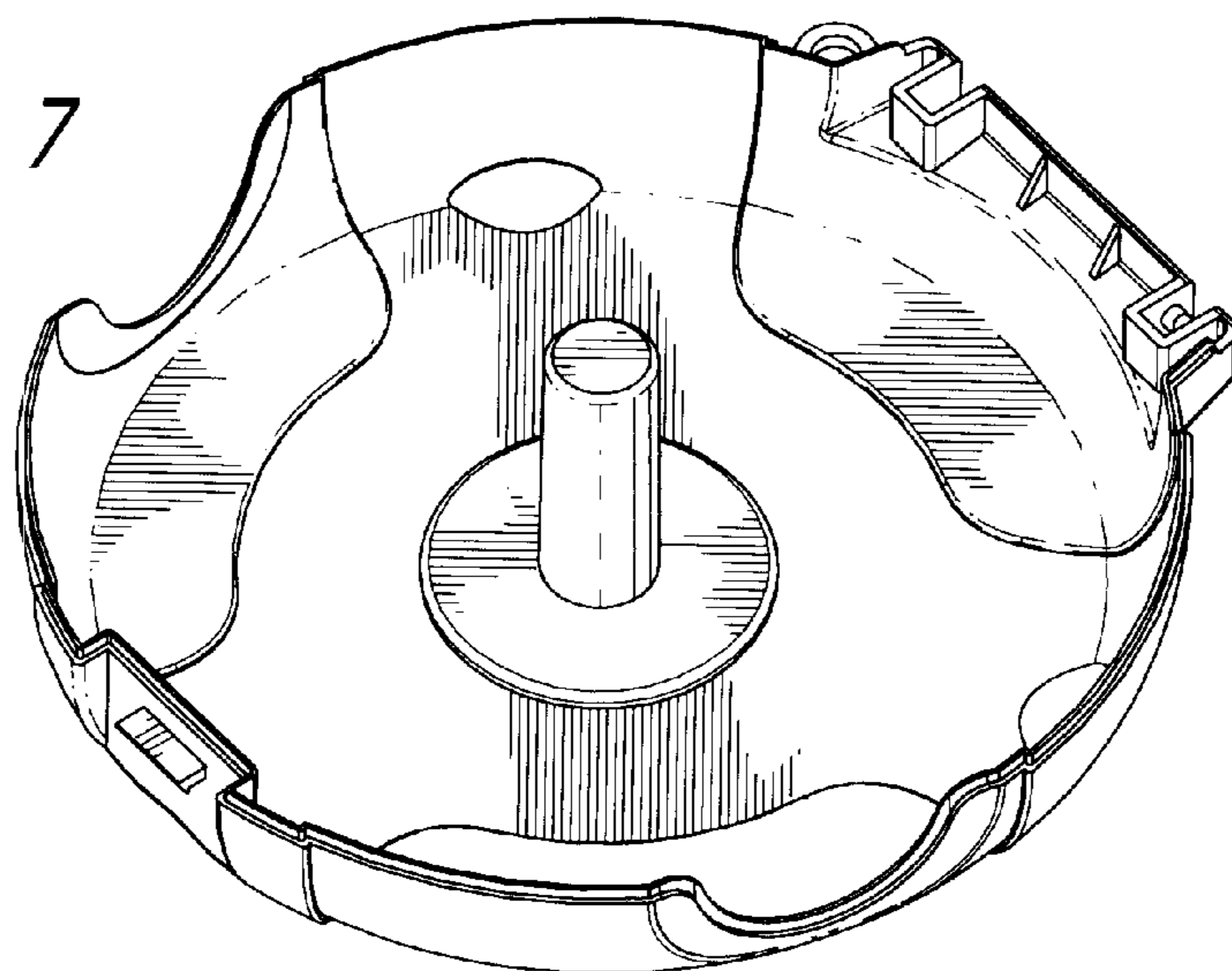
**1 Claim, 3 Drawing Sheets**



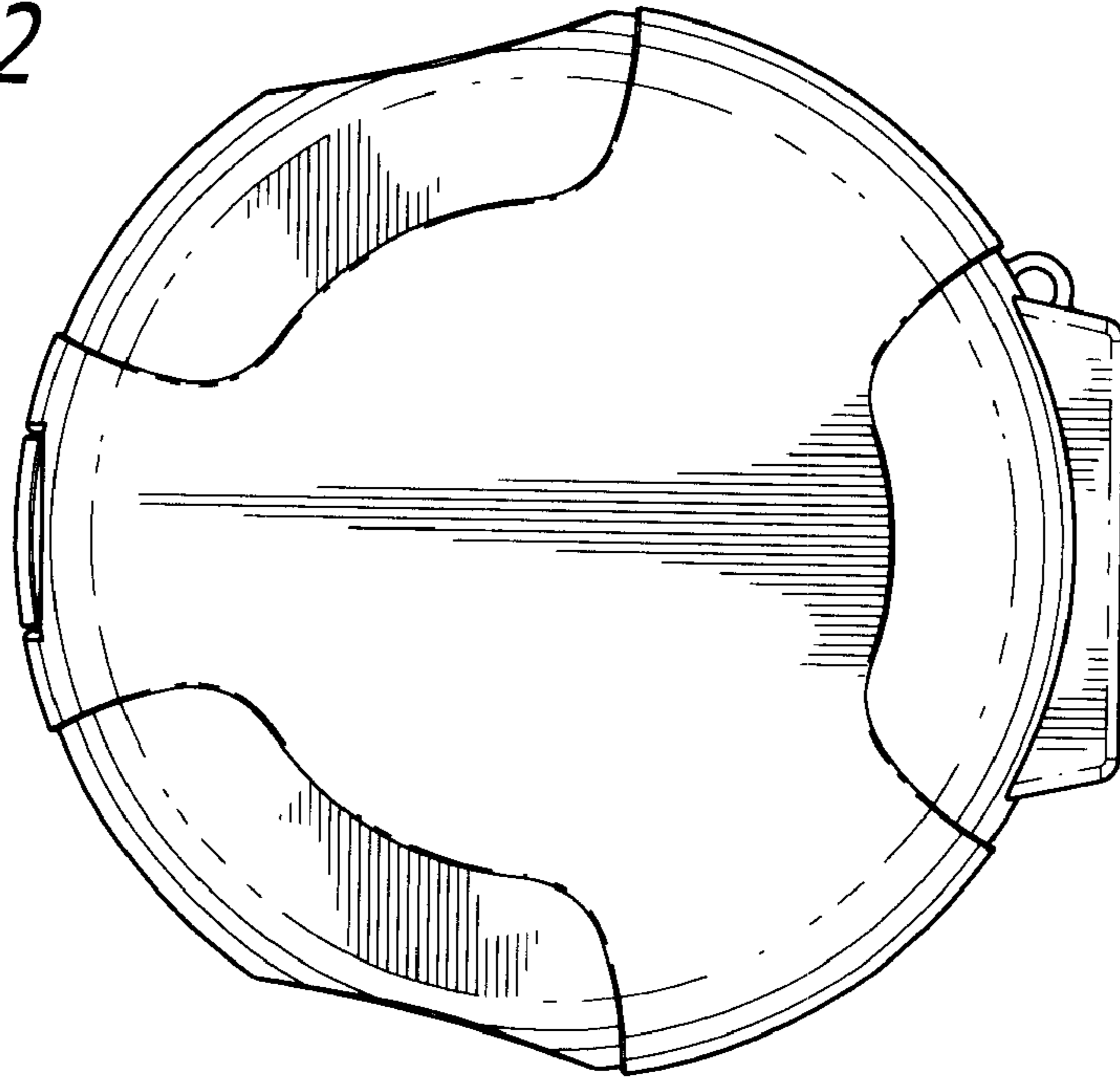
*FIG. 1*



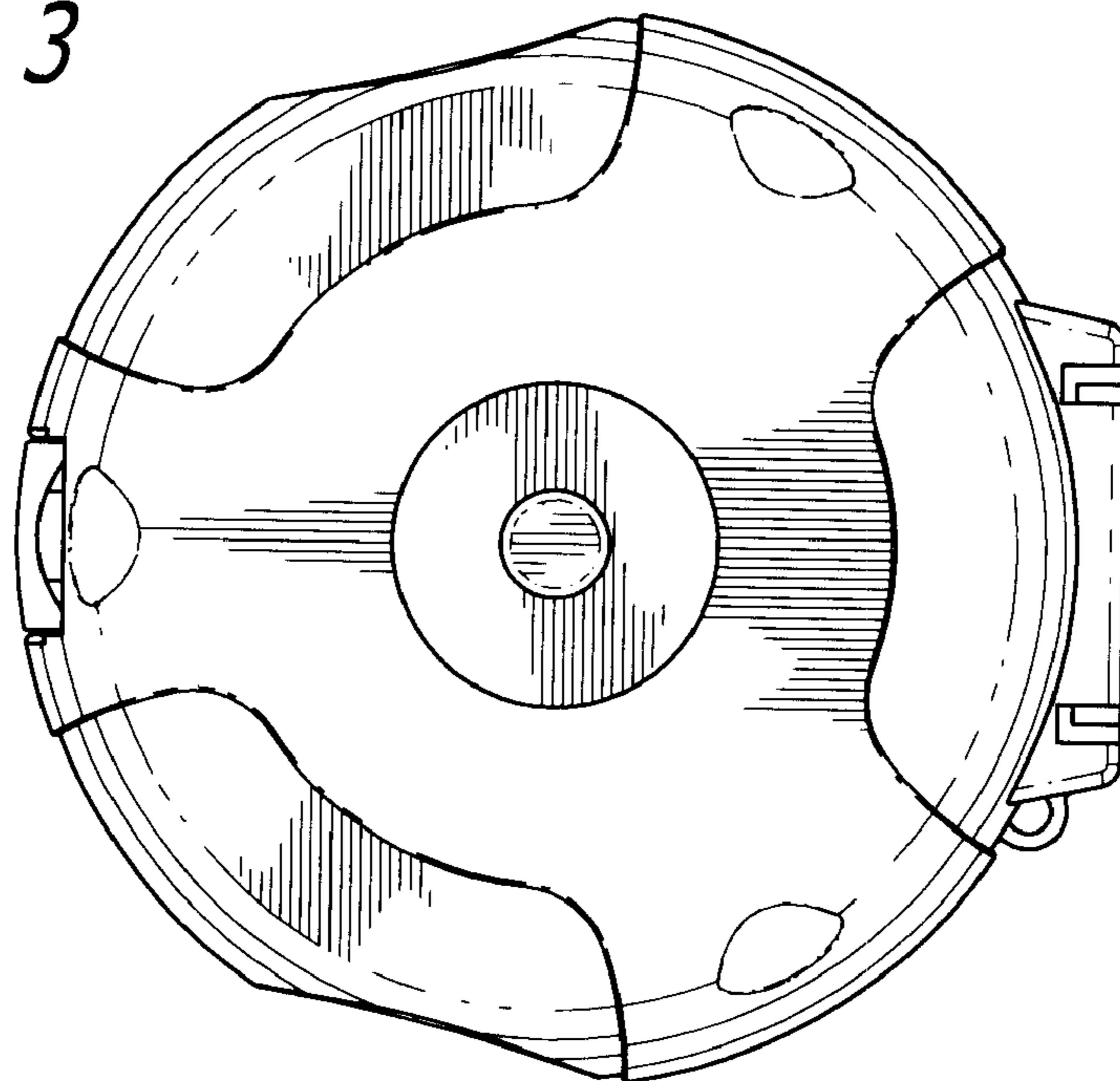
*FIG. 7*

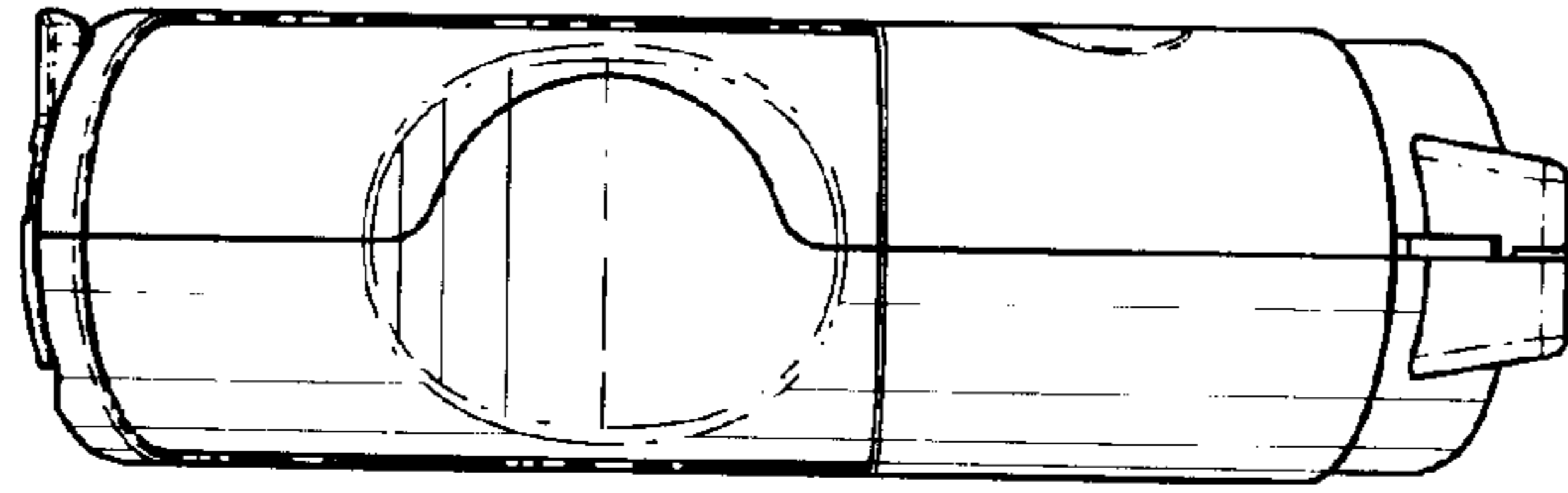


*FIG. 2*

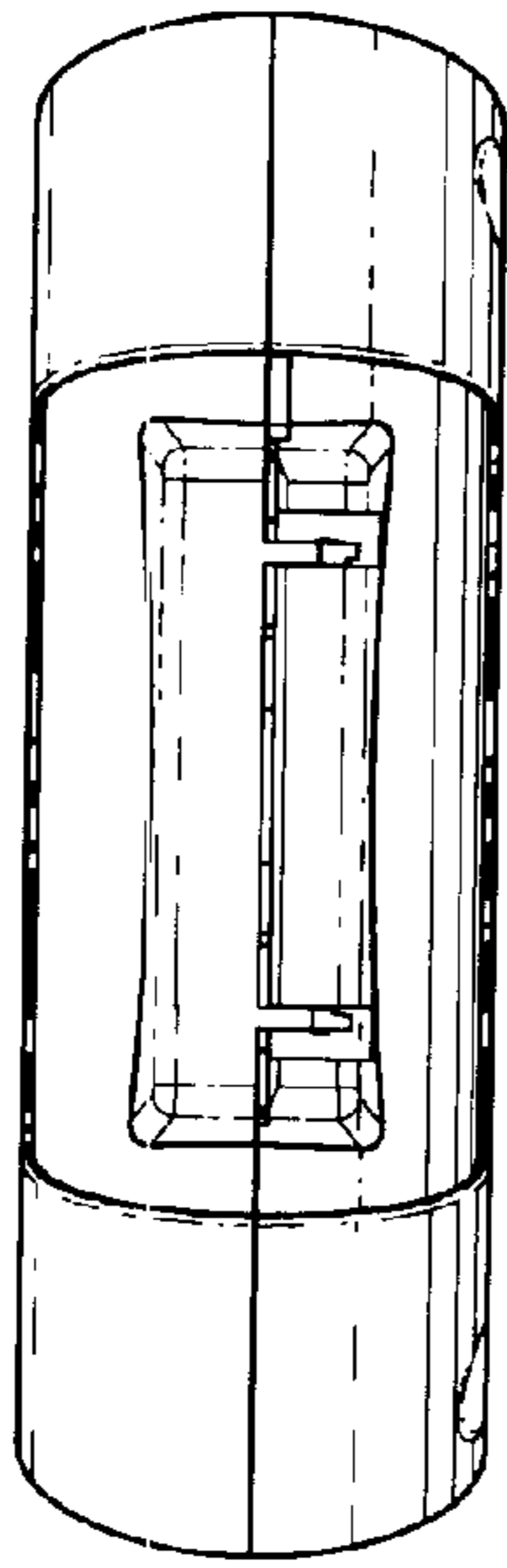


*FIG. 3*

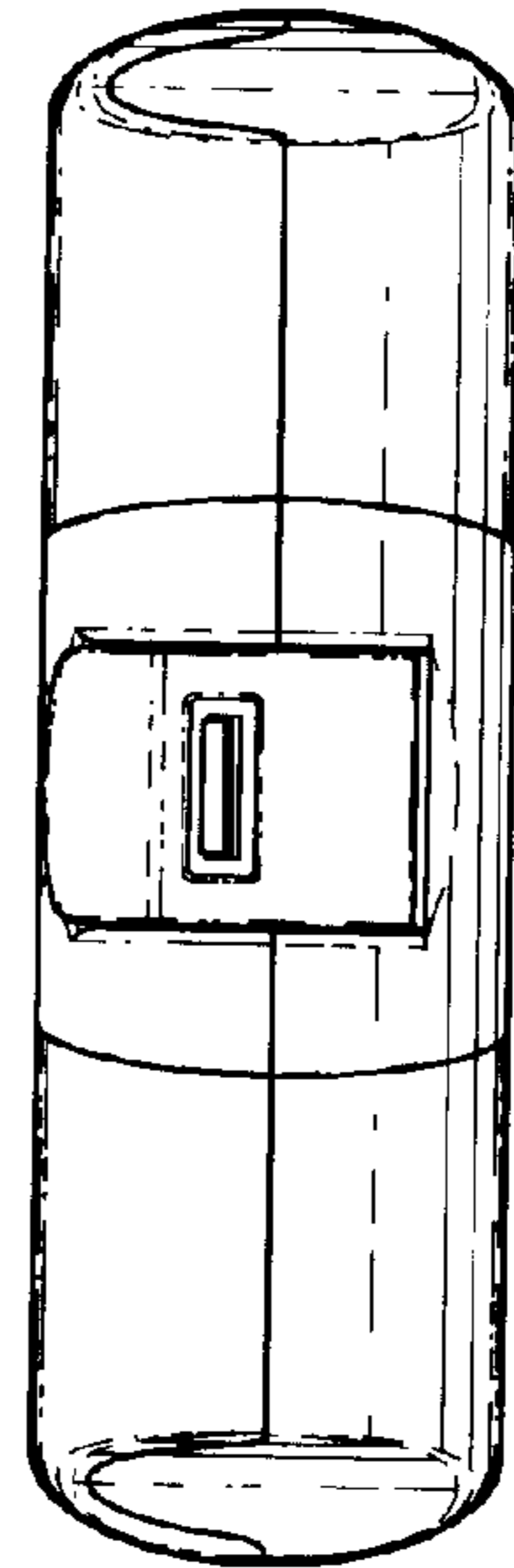




*FIG. 4*



*FIG. 5*



*FIG. 6*