

US00D547097S

(12) **United States Design Patent** (10) **Patent No.:** **US D547,097 S**  
**Bastian et al.** (45) **Date of Patent:** **\*\* Jul. 24, 2007**

(54) **PORTION OF FURNITURE**

D465,359 S \* 11/2002 Kolberg ..... D6/495  
D483,968 S \* 12/2003 King et al. .... D6/511  
D508,343 S \* 8/2005 Pflaster ..... D6/425

(75) Inventors: **John M. Bastian**, Manitowoc, WI  
(US); **Maurice Michaud**, Green Bay,  
WI (US)

\* cited by examiner

(73) Assignee: **Fisher Hamilton L.L.C.**, Two Rivers,  
WI (US)

*Primary Examiner*—Janice Seeger  
(74) *Attorney, Agent, or Firm*—Wood, Herron & Evans,  
LLP

(\*\*) Term: **14 Years**

(57) **CLAIM**

(21) Appl. No.: **29/246,168**

The ornamental design for a portion of furniture, as shown  
and described.

(22) Filed: **Mar. 3, 2006**

(51) **LOC (8) Cl.** ..... **06-06**

(52) **U.S. Cl.** ..... **D6/491; D6/495; D6/511**

(58) **Field of Classification Search** ..... D6/480–489,  
D6/495–499, 422–426, 491, 511, 477–479,  
D6/473, 474, 421; 108/150, 153.1, 155,  
108/156, 157.1, 161, 50.01, 50.02; 248/188,  
248/188.1; 312/196; 52/220.7, 239

See application file for complete search history.

**DESCRIPTION**

The present application is related to U.S. Ser. No. 11/276,  
525, entitled Modular Furniture System, filed on even date  
herewith.

FIG. 1 is a perspective view of the front, right and top of a  
portion of furniture incorporating the design of our new  
invention with environment shown in broken lines;

FIG. 2 is an enlarged perspective view of the portion of  
furniture shown in FIG. 1;

FIG. 3 is a front elevational view thereof;

FIG. 4 is a left side elevational view thereof;

FIG. 5 is a right side elevational view thereof;

FIG. 6 is a rear elevational view thereof;

FIG. 7 is a top plan view thereof;

FIG. 8 is a bottom plan view thereof; and,

FIG. 9 is a view similar to FIG. 1 of a portion of furniture  
with alternative environment shown in broken lines.

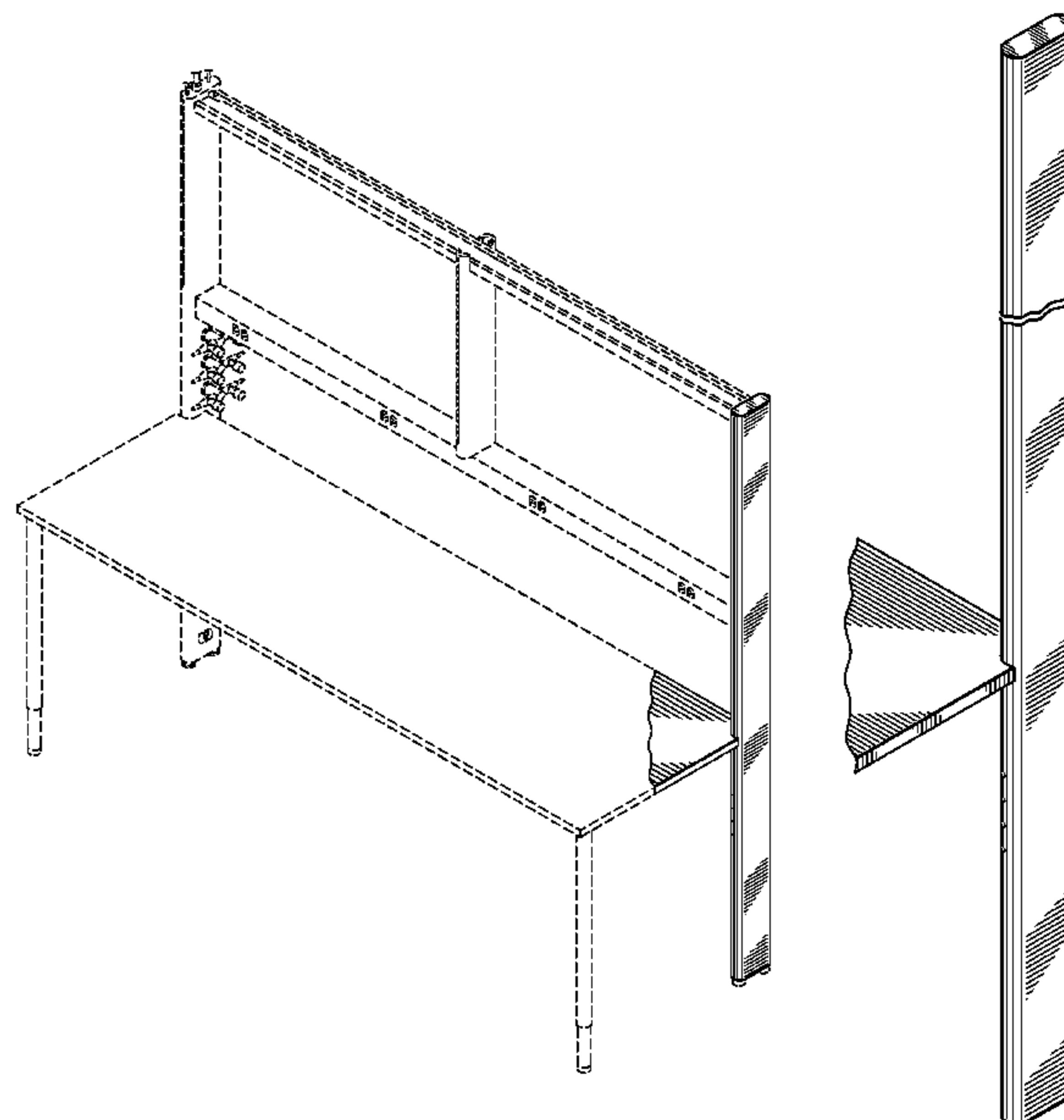
The features of the portion of furniture shown in broken  
lines are for illustrative purposes only and form no part of  
the claimed design.

(56) **References Cited**

**U.S. PATENT DOCUMENTS**

D220,703 S \* 5/1971 Deguchi ..... D6/426  
3,650,586 A 3/1972 Nightingale et al.  
3,920,299 A 11/1975 Propst et al.  
4,002,383 A 1/1977 Holloway, Jr.  
D244,913 S \* 7/1977 Brandenfels ..... D6/462  
D257,093 S \* 9/1980 Brittner ..... D6/481  
D321,447 S \* 11/1991 Newhouse ..... D6/484  
D330,940 S 11/1992 Engel  
D376,705 S \* 12/1996 Stoddard et al. .... D6/426  
5,901,513 A \* 5/1999 Mollenkopf et al. .... 52/220.7  
5,997,397 A 12/1999 Frickel et al.  
6,029,832 A 2/2000 Bastian  
6,138,583 A 10/2000 Mahone et al.  
6,374,548 B1 4/2002 Ruedinger et al.

**1 Claim, 4 Drawing Sheets**



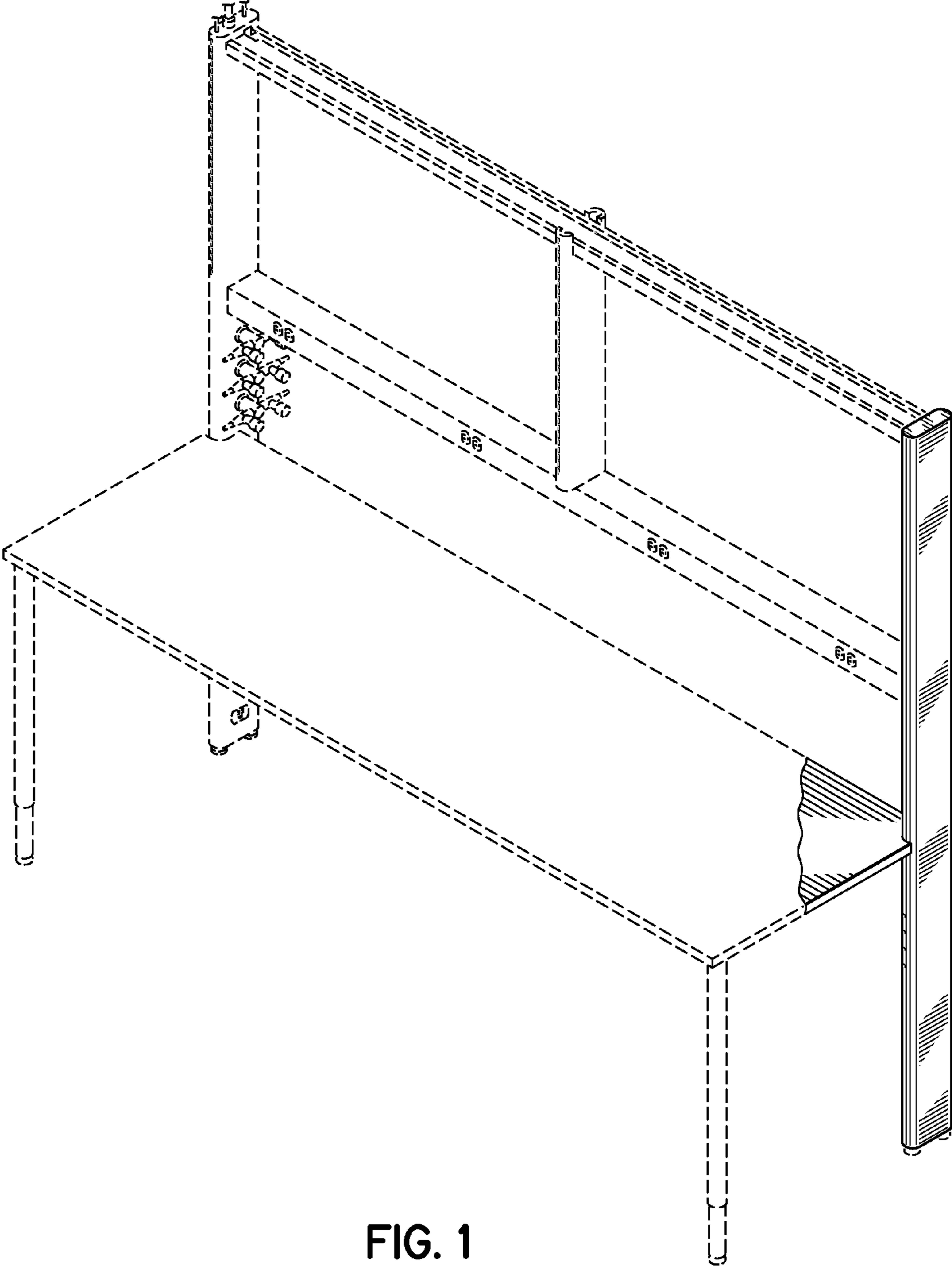


FIG. 1

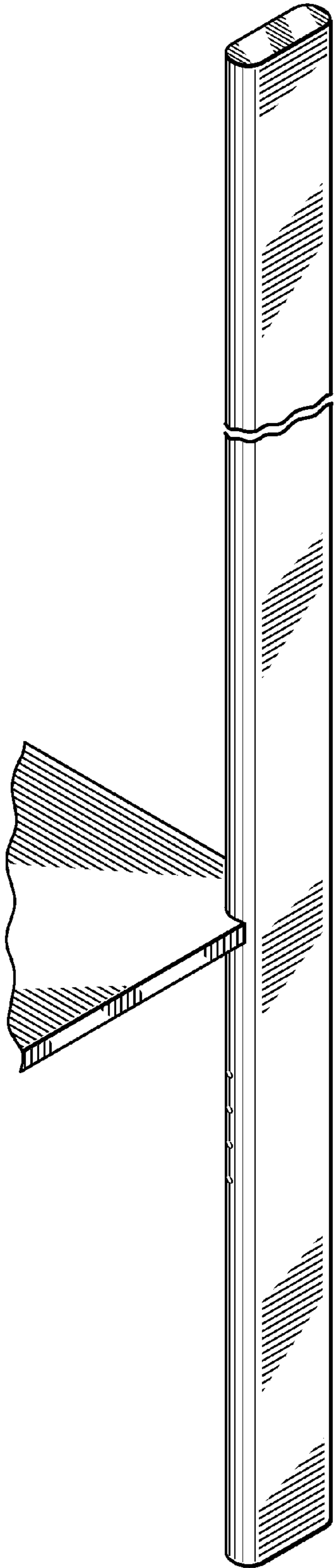


FIG. 2

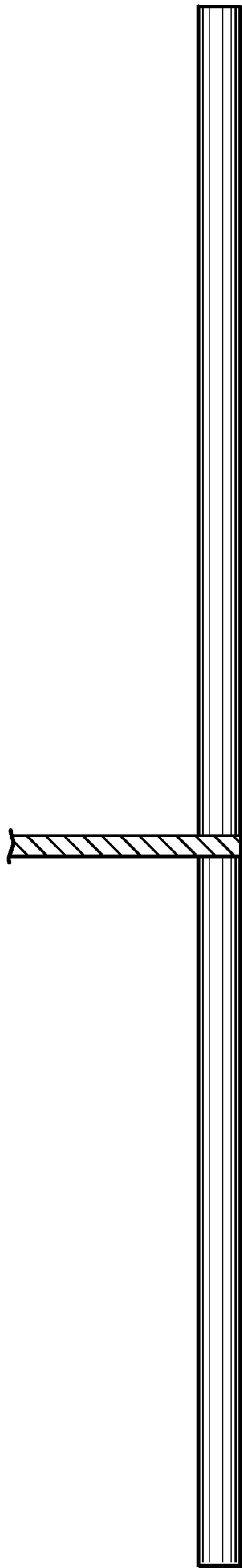


FIG. 3

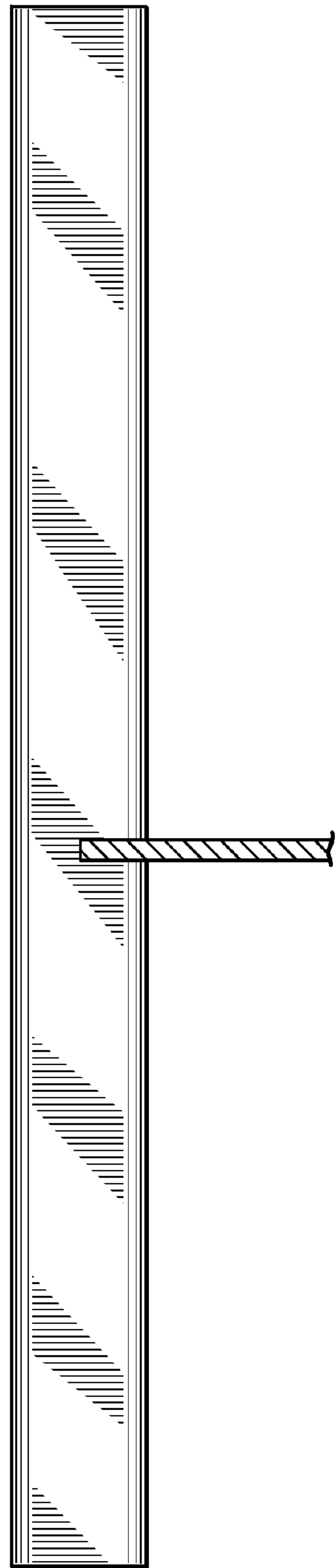


FIG. 4

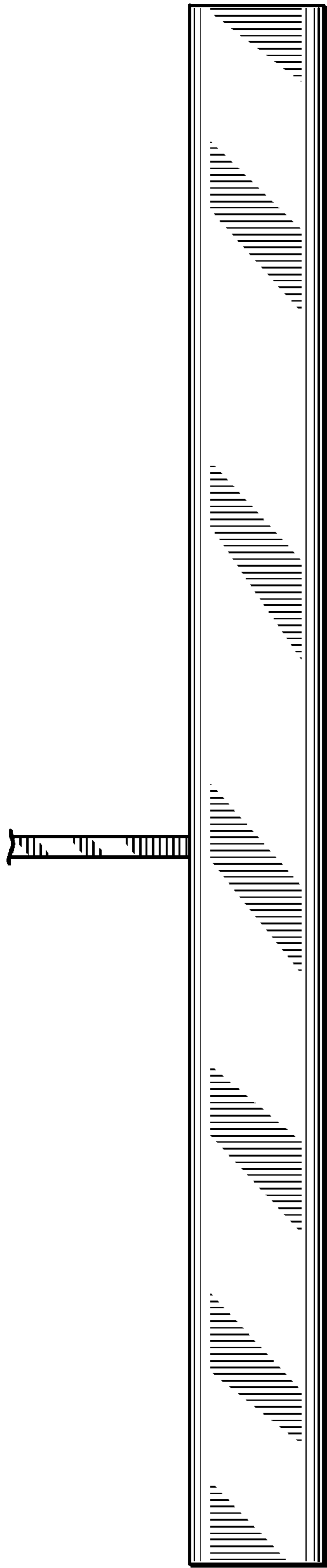


FIG. 5

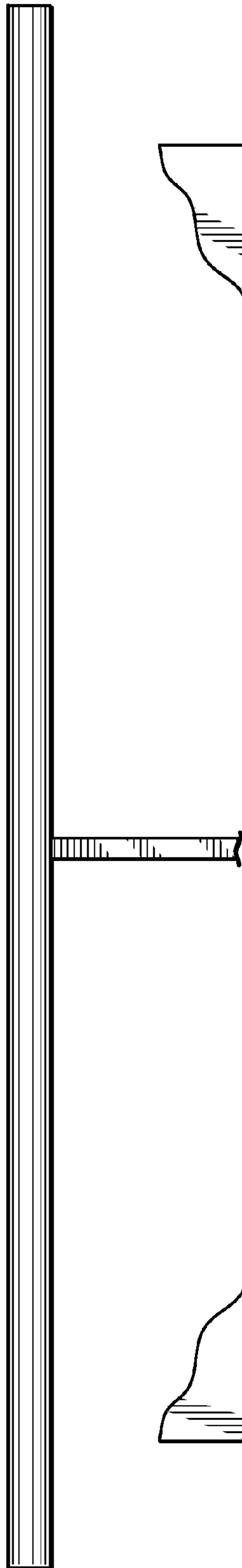


FIG. 6

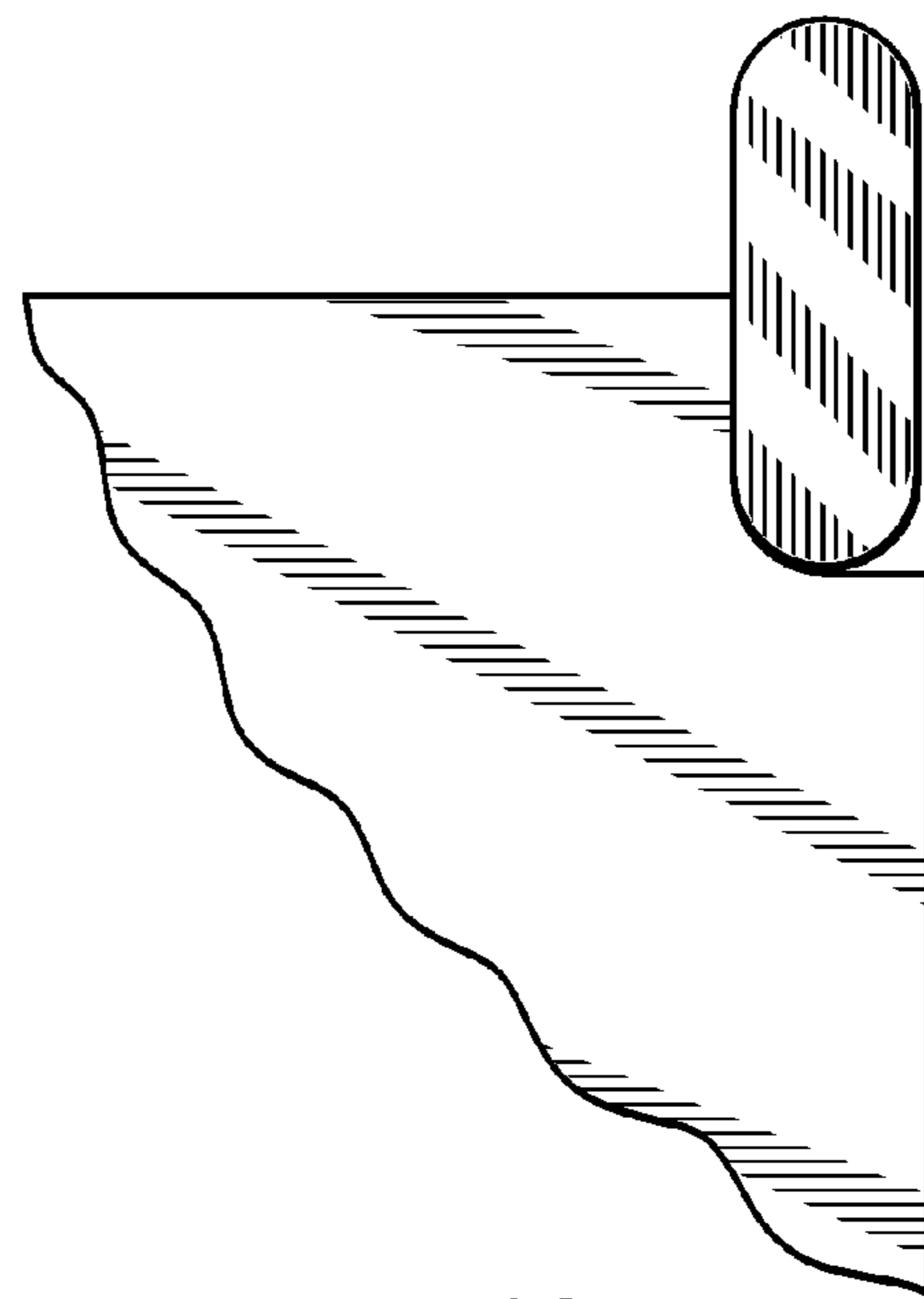


FIG. 7

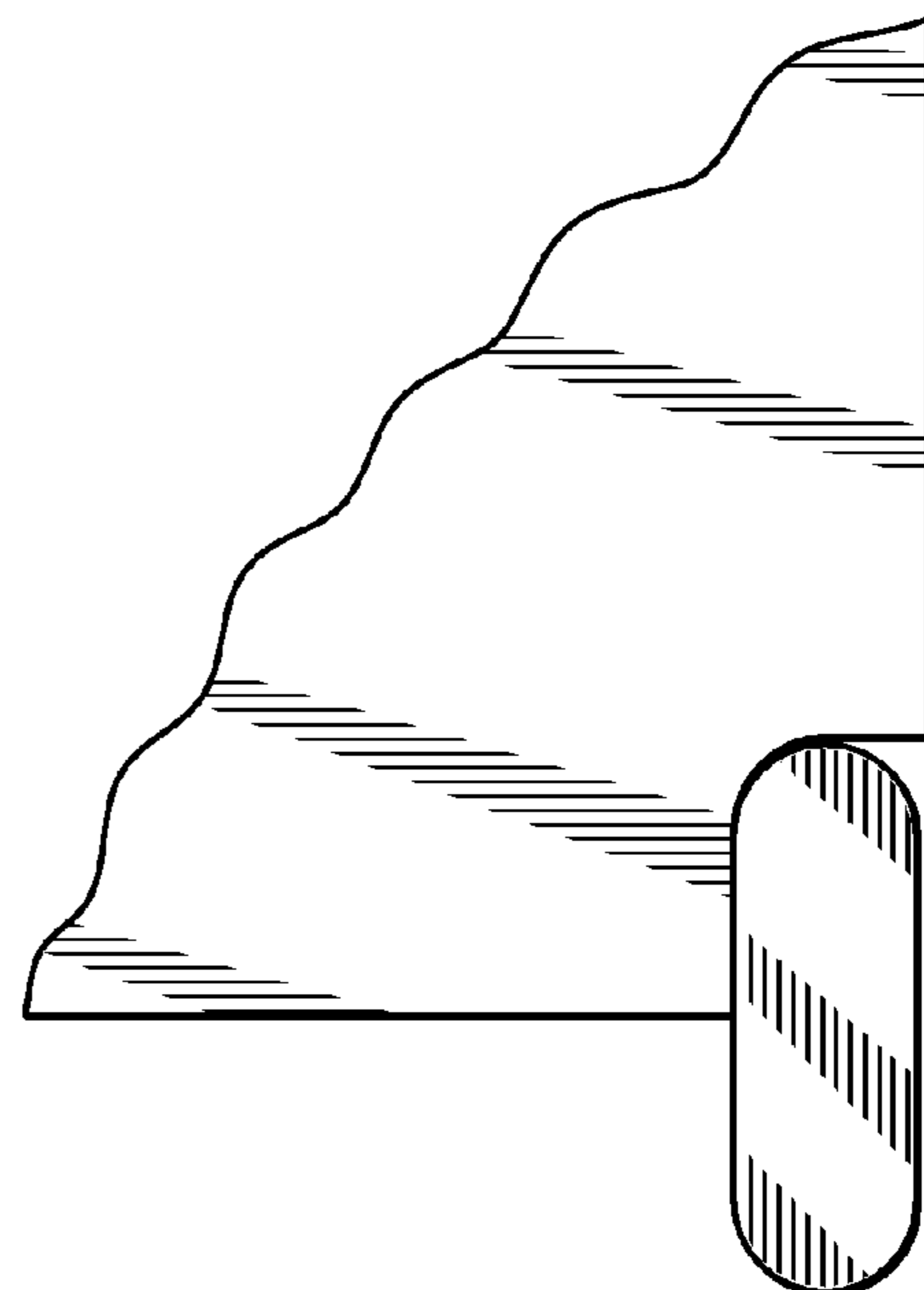


FIG. 8

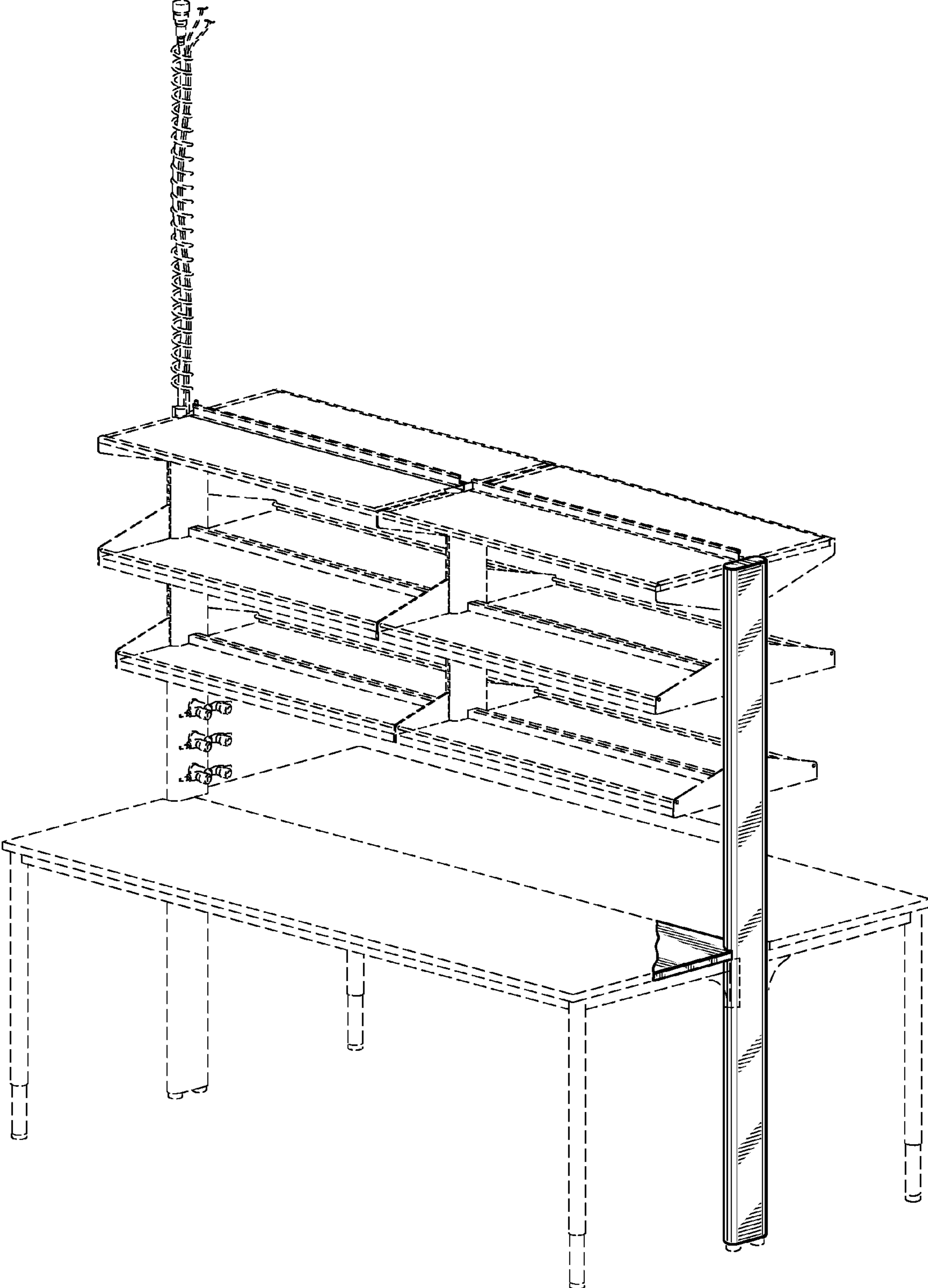


FIG. 9