

US00D547094S

(12) **United States Design Patent**  
**Klein et al.**

(10) **Patent No.:** **US D547,094 S**

(45) **Date of Patent:** **\*\* Jul. 24, 2007**

(54) **WIRE DRAWER**

(75) Inventors: **Richard B. Klein**, Overland Park, KS (US); **Mark A. Etter**, Independence, MO (US)

(73) Assignee: **Lynk, Inc.**, Lenexa, KS (US)

(\*\*) Term: **14 Years**

(21) Appl. No.: **29/246,753**

(22) Filed: **May 8, 2006**

(51) **LOC (8) Cl.** ..... **06-04**

(52) **U.S. Cl.** ..... **D6/462; D6/510**

(58) **Field of Classification Search** ..... D6/510,  
D6/409-415, 449, 455-458, 461, 464-468,  
D6/462, 474, 476, 566; 312/330.1, 408,  
312/334.44, 334.27, 410, 334.7; 211/41.8,  
211/181.1, 151, 41, 181, 85.31, 126.9, 13.1,  
211/133.2, 133.5, 85.3, 85.4, 49.1, 90.03,  
211/106, 126.15, 126.8; D19/78, 86, 92;  
220/491; 248/302

See application file for complete search history.

(56) **References Cited**

**U.S. PATENT DOCUMENTS**

2,799,426 A \* 7/1957 Kaye ..... 220/491  
2,925,919 A \* 2/1960 Wilson ..... 211/126.8

RE24,984 E \* 5/1961 Wilson ..... 211/126.8  
5,626,242 A \* 5/1997 Weizer ..... 211/41.8  
D493,308 S \* 7/2004 Nilsson et al. .... D6/510  
6,840,593 B2 \* 1/2005 Remmers ..... 312/330.1  
D507,108 S \* 7/2005 Suero, Jr. .... D3/304  
2006/0283817 A1 \* 12/2006 Yang et al. .... 211/41.4

\* cited by examiner

*Primary Examiner*—Janice E. Seeger

*Assistant Examiner*—Sydney R Buffalow

(74) *Attorney, Agent, or Firm*—Blackwell Sanders Peper Martin LLP

(57) **CLAIM**

The ornamental design for a wire drawer, as shown and described.

**DESCRIPTION**

FIG. 1 is a front perspective view of a wire drawer showing our new design;

FIG. 2 is a top view thereof;

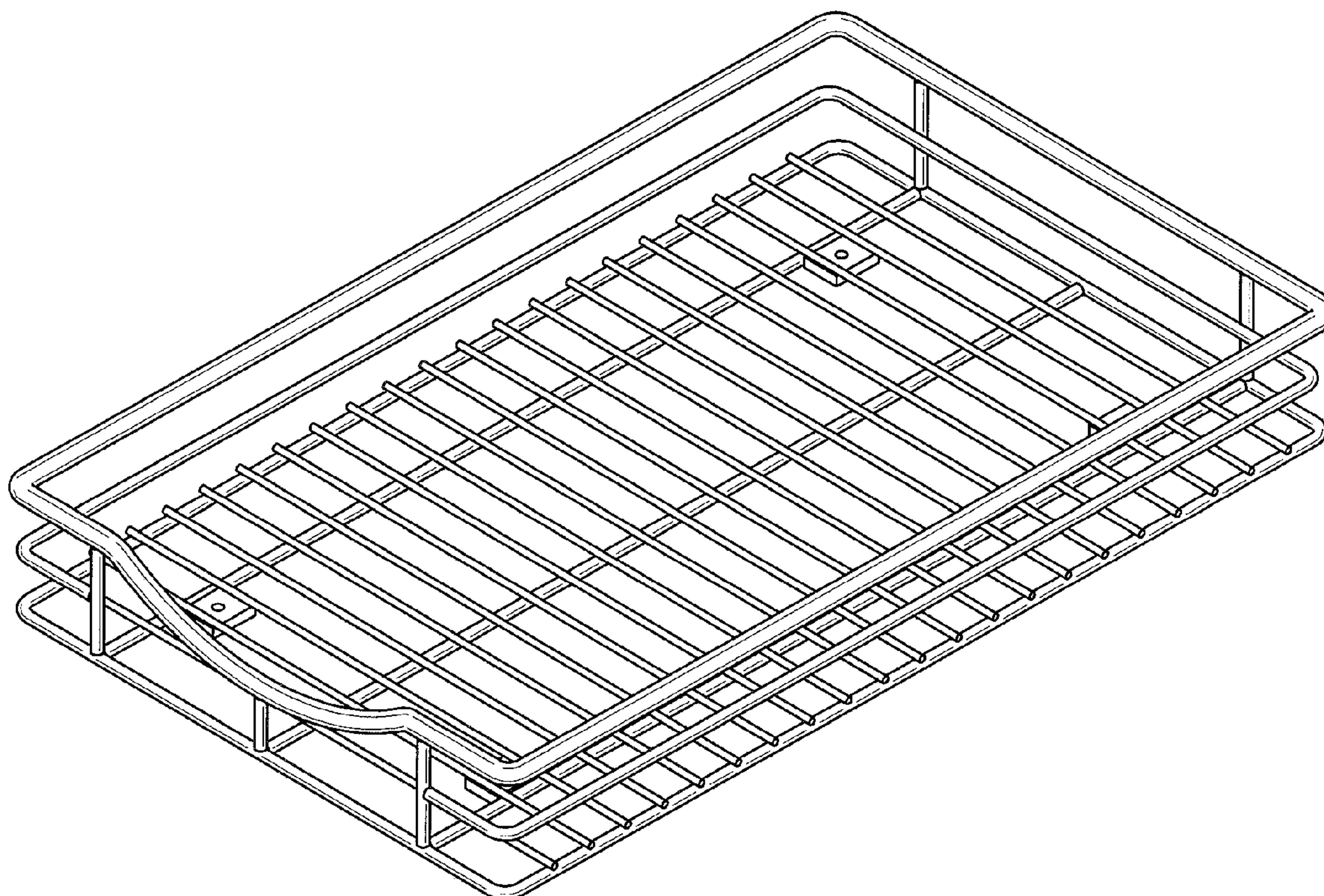
FIG. 3 is a bottom view thereof;

FIG. 4 is a side elevational view, the opposite side being a mirror thereof;

FIG. 5 is a front elevational view thereof; and,

FIG. 6 is a rear elevational view thereof.

**1 Claim, 4 Drawing Sheets**





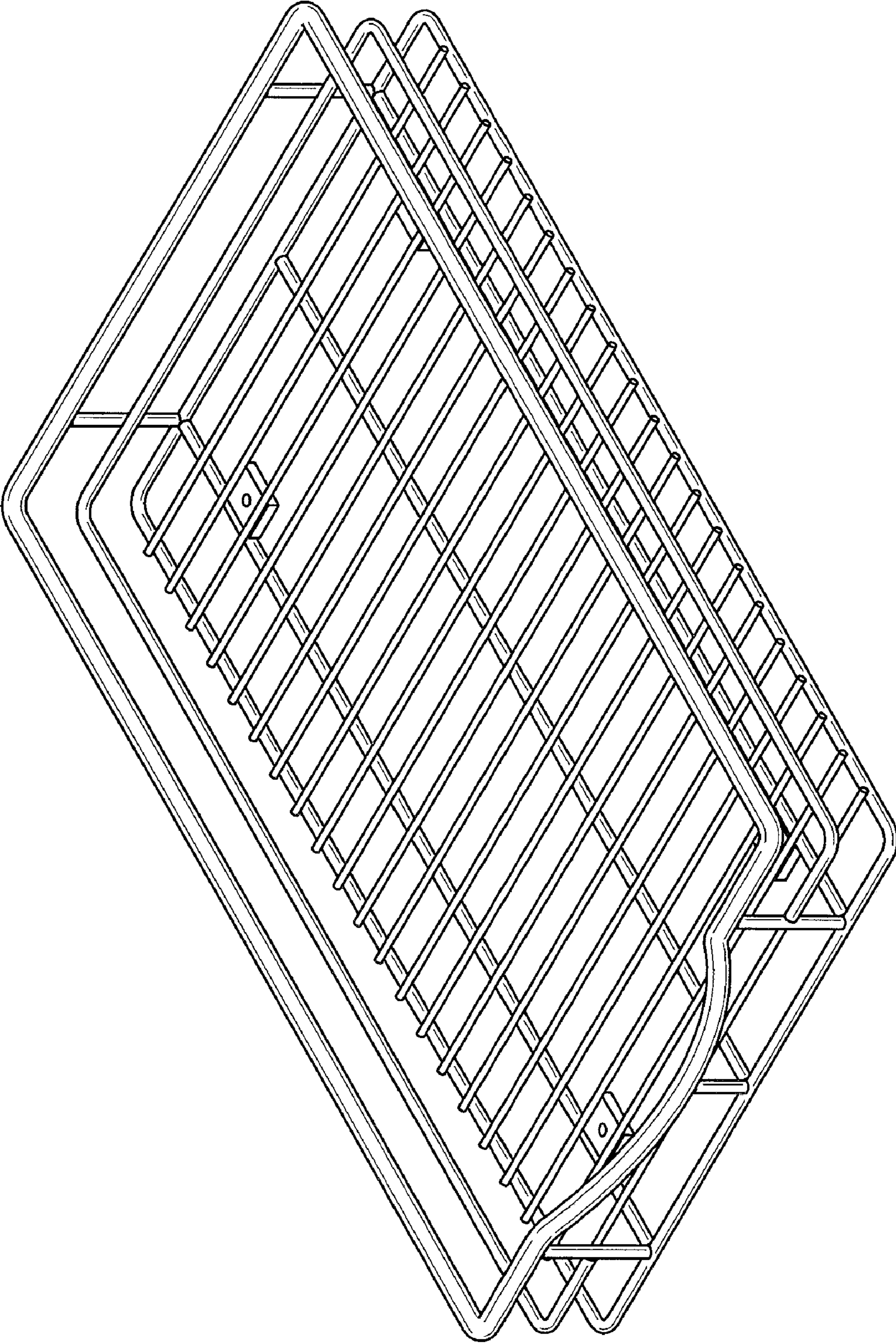


FIG. 1

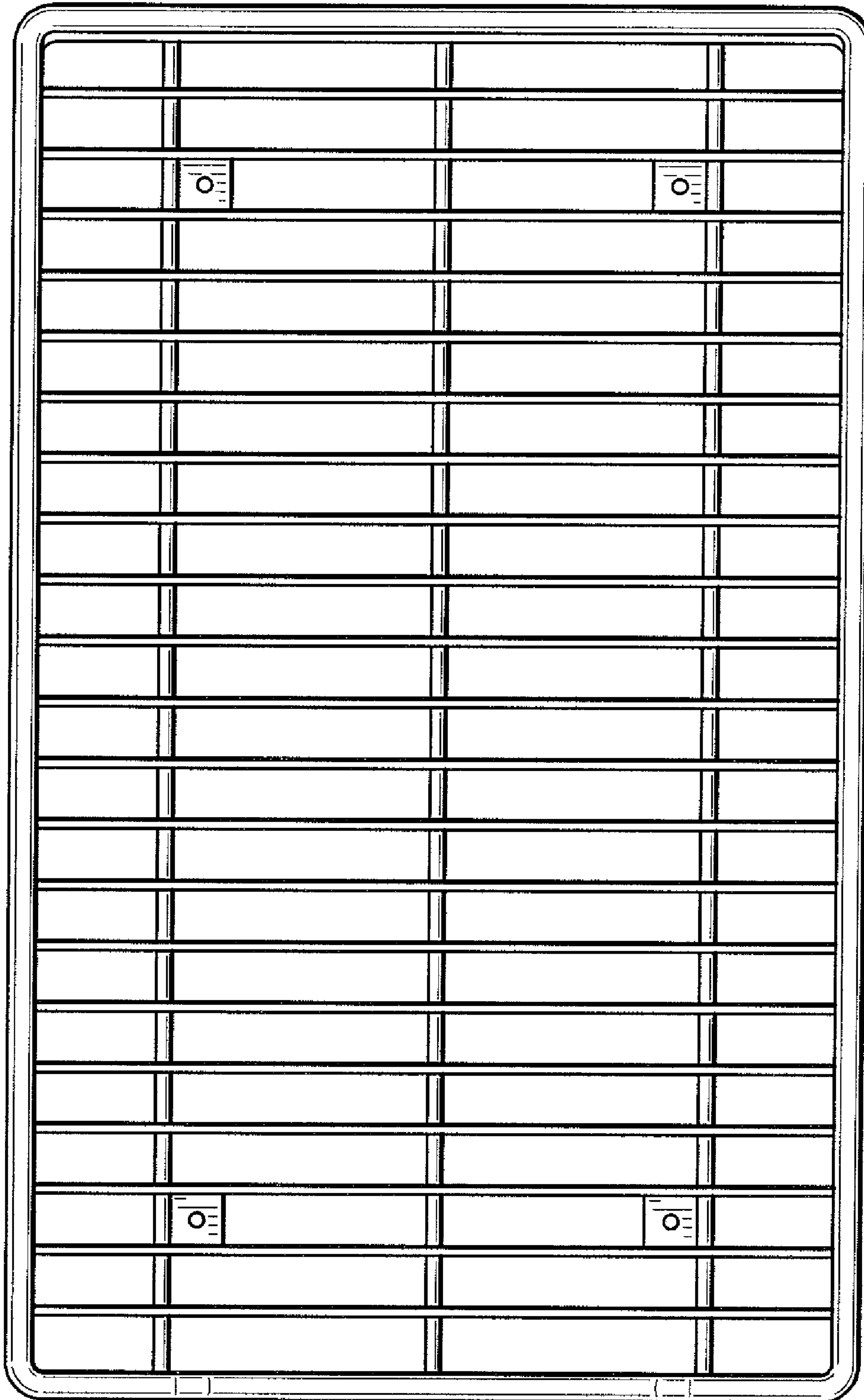


FIG. 2

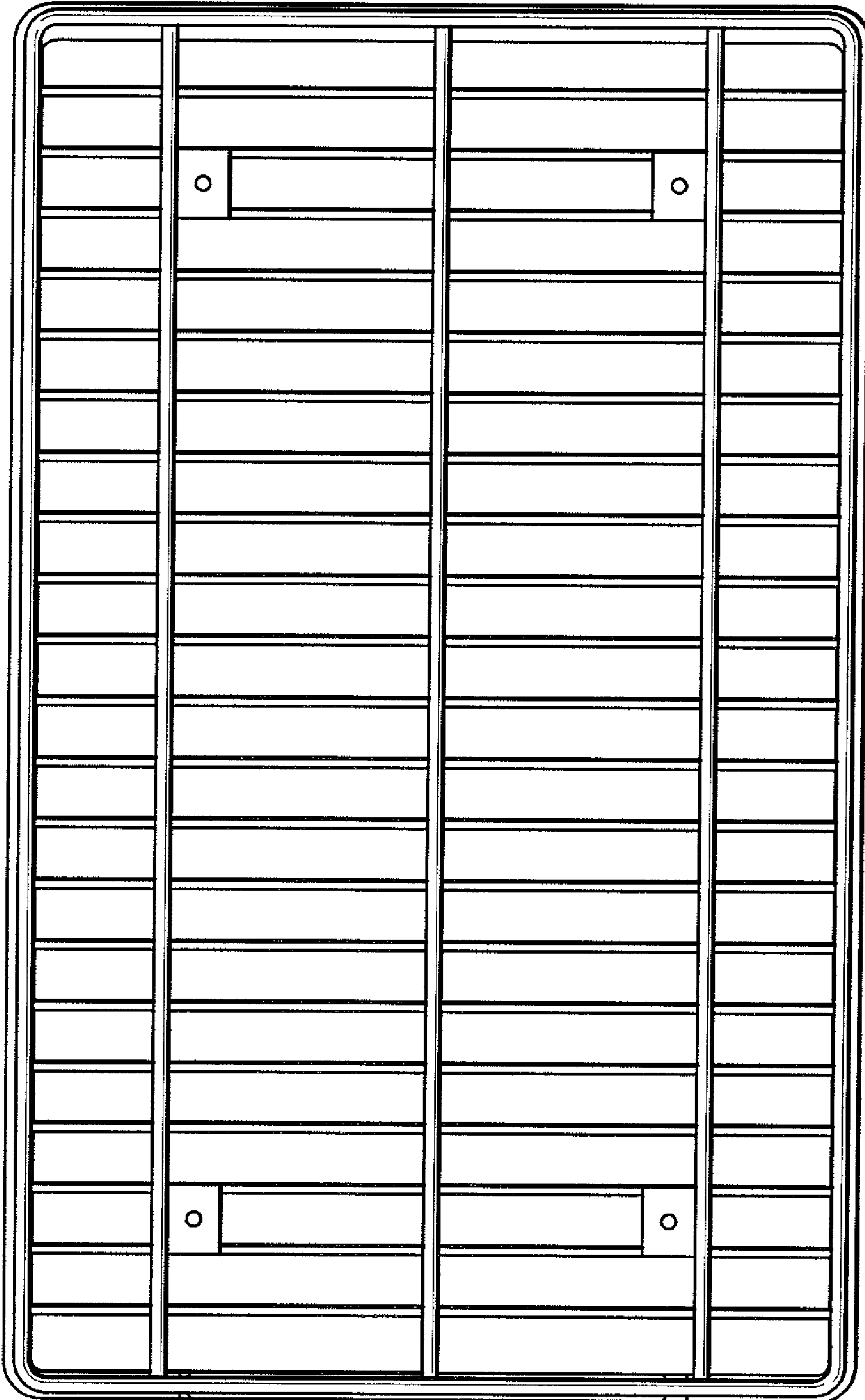


FIG. 3

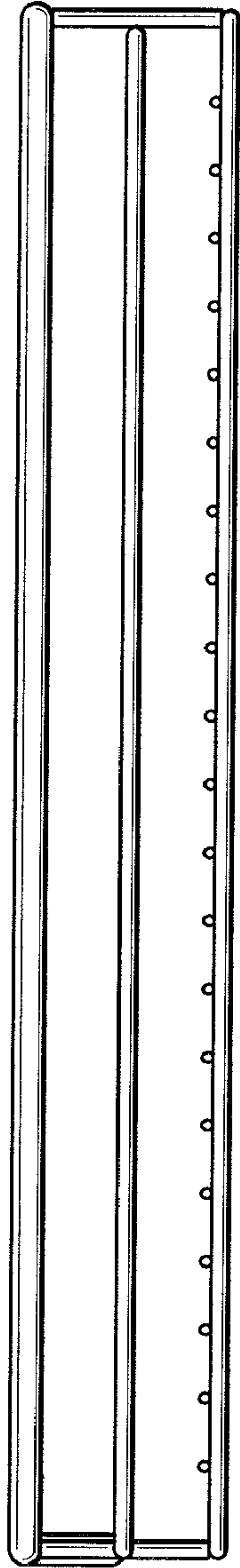


FIG. 4

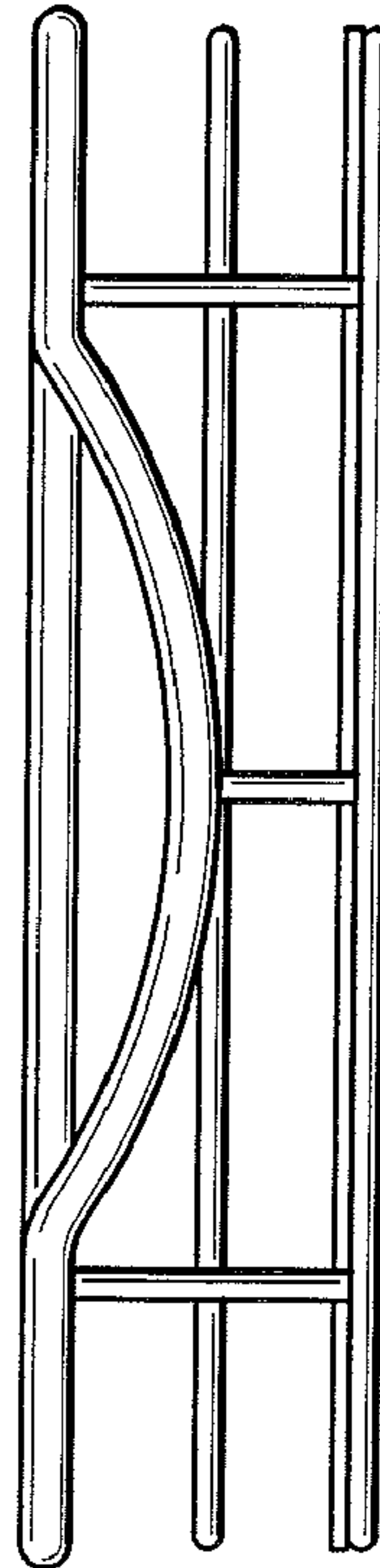


FIG. 5

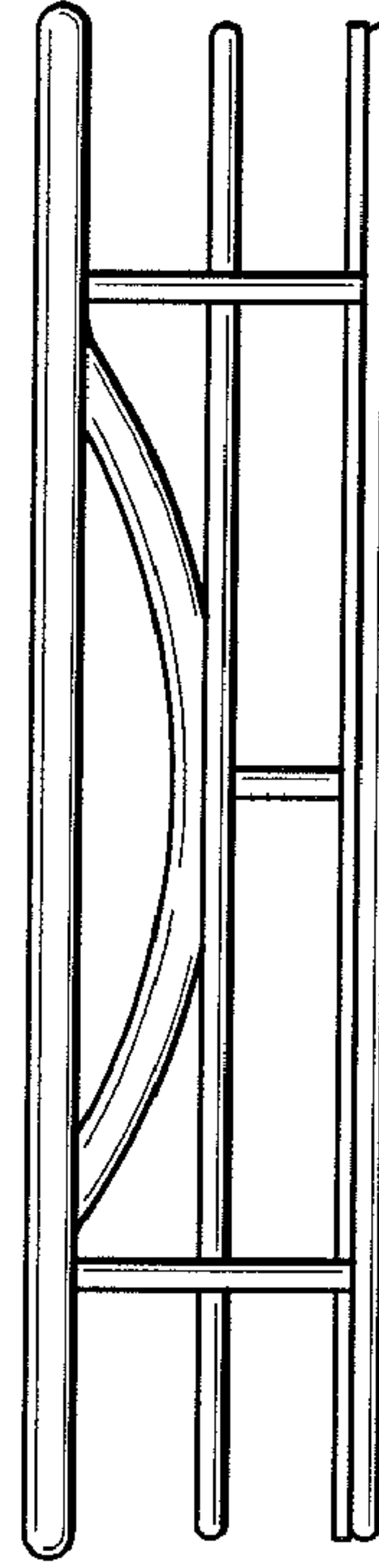


FIG. 6