



US00D547092S

(12) **United States Design Patent**
Brown

(10) **Patent No.:** **US D547,092 S**

(45) **Date of Patent:** **** Jul. 24, 2007**

(54) **CD/DVD HOLDER**

(75) Inventor: **Jason Brown**, Seattle, WA (US)

(73) Assignee: **Brown Creative, Inc.**, Seattle, WA (US)

(**) Term: **14 Years**

(21) Appl. No.: **29/226,759**

(22) Filed: **Mar. 30, 2005**

(51) **LOC (8) Cl.** **06-04**

(52) **U.S. Cl.** **D6/407**

(58) **Field of Classification Search** D6/407,
D6/450, 626-635, 512, 533, 555; D9/433,
D9/422, 418, 428, 522, 523, 544, 663; D3/303,
D3/294, 218, 219, 328; D14/479, 478, 474,
D14/483; 206/751, 755, 457, 312, 311, 310,
206/309, 308.2, 308.1, 307, 303, 232, 579,
206/493, 472; 720/719, 655, 728, 734; 312/9.52;
53/445, 462; D16/130, 136; D28/73, 78,
D28/82, 91; D20/10, 42, 43; D32/35; 369/272.1;
248/346.11

See application file for complete search history.

(56) **References Cited**

U.S. PATENT DOCUMENTS

2,678,861 A * 5/1954 Funk 312/9.52
4,316,281 A * 2/1982 Prusak 369/272.1
D277,791 S * 2/1985 Schefer D28/82
5,476,173 A * 12/1995 Opresco 206/309

D366,737 S * 1/1996 Chen D32/35
5,590,114 A * 12/1996 Murphy 720/719
5,757,765 A * 5/1998 Chen 720/719
6,123,191 A * 9/2000 Dean 206/310
D439,786 S * 4/2001 Myszka et al. D6/634
D441,144 S * 4/2001 Vanoncini D28/82
6,243,356 B1 * 6/2001 Rubino, III 720/734
D452,628 S * 1/2002 Stauffer D6/632
6,901,600 B2 * 5/2005 Liu 720/719
6,964,401 B1 * 11/2005 Kelley et al. 248/346.11
D519,312 S * 4/2006 Tsai D6/632

* cited by examiner

Primary Examiner—Ian Simmons

Assistant Examiner—Charles Hanson

(74) *Attorney, Agent, or Firm*—Christensen O'Connor Johnson Kindness PLLC

(57) **CLAIM**

The ornamental design for a CD/DVD holder, as shown and described.

DESCRIPTION

FIG. 1 is a perspective view of a CD/DVD holder, showing to my design;

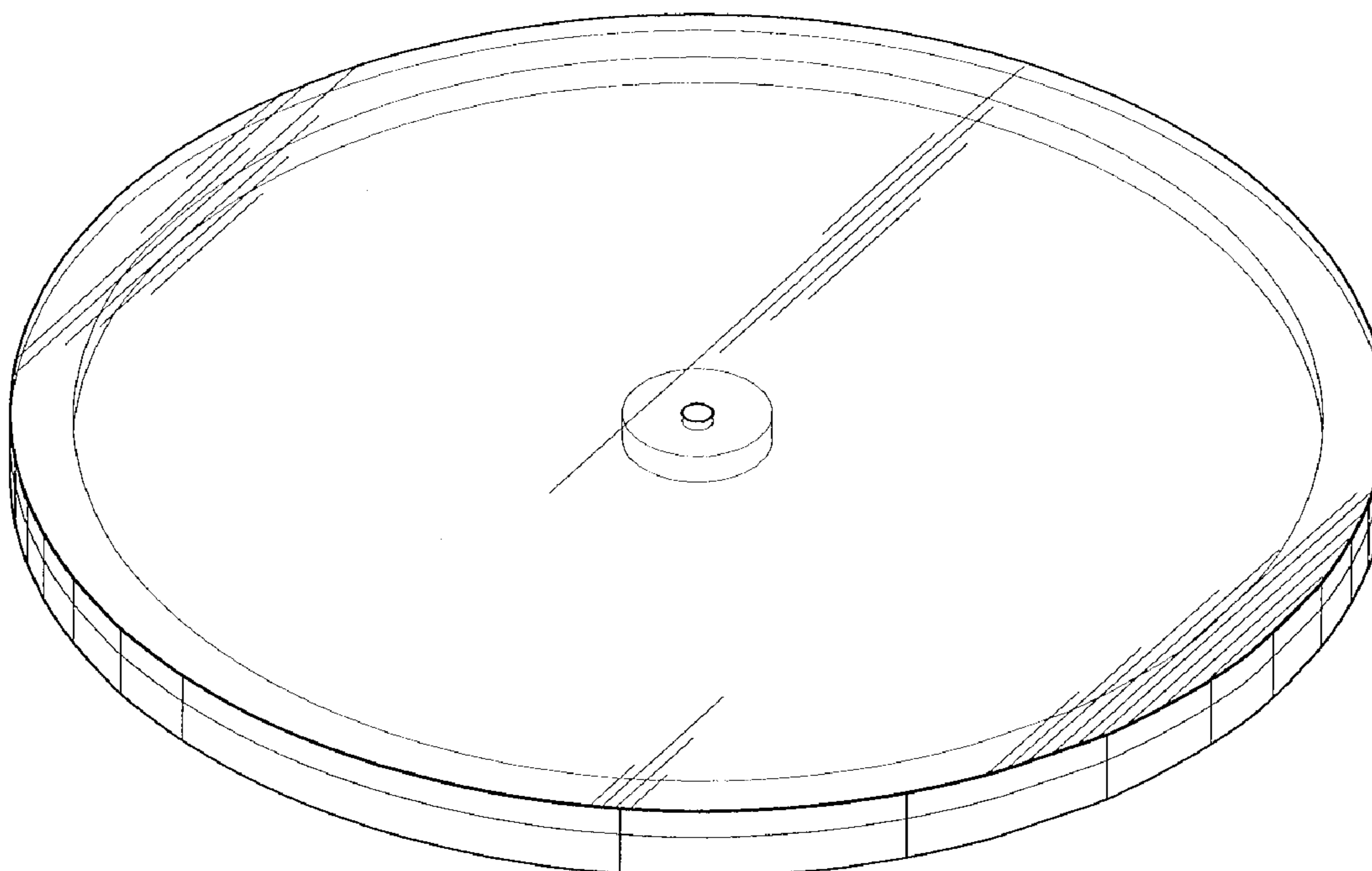
FIG. 2 is a perspective view thereof, in an opened condition;

FIG. 3 is a plan view thereof;

FIG. 4 is a bottom view thereof; and,

FIG. 5 is a front view thereof, the rear, left, and side views being identical.

1 Claim, 3 Drawing Sheets



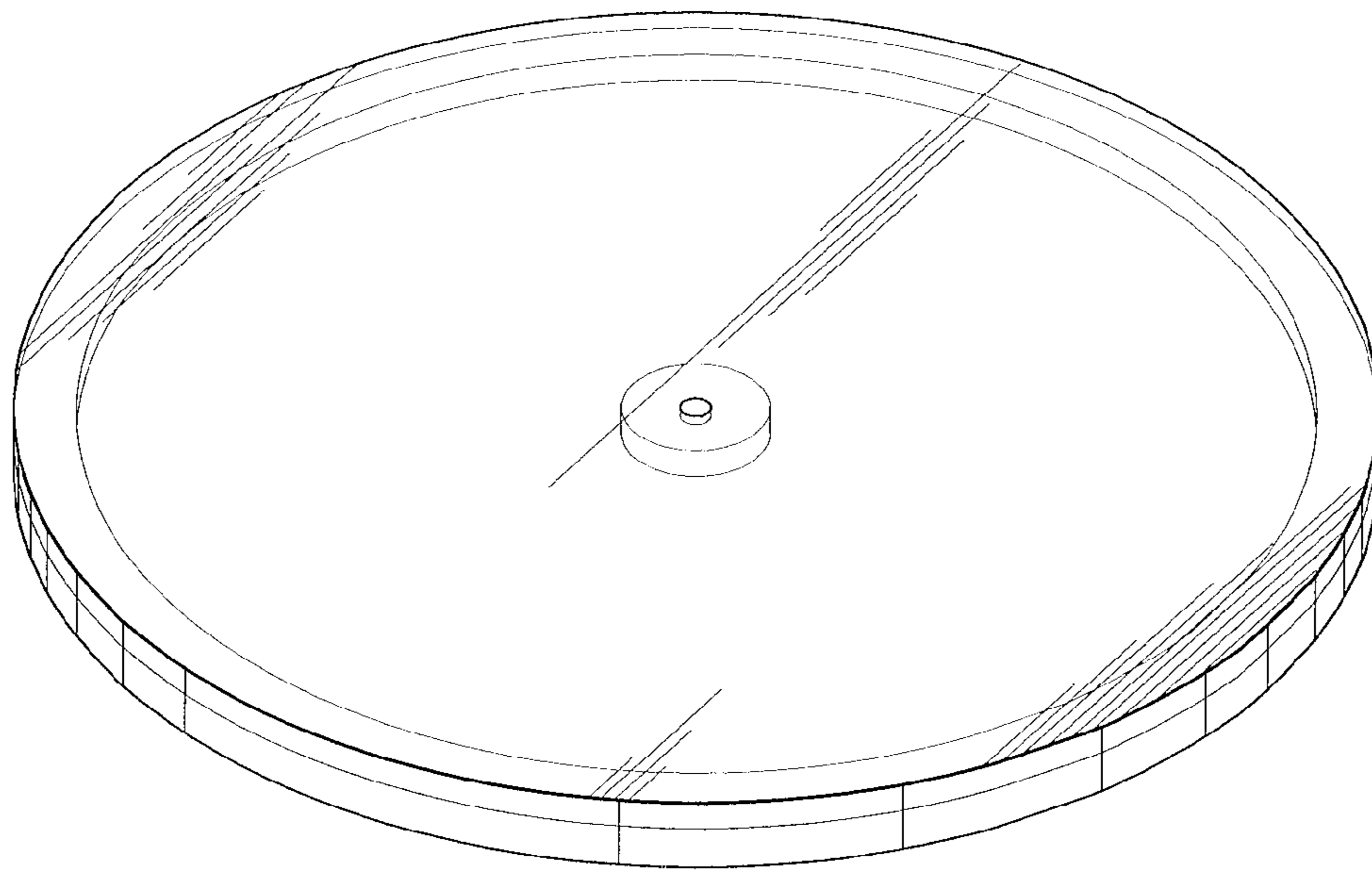


Fig. 1.

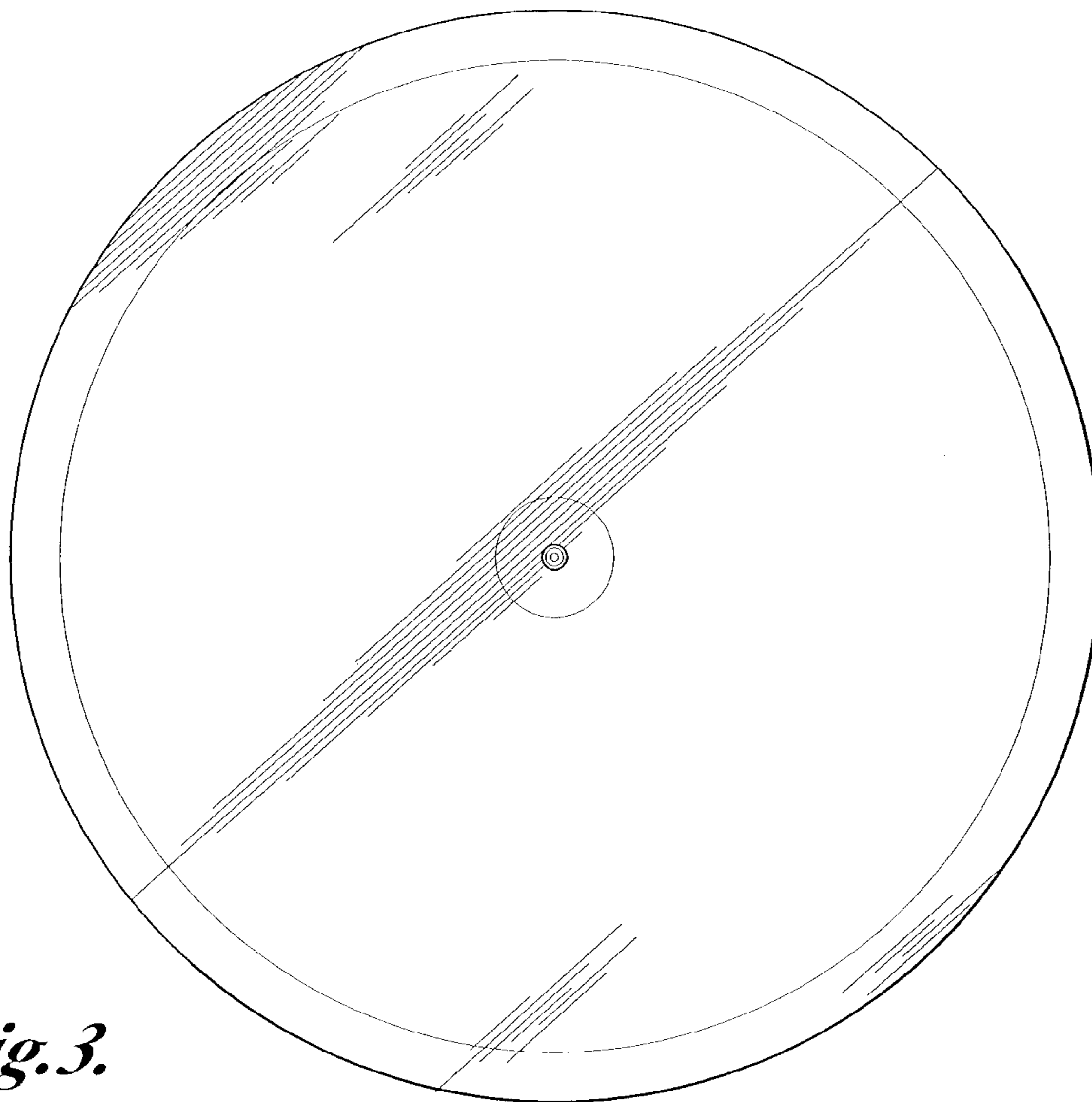


Fig. 3.

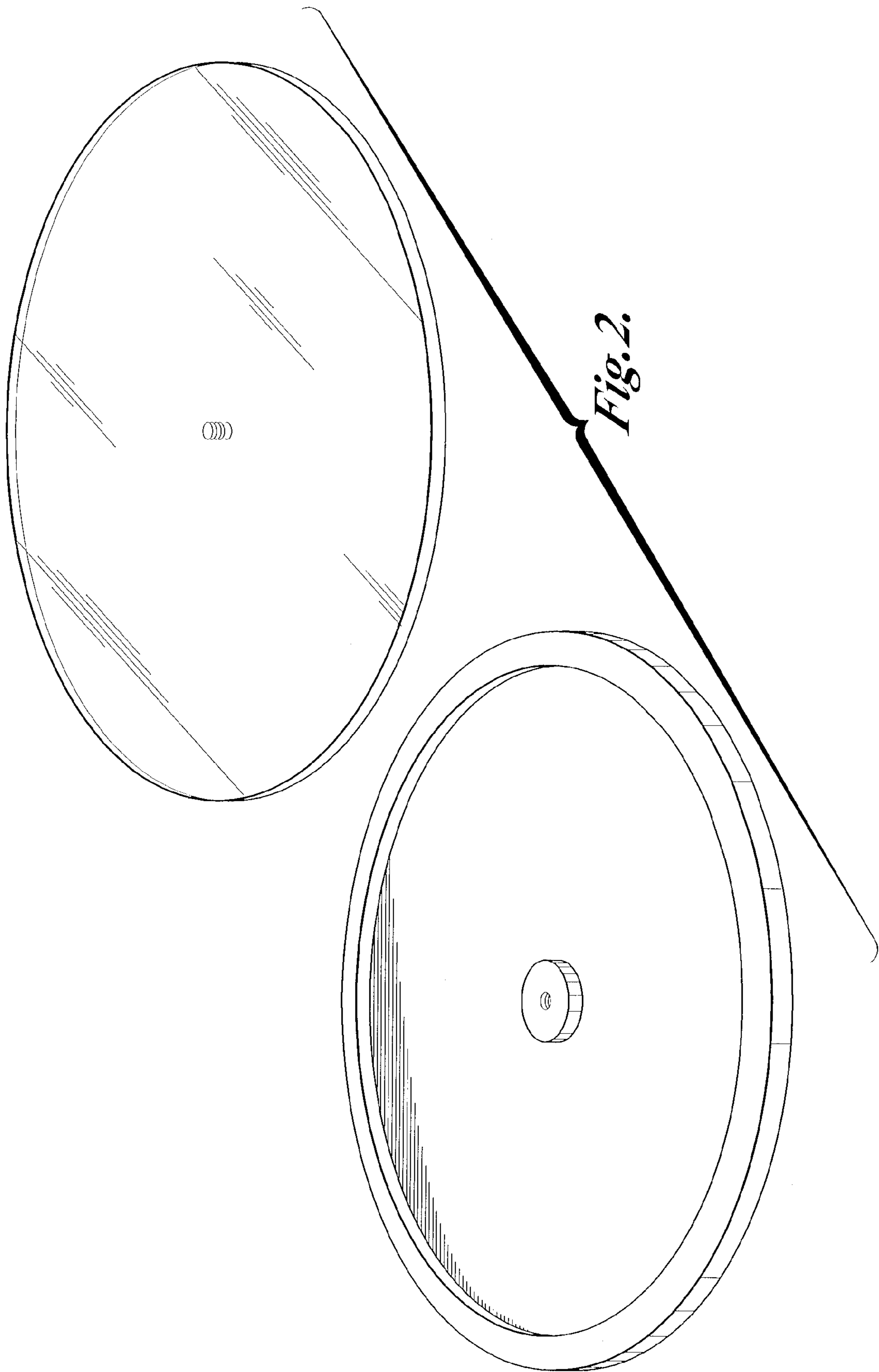


Fig. 2.

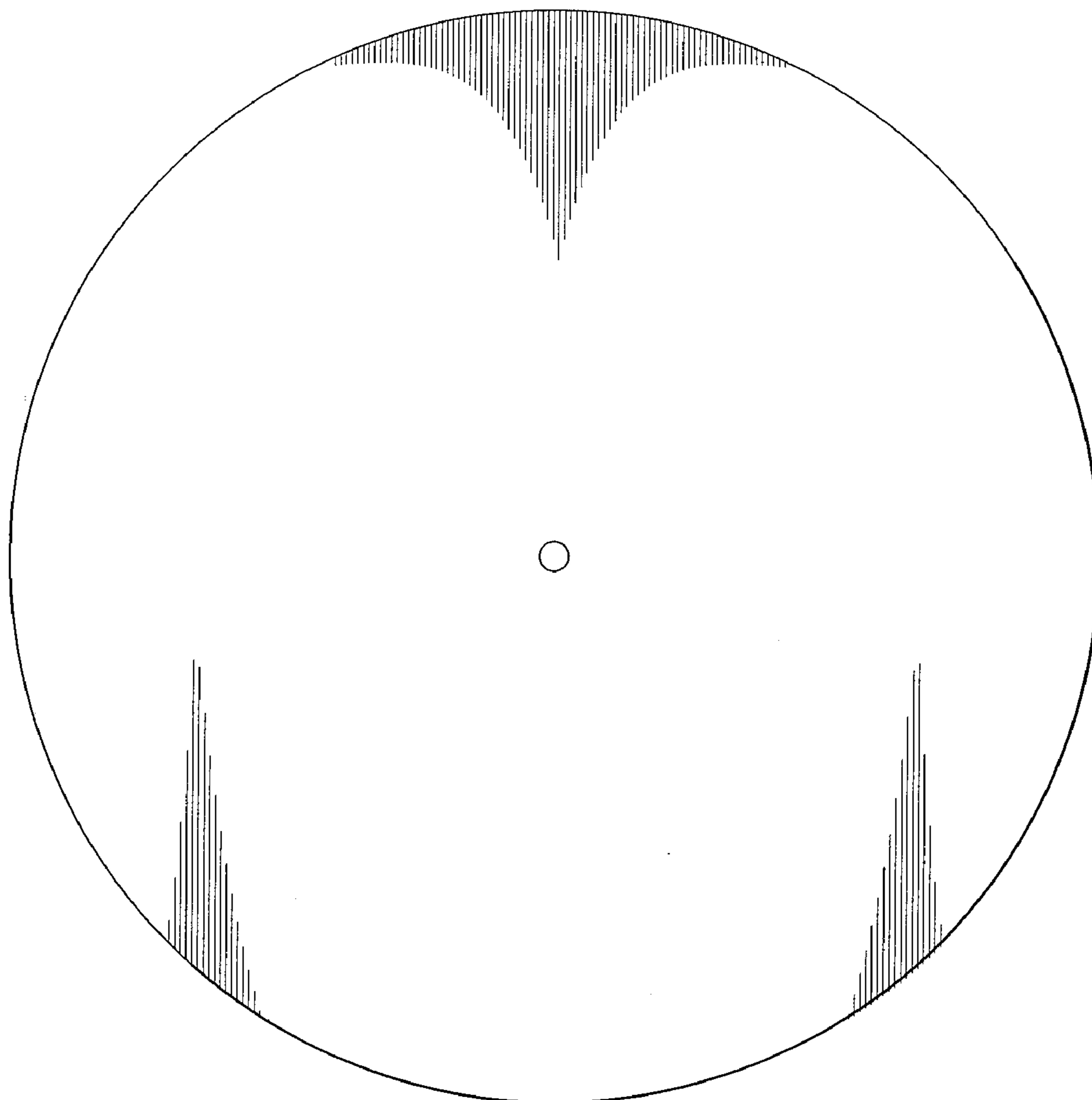


Fig. 4.



Fig. 5.