

US00D547076S

(12) **United States Design Patent**
Hughes et al.

(10) **Patent No.: US D547,076 S**

(45) **Date of Patent: ** Jul. 24, 2007**

(54) **COLLAPSIBLE ROCKING CHAIR**

(76) Inventors: **Elliott Stan Hughes**, 7428 Rooses Way,
Indianapolis, IN (US) 46217; **James
Dennis McCabe**, 97 W. Ridge Blvd.,
Greenwood, IN (US) 46142

(**) Term: **14 Years**

(21) Appl. No.: **29/269,743**

(22) Filed: **Jan. 16, 2007**

(51) **LOC (8) Cl.** **06-01**

(52) **U.S. Cl.** **D6/348**

(58) **Field of Classification Search** D6/334-336,
D6/344, 345, 348, 368, 374, 375, 379, 380,
D6/500-50; D21/412, 521; 297/258.1, 271.5,
297/271.6, 440.1, 440.13

See application file for complete search history.

(56) **References Cited**

U.S. PATENT DOCUMENTS

D63,045 S *	9/1923	Strickland	D6/348
D212,601 S *	11/1968	Rubenstein	D6/348
4,509,794 A *	4/1985	Roland	297/440.13
D289,234 S *	4/1987	Hoult	D6/348
D301,091 S *	5/1989	Kimball	D6/348
D302,216 S *	7/1989	Roland	D6/348
5,000,514 A *	3/1991	Hanson	297/440.13
D319,929 S *	9/1991	Smith	D6/348
D324,961 S *	3/1992	Gandy	D6/348
D333,575 S *	3/1993	Hanson	D6/348
D335,224 S *	5/1993	Freeman et al.	D6/348
D422,799 S *	4/2000	Dworshak et al.	D6/348

D425,139 S * 5/2000 Michaelson D21/521

* cited by examiner

Primary Examiner—Mimosa De

(74) *Attorney, Agent, or Firm*—Kyle S. Brant

(57) **CLAIM**

The ornamental design for a collapsible rocking chair, as shown and described.

DESCRIPTION

FIG. 1 is a front right perspective view of the collapsible rocking chair showing our new design;

FIG. 2 is a front left perspective view thereof;

FIG. 3 is a rear right perspective view thereof;

FIG. 4 is a rear left perspective view thereof;

FIG. 5 is an enlarged left side view of the side panel member thereof, the right side view being a mirror image;

FIG. 6 is an enlarged top plan view of the seat portion thereof;

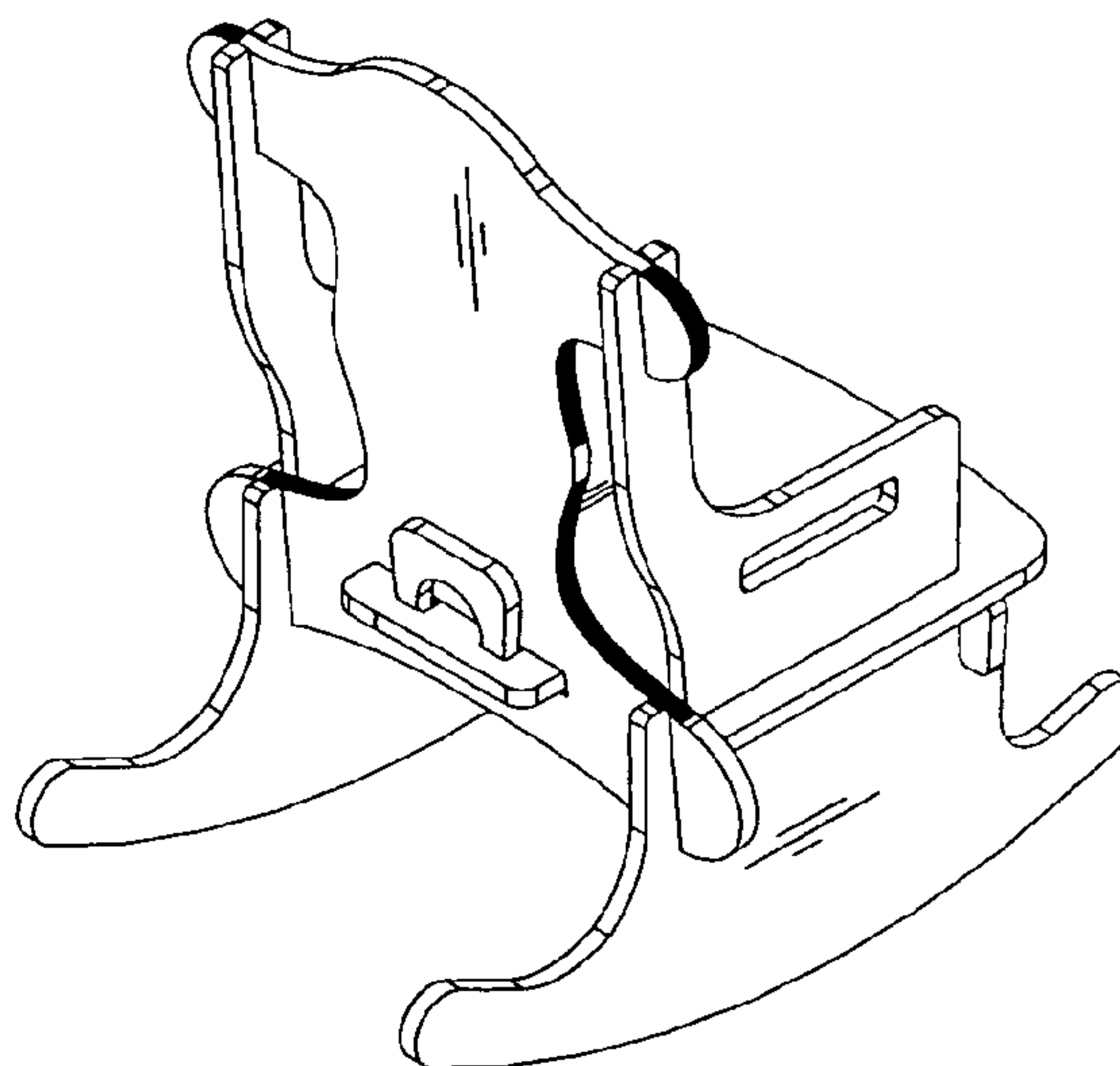
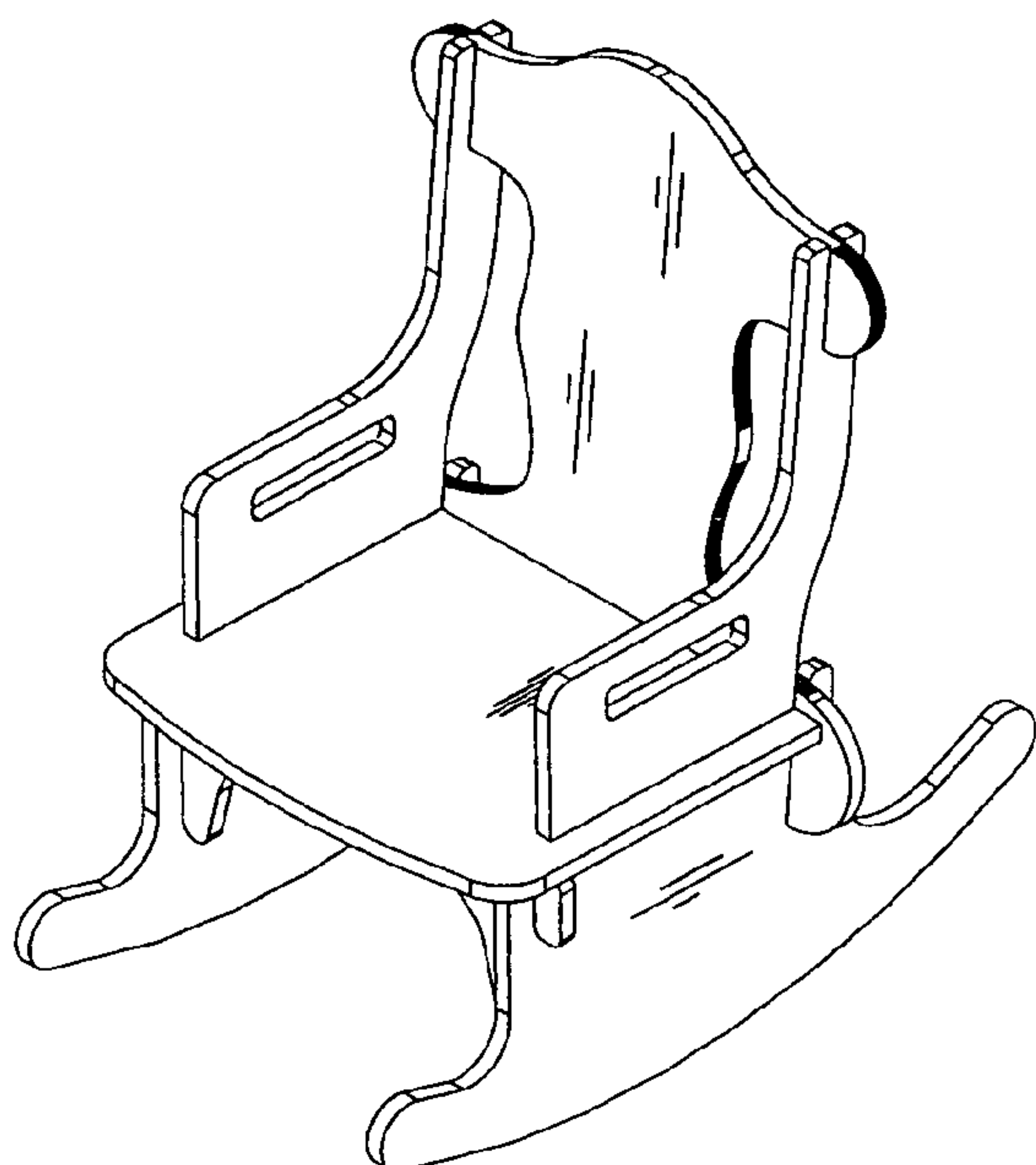
FIG. 7 is an enlarged view of the front spacer member thereof;

FIG. 8 is an enlarged view of the rear locking member thereof; and,

FIG. 9 is an enlarged view of the rear back support member thereof.

FIGS. 5, 6, 7, 8 and 9 are shown separately for ease of illustration.

1 Claim, 3 Drawing Sheets



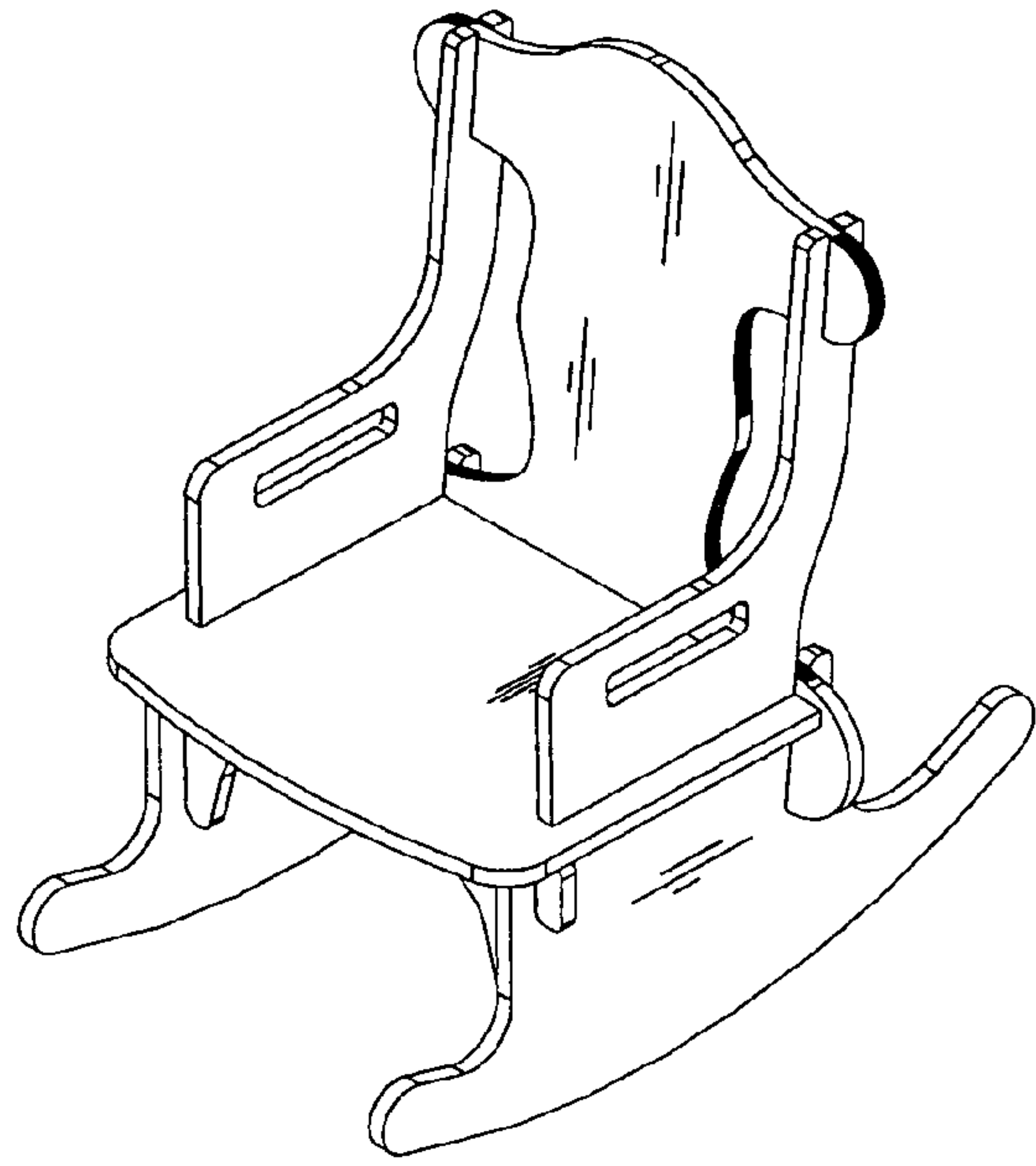


Fig. 1

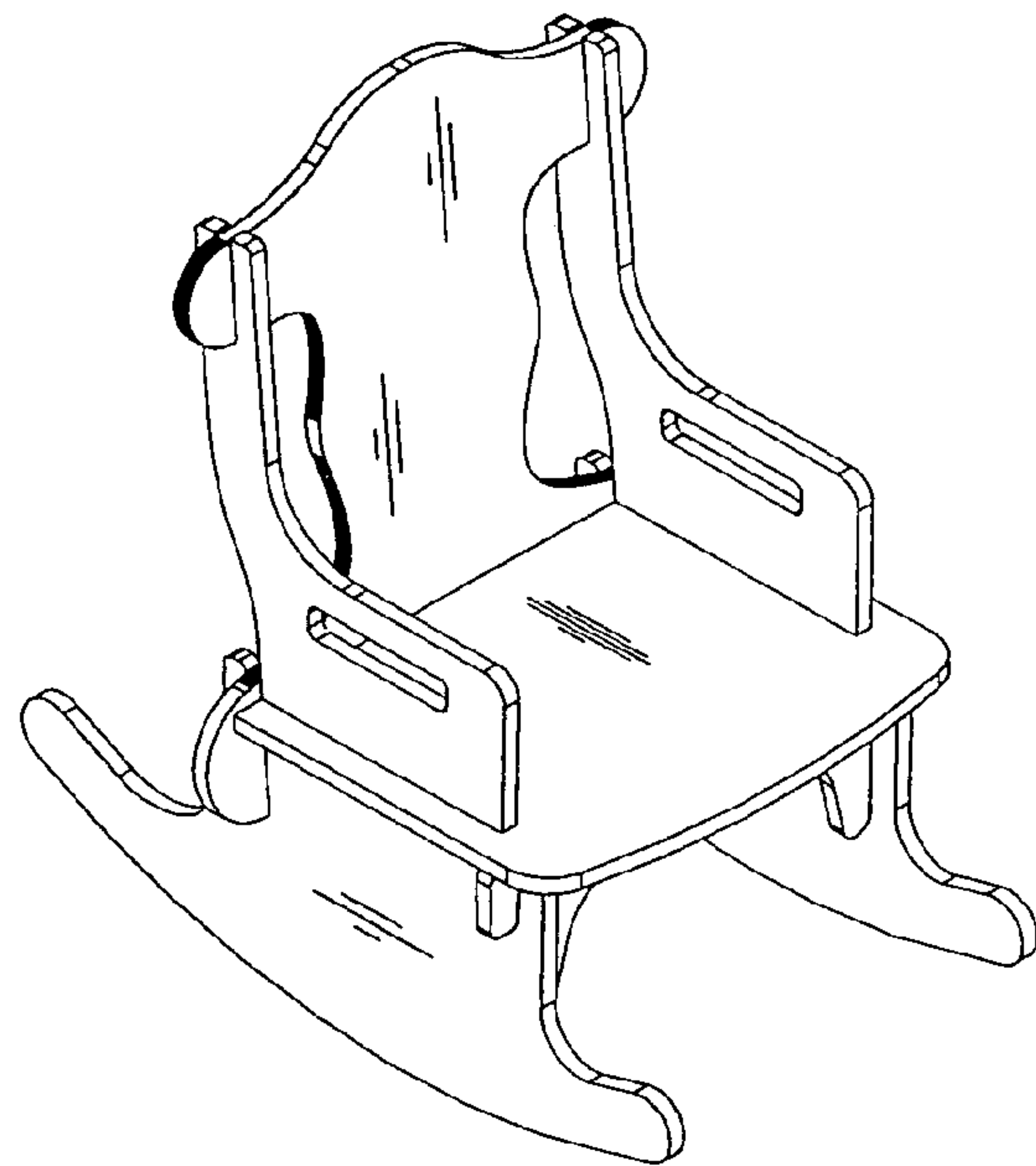


Fig. 2

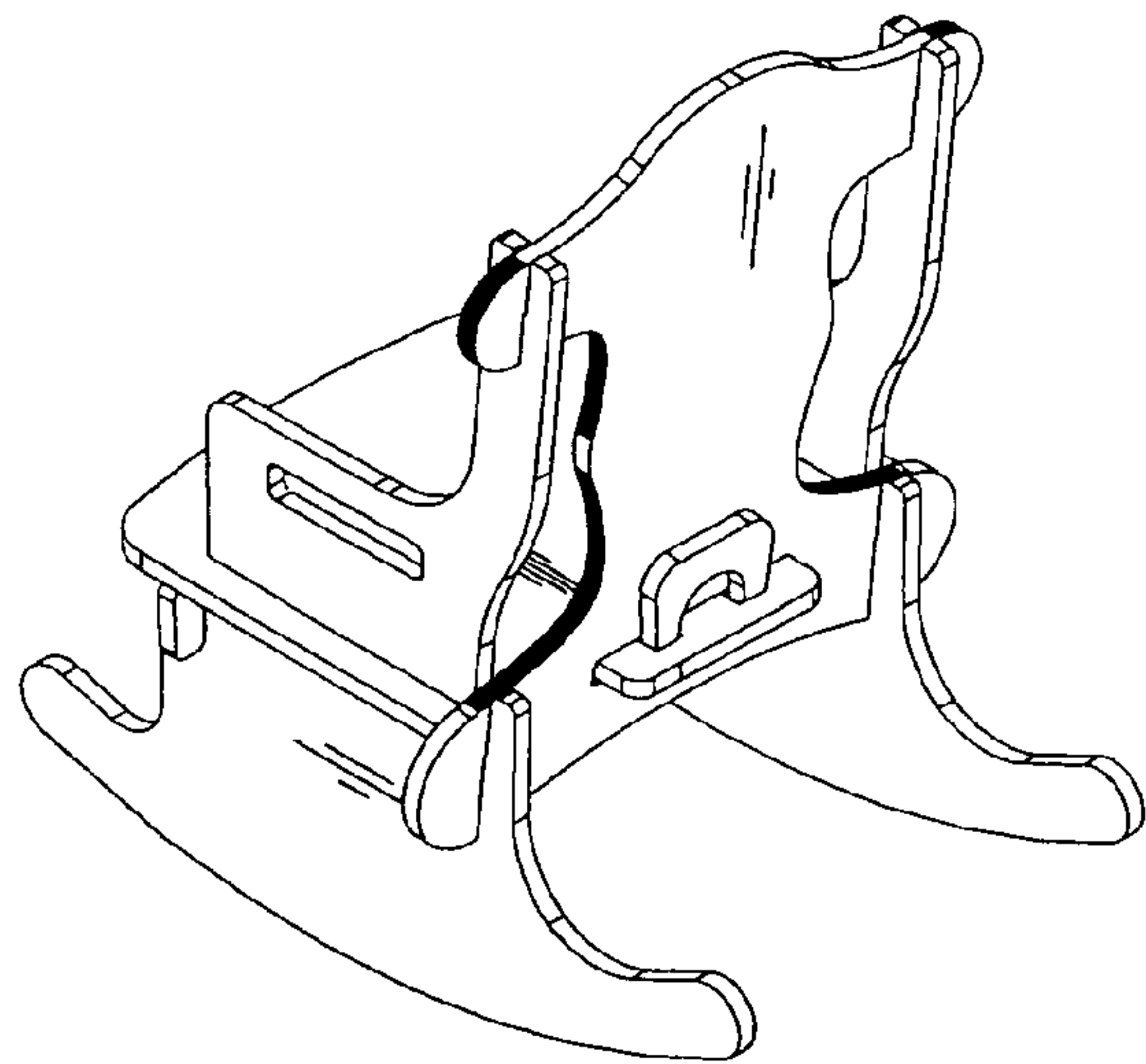


Fig. 3

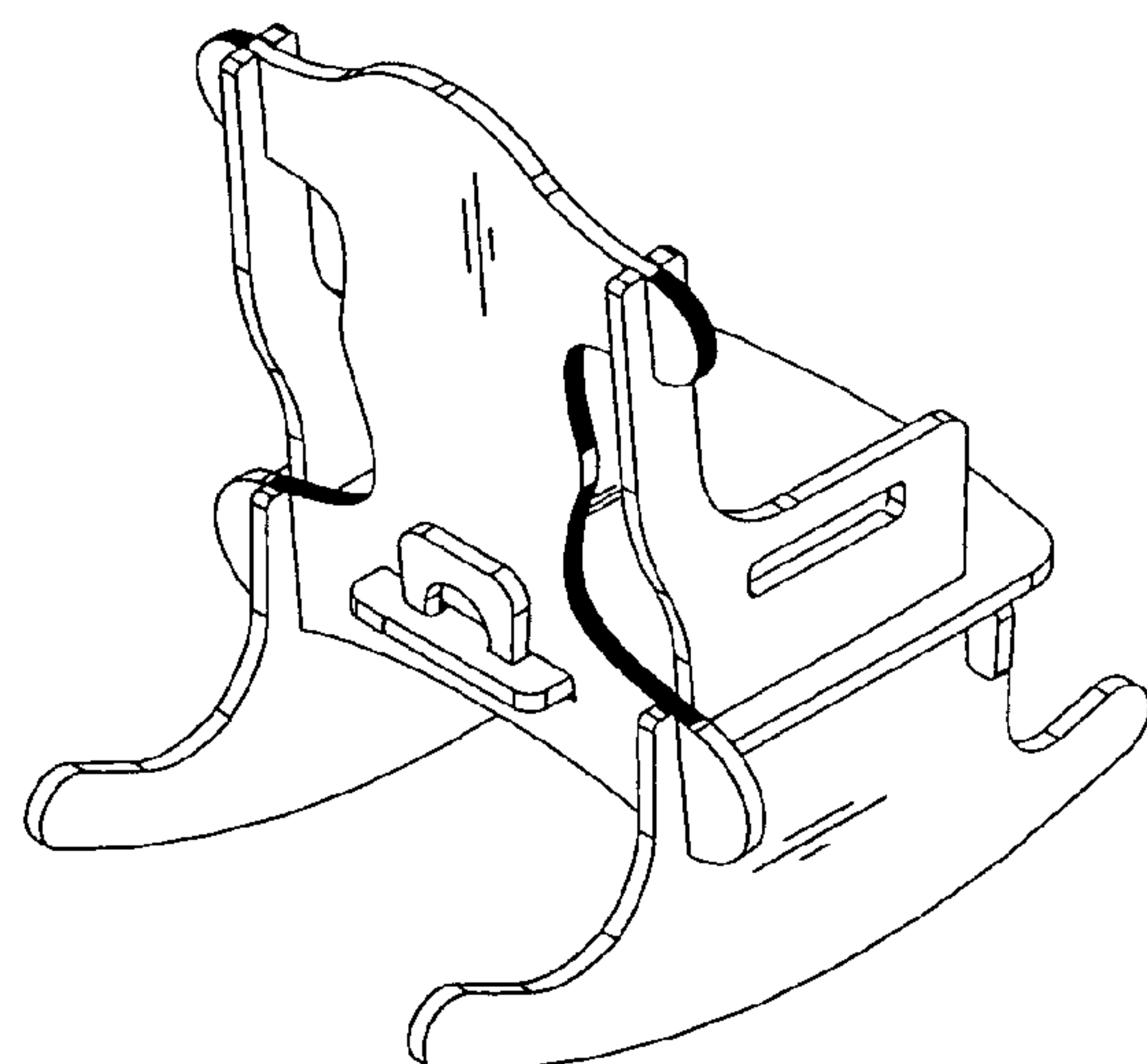


Fig. 4

Fig. 5

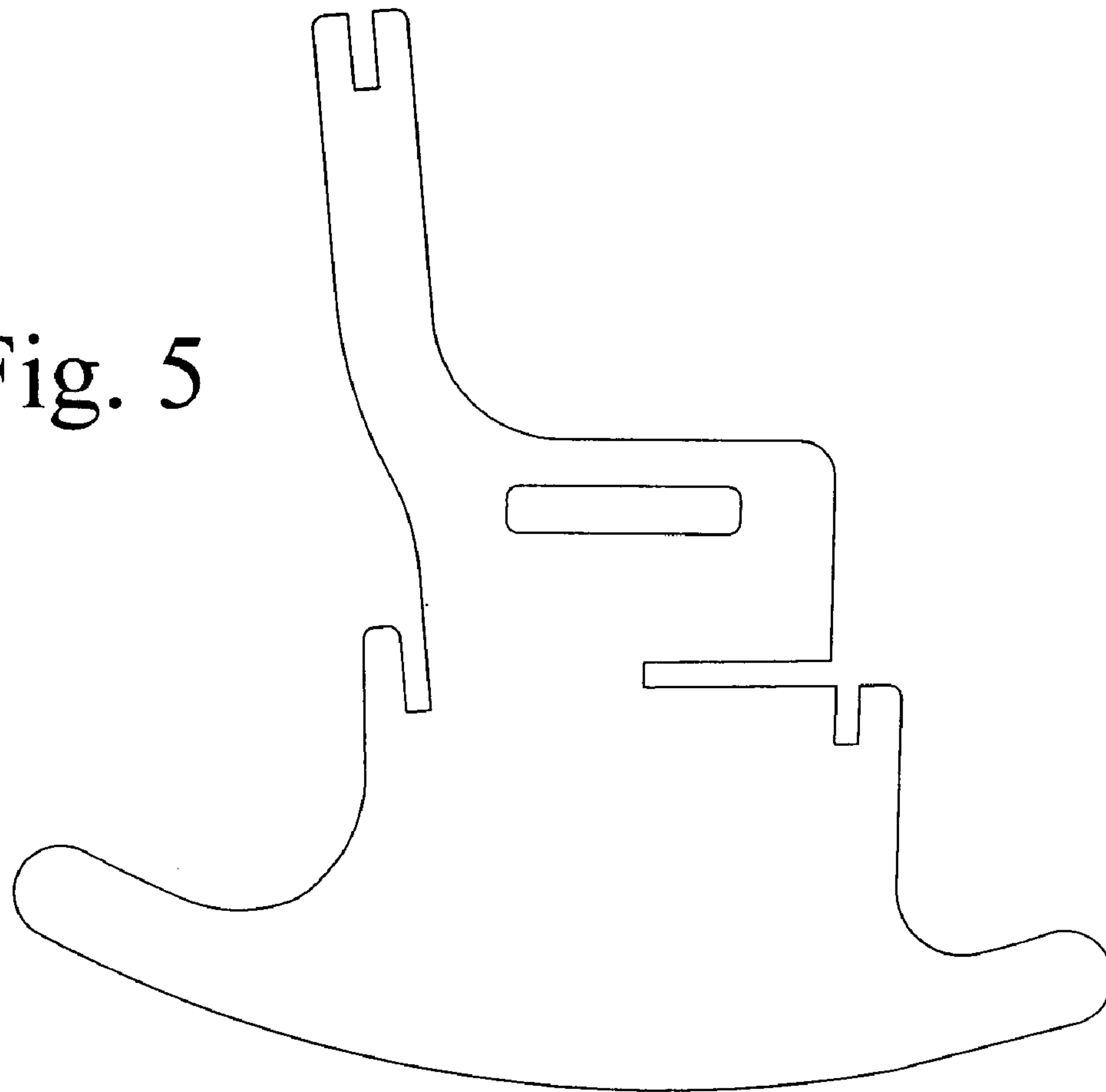
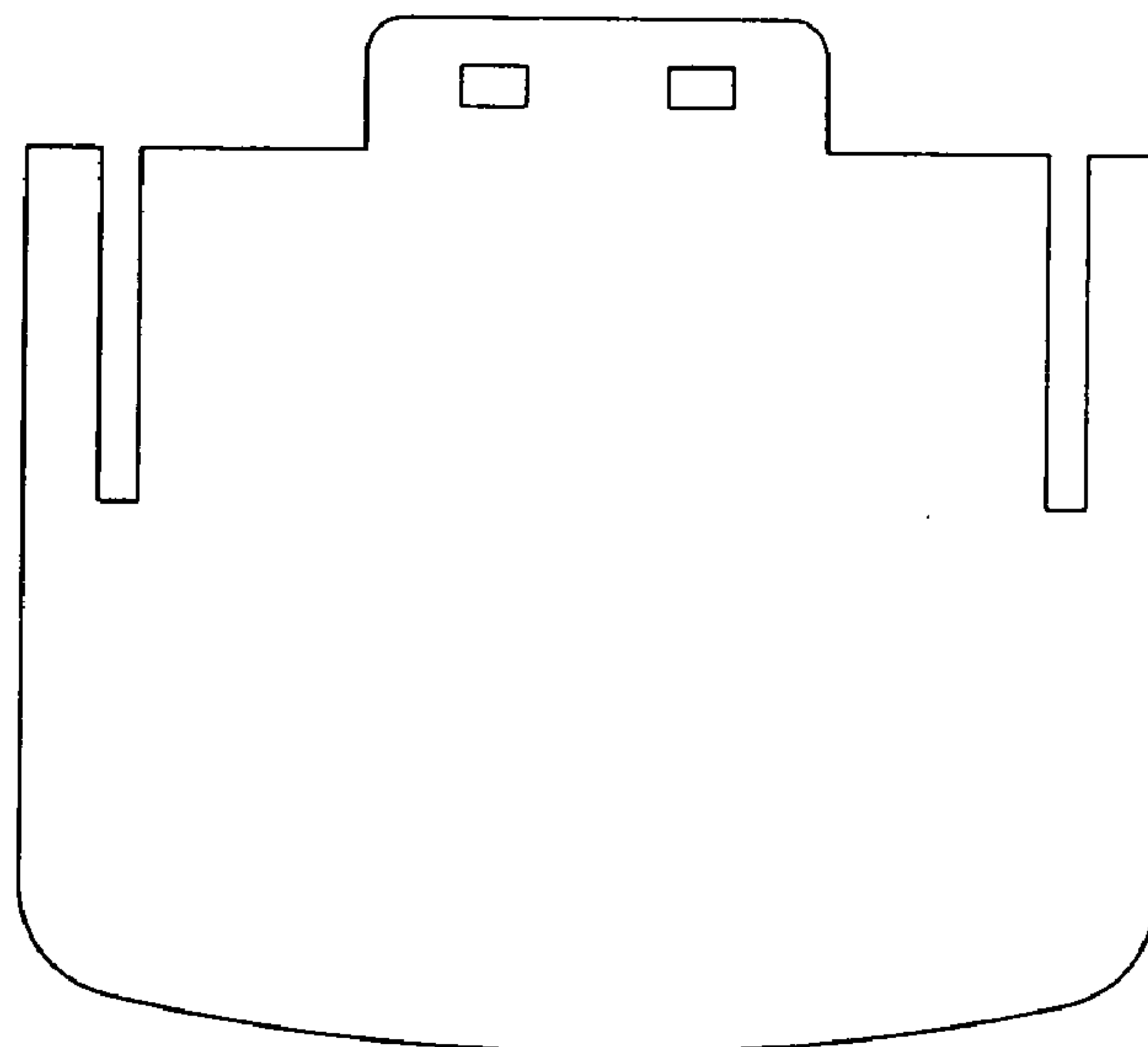


Fig. 6



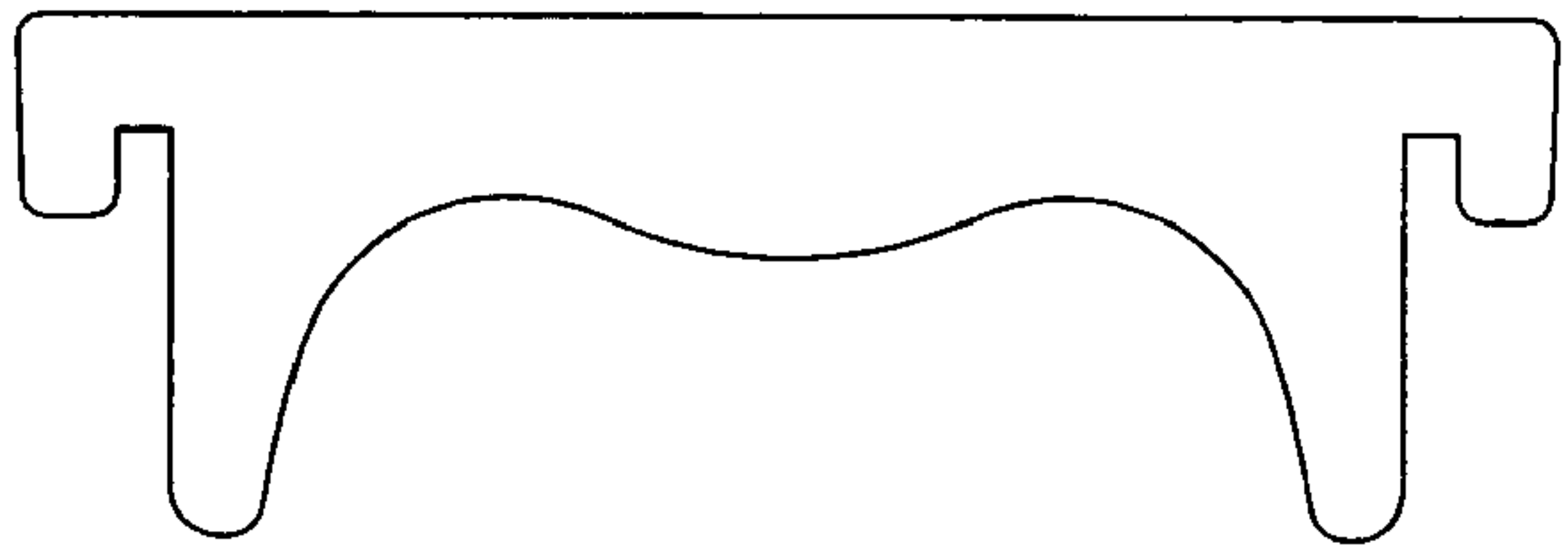


Fig. 7

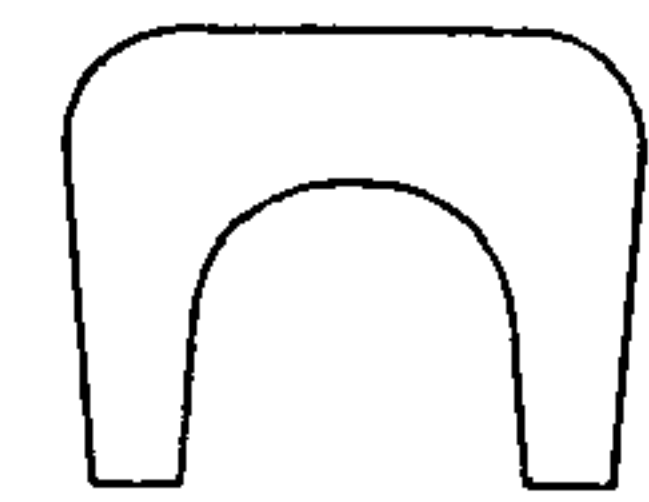


Fig. 8

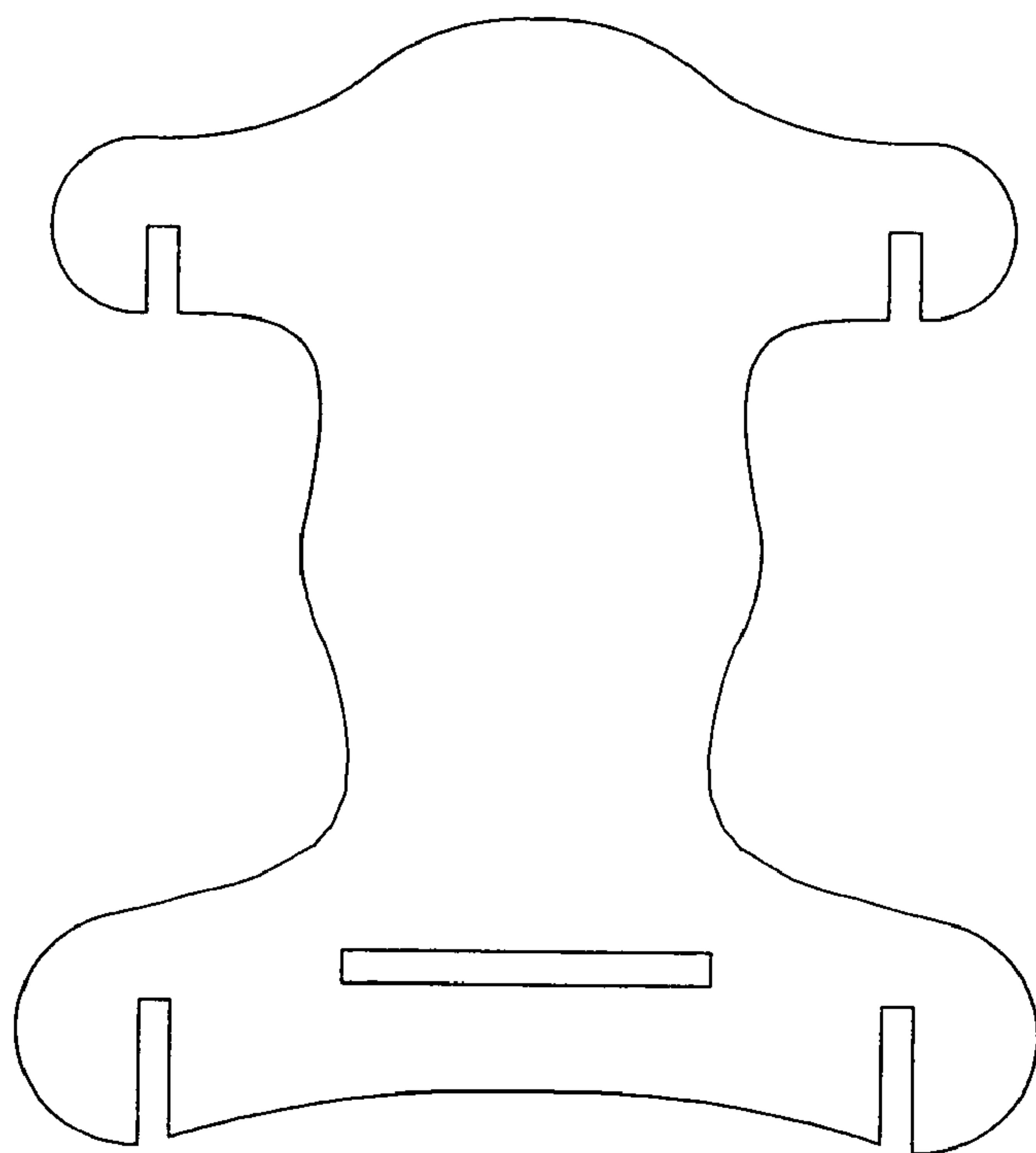


Fig. 9