

US00D547064S

(12) **United States Design Patent**  
**Snell**

(10) **Patent No.:** **US D547,064 S**

(45) **Date of Patent:** **\*\* Jul. 24, 2007**

(54) **DRAWER ORGANIZER**

(75) Inventor: **Russell Benton Snell**, Bentleyville, OH (US)

(73) Assignee: **InterDesign, Inc.**, Solon, OH (US)

(\*\*) Term: **14 Years**

(21) Appl. No.: **29/258,823**

(22) Filed: **Apr. 27, 2006**

(51) **LOC (8) Cl.** ..... **03-01**

(52) **U.S. Cl.** ..... **D3/304; D3/314**

(58) **Field of Classification Search** ..... D3/203.1,  
D3/203.3, 205–206, 273, 276, 304–305;  
D6/475–476, 525; D19/75, 77, 86, 90, 92,  
D19/100; 206/203, 214–215, 822, 307.1;  
229/100, 406, 913–914

See application file for complete search history.

(56) **References Cited**

**U.S. PATENT DOCUMENTS**

D120,991 S *	6/1940	Koch	.....	D11/155
D247,651 S *	3/1978	Carroll et al.	.....	D3/314
D282,808 S *	3/1986	Daenen et al.	.....	D7/602
D307,348 S *	4/1990	Yoshikawa	.....	D3/314
D318,420 S *	7/1991	Amelse	.....	D9/760
D323,296 S *	1/1992	Schoenthaler	.....	D9/456
D336,715 S *	6/1993	Gora et al.	.....	D3/314
D363,662 S *	10/1995	Plater	.....	D9/425
D372,123 S *	7/1996	Kobilarcik et al.	.....	D3/312
D387,559 S *	12/1997	Williamson	.....	D3/313
D397,553 S *	9/1998	Zimmerman	.....	D3/314
D402,466 S *	12/1998	Werbesky, Jr.	.....	D3/314
5,851,484 A *	12/1998	Forno et al.	.....	422/28
D424,298 S *	5/2000	Laib	.....	D7/602
D433,711 S *	11/2000	Andujar	.....	D19/78

D434,074 S *	11/2000	Hardy	.....	D19/75
D461,630 S *	8/2002	Opdyke	.....	D3/201
D461,668 S *	8/2002	Zadro	.....	D6/525
D483,945 S *	12/2003	Tanji	.....	D3/302
D495,491 S *	9/2004	Ramirez et al.	.....	D3/304
D504,017 S *	4/2005	Zimmerman	.....	D3/309
D530,919 S *	10/2006	Snell	.....	D3/304
D531,802 S *	11/2006	Zimmerman	.....	D3/302
2003/0010817 A1 *	1/2003	Lingle et al.	.....	229/406

**OTHER PUBLICATIONS**

2005 InterDesign, Inc. product brochure, p. 42, 43, 51 w/front & back cover.

\* cited by examiner

*Primary Examiner*—Louis S. Zarfaz

*Assistant Examiner*—Eric L. Goodman

(74) *Attorney, Agent, or Firm*—D. Peter Hochberg; Sean Mellino

(57) **CLAIM**

The ornamental design for a drawer organizer, as shown and described.

**DESCRIPTION**

FIG. 1 is a perspective view of the drawer organizer according to the invention;

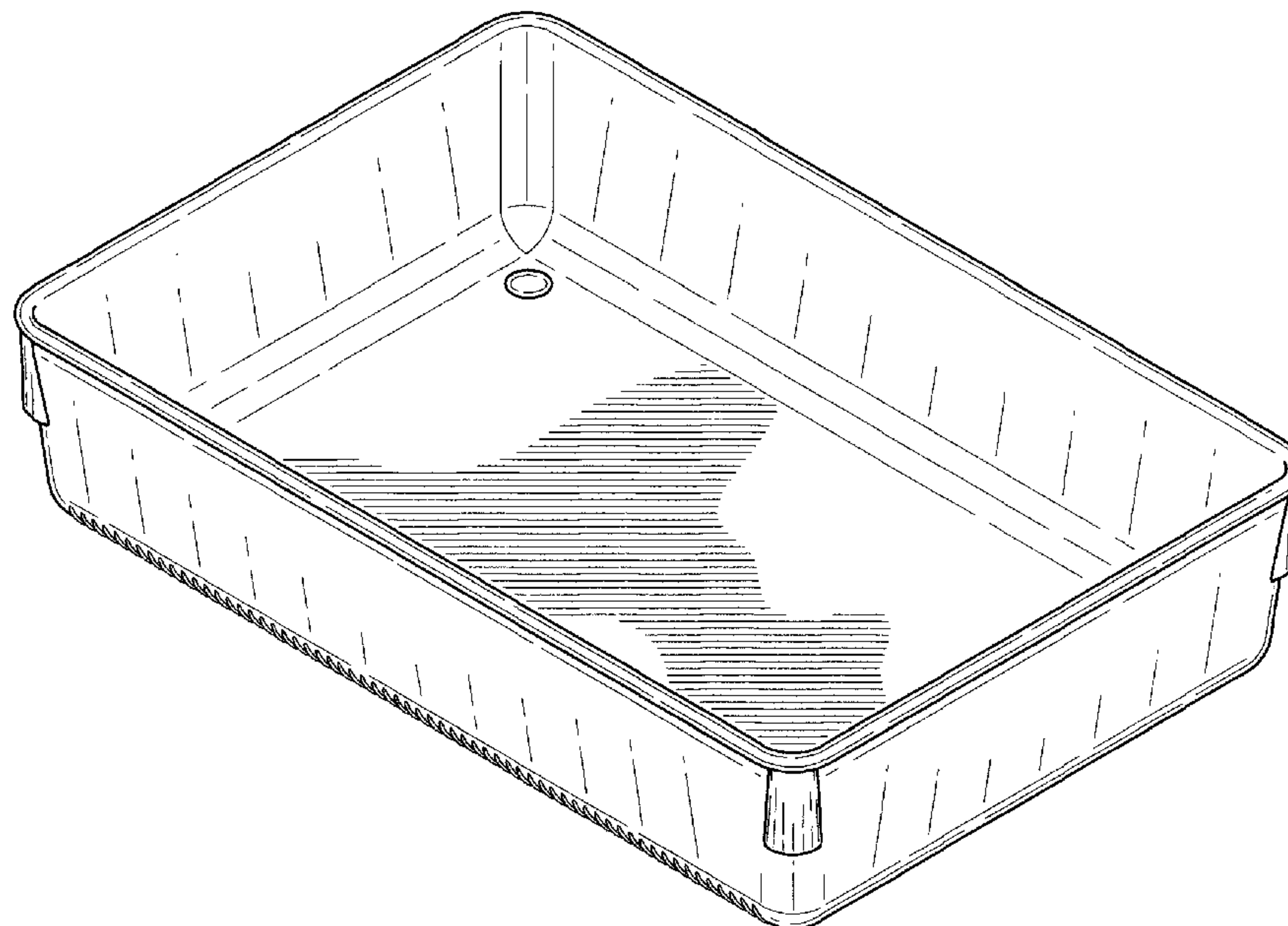
FIG. 2 is a top view of the drawer organizer as shown in FIG. 1;

FIG. 3 is a bottom view of the drawer organizer as shown in FIG. 1;

FIG. 4 is a side view of the drawer organizer as shown in FIG. 1; and,

FIG. 5 is a front/rear view of the drawer organizer as shown in FIG. 1.

**1 Claim, 3 Drawing Sheets**



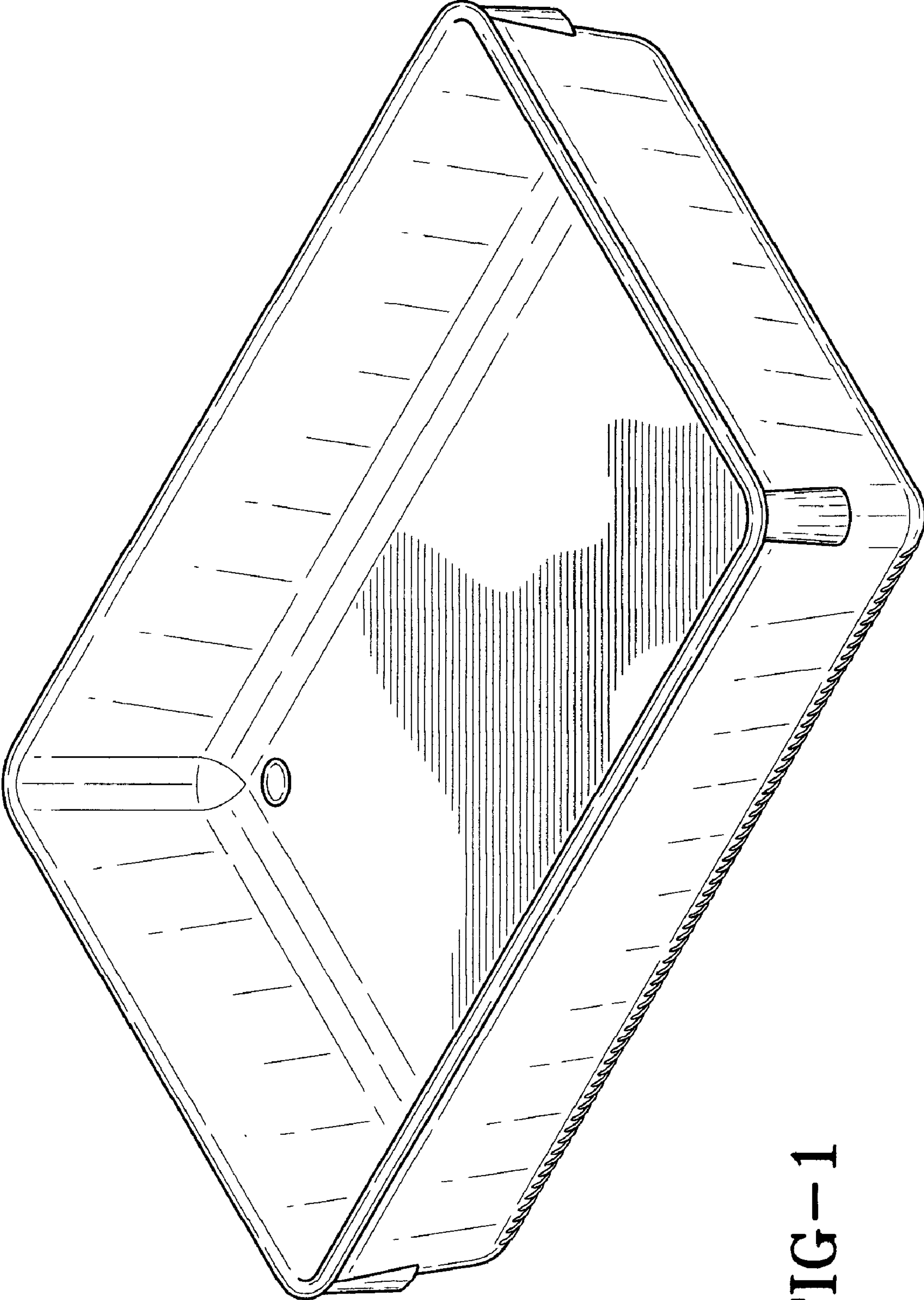


FIG-1



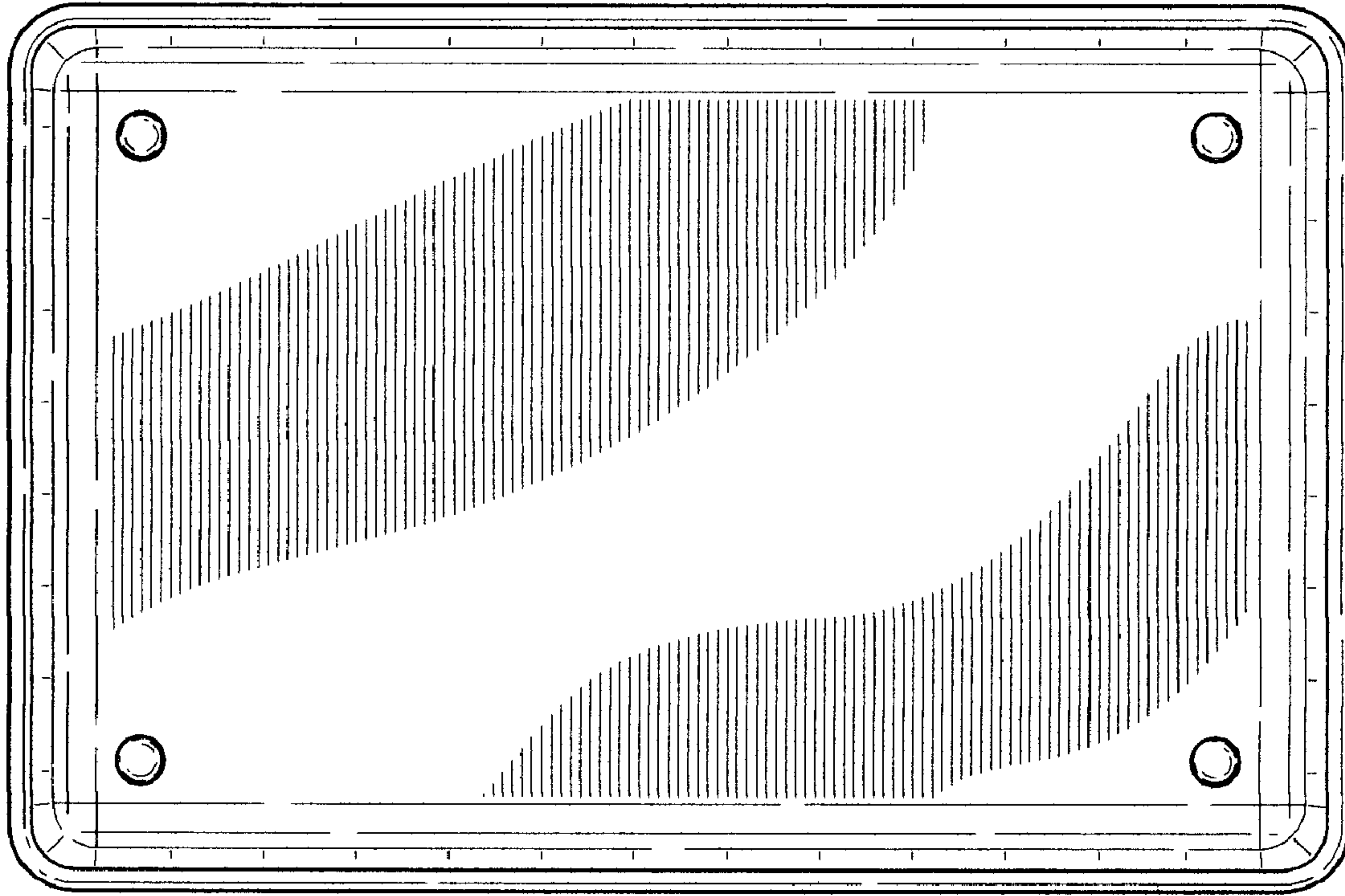


FIG-2

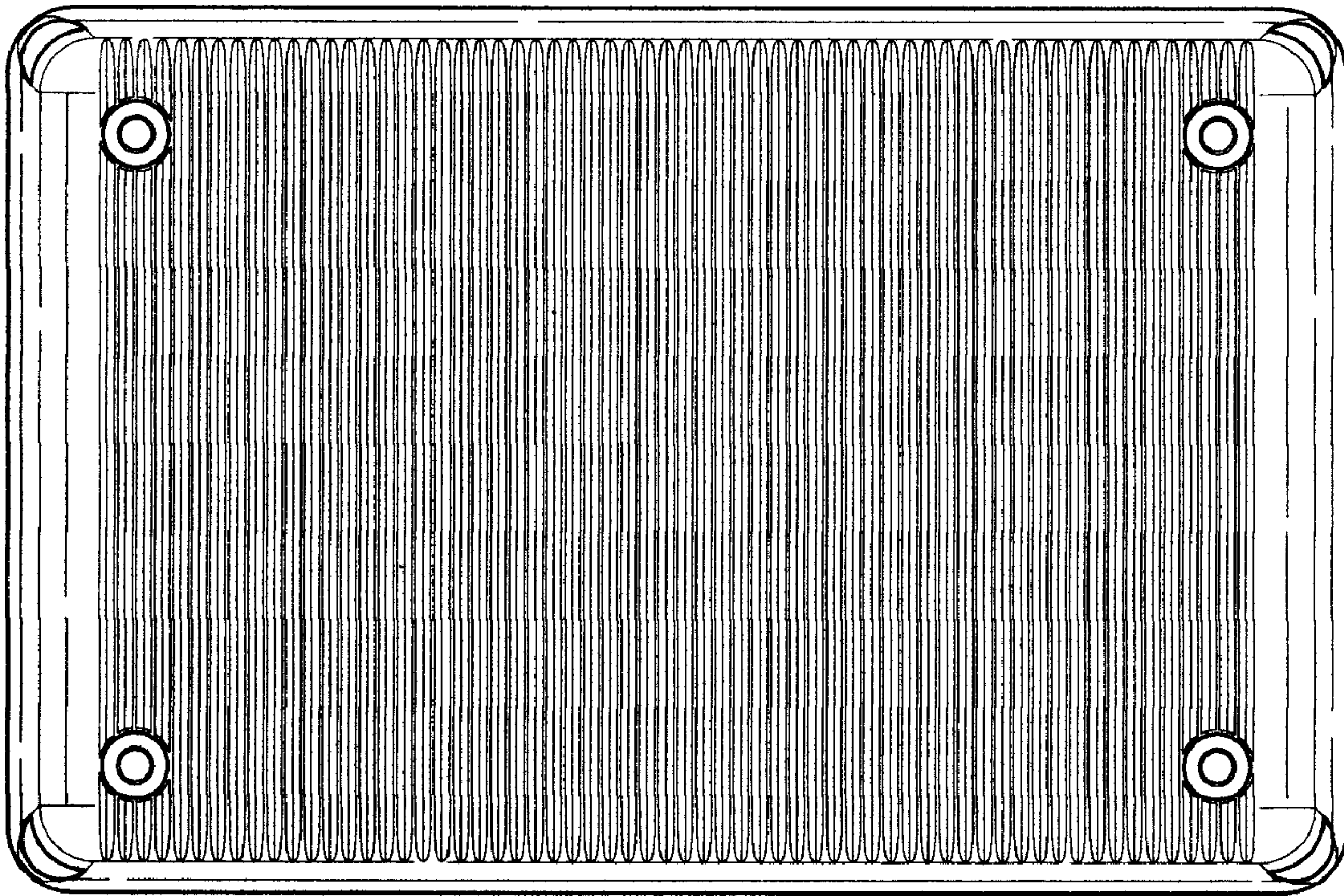


FIG-3

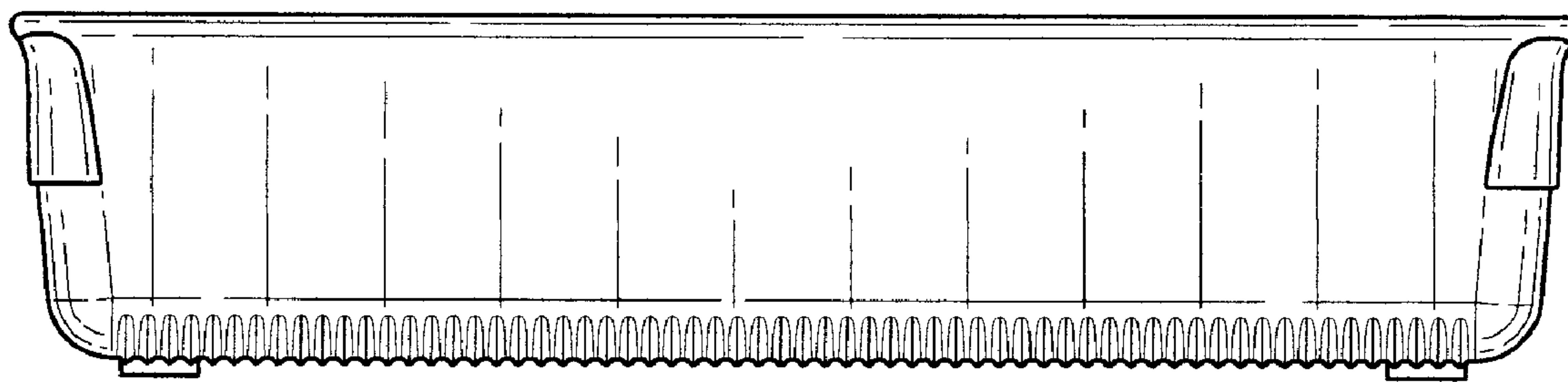


FIG-4

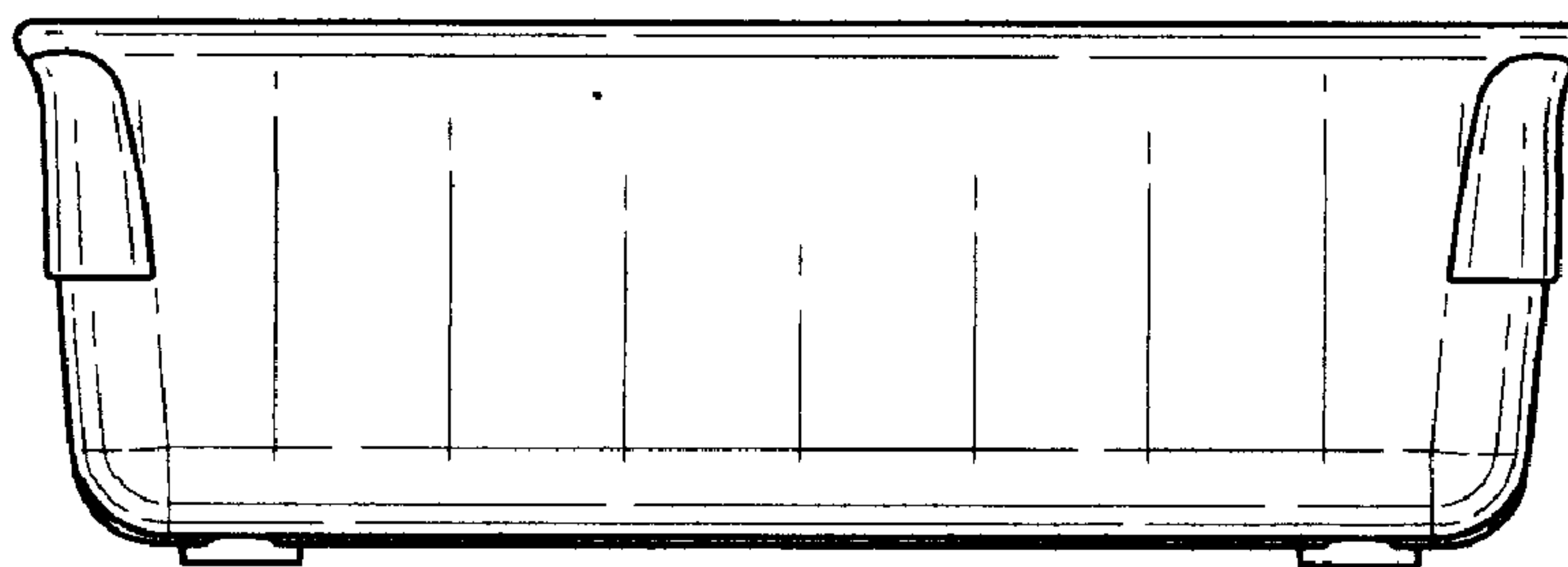


FIG-5