

US00D547062S

(12) **United States Design Patent**
Chang

(10) **Patent No.:** **US D547,062 S**

(45) **Date of Patent:** **** Jul. 24, 2007**

(54) **NAME CARD HOLDER**

6,059,158 A * 5/2000 Hsu 224/274
D431,105 S * 9/2000 Ling D3/228

(76) Inventor: **Shen-Wei Chang**, No. 15, Lane 385,
Kuang-Ming Rd, Chien-Chun Tsun,
Wu-Jih Hsiang, Taichung Hsien (TW)

* cited by examiner

(**) Term: **14 Years**

Primary Examiner—Louis S. Zarfes
Assistant Examiner—Michelle E. Wilson
(74) *Attorney, Agent, or Firm*—MacPherson Kwok Chen &
Heid LLP

(21) Appl. No.: **29/270,872**

(22) Filed: **Jan. 5, 2007**

(57) **CLAIM**

(51) **LOC (8) Cl.** **03-01**

The ornamental design for name card holder, as shown and described.

(52) **U.S. Cl.** **D3/247**

(58) **Field of Classification Search** D3/20,
D3/203.02, 212, 228, 247; D9/415, 418;
224/269, 274

DESCRIPTION

See application file for complete search history.

FIG. 1 is a perspective view of name card holder showing my new design;

(56) **References Cited**

FIG. 2 is a front elevational view thereof;

U.S. PATENT DOCUMENTS

FIG. 3 is a rear elevational view thereof;

D272,201 S * 1/1984 Garcia D3/228

FIG. 4 is a left side elevational view thereof;

4,645,105 A * 2/1987 Plumbridge 224/269

FIG. 5 is a right side elevational view thereof;

D332,347 S * 1/1993 Raadt et al. D3/20

FIG. 6 is a top plan view thereof; and,

D334,534 S * 4/1993 Friz et al. D9/415

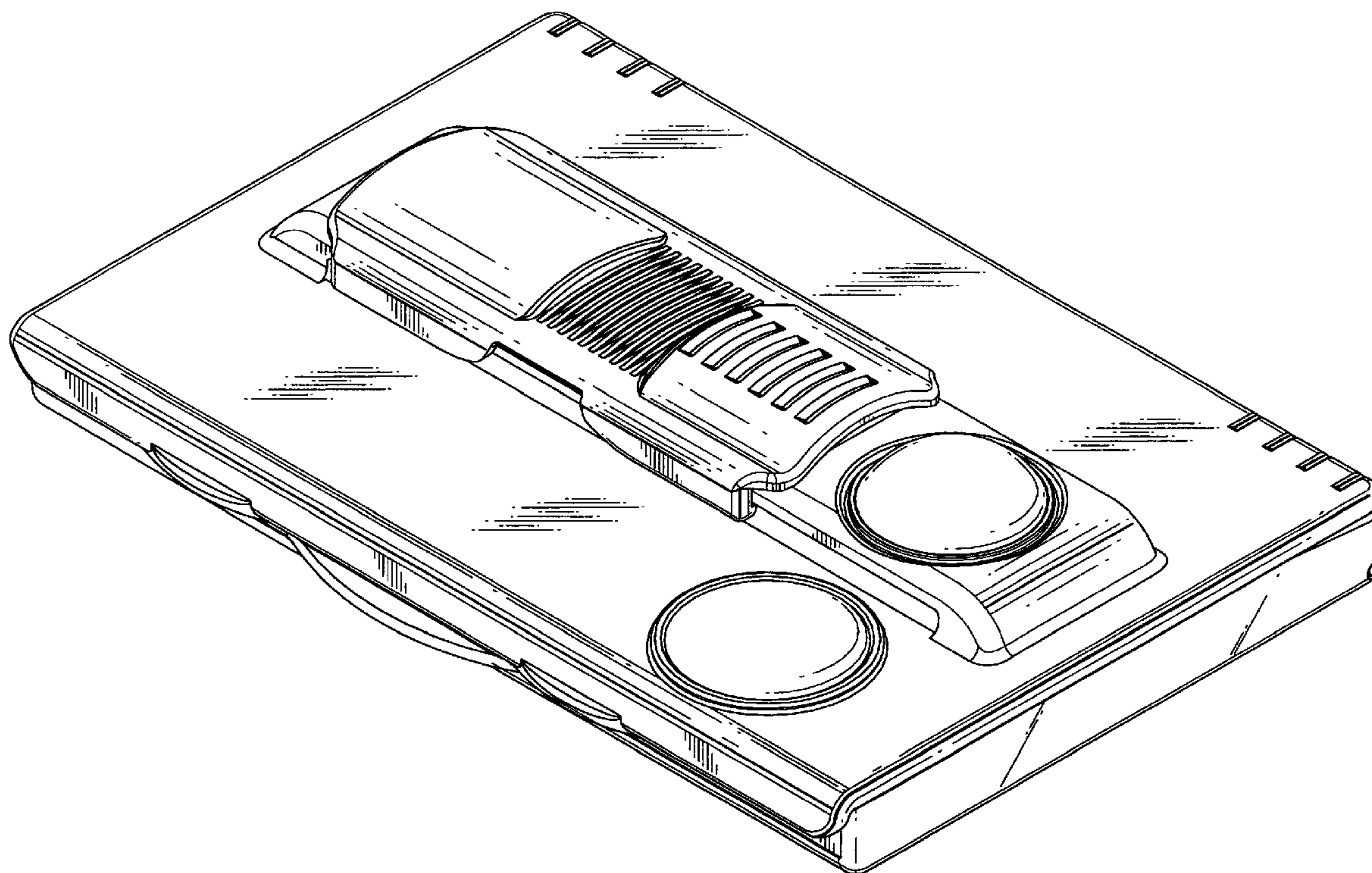
FIG. 7 is a bottom plan view thereof.

D385,107 S * 10/1997 Hsueh D3/228

5,848,742 A * 12/1998 Wang 224/274

D415,345 S * 10/1999 Duran D3/228

1 Claim, 6 Drawing Sheets



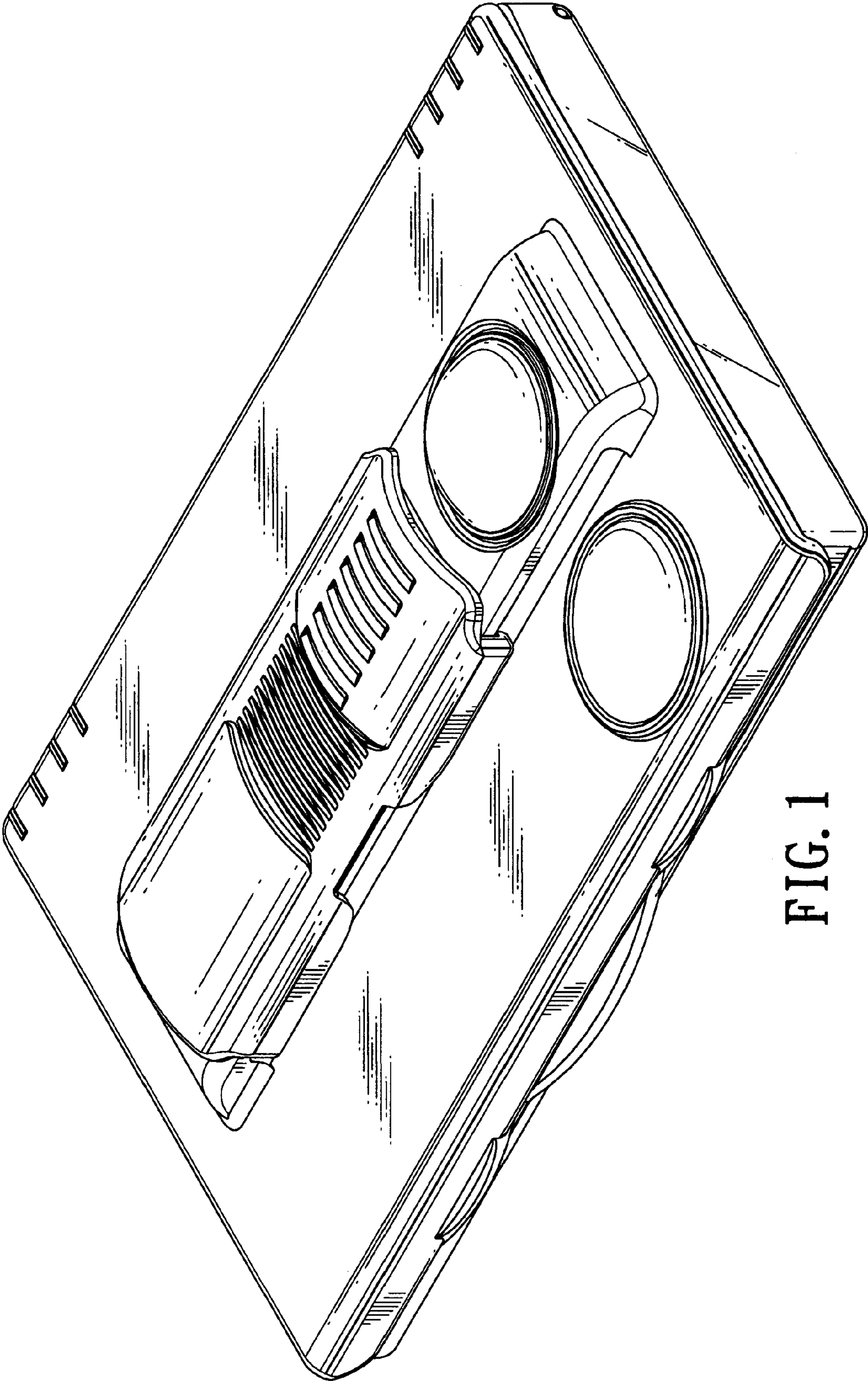


FIG. 1

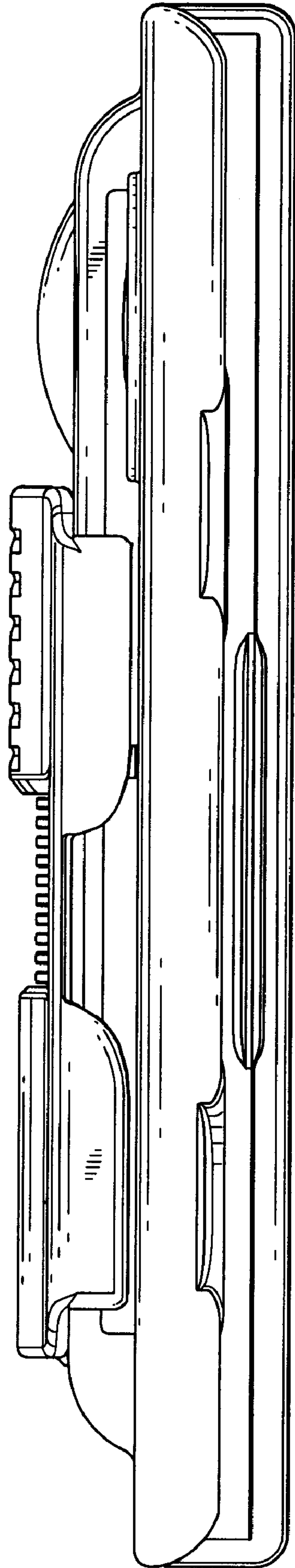


FIG. 2

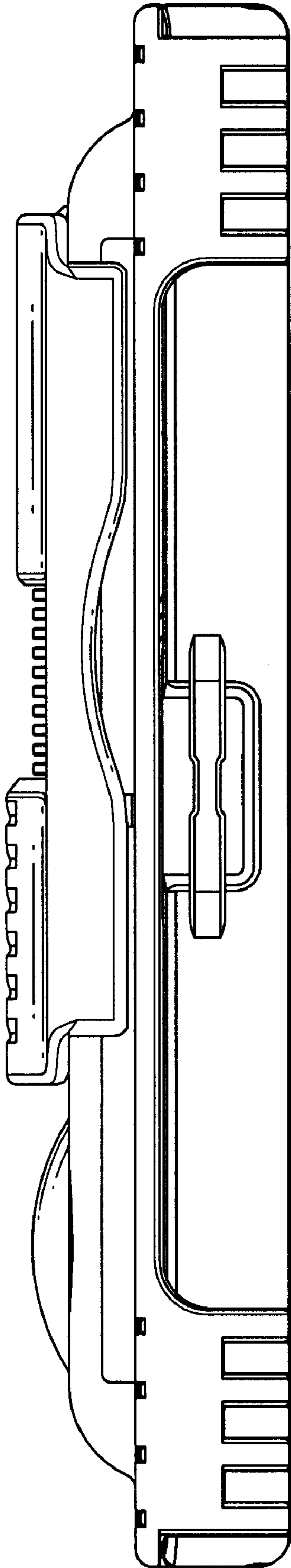


FIG. 3

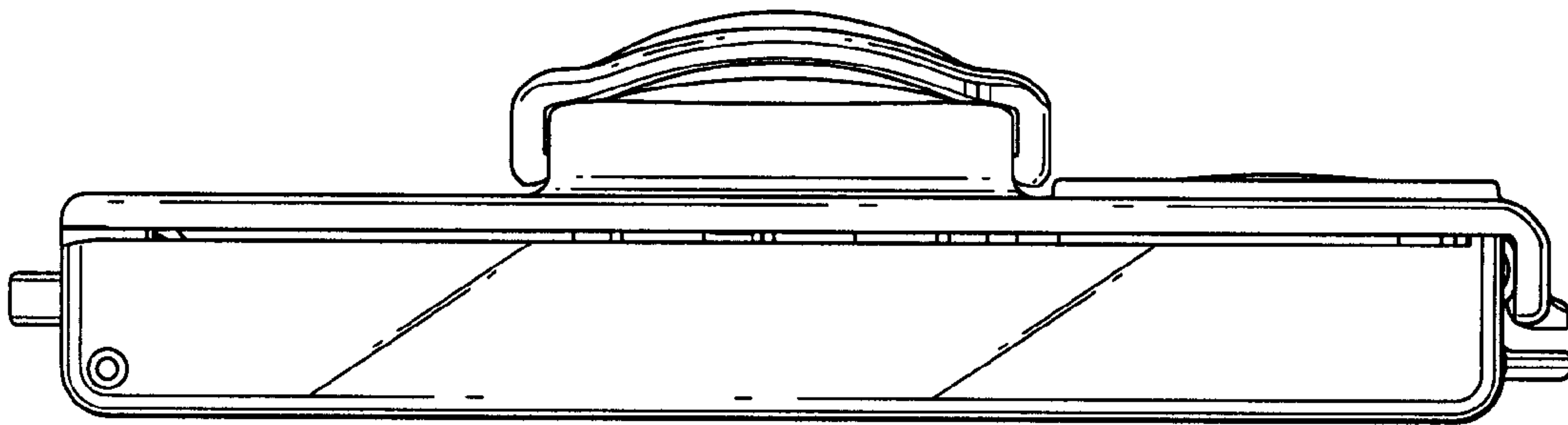


FIG. 4

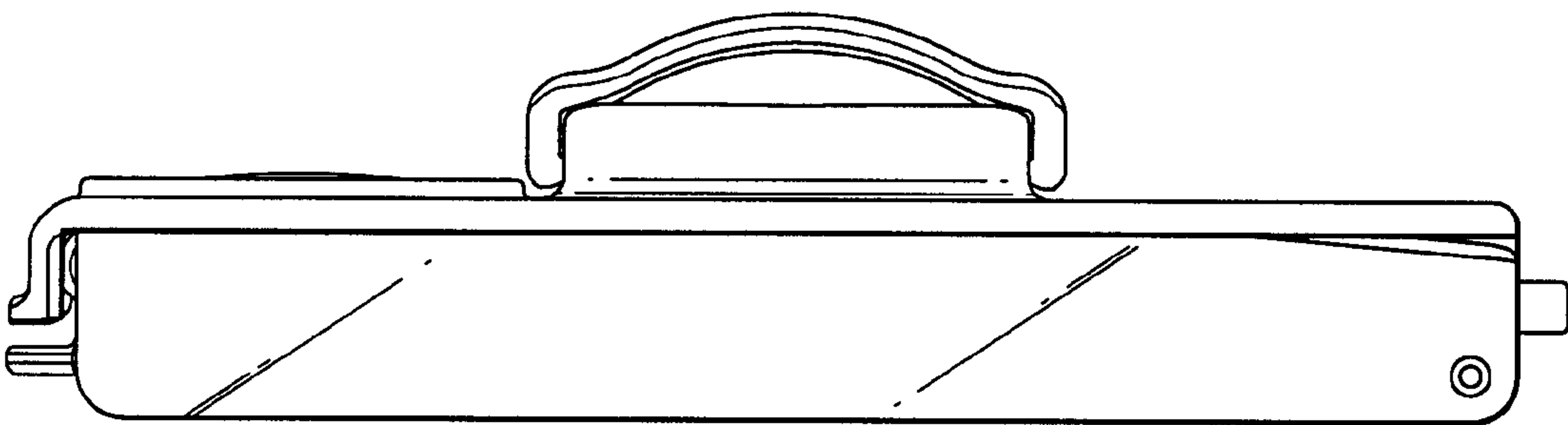


FIG. 5

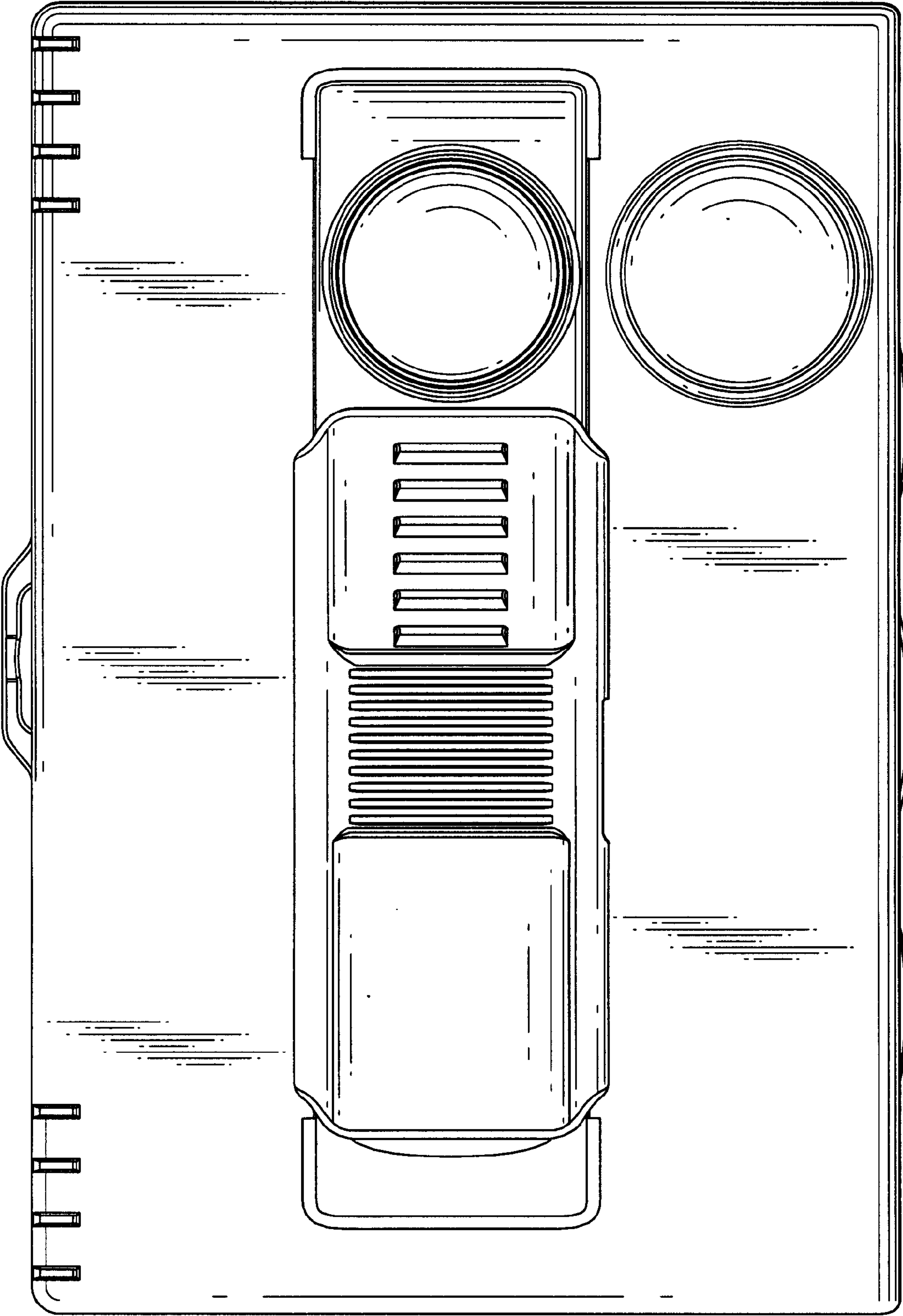


FIG. 6

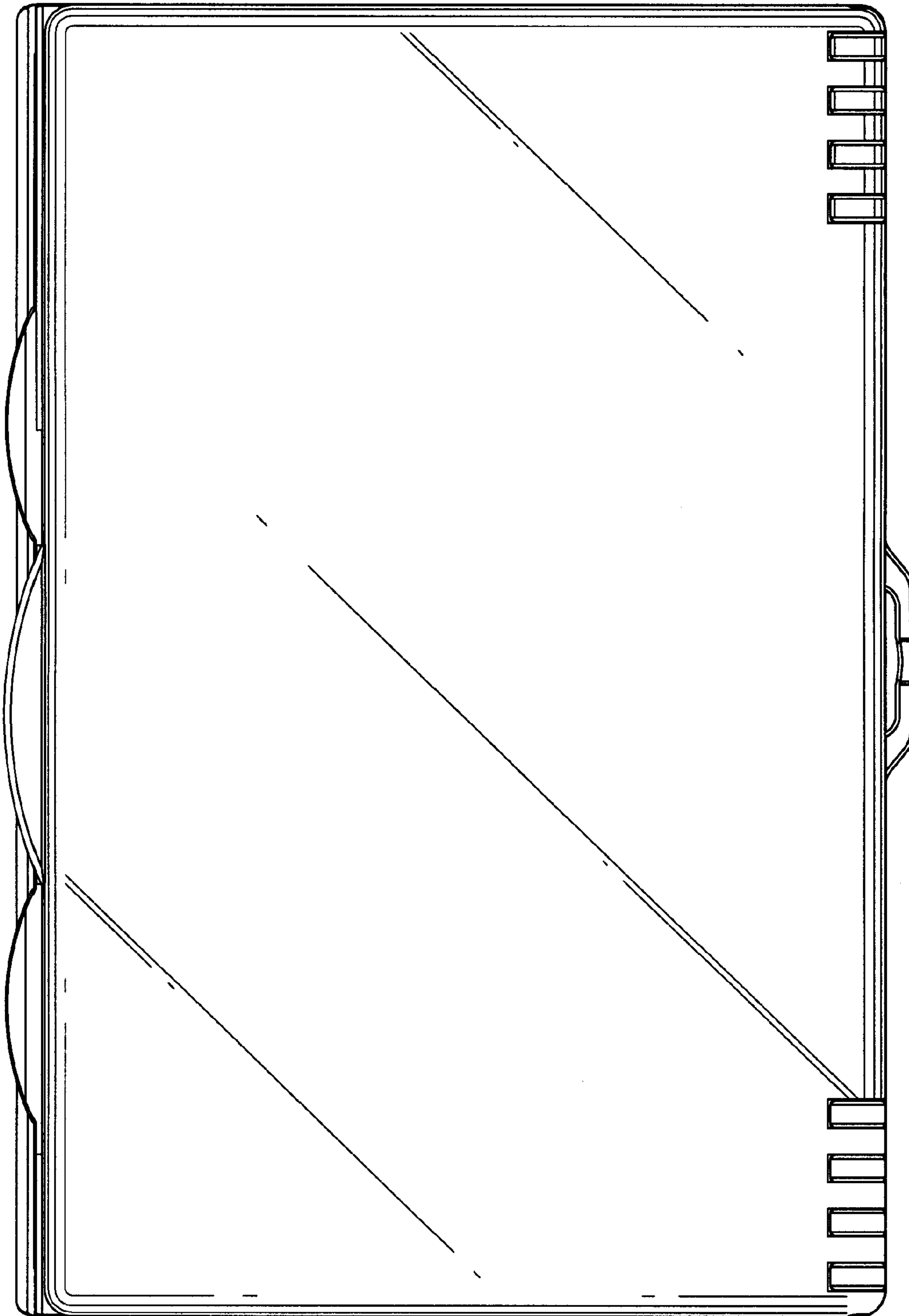


FIG. 7