

US00D547058S

(12) **United States Design Patent**
Power

(10) **Patent No.:** **US D547,058 S**

(45) **Date of Patent:** **** Jul. 24, 2007**

(54) **HANDBAG**

(76) **Inventor:** **Scott Power**, 813 18th St., Santa Monica, CA (US) 90403

(**) **Term:** **14 Years**

(21) **Appl. No.:** **29/230,946**

(22) **Filed:** **May 27, 2005**

(51) **LOC (8) Cl.** **03-01**

(52) **U.S. Cl.** **D3/232**

(58) **Field of Classification Search** D3/232, D3/234, 238, 240, 241, 242, 243, 244, 245, D3/246, 303, 318, 319, 321, 322, 323, 324, D3/325, 326, 900, 902; 150/100, 107, 108, 150/110, 111, 118, 119, 120; 190/100, 108, 190/109, 112, 115, 900, 902, 903; 383/6, 383/25, 30, 31, 38, 42, 70, 71, 72, 74, 75, 383/76, 78, 84, 117, 907

See application file for complete search history.

(56) **References Cited**

U.S. PATENT DOCUMENTS

D140,328 S * 2/1945 Siegel D3/242
D155,811 S * 11/1949 Kigere D3/233

D180,036 S * 4/1957 Silverman D3/242
3,225,805 A * 12/1965 Wise 150/118
4,799,521 A * 1/1989 Shick 150/107
D468,527 S * 1/2003 Nevins D3/246

* cited by examiner

Primary Examiner—Louis S. Zarfaz

Assistant Examiner—Monica A. Weingart

(74) *Attorney, Agent, or Firm*—Chernow Katz, LLC

(57) **CLAIM**

The ornamental design for a handbag, as shown and described.

DESCRIPTION

FIG. 1 is a front perspective view of a handbag showing my new design;

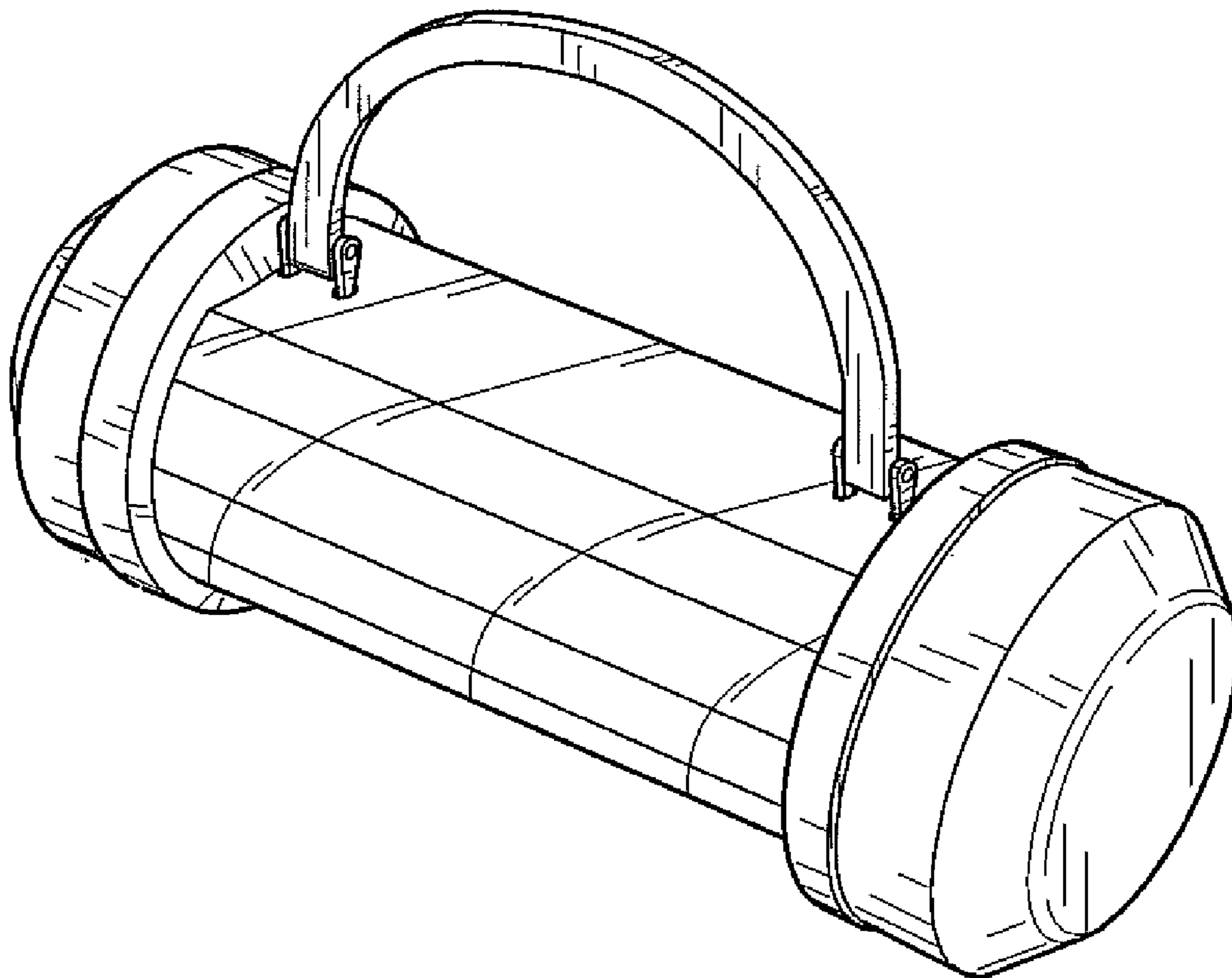
FIG. 2 is a front elevational view, the rear being identical thereof;

FIG. 3 is a top plan view thereof;

FIG. 4 is a bottom plan view thereof; and,

FIG. 5 is a right side elevational view, the left side being identical thereof.

1 Claim, 2 Drawing Sheets



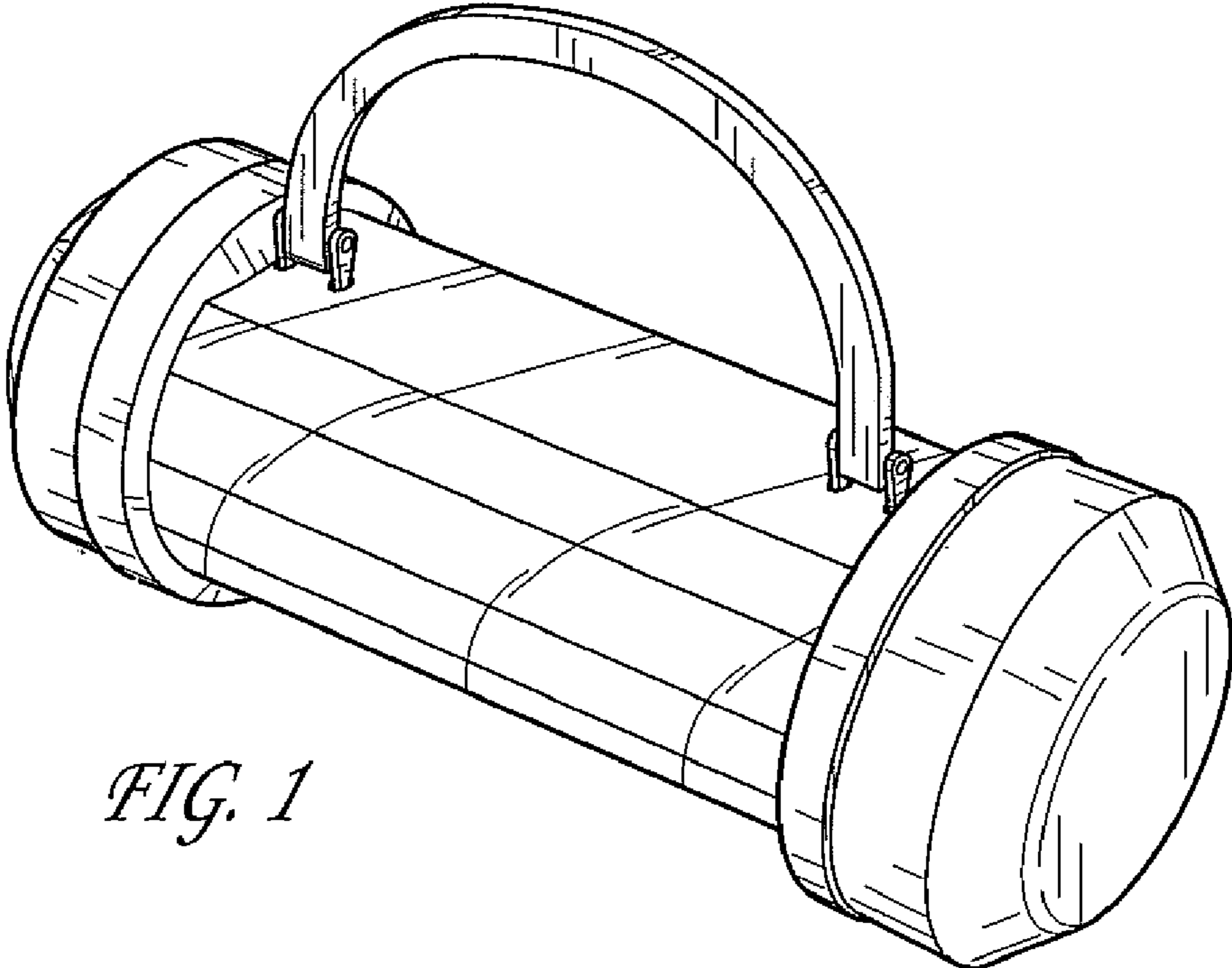


FIG. 1

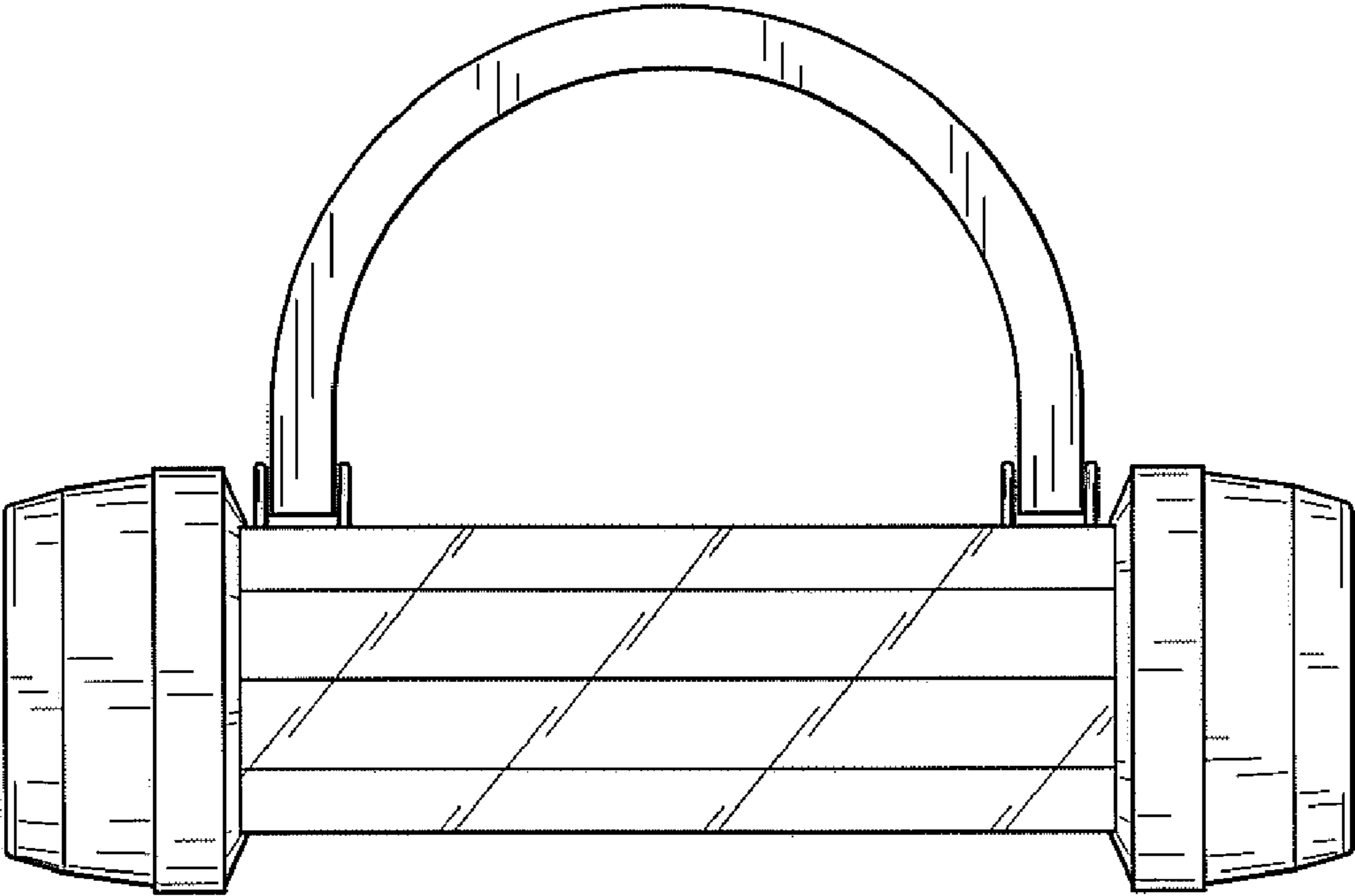


FIG. 2

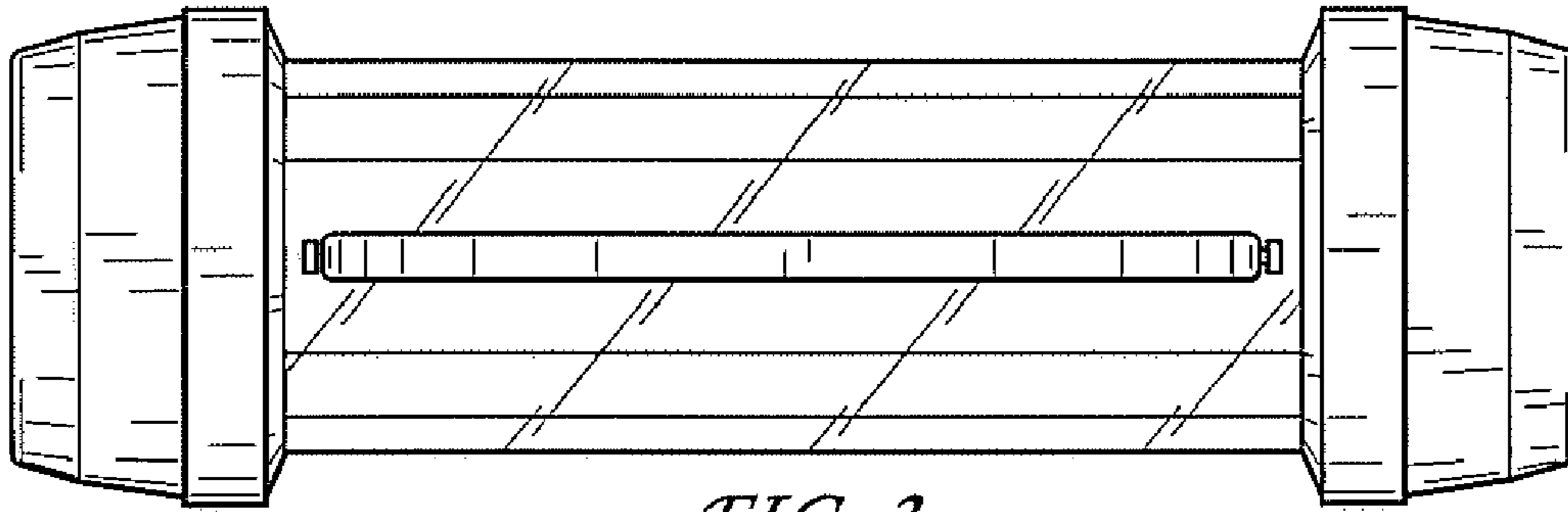


FIG. 3

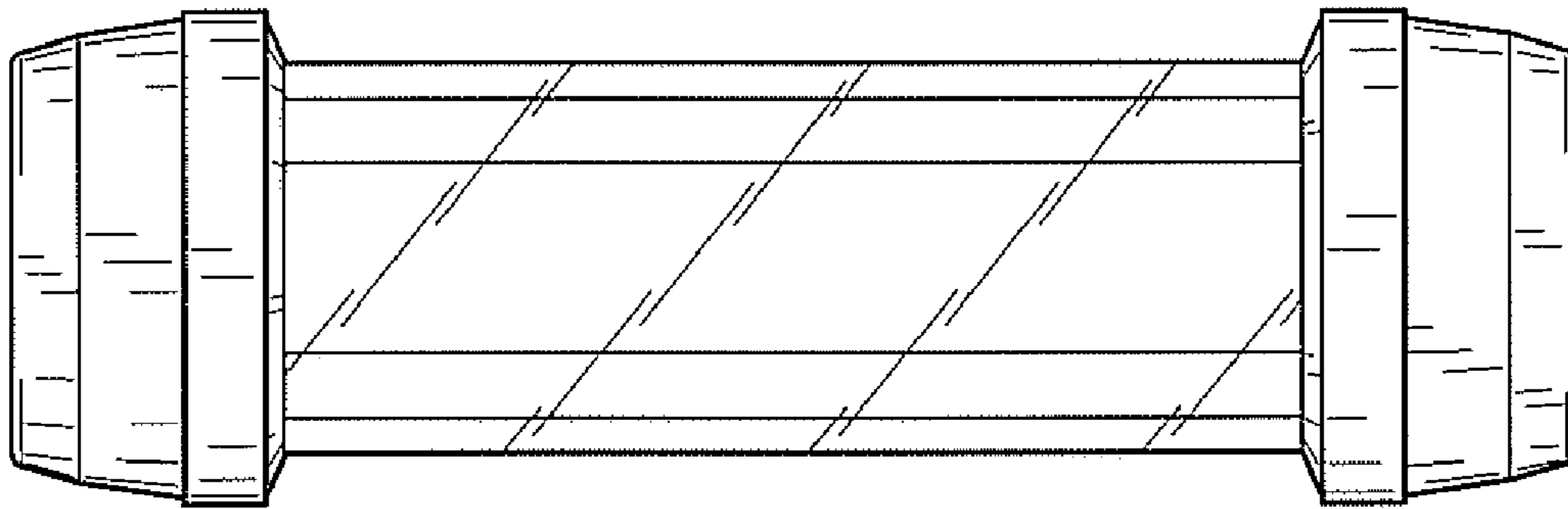


FIG. 4

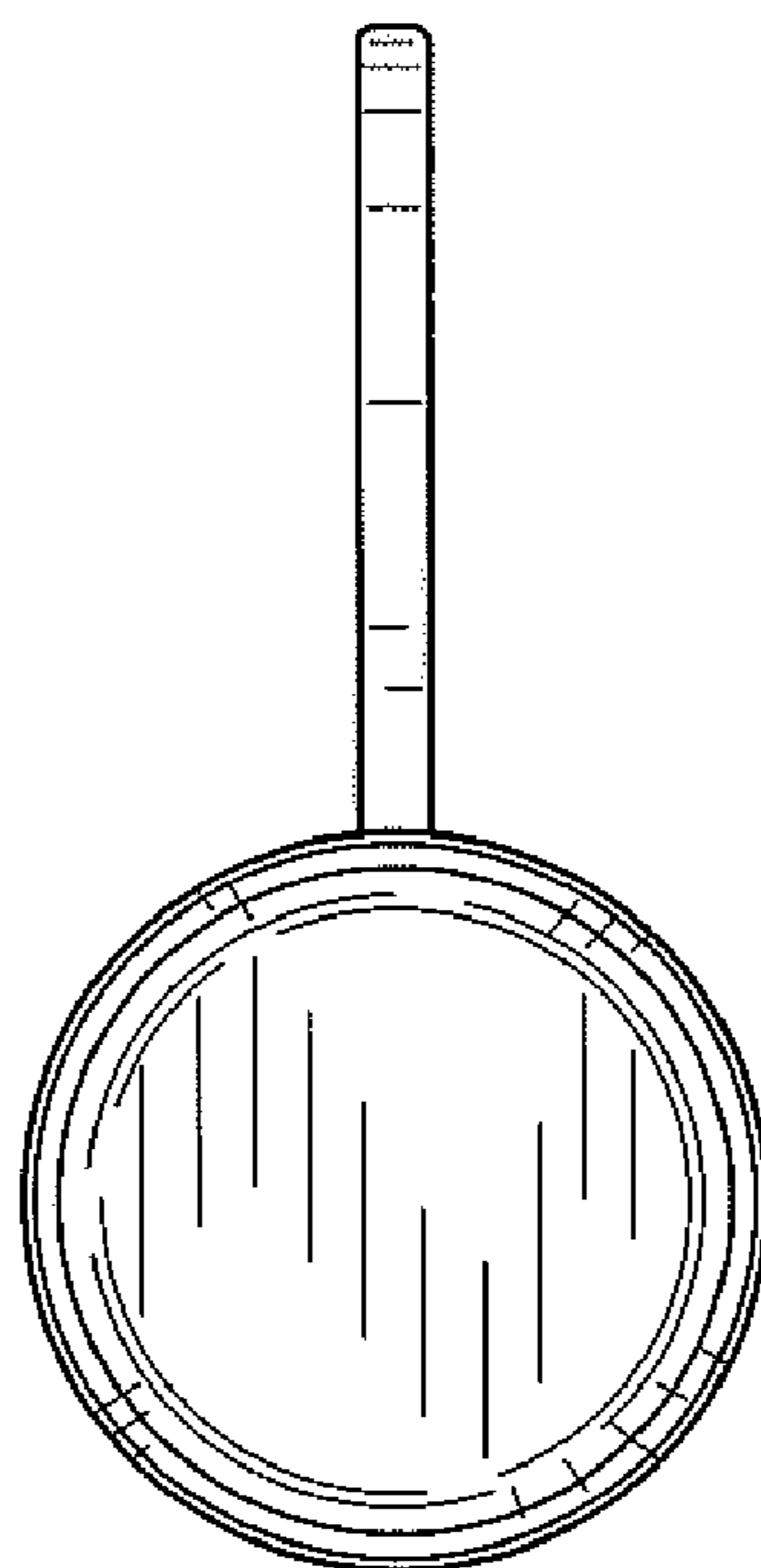


FIG. 5