



US00D547050S

(12) **United States Design Patent** (10) **Patent No.:** **US D547,050 S**
Settles et al. (45) **Date of Patent:** **** Jul. 24, 2007**

(54) **SEWING BASKET**
(75) Inventors: **Teresa Settles**, Tryon, NC (US);
Victoria Waller, San Mateo, CA (US)
(73) Assignee: **Pyrm Consumer USA Inc.**,
Spartanburg, SC (US)

D416,683 S 11/1999 Lacy et al.
D434,227 S 11/2000 Lacy et al.
D443,984 S 6/2001 Lacy et al.
6,247,328 B1 6/2001 Mogil
D463,913 S 10/2002 Lacy et al.
D469,610 S 2/2003 Corp et al.
D471,015 S 3/2003 Lacy et al.
D500,201 S * 12/2004 McGinnis et al. D3/23
D504,566 S 5/2005 Guy
D526,122 S 8/2006 Dodds

(**) Term: **14 Years**
(21) Appl. No.: **29/262,000**

(22) Filed: **Jun. 23, 2006**

(51) **LOC (8) Cl.** **03-01**
(52) **U.S. Cl.** **D3/20**
(58) **Field of Classification Search** D3/18-29,
D3/242, 276, 279, 291, 306, 307, 309; D9/651,
D9/654, 700; 223/106, 108, 109 R; 217/122-125
See application file for complete search history.

(56) **References Cited**

U.S. PATENT DOCUMENTS

D87,625 S * 8/1932 Davitt D3/21
2,537,725 A 1/1951 Watson
D177,938 S 6/1956 Rosenberg
D177,939 S 6/1956 Rosenberg
2,787,821 A 4/1957 Shukait
2,808,171 A 10/1957 Wilson
D217,112 S * 4/1970 Petitto D3/20
D240,888 S 8/1976 Roussel
4,499,999 A 2/1985 Behar
D289,127 S 4/1987 Blumenthal
D294,773 S * 3/1988 Beaty D3/23
D320,142 S 9/1991 Kin
D333,386 S 2/1993 Kahl
D338,332 S * 8/1993 Ancona et al. D3/20
D346,065 S * 4/1994 Rooks D3/23
D365,207 S 12/1995 Lacy
D385,698 S 11/1997 Lacy
D390,359 S 2/1998 Lacy
D396,748 S 8/1998 Dodds
D415,897 S 11/1999 Lacy et al.

OTHER PUBLICATIONS

Small Soire Sage Sewing Basket, Jo-Ann Stores, Sep. 27, 2006
<http://www.amazon.com/Small-Soire-Sage-Sewing-Basket/dp/B0002TTLU4/sf=8-15/qid=>.

(Continued)

Primary Examiner—Louis S. Zarfaz
Assistant Examiner—Anhdao Doan
(74) *Attorney, Agent, or Firm*—J. Bennett Mullinax, LLC

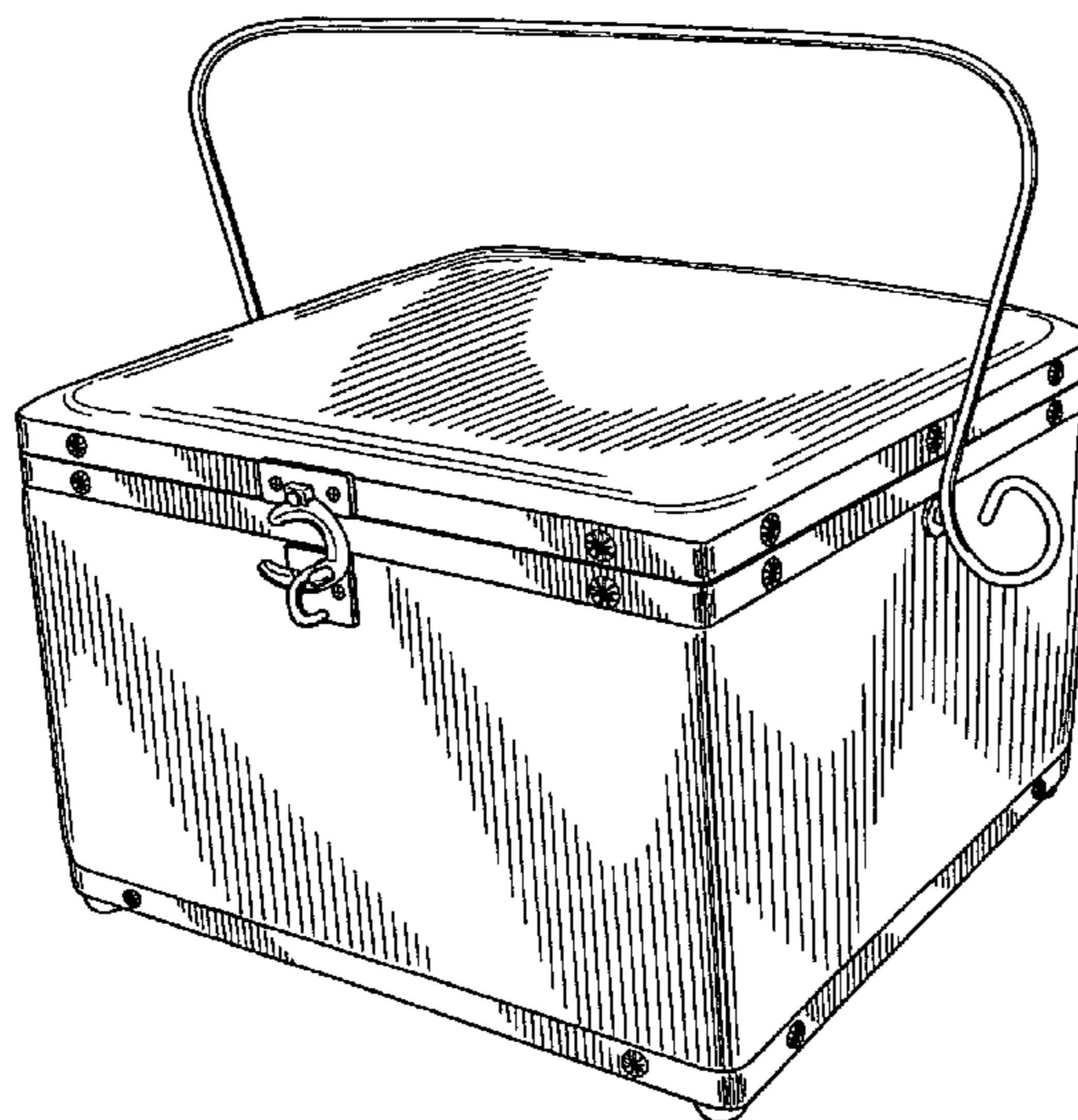
(57) **CLAIM**

The ornamental design for a sewing basket, as shown and described.

DESCRIPTION

FIG. 1 is a perspective view of a sewing basket.
FIG. 2 is a front plan view of the sewing basket seen in FIG. 1.
FIG. 3 is a rear plan view of the sewing basket seen in FIG. 1.
FIG. 4 is a top plan view of the sewing basket of FIG. 1.
FIG. 5 is a bottom plan view of the sewing basket of FIG. 1.
FIG. 6 is a left elevation view of the sewing basket of FIG. 1; and,
FIG. 7 is a right elevation view of the sewing basket of FIG. 1.

1 Claim, 4 Drawing Sheets



OTHER PUBLICATIONS

Small Paris Sage—Sewing Basket, Jo-Ann Stores, Sep. 27, 2006
<http://www.joann.com/catalog.jhtml?CATID=106971&PRODID=92263>.

Small Zia Patina—Sewing Basket, Jo-Ann Stores, Sep. 27, 2006
<http://www.joann.com/catalog.jhtml?CATID=106971&PRODID=92260>.

* cited by examiner

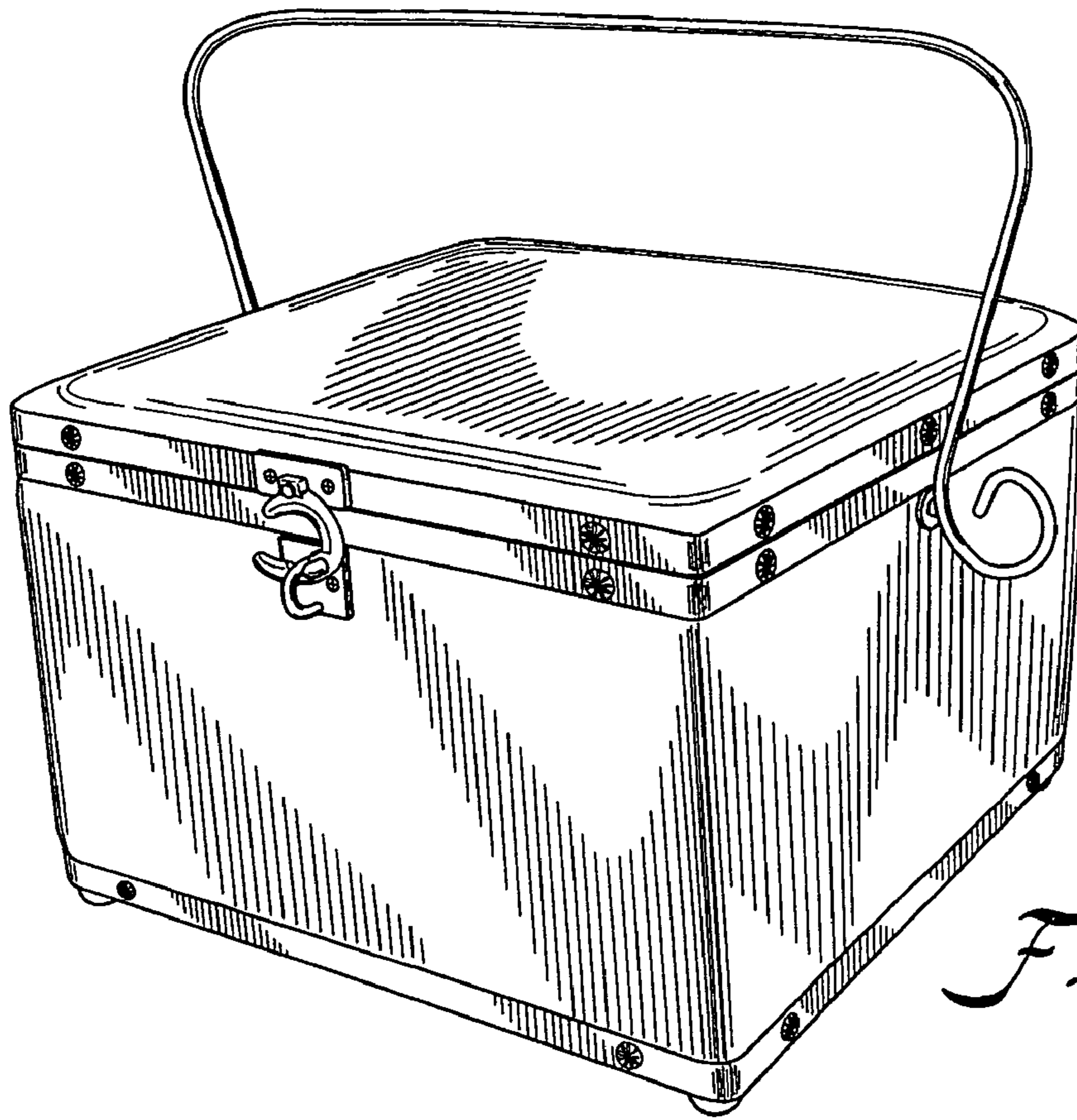


Fig. 1

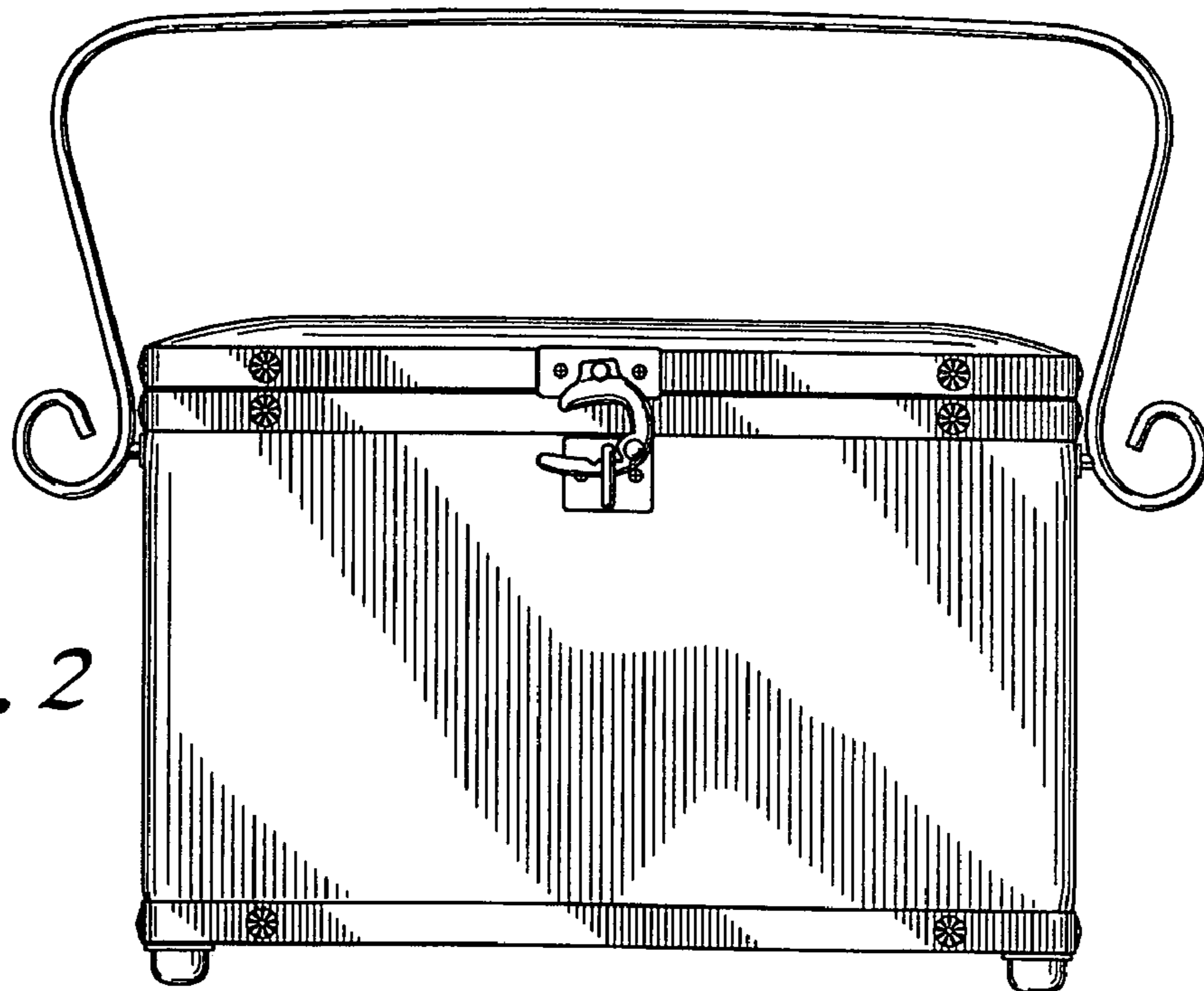


Fig. 2

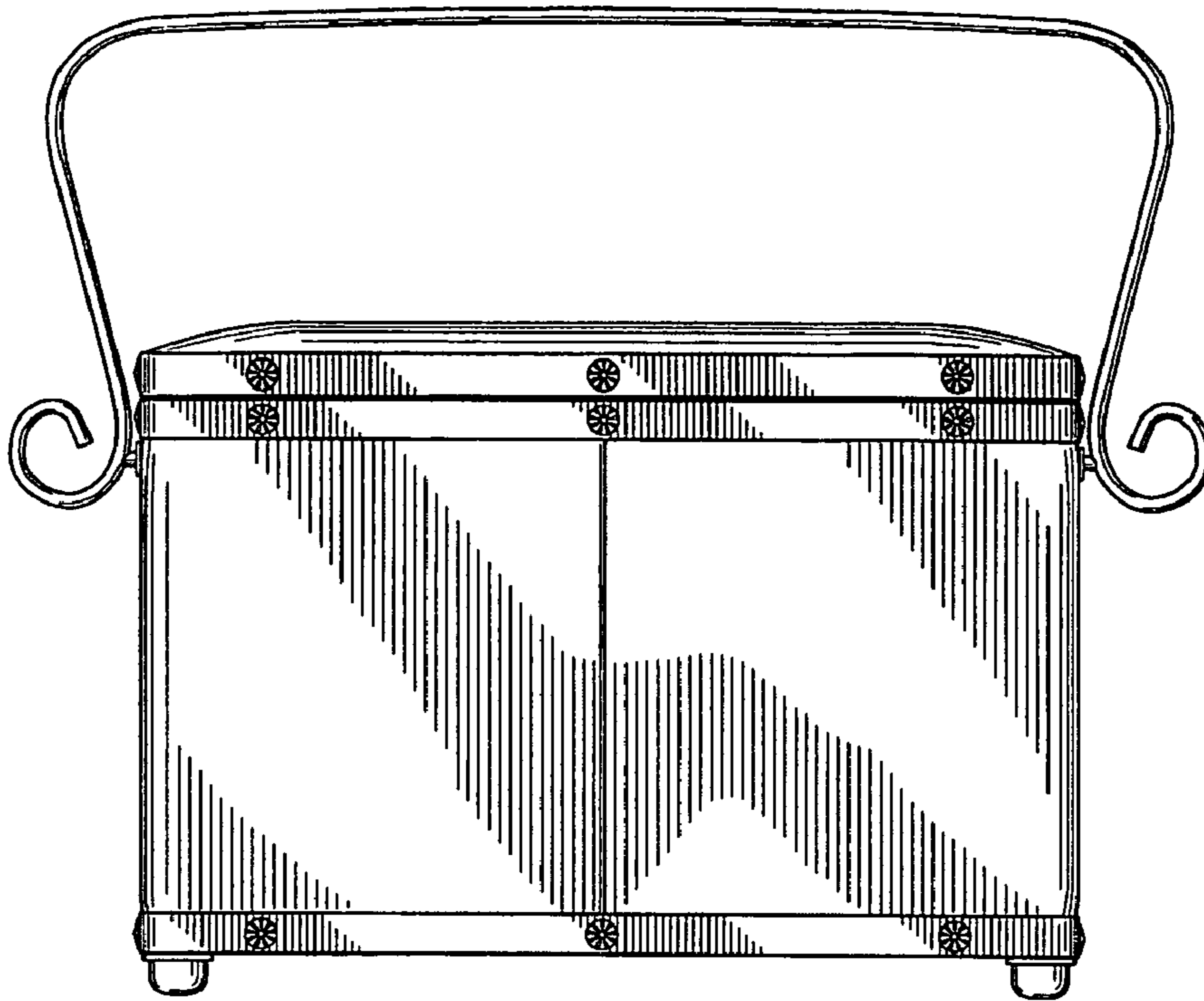


Fig. 3

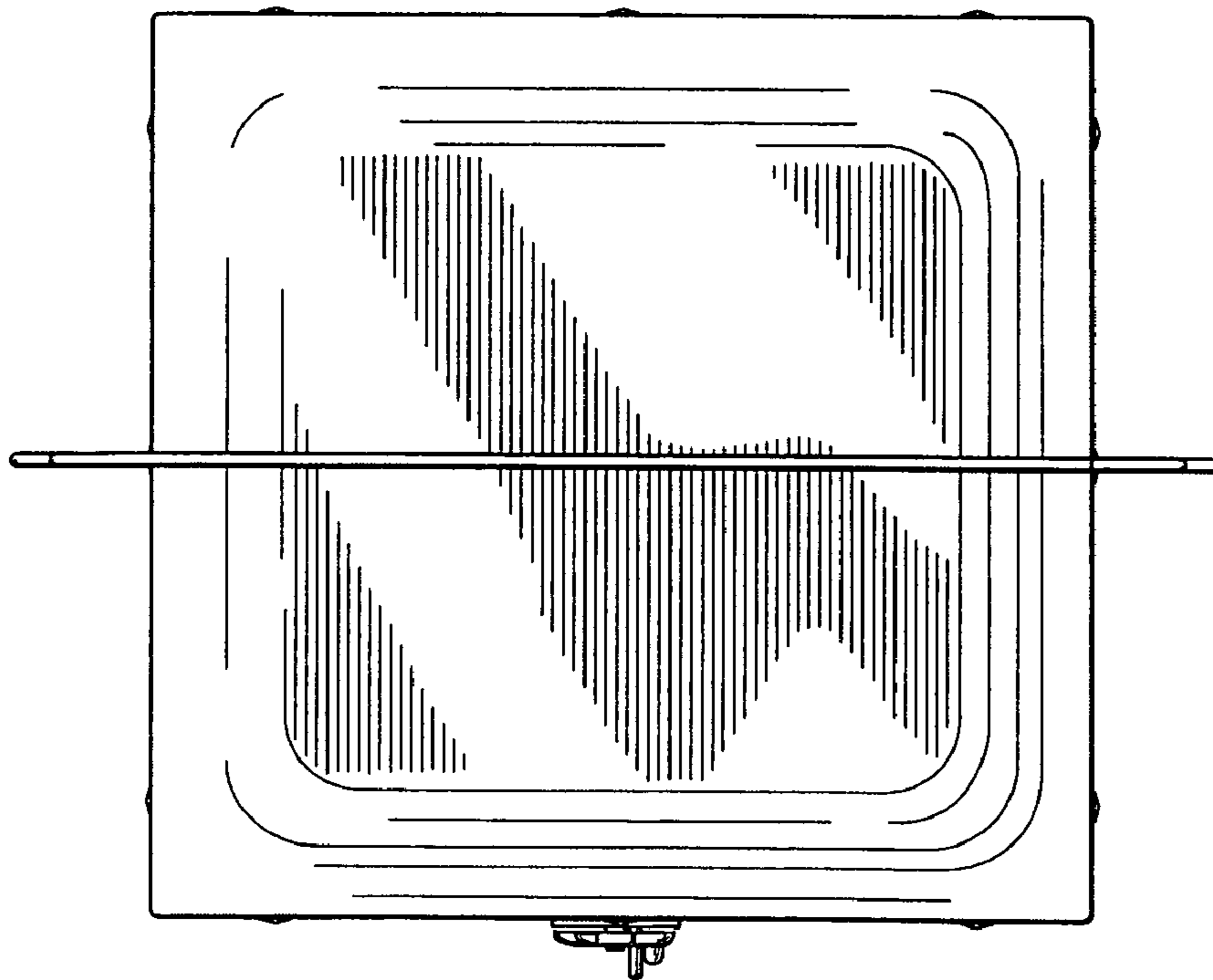


Fig. 4

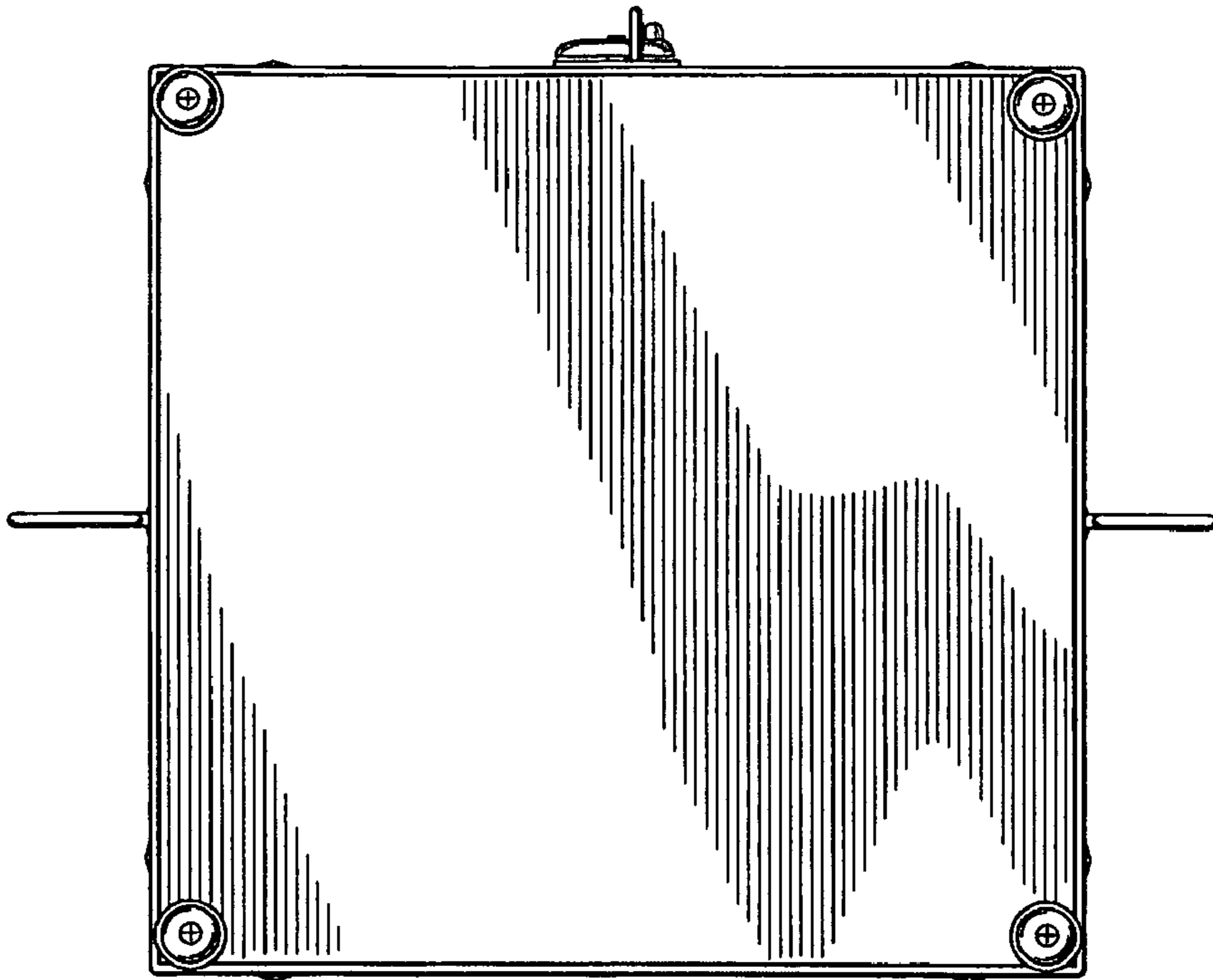


Fig. 5

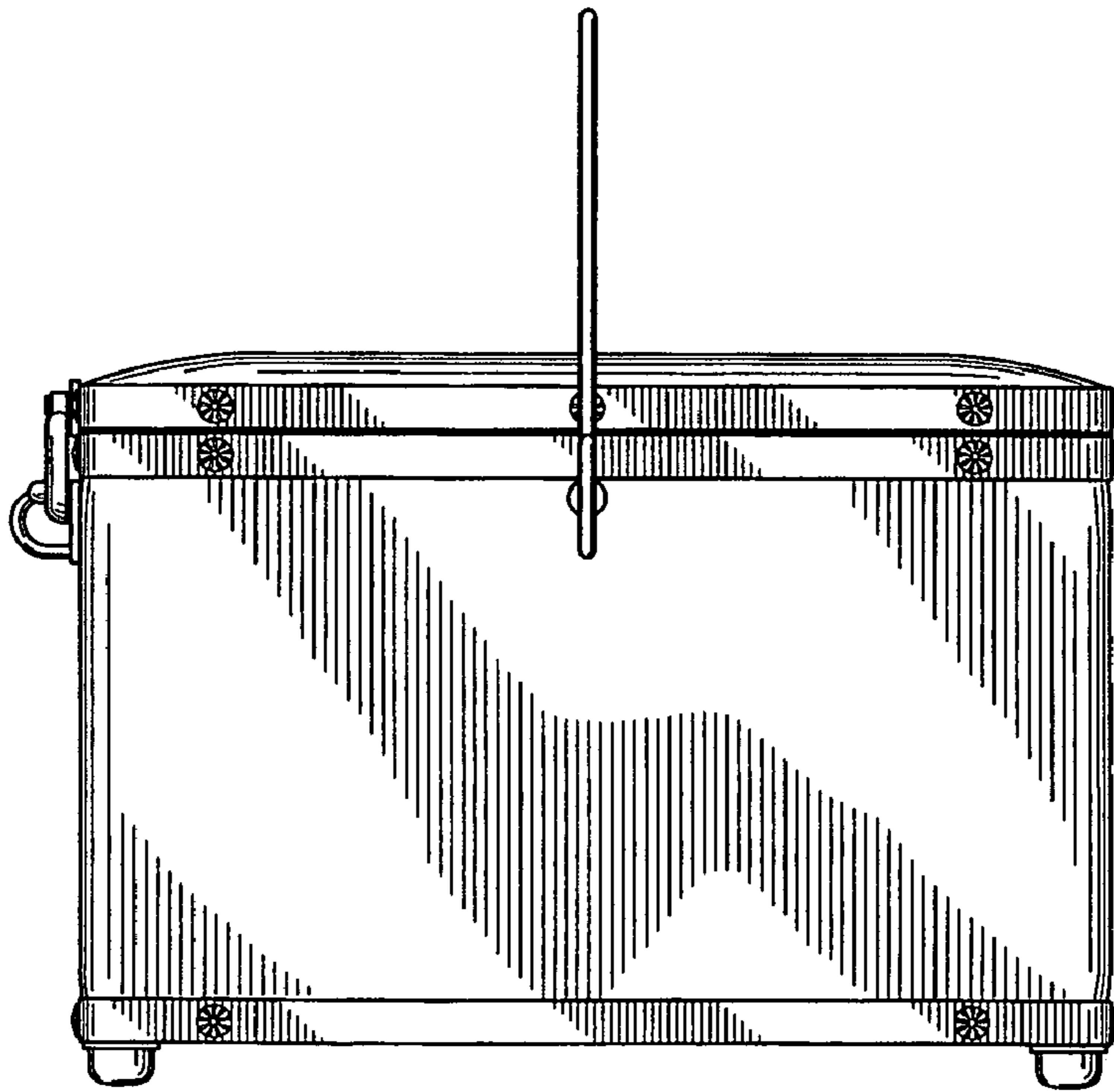


Fig. 6

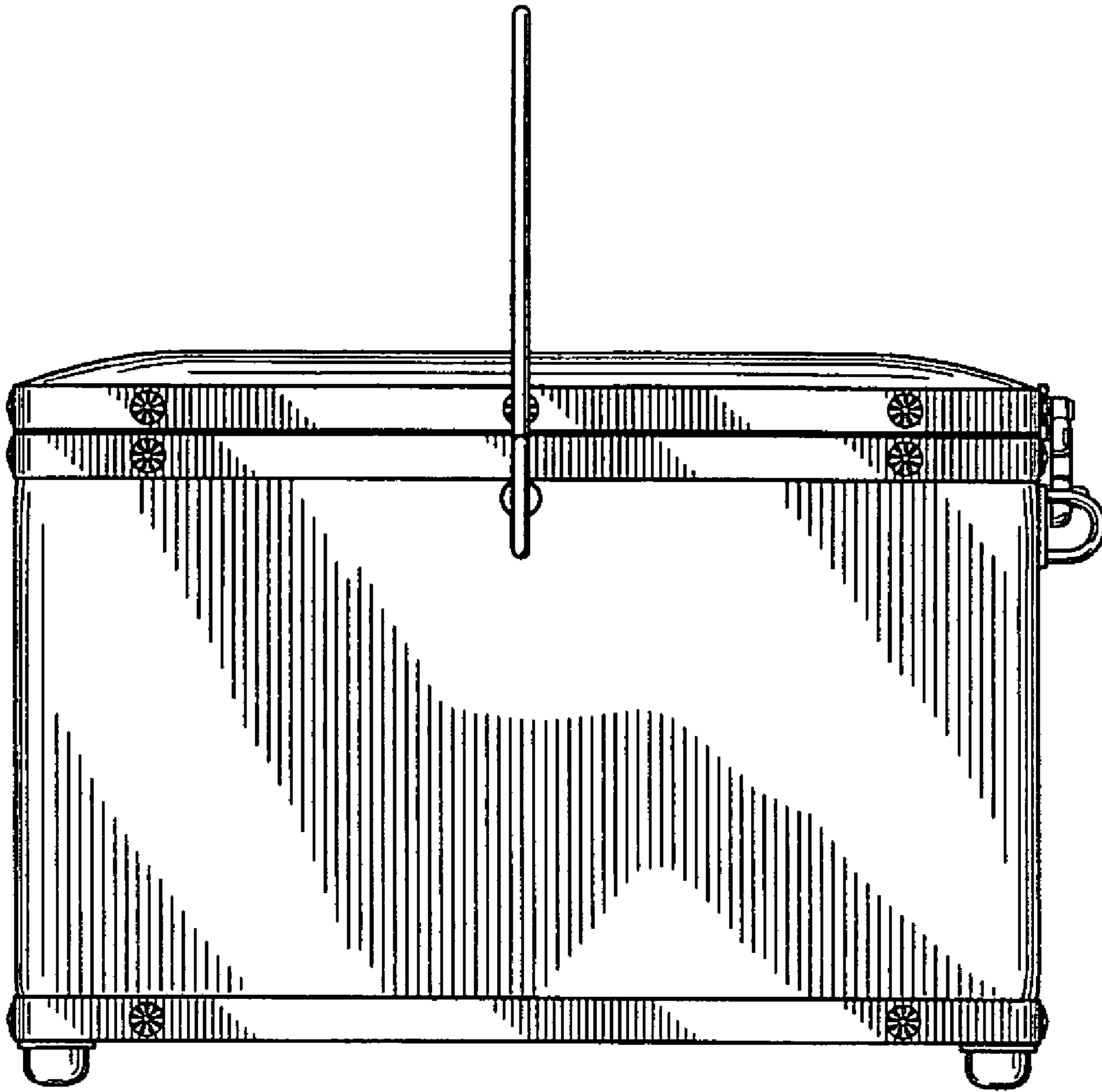


Fig. 7