

US00D547048S

(12) **United States Design Patent**  
**Conway et al.**

(10) **Patent No.:** **US D547,048 S**  
(45) **Date of Patent:** **\*\* Jul. 24, 2007**

(54) **CANE HOLDER**

(75) Inventors: **Scott Conway**, Yorba Linda, CA (US);  
**Earl Robinson**, Lake Forest, CA (US)

(73) Assignee: **Arcoa Industries, Inc.**, San Marcos,  
CA (US)

(\*\*) Term: **14 Years**

(21) Appl. No.: **29/242,368**

(22) Filed: **Nov. 9, 2005**

(51) **LOC (8) Cl.** ..... **03-03**

(52) **U.S. Cl.** ..... **D3/10**

(58) **Field of Classification Search** ..... D3/5-17;  
135/65-68, 72, 73, 76, 77, 911; D12/130,  
D12/133, 105; 248/113, 316.1; 211/62  
See application file for complete search history.

(56) **References Cited**

**U.S. PATENT DOCUMENTS**

1,486,762	A *	3/1924	Jones	.....	248/113
4,300,742	A *	11/1981	Hunn	.....	248/689
4,605,190	A *	8/1986	Kamp	.....	248/316.7
D418,286	S *	1/2000	Skeppstedt	.....	D3/10
6,412,505	B1 *	7/2002	Kaiser	.....	135/16
D474,012	S *	5/2003	Beltran et al.	.....	D3/10
6,565,053	B1 *	5/2003	Larky	.....	248/229.1
6,932,312	B1 *	8/2005	Chen	.....	248/316.1
6,997,362	B1 *	2/2006	Pidcock	.....	135/66
2005/0098695	A1 *	5/2005	Hollenbeck	.....	248/229.26

**OTHER PUBLICATIONS**

DELEX TMF, System Toolflex, Article, 1 page, Weerselo (The Netherlands).

\* cited by examiner

*Primary Examiner*—Louis S. Zarfes  
*Assistant Examiner*—Anhdao Doan  
(74) *Attorney, Agent, or Firm*—The Maxham Firm

(57) **CLAIM**

The ornamental design for a cane holder, as shown and described.

**DESCRIPTION**

FIG. 1 is a front perspective view of the cane holder, without a cane, showing our new design, where the broken lines show a pegboard mounting device.

FIG. 2 is a side elevational view thereof, without a cane, the opposite side being a mirror image thereof, the broken lines showing a clamp mounting device.

FIG. 3 is a side elevational view thereof with a cane shown in broken lines, the opposite side being a mirror image thereof, the broken lines showing the clamp mounting device shown in FIG. 2.

FIG. 4 is a top plan view thereof, without a cane, the opposite side being a mirror image thereof, the broken lines showing an adhesive mounting device.

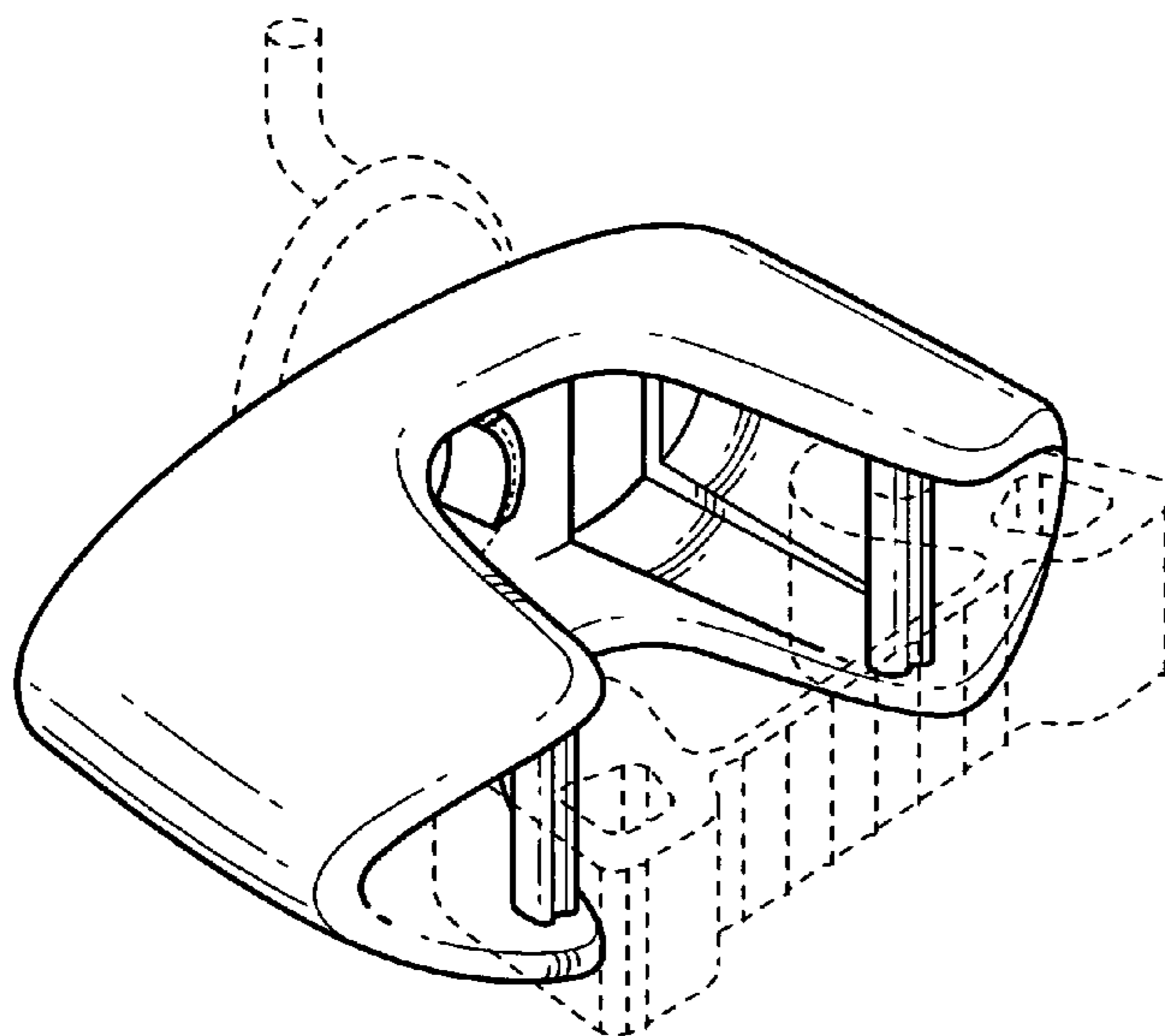
FIG. 5 is a top plan view thereof with a cane shown in broken lines, the opposite side being a mirror image thereof, the broken lines showing the adhesive mounting device shown in FIG. 4.

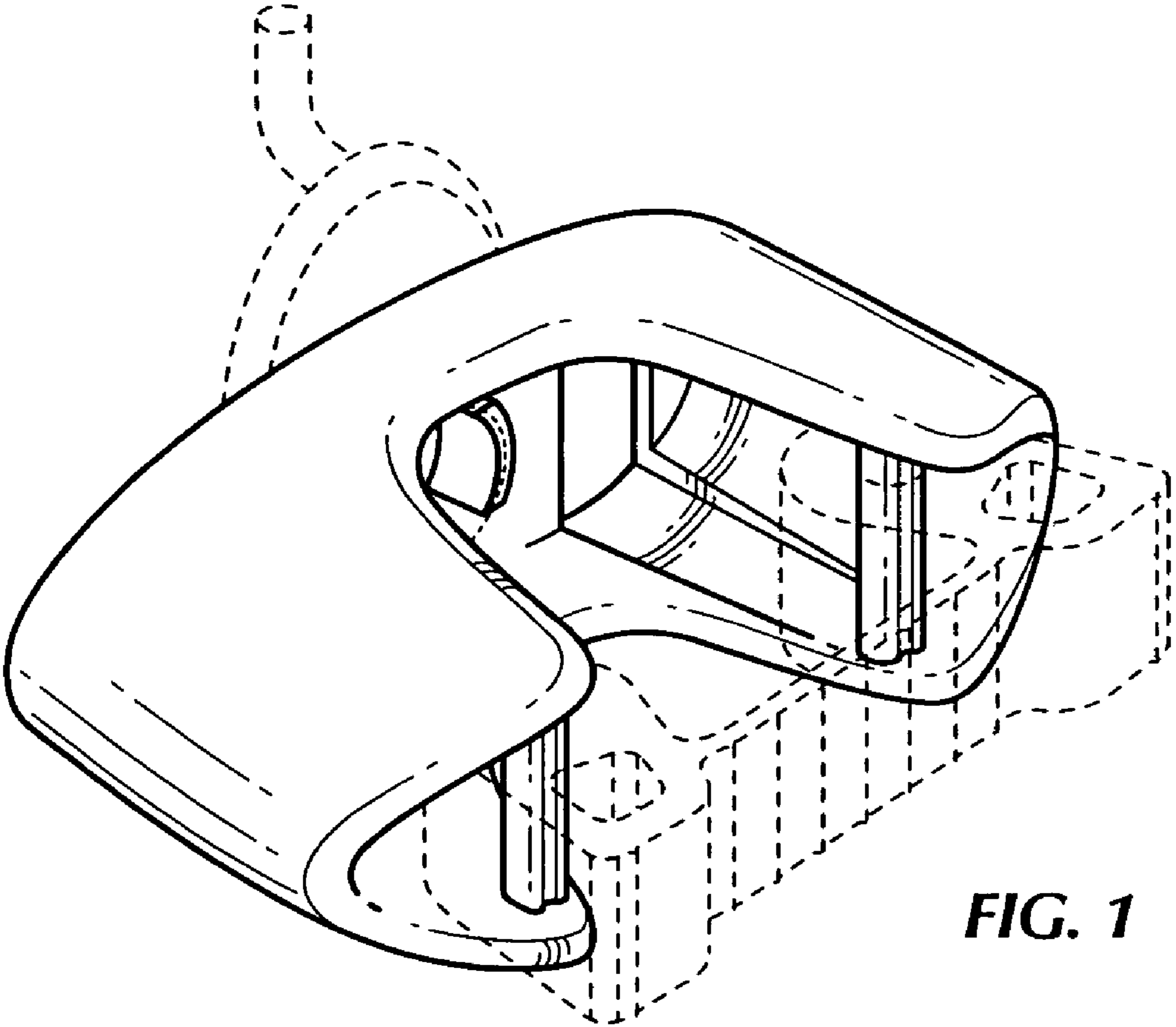
FIG. 6 is a rear elevational view thereof, the broken lines showing the adhesive mounting device shown in FIG. 4; and,

FIG. 7 is a front elevational view thereof, the broken lines showing a channel-engaging mounting device.

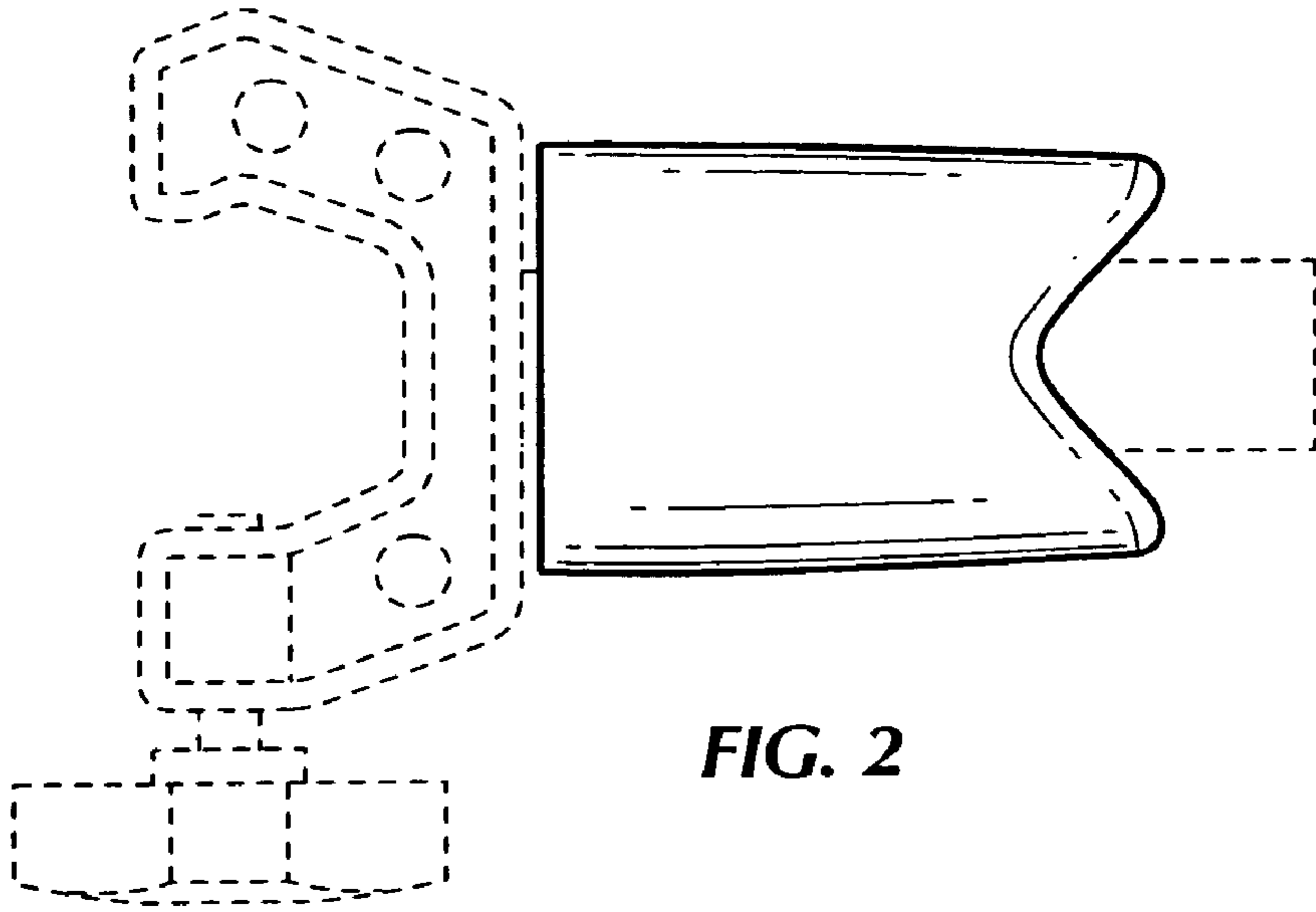
The broken line showing of the environment is for illustrative purposes only and forms no part of the claimed design.

**1 Claim, 4 Drawing Sheets**

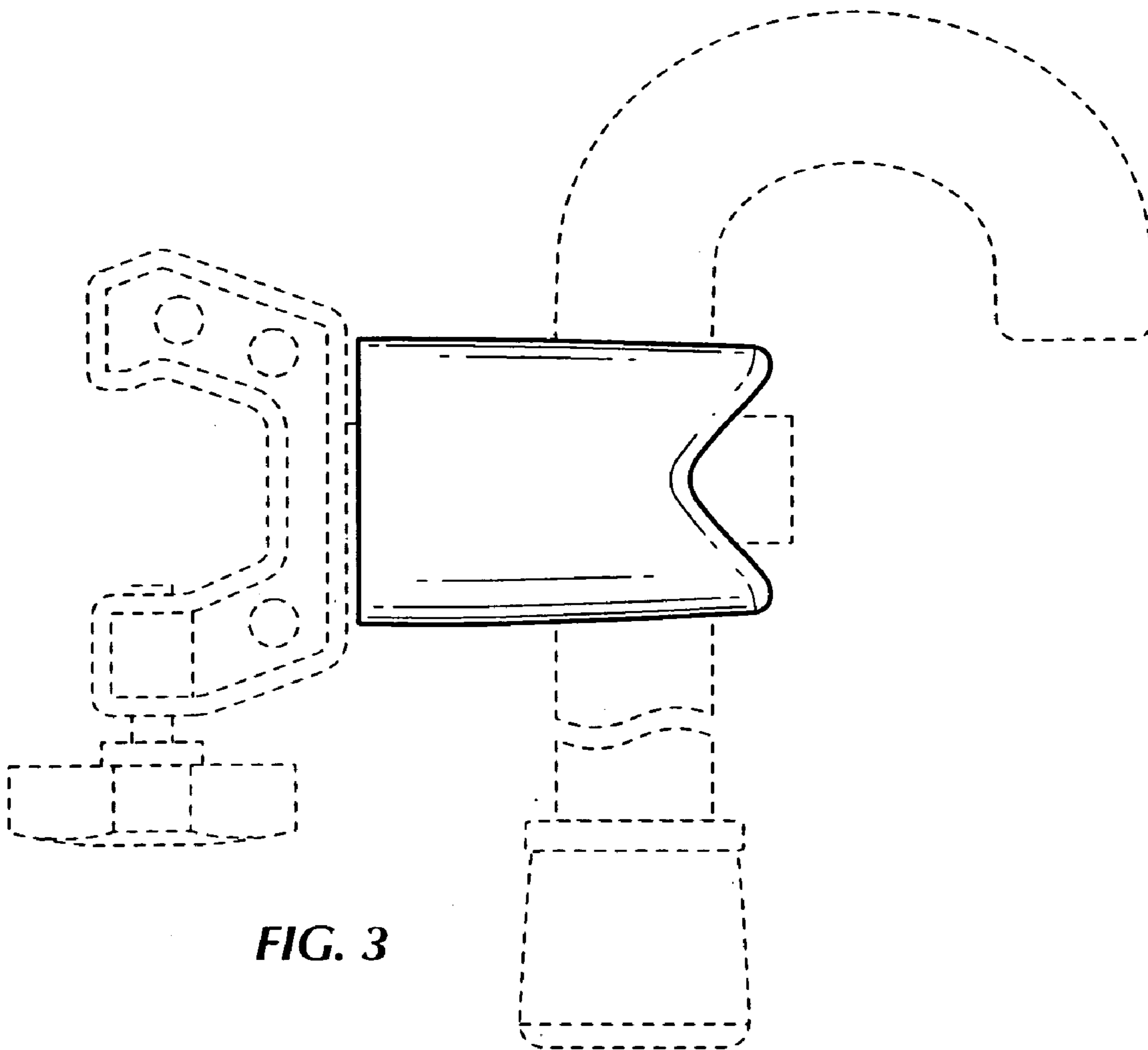




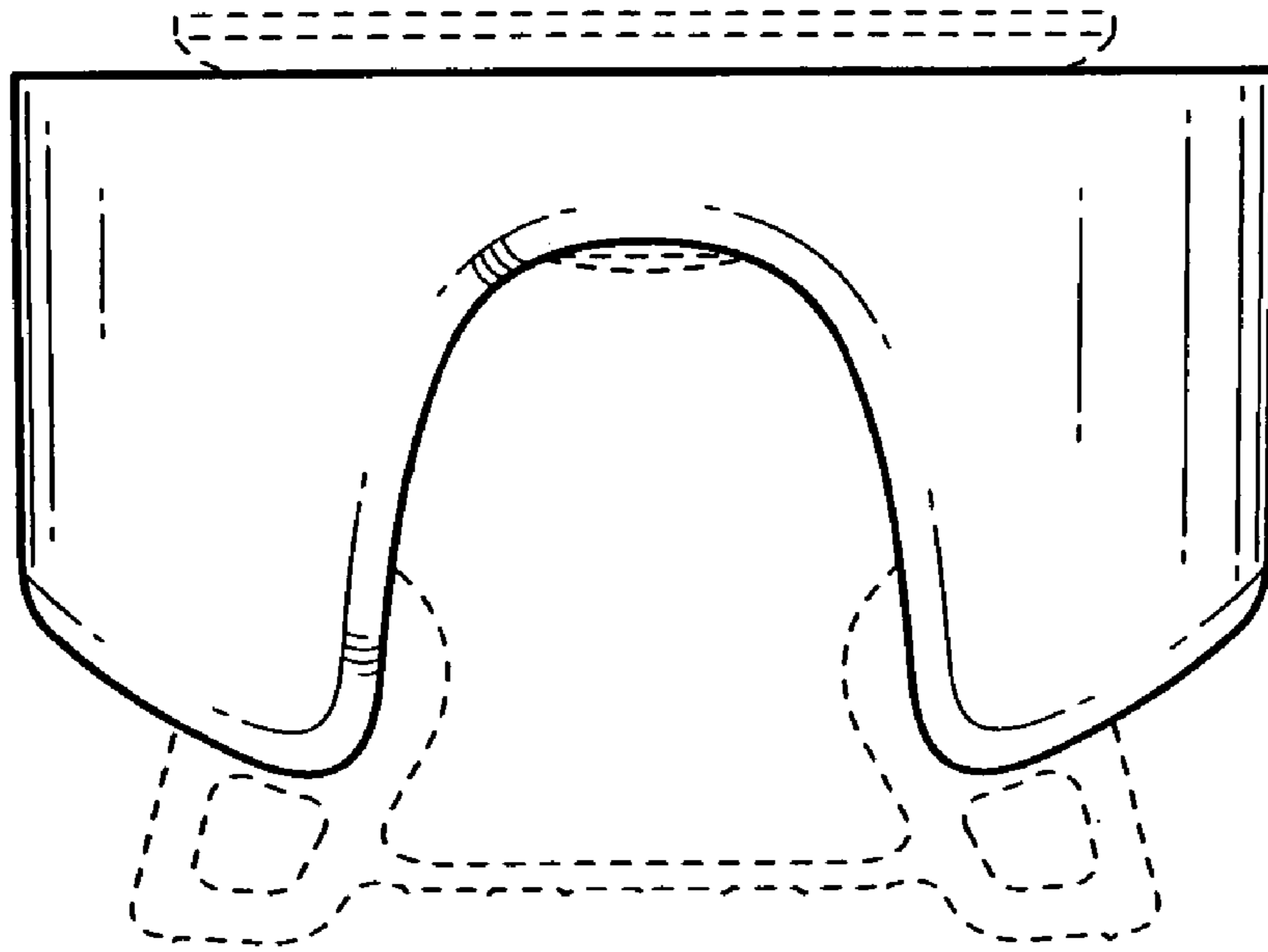
**FIG. 1**



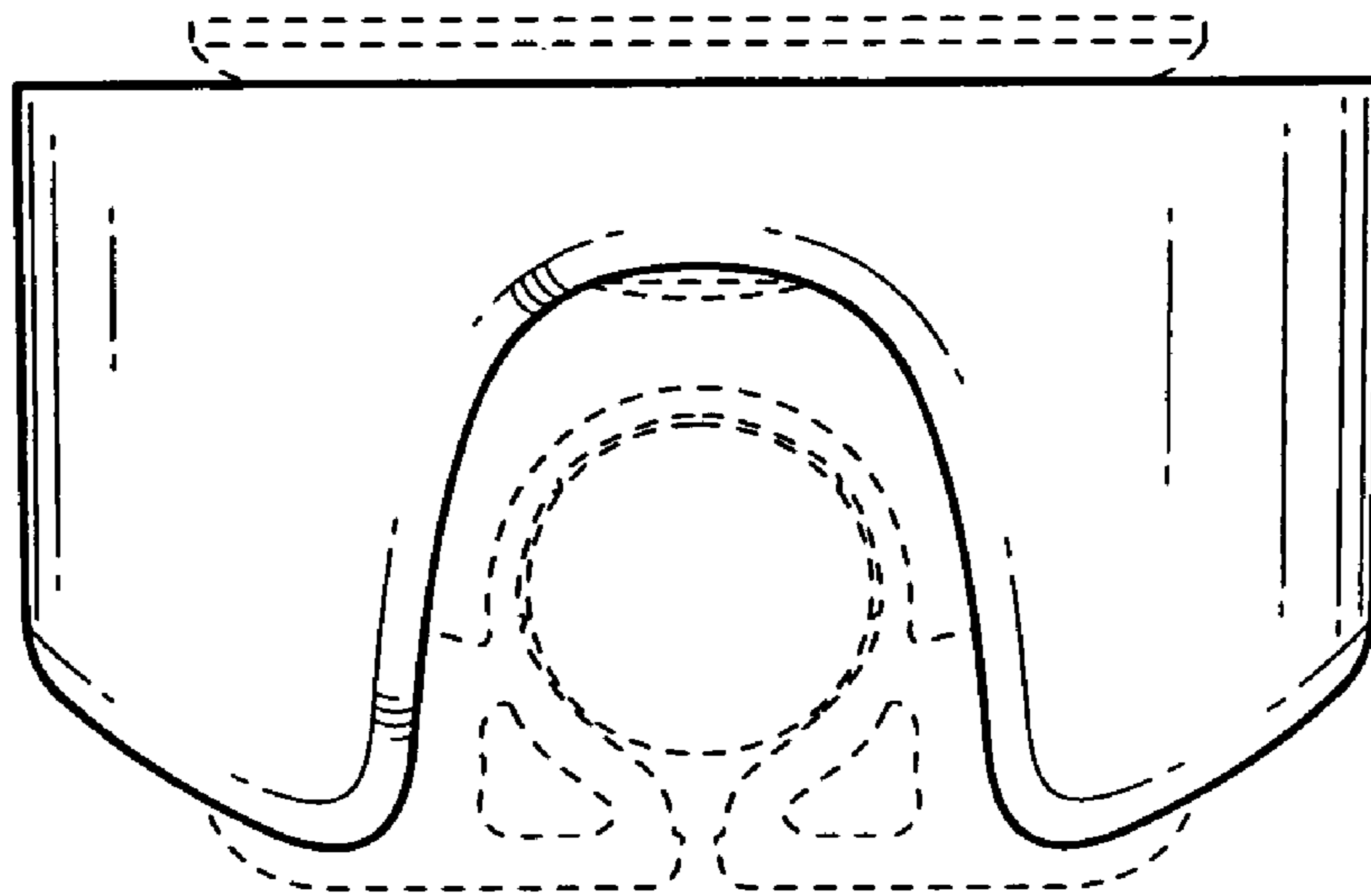
**FIG. 2**



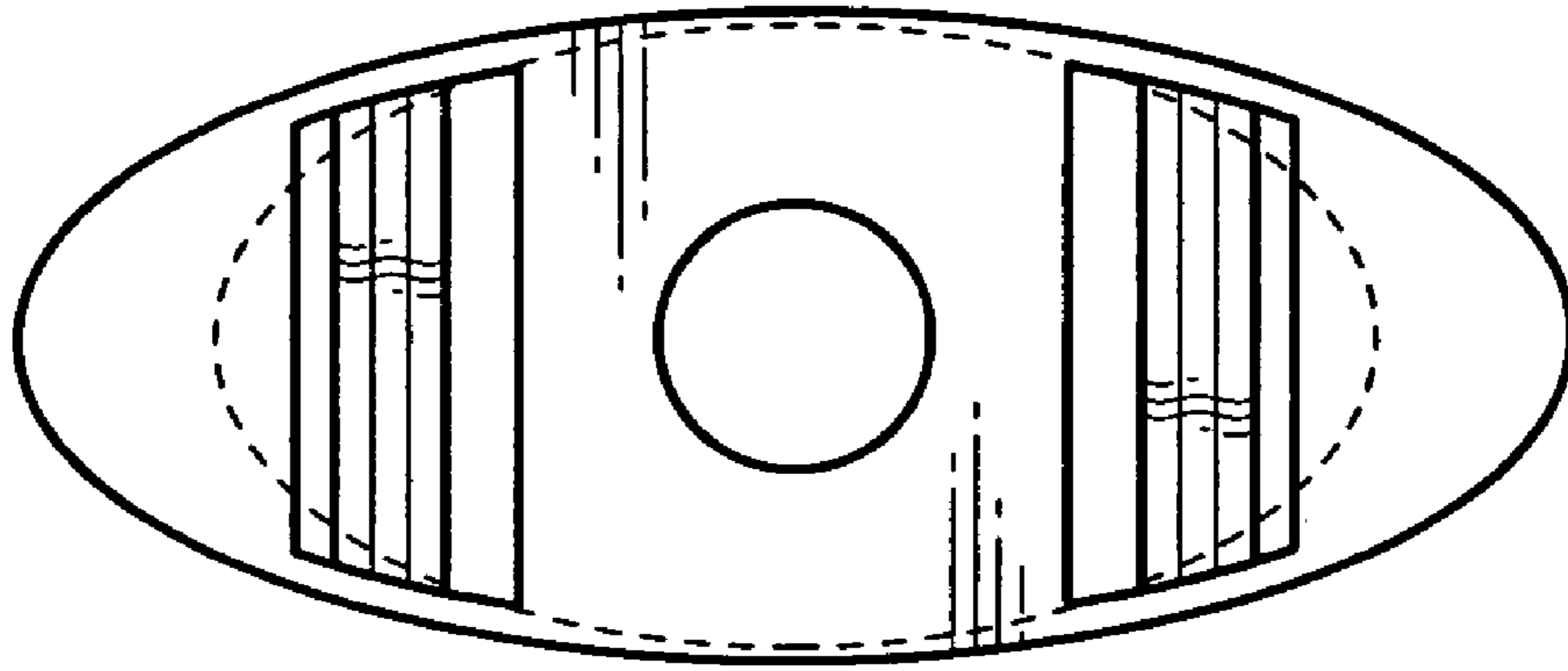
**FIG. 3**



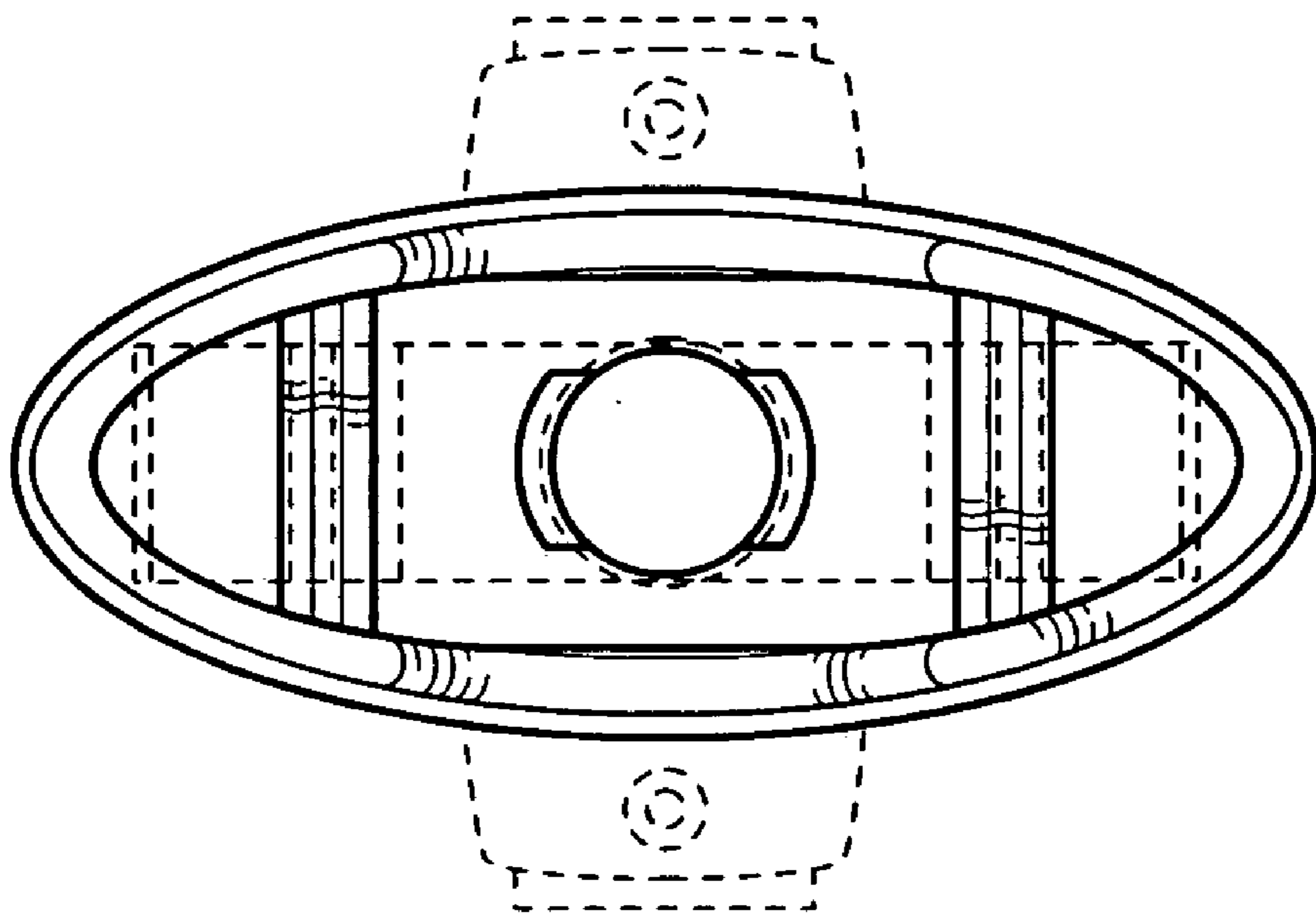
**FIG. 4**



**FIG. 5**



**FIG. 6**



**FIG. 7**