



US00D547021S

(12) **United States Design Patent**  
**Stein**

(10) **Patent No.:** **US D547,021 S**

(45) **Date of Patent:** **\*\* Jul. 17, 2007**

(54) **SWIVELING HOSE CART**

*Primary Examiner*—Cynthia E. Ramirez

(74) *Attorney, Agent, or Firm*—McHale & Slavin, P.A.

(75) **Inventor:** **Robert J. Stein**, Aurora, IL (US)

(73) **Assignee:** **Suncast Corporation**, Batavia, IL (US)

(57) **CLAIM**

(\*\*) **Term:** **14 Years**

The ornamental design for a swiveling hose cart, as shown and described.

(21) **Appl. No.:** **29/263,471**

(22) **Filed:** **Jul. 24, 2006**

**DESCRIPTION**

(51) **LOC (8) Cl.** ..... **12-02**

(52) **U.S. Cl.** ..... **D34/17**

(58) **Field of Classification Search** ..... D34/12-27;  
137/355.2, 355.12, 342, 355.26, 355.27,  
137/355.22; 280/47.34; D8/359; 242/397,  
242/398, 395, 395.1, 403, 391  
See application file for complete search history.

FIG. 1 is a top perspective view of the swiveling hose cart of the instant invention;

FIG. 2 is a bottom perspective view of the instant invention;

FIG. 3 is a right side view of the instant in invention, the left side being a mirror image thereto;

FIG. 4 is a front view of the instant invention;

FIG. 5 is a rear view of the instant invention;

FIG. 6 is a top view of the instant invention; and,

FIG. 7 is a bottom view of the instant invention.

The broken line showing of the wheels is illustration purposes only and forms no part of the claimed design.

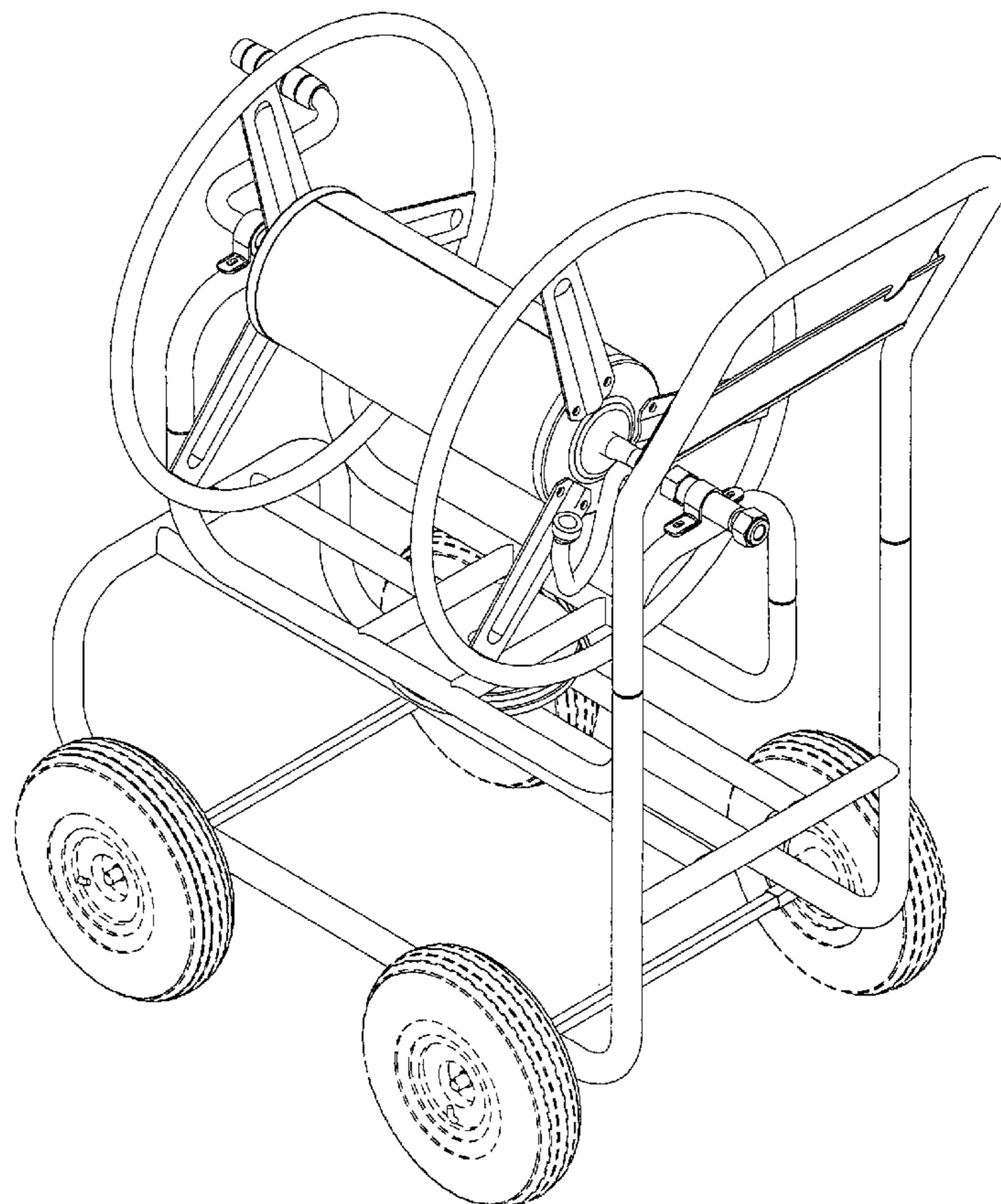
(56) **References Cited**

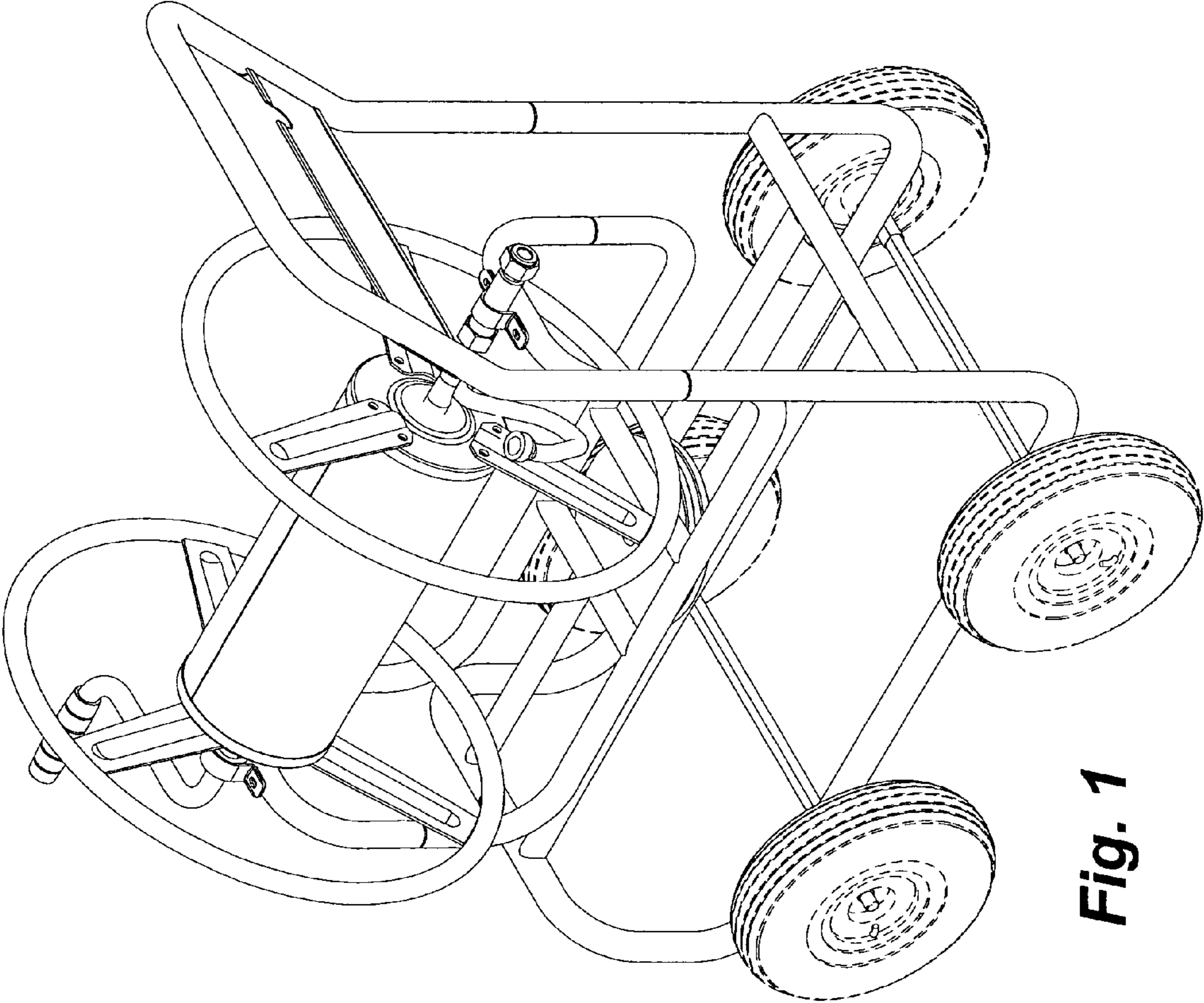
**U.S. PATENT DOCUMENTS**

|           |     |         |                |       |           |
|-----------|-----|---------|----------------|-------|-----------|
| 5,462,298 | A * | 10/1995 | Bodine         | ..... | 280/47.34 |
| 5,474,312 | A * | 12/1995 | Starita et al. | ..... | 280/47.19 |
| D449,415  | S * | 10/2001 | Durieux        | ..... | D34/17    |
| D530,875  | S * | 10/2006 | Rosine et al.  | ..... | D34/17    |

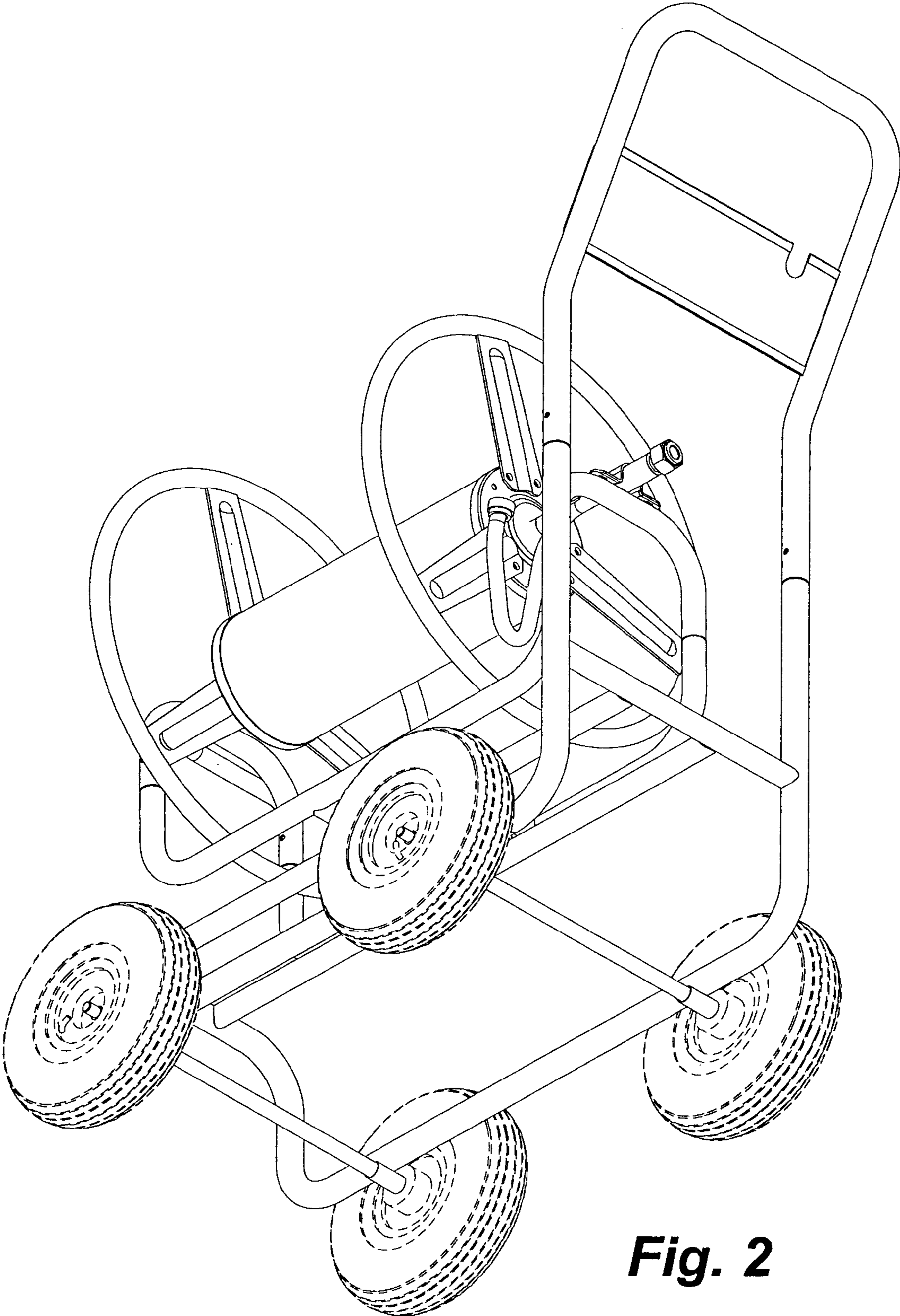
\* cited by examiner

**1 Claim, 7 Drawing Sheets**



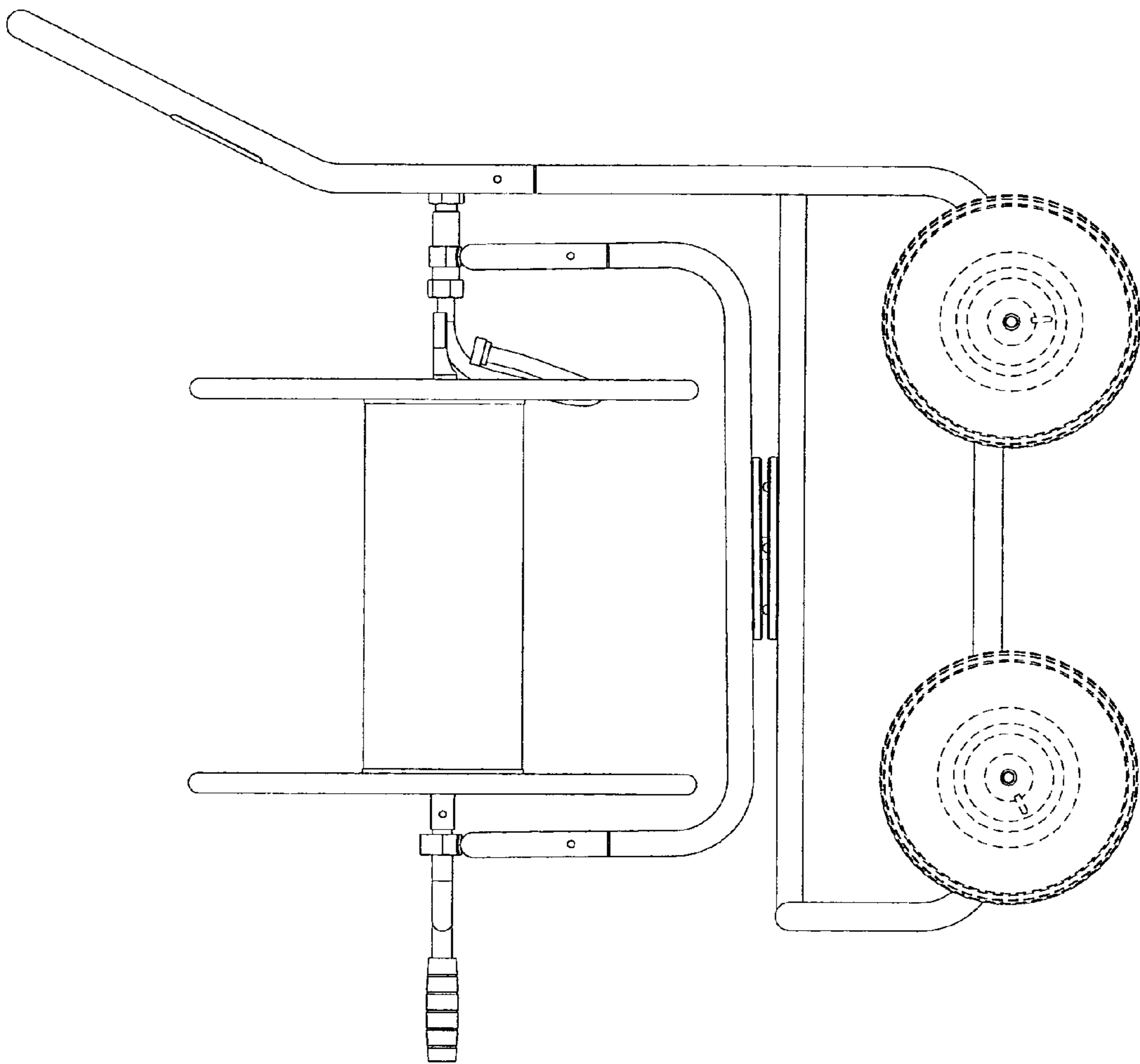


**Fig. 1**

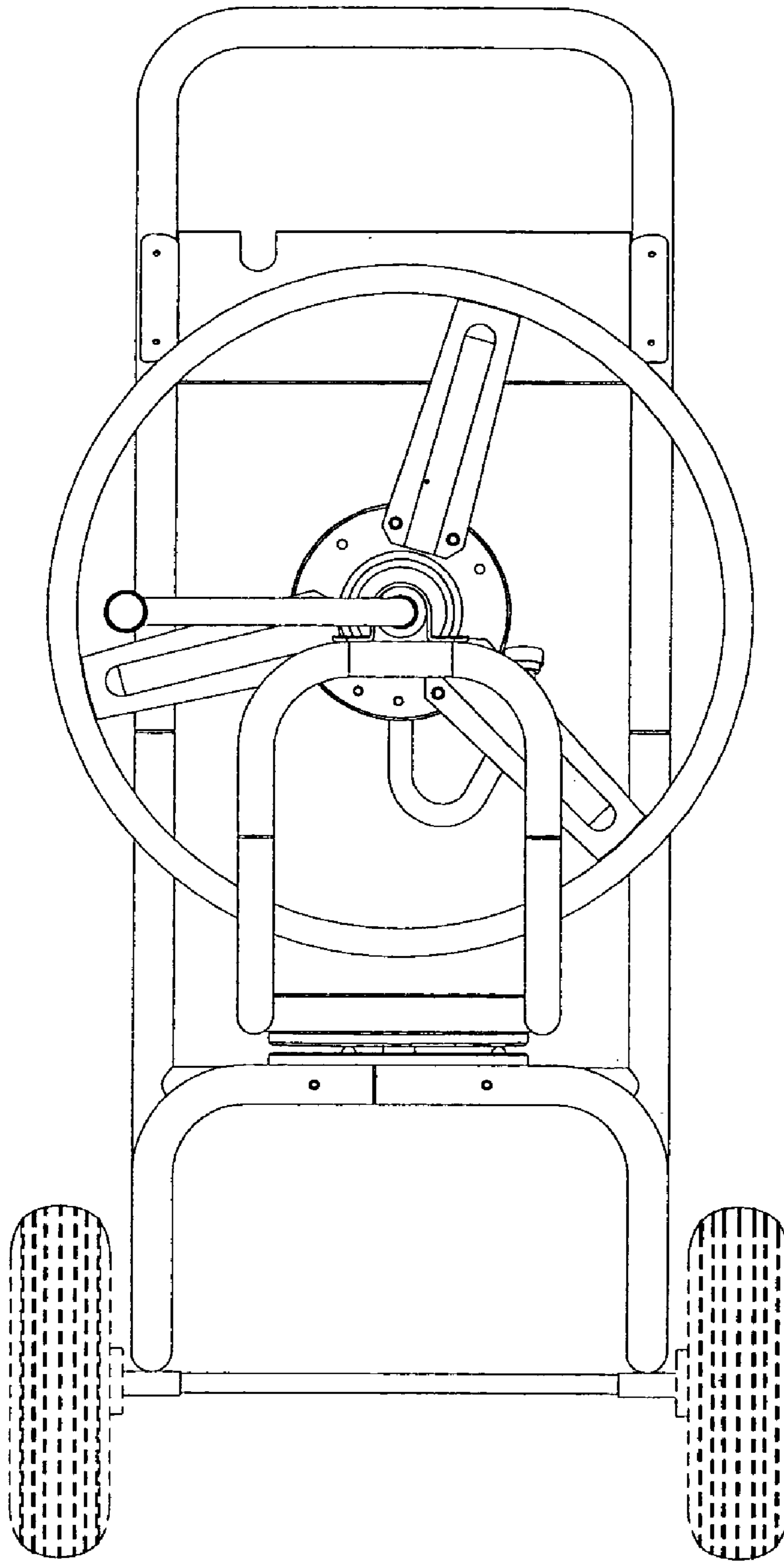


**Fig. 2**

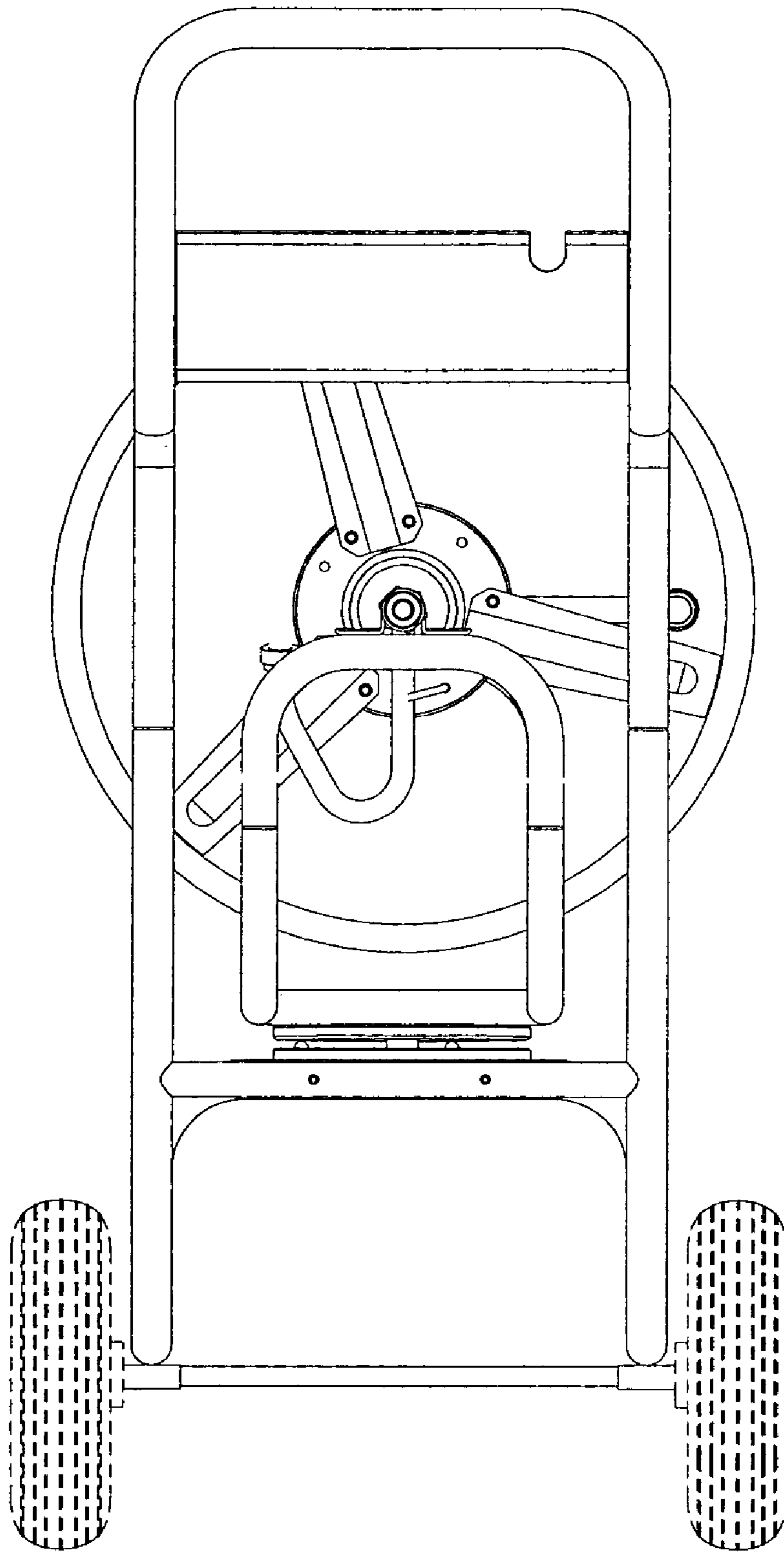




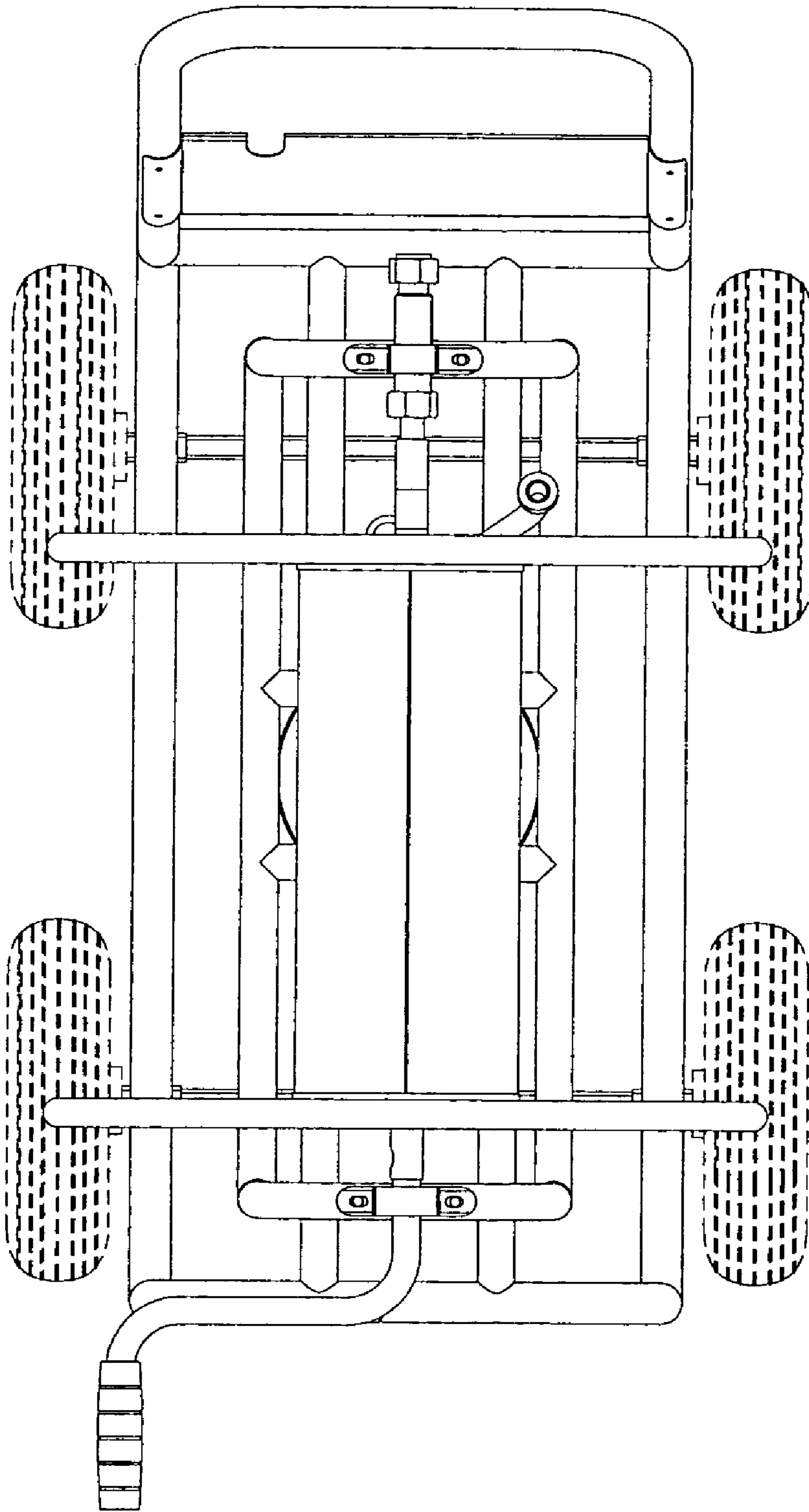
**Fig. 3**



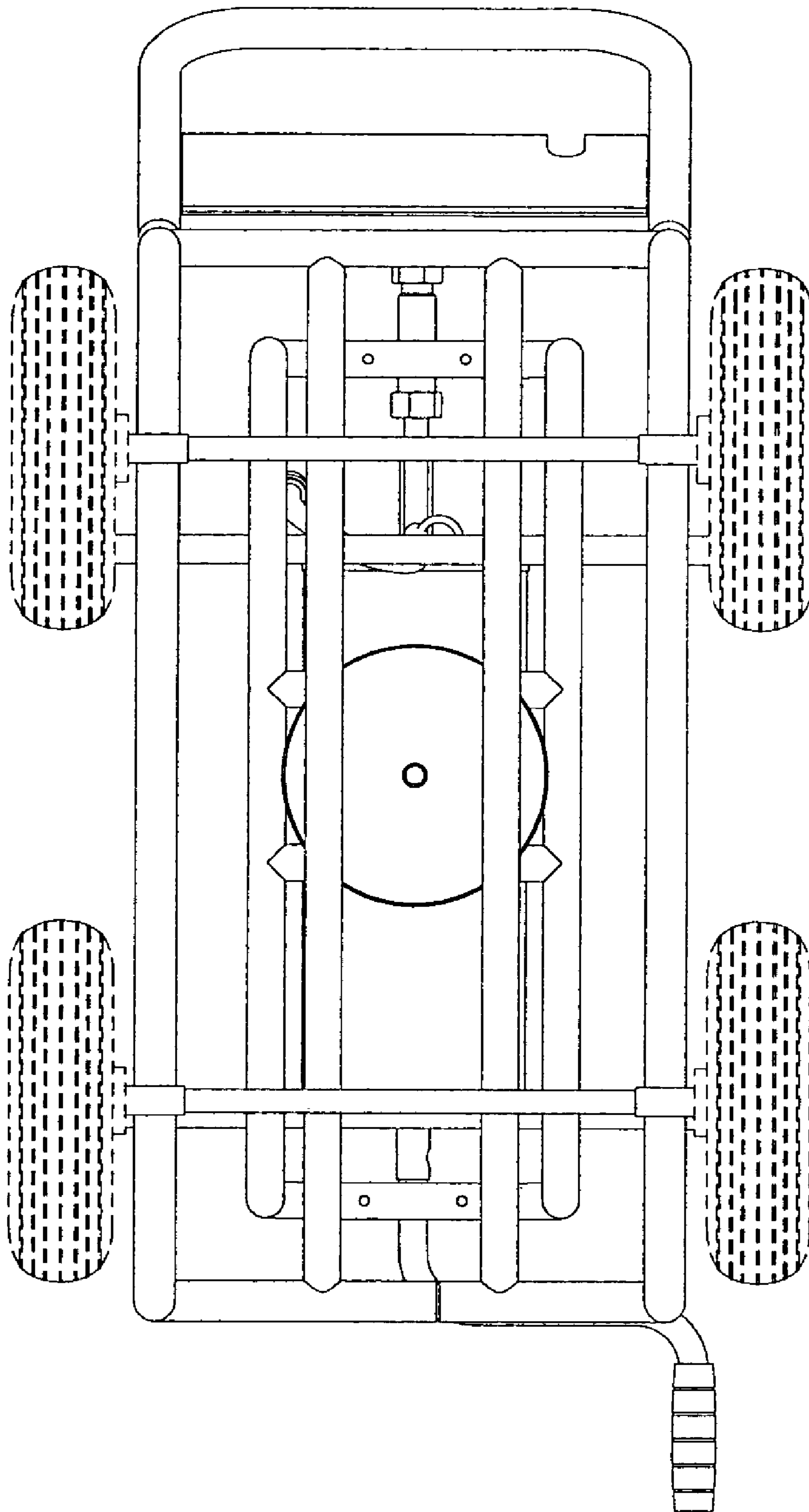
**Fig. 4**



**Fig. 5**



**Fig. 6**



**Fig. 7**