



US00D547016S

(12) **United States Design Patent** (10) **Patent No.:** **US D547,016 S**
Santiago et al. (45) **Date of Patent:** **** Jul. 17, 2007**

- (54) **UPPER PORTION OF SPOT CLEANER** 4,859,102 A * 8/1989 Chamieh 401/17
- (75) Inventors: **Jose Carlito Santiago**, Grand Rapids, MI (US); **Douglas J. Medema**, Belding, MI (US); **Justin Benacquisto**, Grand Rapids, MI (US) D319,120 S 8/1991 Kuhn
- (73) Assignee: **Bissell Homecare, Inc.**, Grand Rapids, MI (US) D326,778 S 6/1992 Vetter
- (**) Term: **14 Years** D406,680 S * 3/1999 Hakker D32/35
- (21) Appl. No.: **29/247,654** D439,053 S 3/2001 Hay
- (22) Filed: **Jun. 30, 2006** D473,358 S * 4/2003 Miller D32/35
- (63) Continuation of application No. 29/246,172, filed on Mar. 7, 2006. D477,917 S 8/2003 Giacolo et al.
- (51) **LOC (8) Cl.** **08-99** D479,405 S 9/2003 Bressler et al.
- (52) **U.S. Cl.** **D32/35; D4/136** D503,539 S * 4/2005 Tani D4/114
- (58) **Field of Classification Search** D32/35, D32/45; D4/146, 114, 121, 127, 130, 132-133, D4/136, 138; 15/105.52, 107, 114, 118, 15/237, 142, 104.92, 21.1, 320-321, 323; 401/145, 6; D9/715

FOREIGN PATENT DOCUMENTS
WO 2005009198 A1 2/2005

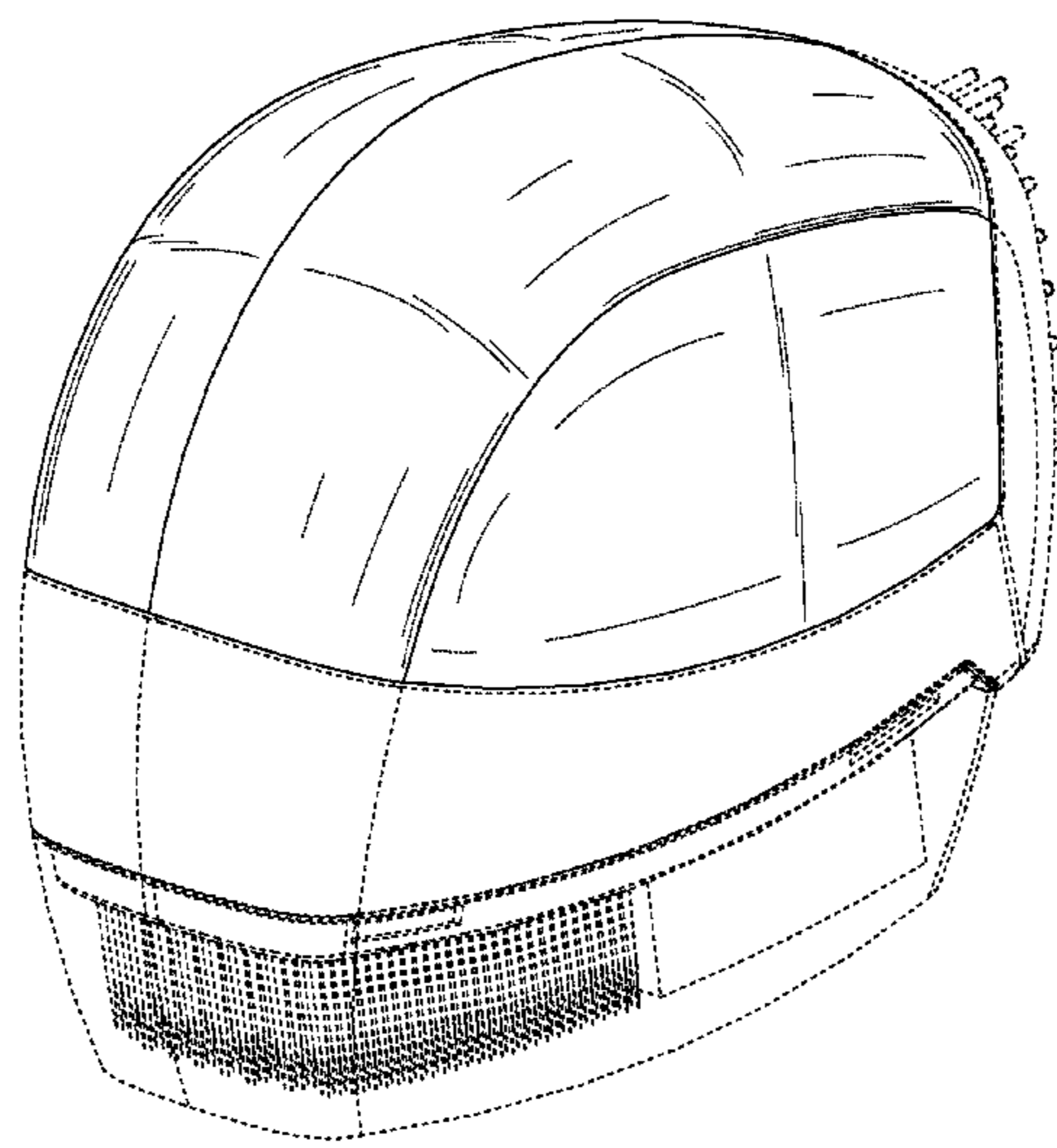
Related U.S. Application Data
* cited by examiner
Primary Examiner—Pamela J. Burgess
(74) *Attorney, Agent, or Firm*—McGarry Bair PC

(57) **CLAIM**
The ornamental design for an upper portion of a spot cleaner, as shown and described.

- (56) **References Cited**
- U.S. PATENT DOCUMENTS
- D226,045 S * 1/1973 Yran D24/211
- D226,142 S 1/1973 Brainerd et al.
- D226,249 S 1/1973 Brainerd et al.
- D230,433 S 2/1974 Brainerd et al.
- D231,036 S 3/1974 Brainerd et al.
- D231,037 S 3/1974 Brainerd et al.
- D231,038 S 3/1974 Brainerd et al.
- D231,039 S 3/1974 Brainerd et al.
- D231,040 S 3/1974 Brainerd et al.
- D231,041 S 3/1974 Brainerd et al.

DESCRIPTION
FIG. 1 is a front perspective view of an upper portion of a spot cleaner which embodies my design;
FIG. 2 is a rear perspective view thereof;
FIG. 3 is a front view thereof;
FIG. 4 is a rear view thereof;
FIG. 5 is a left side view thereof;
FIG. 6 is a right side view thereof; and,
FIG. 7 is a bottom view thereof.
The broken lines shown in the drawings are for illustrative purposes only and form no part of the claimed design.

1 Claim, 7 Drawing Sheets



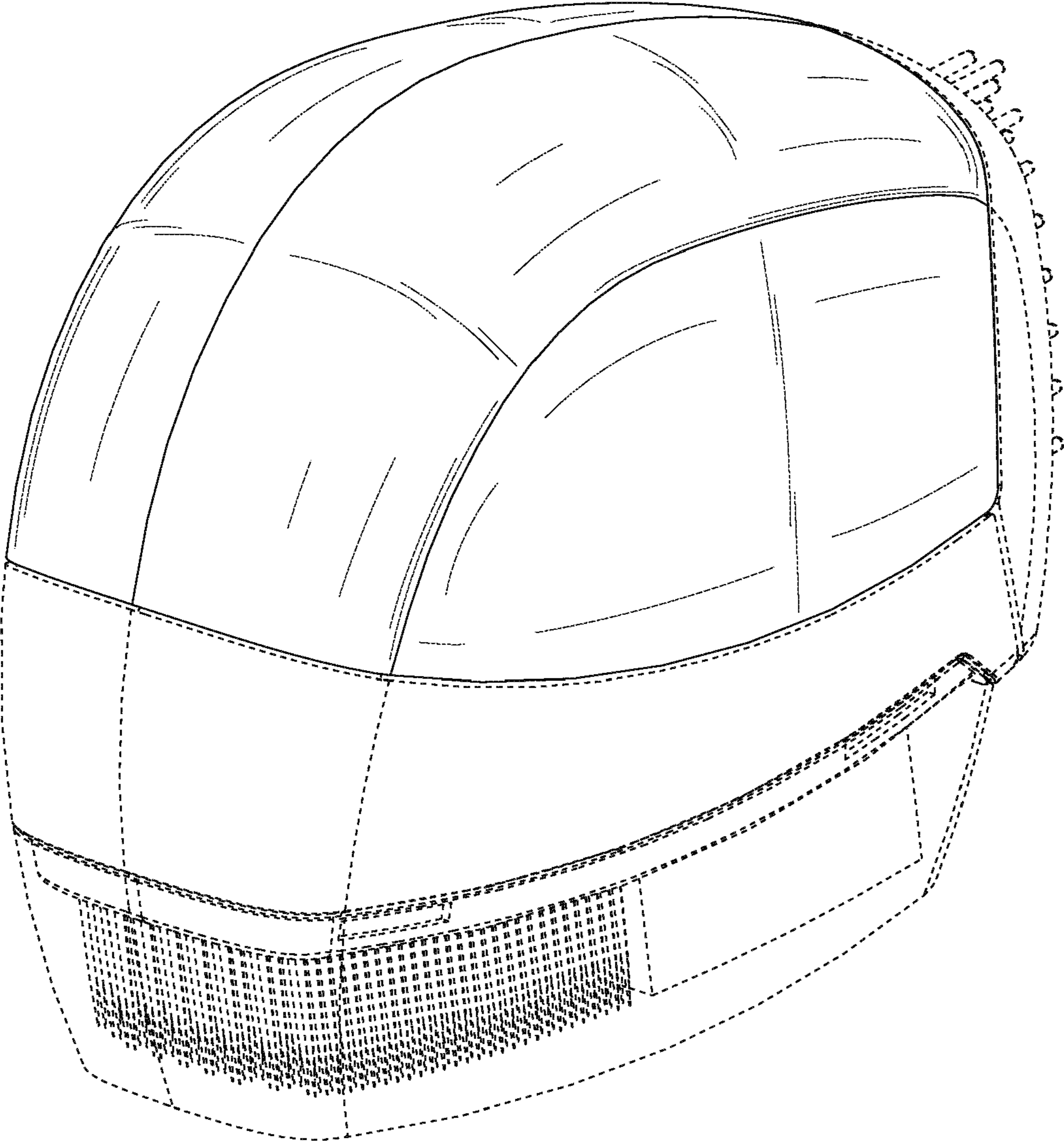


Fig. 1

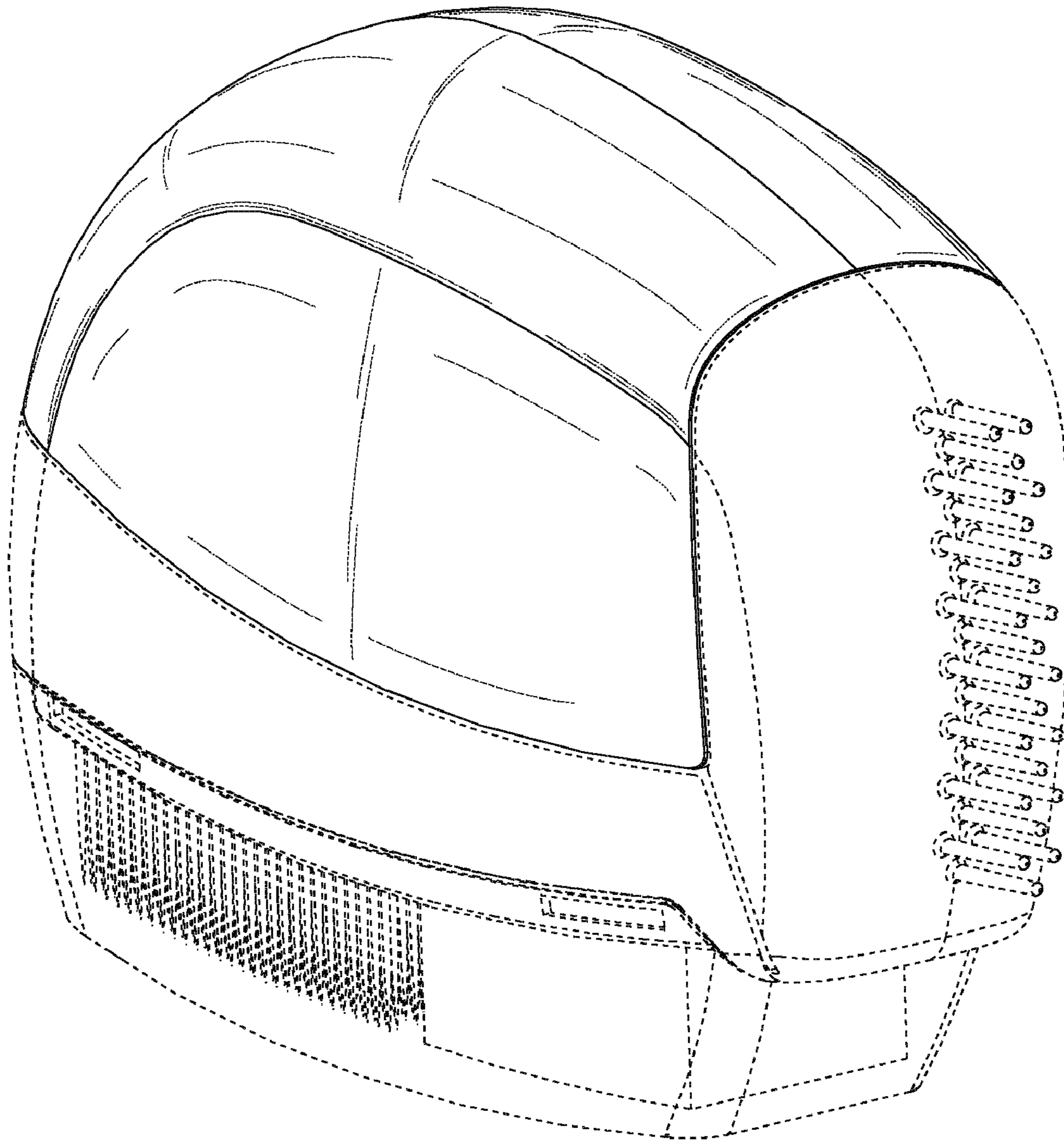


Fig. 2

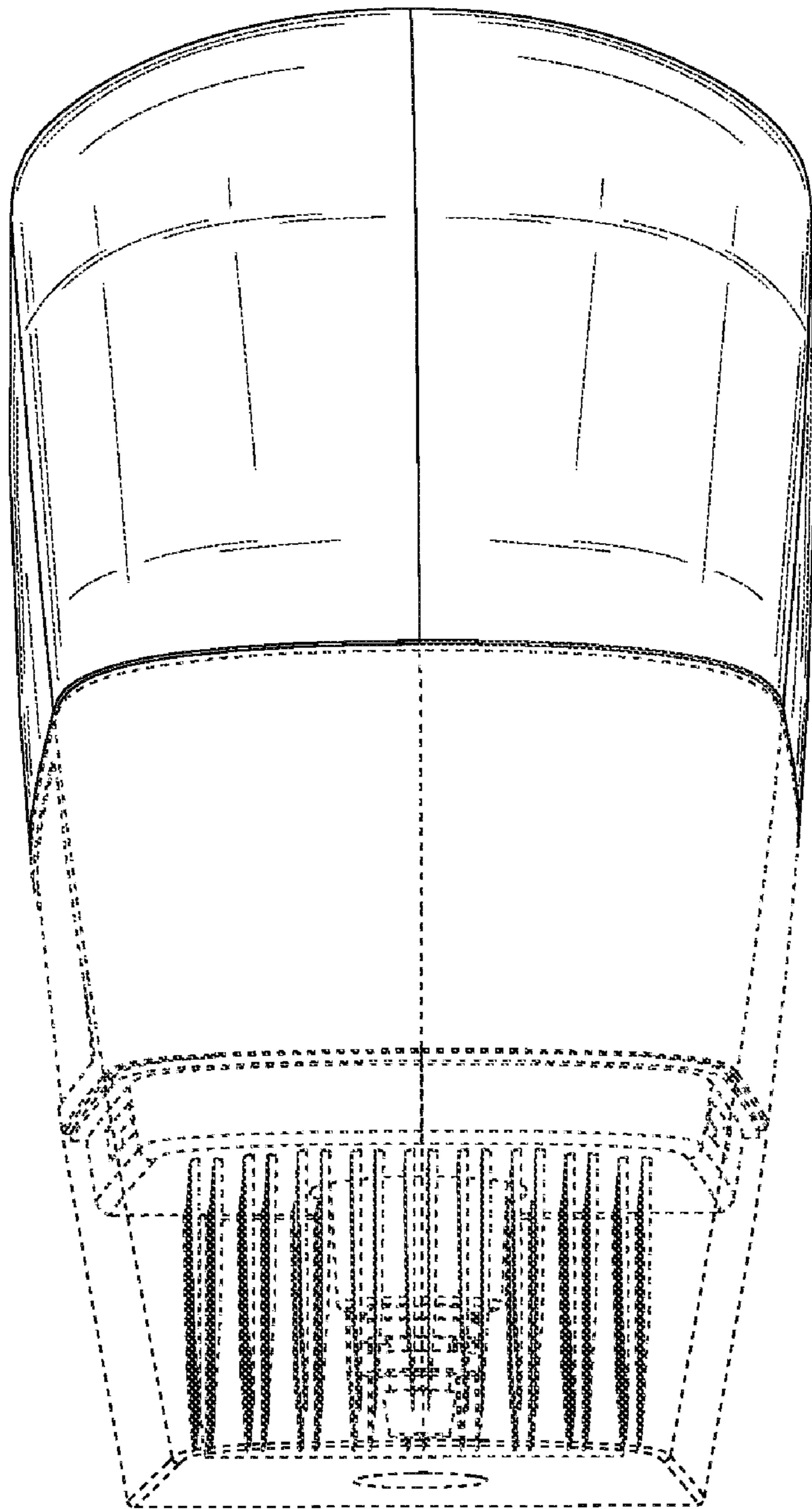


Fig. 3

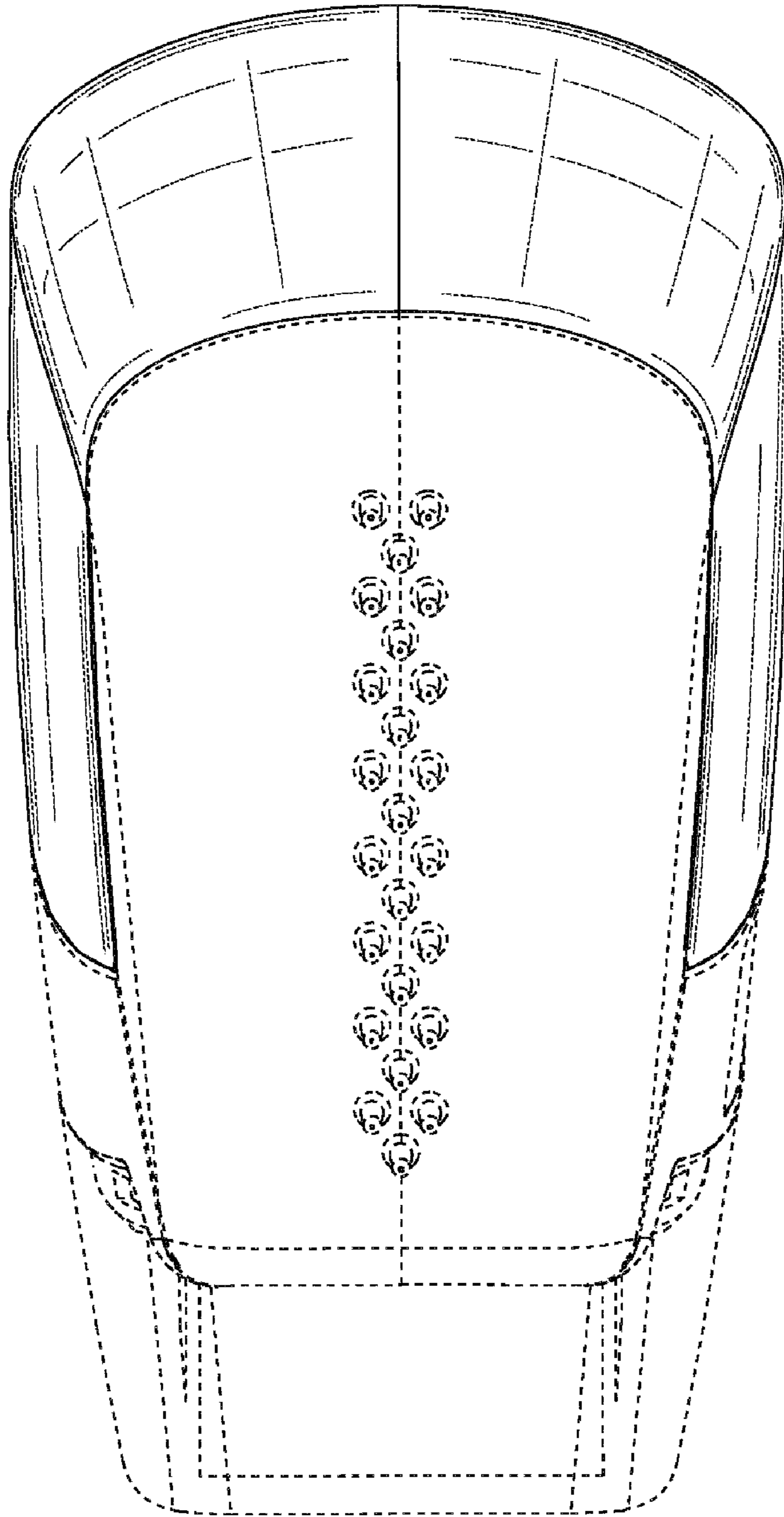


Fig. 4

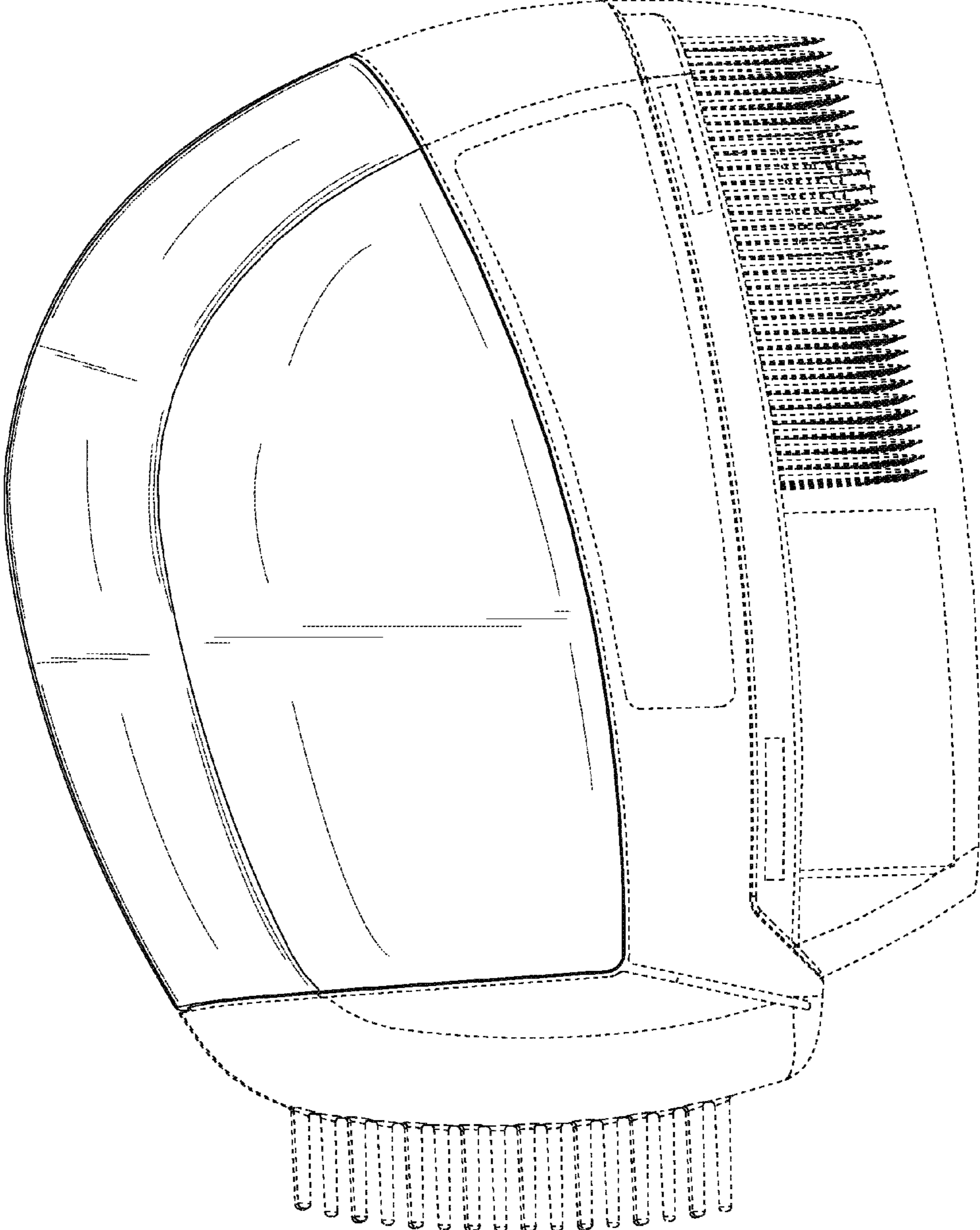


Fig. 5

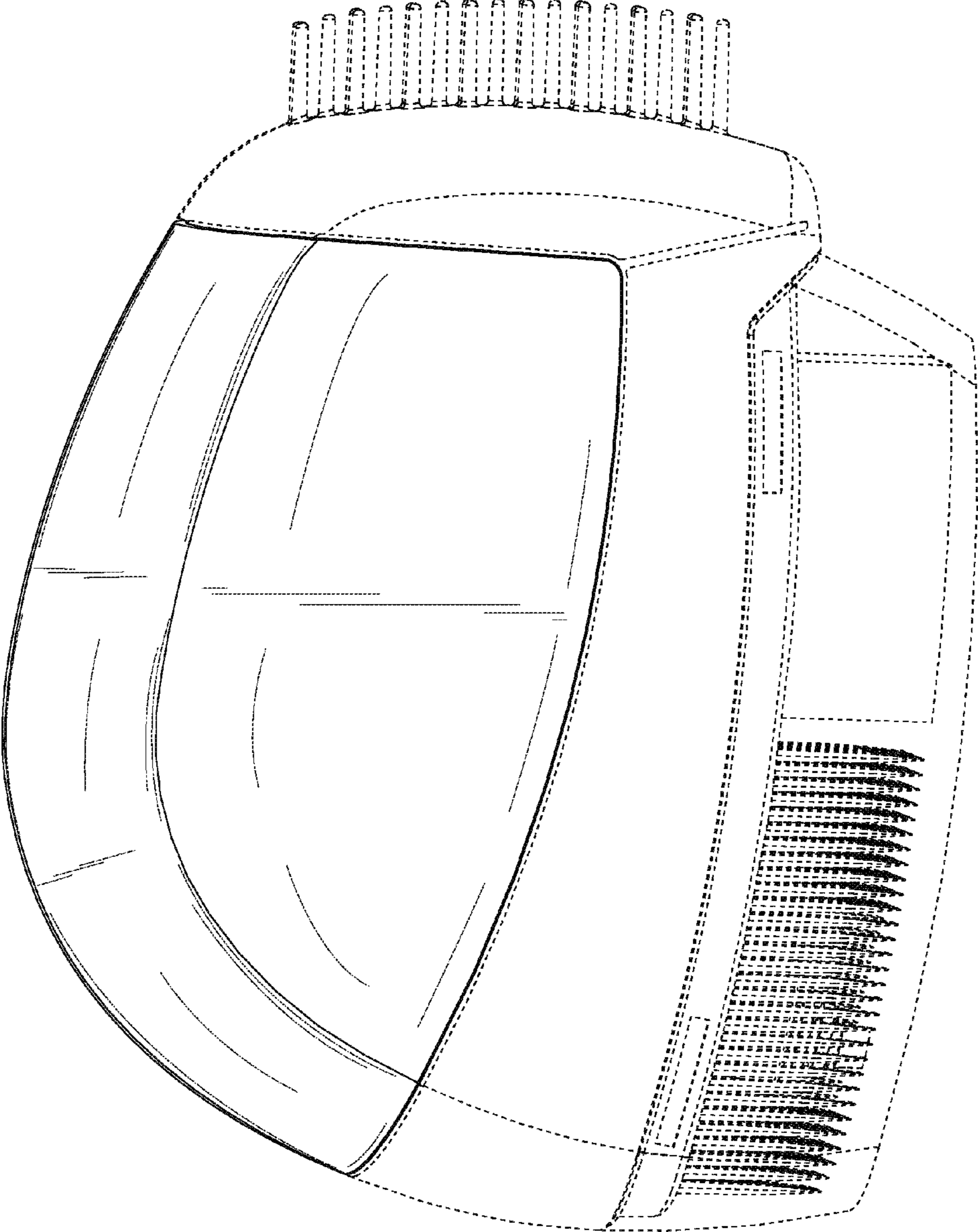


Fig. 6

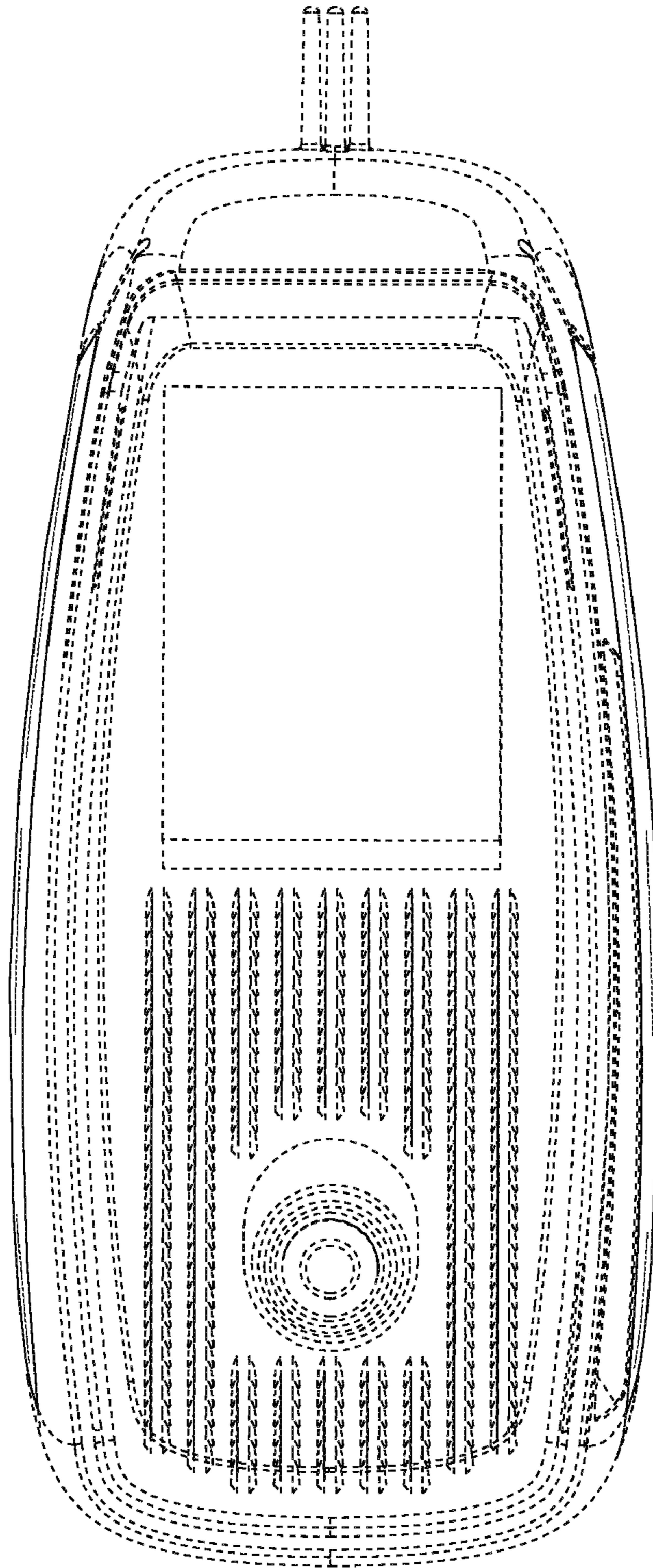


Fig. 7