



US00D547014S

(12) **United States Design Patent**  
**Chen**

(10) **Patent No.:** **US D547,014 S**

(45) **Date of Patent:** **\*\* Jul. 17, 2007**

(54) **GASOLINE DRIVEN CLEANING MACHINE**

(76) Inventor: **Jiming Chen**, 190 Industrial Road,  
Jinqing Town, Luqiao District, Taizhou  
City, 318058, Zhejiang Province (CN)

(\*\*) Term: **14 Years**

(21) Appl. No.: **29/240,079**

(22) Filed: **Oct. 11, 2005**

(51) **LOC (8) Cl.** ..... **15-05**

(52) **U.S. Cl.** ..... **D32/15**

(58) **Field of Classification Search** ..... D32/1,  
D32/4, 15, 17-18, 21, 23-24, 31, 34; 15/301,  
15/314-315, 319, 320-322, 340.1, 321, 323,  
15/327.1, 327.6, 327.7, 335, 344-345, 347,  
15/353, 355, 388, 410-412, 414, 415.1, 429,  
15/7; D23/225; 68/222; 134/18, 173, 198;  
700/245; 701/23; 239/332, 525, 146, 148,  
239/722; 417/234

See application file for complete search history.

(56) **References Cited**

**U.S. PATENT DOCUMENTS**

D272,380 S *	1/1984	Poon	.....	D23/225
D284,885 S *	7/1986	Nakamura	.....	D23/225
D334,972 S *	4/1993	Berfield et al.	.....	D23/225
D341,450 S *	11/1993	Tinius	.....	D32/15
D347,261 S *	5/1994	Berfield et al.	.....	D23/225
D352,146 S *	11/1994	Wulff	.....	D32/24
D355,283 S *	2/1995	Thomas et al.	.....	D32/24
5,667,141 A *	9/1997	Suttner	.....	239/332
5,784,753 A *	7/1998	Kaczmarz et al.	.....	15/319
D399,616 S *	10/1998	Bobrosky et al.	.....	D32/21
D422,763 S *	4/2000	Tsuda	.....	D32/21
D424,764 S *	5/2000	Collins et al.	.....	D32/21

D443,736 S *	6/2001	Warth	.....	D32/15
D452,594 S *	12/2001	Rosa	.....	D32/21
D453,244 S *	1/2002	Murphy et al.	.....	D32/31
6,484,348 B1 *	11/2002	Paterson et al.	.....	15/323
D473,355 S *	4/2003	Fernandez	.....	D32/18
D477,443 S *	7/2003	Kondo et al.	.....	D23/21
D528,256 S *	9/2006	Beth et al.	.....	D32/21

**OTHER PUBLICATIONS**

1100 PSI—1.5 GPM Pressure Washer—Power Washer [online]. Retrieved on Mar. 20, 2007. Retrieved from the Internet: <URL: [www.amazon.com/1100-PSI-Pressure-Washer-Power/dp/B000JV8YXk/ref=sr\\_1\\_60/105-0612533-9254034?ie=UTF8=hi&aid=11743465578sr=1-60](http://www.amazon.com/1100-PSI-Pressure-Washer-Power/dp/B000JV8YXk/ref=sr_1_60/105-0612533-9254034?ie=UTF8=hi&aid=11743465578sr=1-60)>.\*  
Karcher 1,600 PSI Electric Pressure Washer #K520M [online]. Retrieved on Mar. 20, 2007. Retrieved from the Internet: <URL: [www.amazon.com/Pressure-Washers-Power-Tools-Hardware/b?ie=UTF8&node=552856](http://www.amazon.com/Pressure-Washers-Power-Tools-Hardware/b?ie=UTF8&node=552856)>.\*

\* cited by examiner

*Primary Examiner*—Ruth McInroy

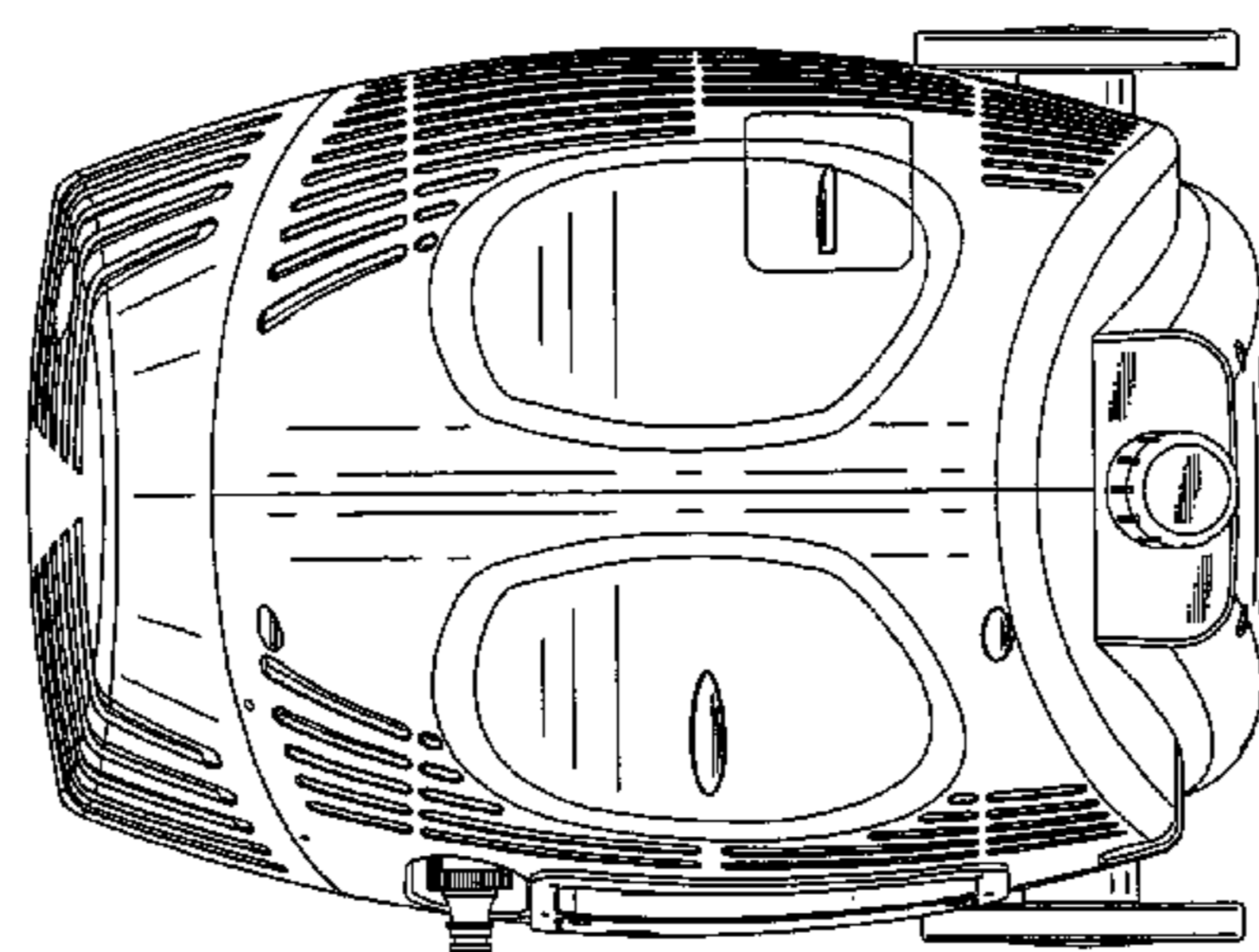
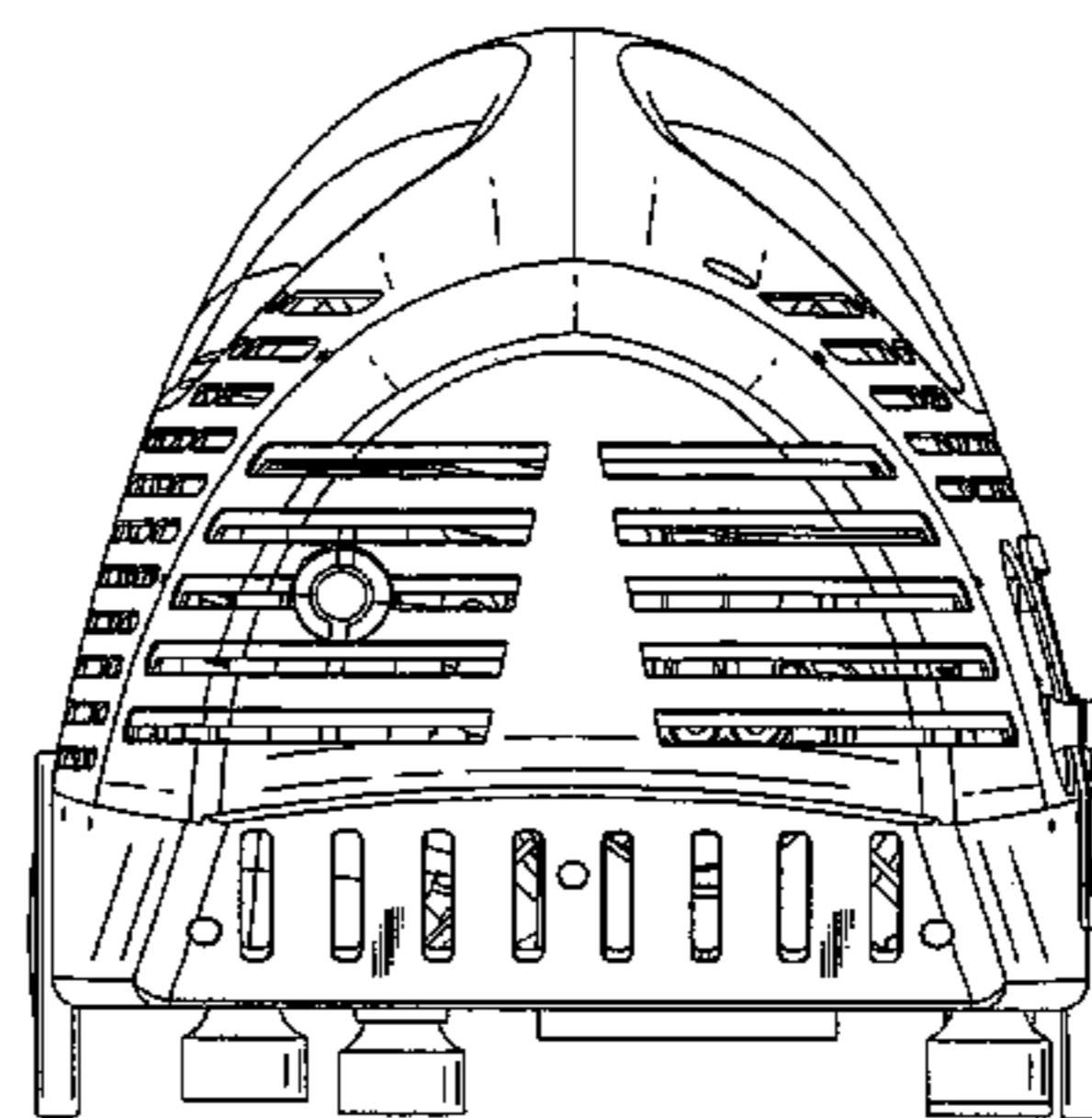
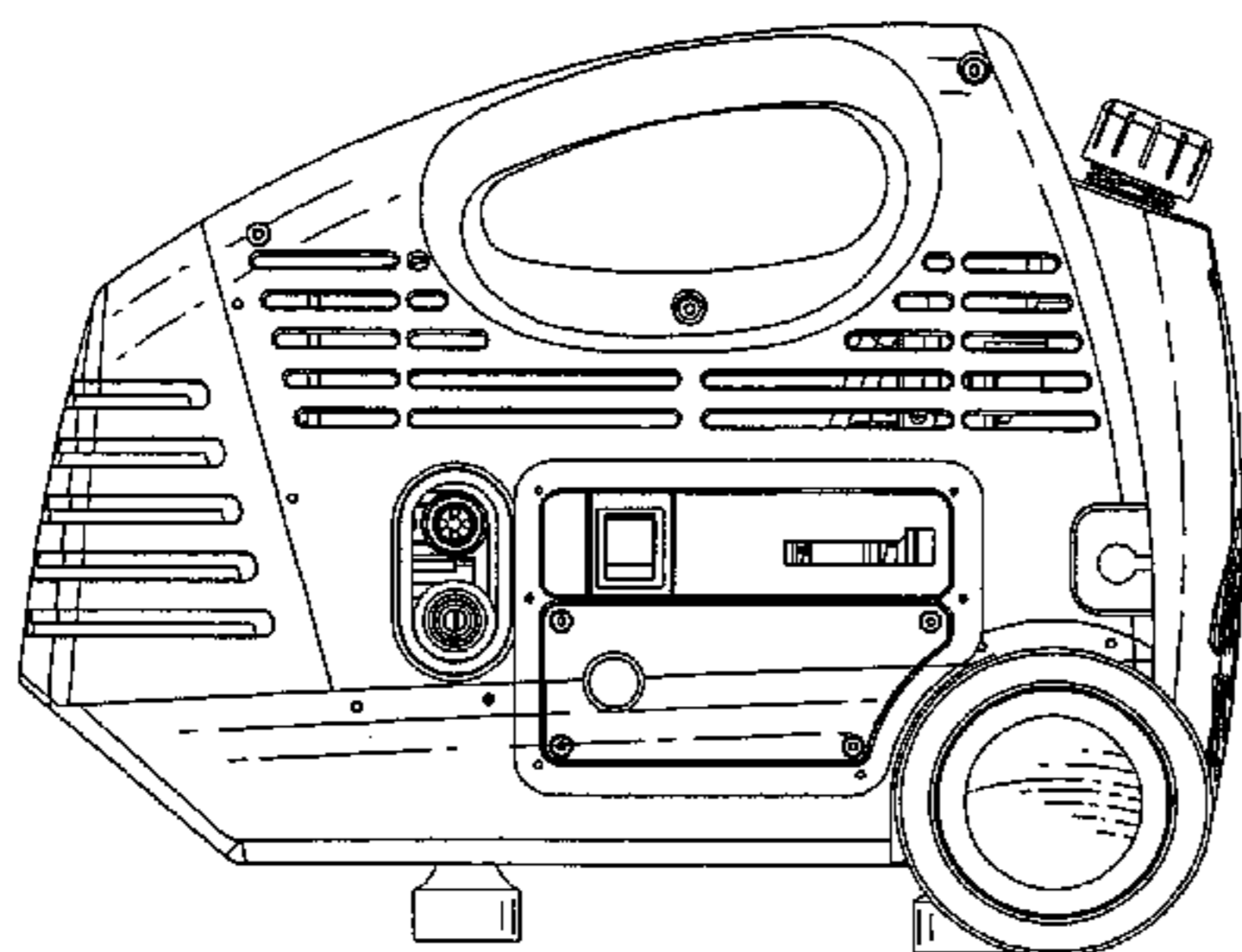
(57) **CLAIM**

The ornamental design for a gasoline driven cleaning machine, as shown.

**DESCRIPTION**

FIG. 1 is a front elevational view of a gasoline driven cleaning machine showing my new design;  
FIG. 2 is a rear elevational view thereof;  
FIG. 3 is a left side view thereof;  
FIG. 4 is a right side view thereof;  
FIG. 5 is a top plan view thereof; and,  
FIG. 6 is a bottom plan view thereof.

**1 Claim, 3 Drawing Sheets**



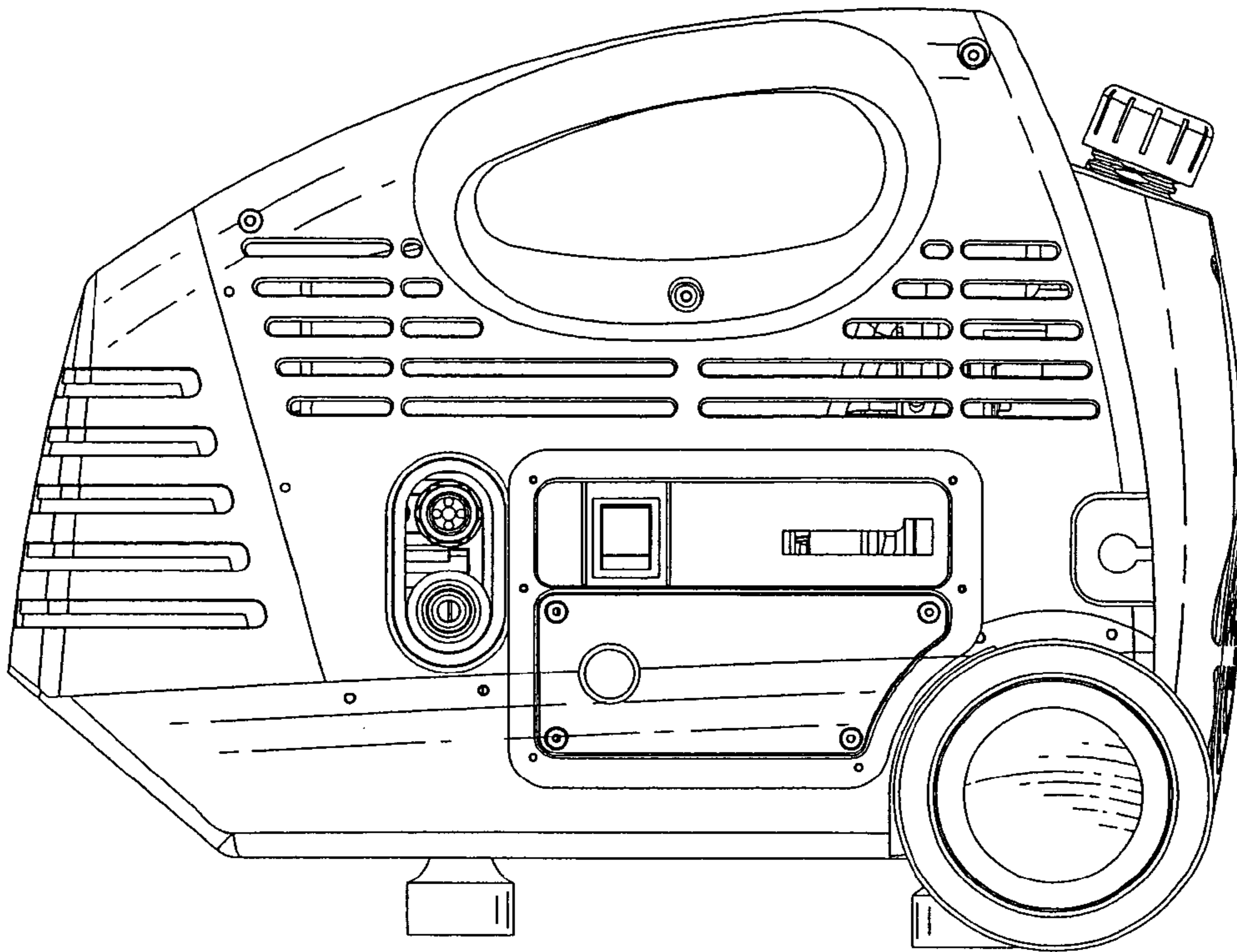


FIG. 1

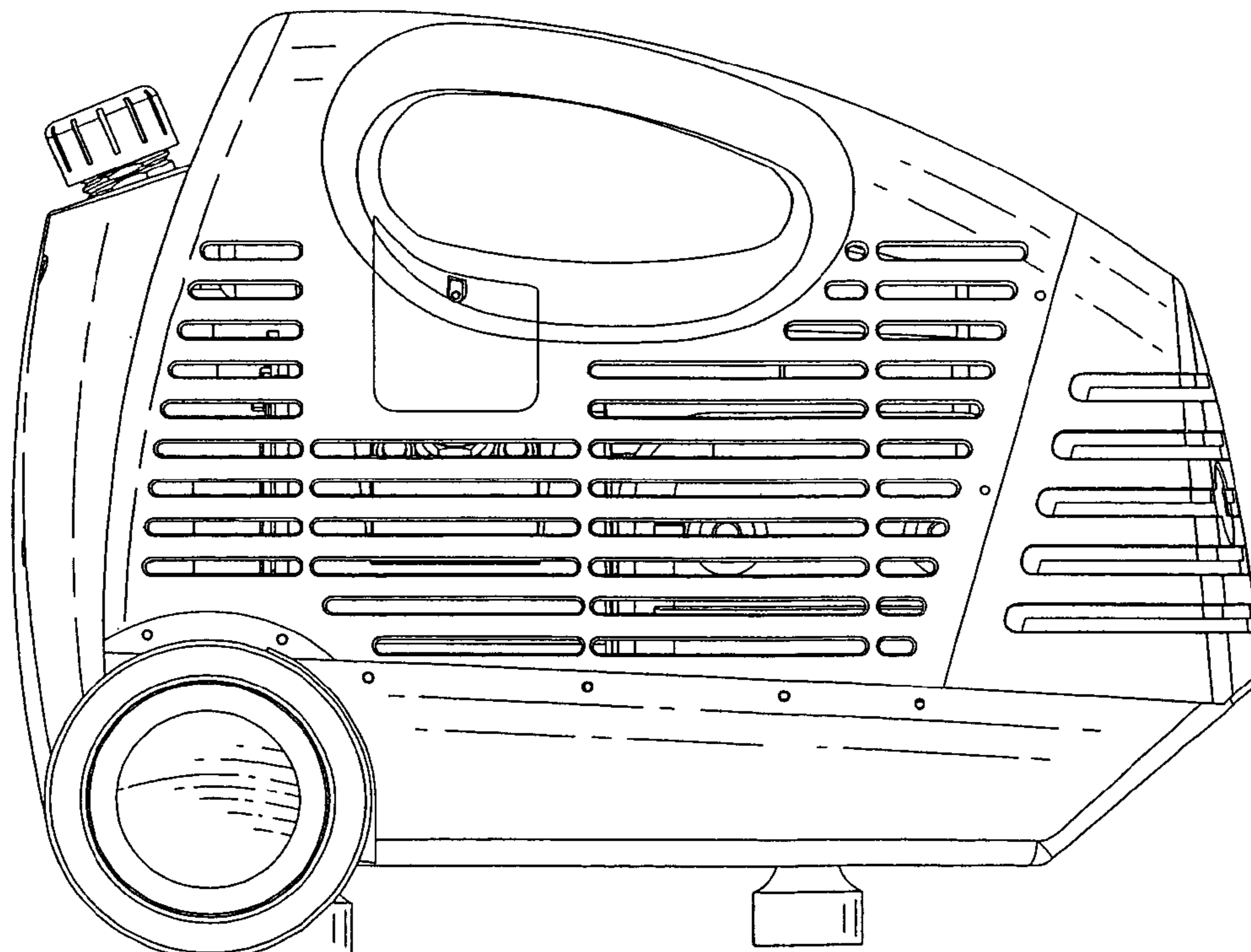


FIG. 2

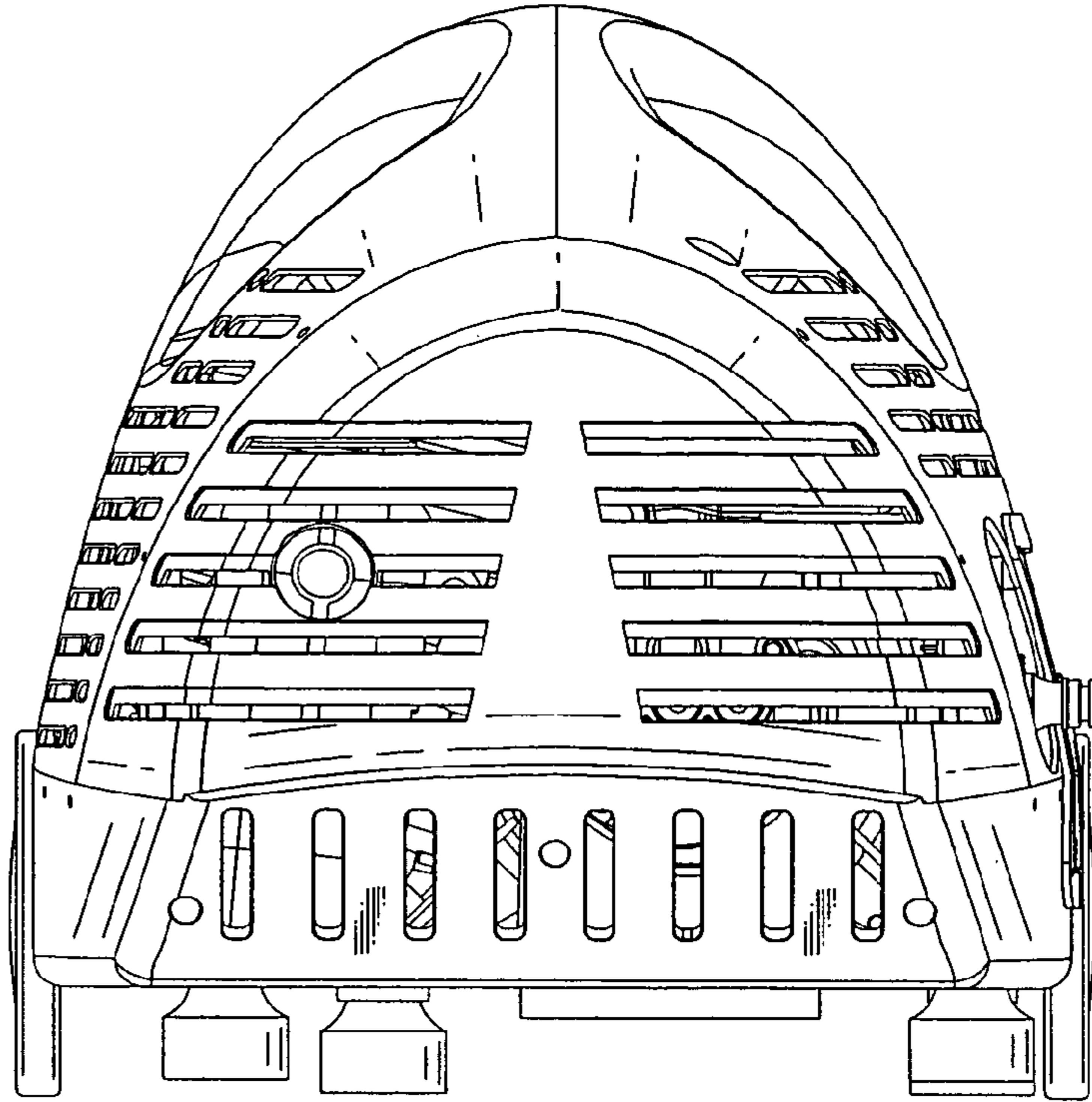


FIG. 3

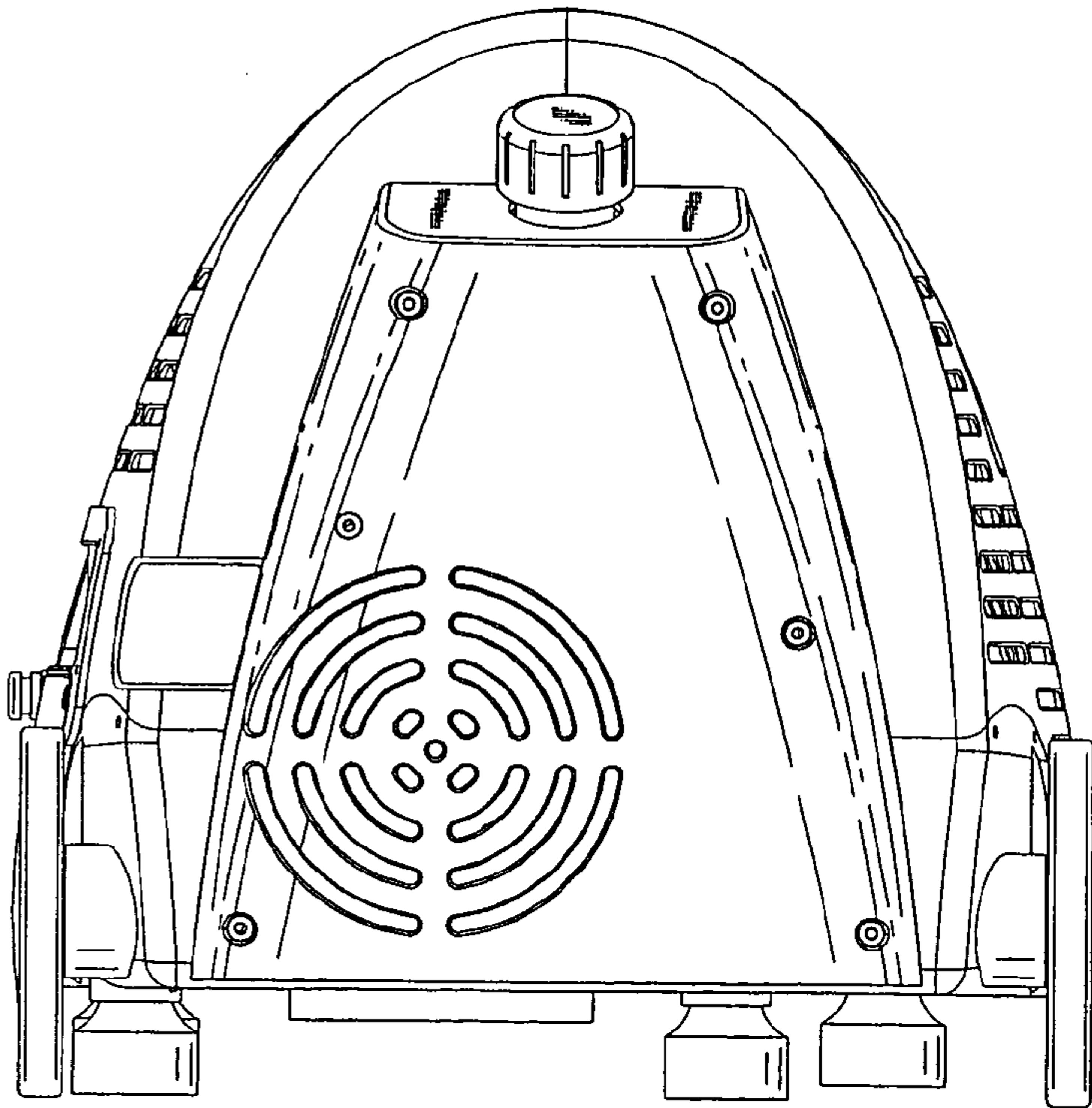


FIG. 4

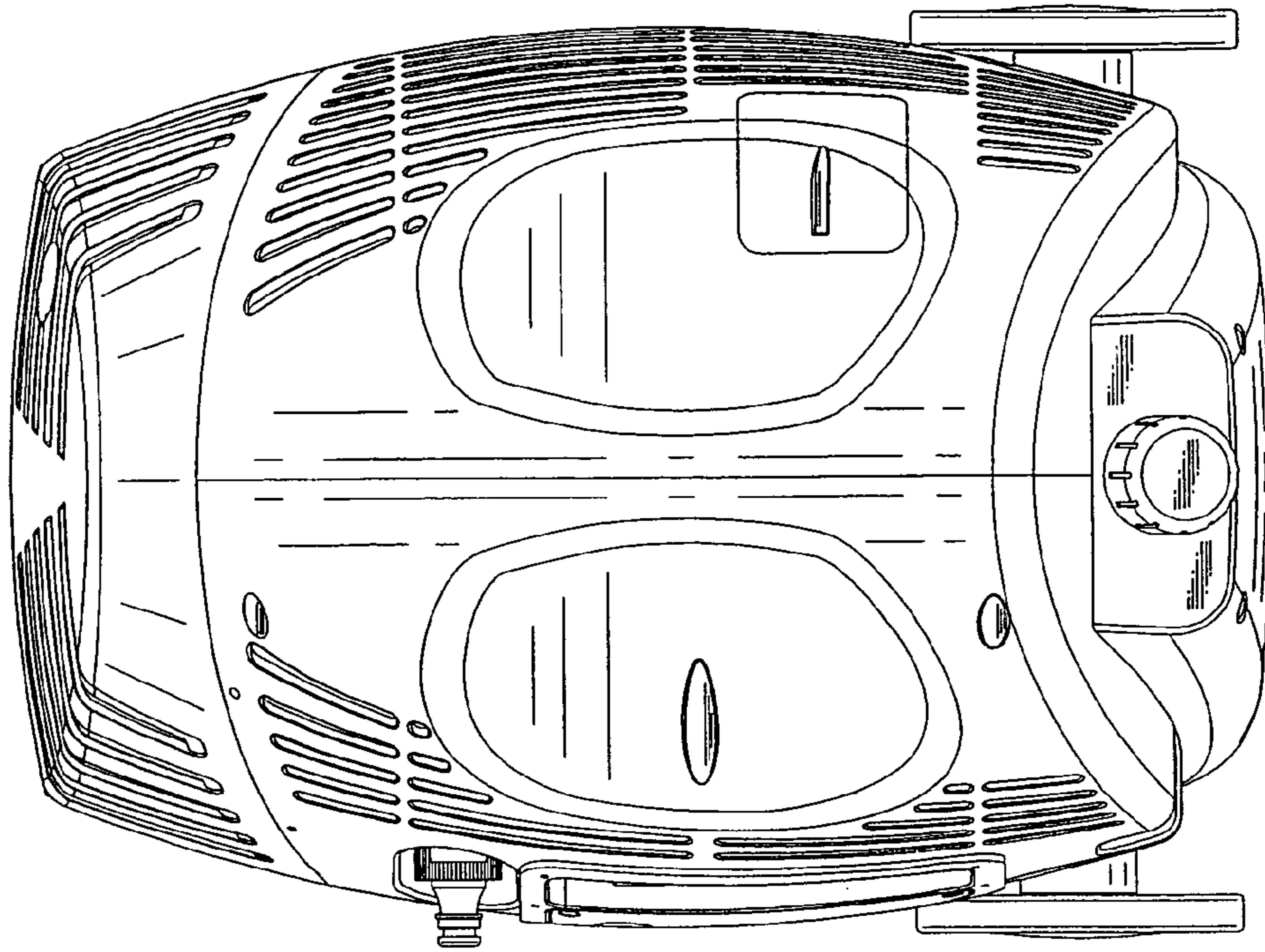


FIG. 5

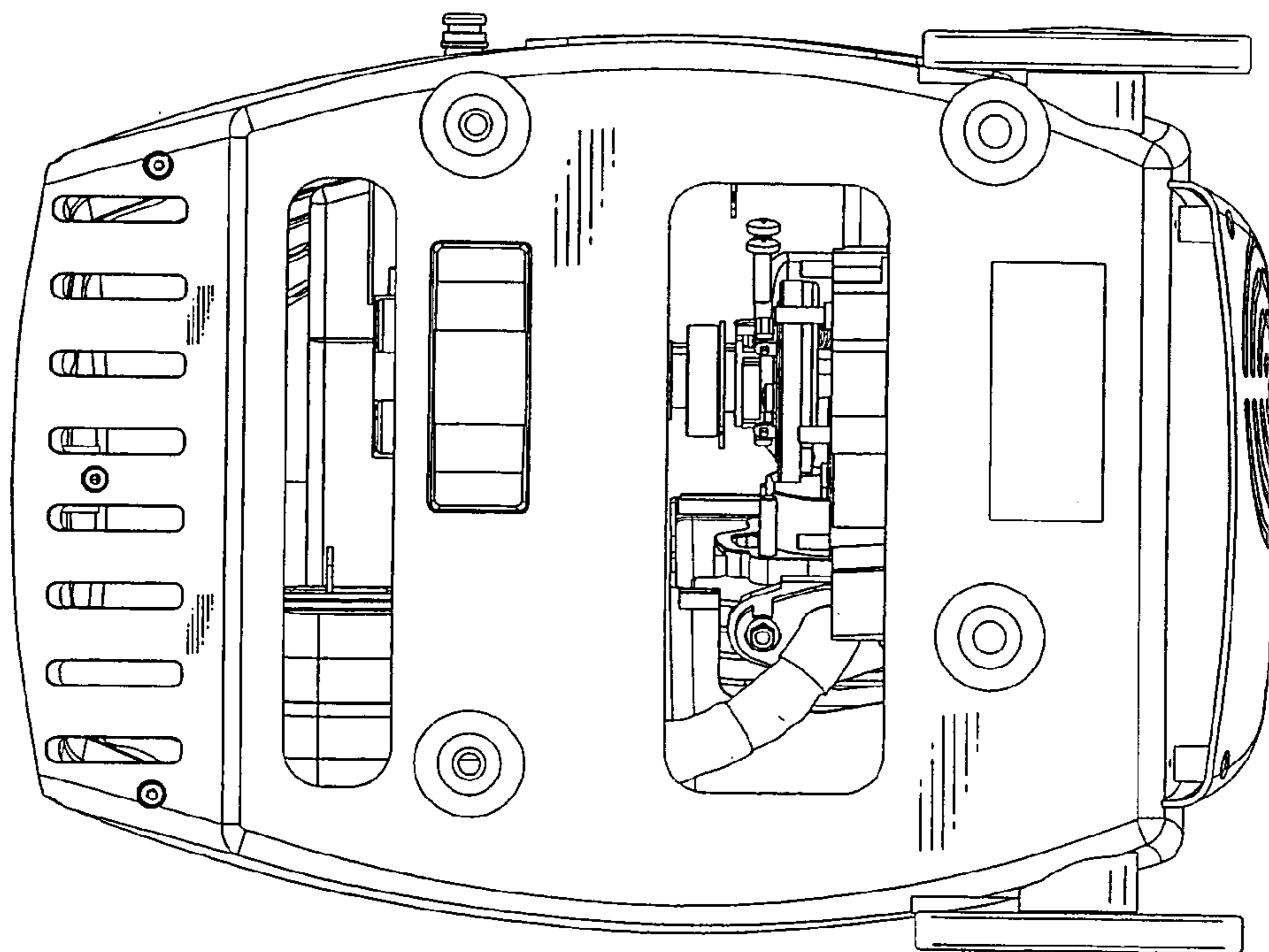


FIG. 6