



US00D547013S

(12) **United States Design Patent**  
**Tsengas**

(10) **Patent No.:** **US D547,013 S**

(45) **Date of Patent:** **\*\* Jul. 17, 2007**

(54) **TOY FISHING WAND WITH A SET OF INTERCHANGEABLE CAT LURES**

(75) Inventor: **Steven Tsengas**, Fairport Harbor, OH (US)

(73) Assignee: **Ourpet's Company**, Fairport Harbor, OH (US)

(\*\*) Term: **14 Years**

(21) Appl. No.: **29/265,231**

(22) Filed: **Aug. 28, 2006**

(51) **LOC (8) Cl.** ..... **30-99**

(52) **U.S. Cl.** ..... **D30/160**

(58) **Field of Classification Search** ..... D8/349, D8/353, 354; D25/119, 164; 249/139, 155, 249/130, 133, 275; 119/707, 702, 708, 711, 119/29, 29.5; D30/160; D22/137, 142; 43/44.96, 43/44.97, 44.94; 242/223

See application file for complete search history.

(56) **References Cited**

**U.S. PATENT DOCUMENTS**

D250,787 S *	1/1979	Nakao et al.	.....	D21/595
4,499,855 A *	2/1985	Galkiewicz	.....	119/708
D363,756 S *	10/1995	DiGrazia	.....	D22/142
5,743,215 A *	4/1998	Zeff	.....	119/708
D420,409 S *	2/2000	Koenig	.....	D21/698

6,314,913 B1 *	11/2001	Lettau et al.	.....	119/707
6,318,300 B1 *	11/2001	Renforth et al.	.....	119/708
6,481,381 B2 *	11/2002	Ritchey	.....	119/708
7,121,230 B2 *	10/2006	Ritchey	.....	119/708
2004/0224597 A1 *	11/2004	Rudell et al.	.....	445/15

\* cited by examiner

*Primary Examiner*—Louis S. Zarfaz

*Assistant Examiner*—Anna Dworzecka

(74) *Attorney, Agent, or Firm*—John D. Gugliotta

(57) **CLAIM**

The ornamental design for a toy fishing wand with a set of interchangeable cat lures, as shown and described.

**DESCRIPTION**

FIG. 1 is a perspective view of a toy fishing wand with a set of interchangeable cat lures showing my new design with 1 lure attached and the remainder shown beneath.

FIG. 2 is a left elevational view thereof.

FIG. 3 is a right elevational view thereof.

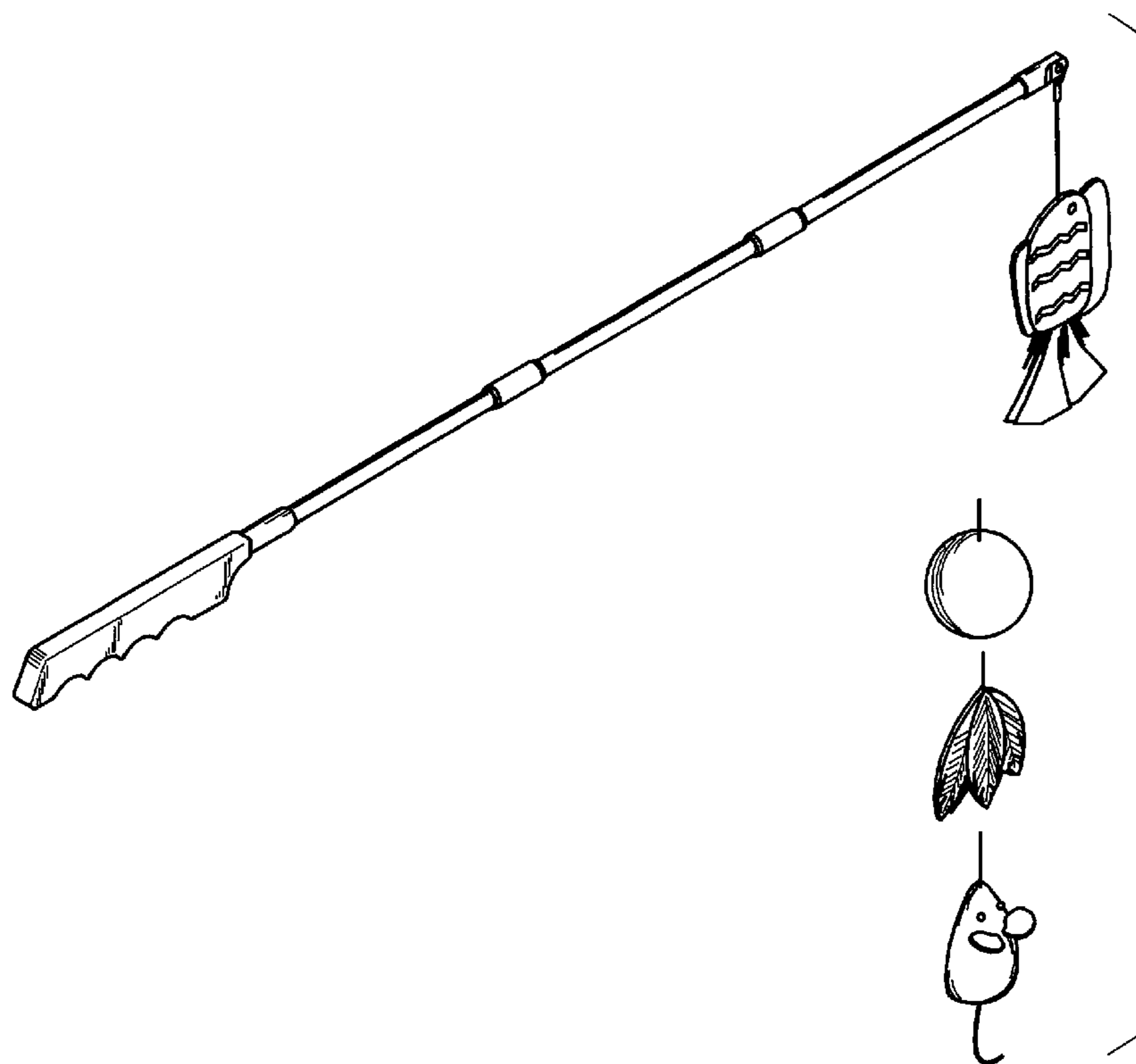
FIG. 4 is a top plan view thereof.

FIG. 5 is a bottom plan view thereof.

FIG. 6 is a front elevational view; and,

FIG. 7 is a rear elevational view thereof.

**1 Claim, 7 Drawing Sheets**



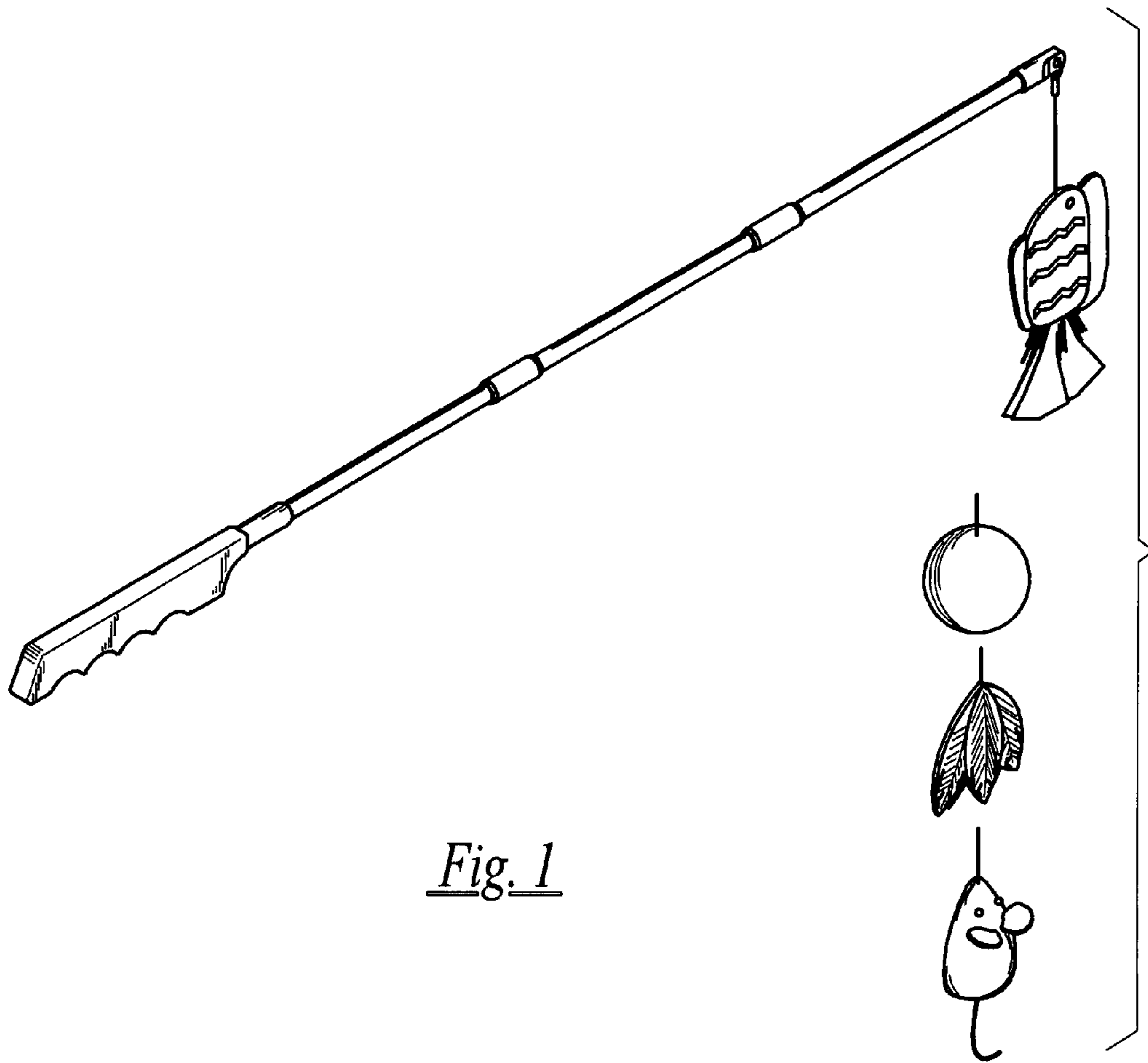


Fig. 1

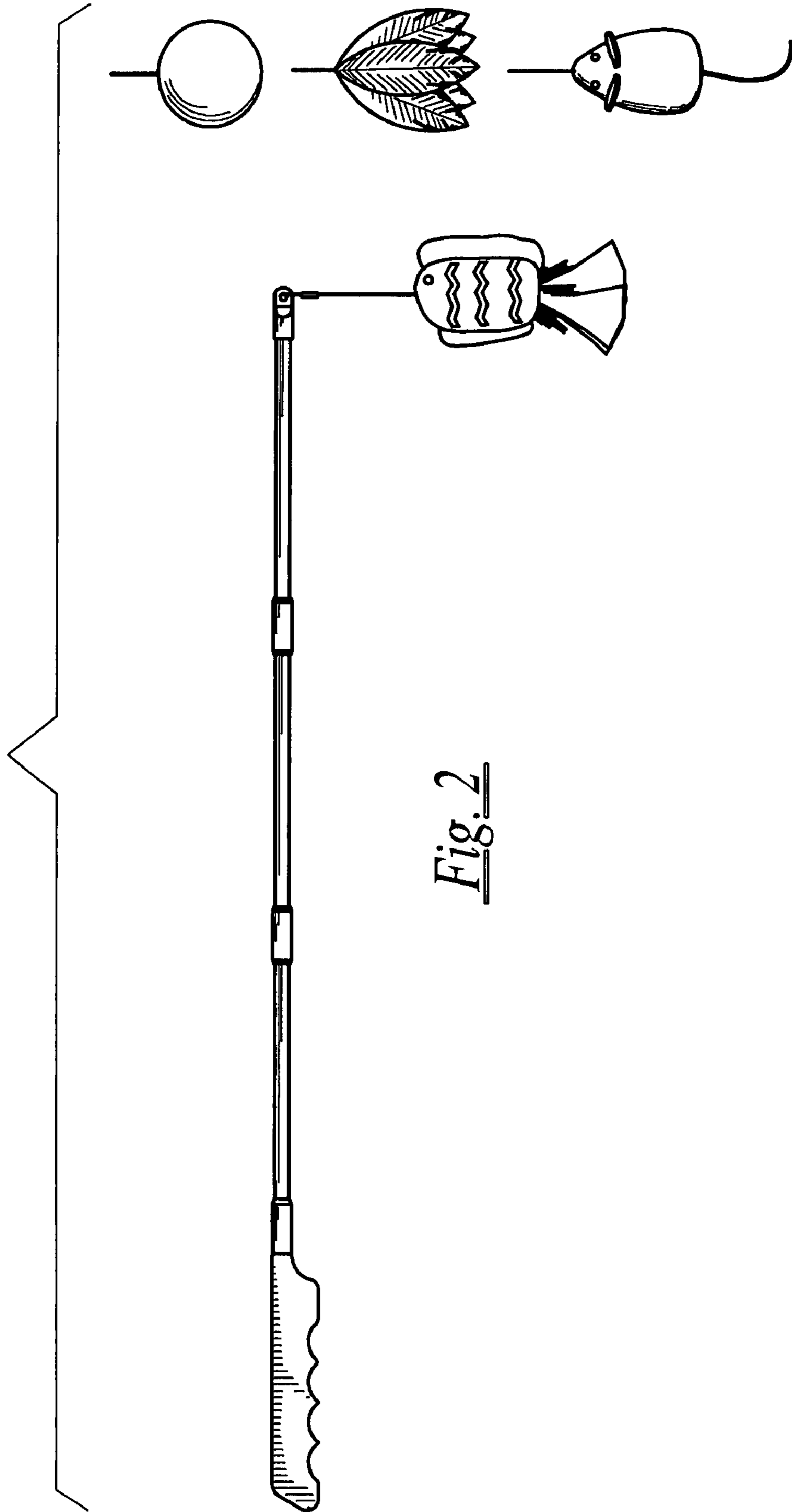


Fig. 2

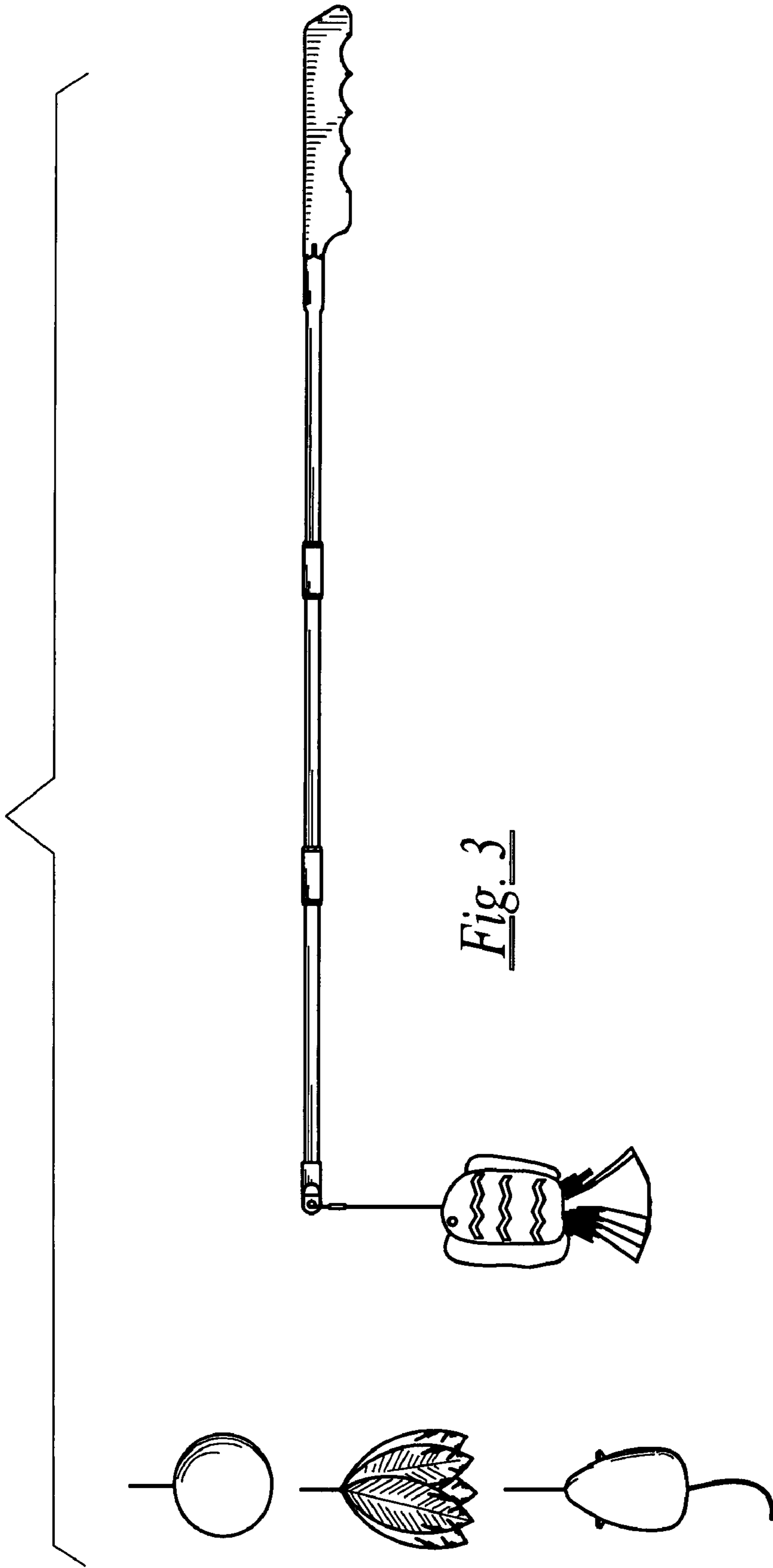


Fig. 3

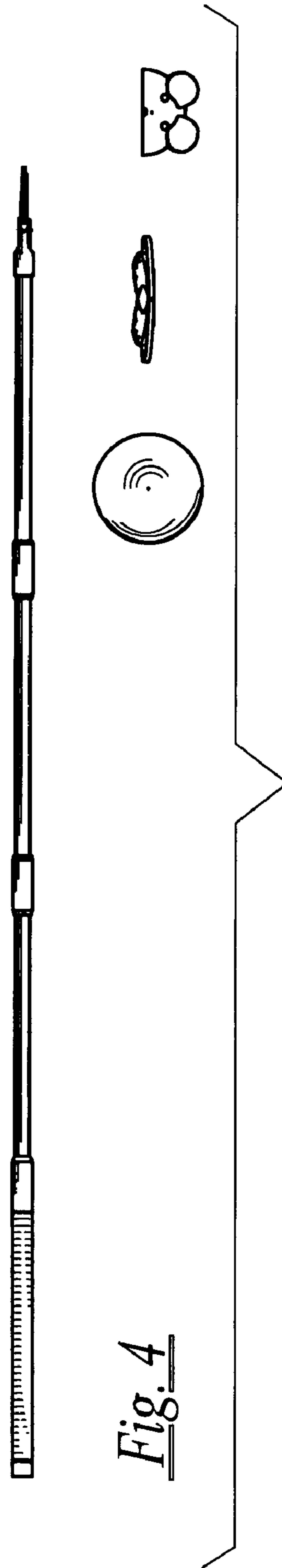


Fig. 4



Fig. 5

