



US00D547008S

(12) **United States Design Patent**  
**Machold**

(10) **Patent No.:** **US D547,008 S**

(45) **Date of Patent:** **\*\* Jul. 17, 2007**

(54) **EAR-PROTECTIVE COVERING**

(76) **Inventor:** **Geraldine M. Machold**, 9041 Kathleen Ave., St. Louis, MO (US) 63123

(\*\*) **Term:** **14 Years**

(21) **Appl. No.:** **29/245,267**

(22) **Filed:** **Dec. 22, 2005**

(51) **LOC (8) Cl.** ..... **29-02**

(52) **U.S. Cl.** ..... **D29/112**

(58) **Field of Classification Search** ..... D29/102-108, D29/112, 122, 101.5; D2/711; D24/189, D24/191; 2/455, 466, 410-411, 414, 421, 2/423-425, 9, 206, 209, 909, 174; 128/889, 128/891, 894, 857, 864, 866-867; D6/601  
See application file for complete search history.

(56) **References Cited**

**U.S. PATENT DOCUMENTS**

2,149,383	A *	3/1939	Bean	.....	2/209
2,633,127	A *	3/1953	Scholl	.....	128/894
2,754,519	A *	7/1956	Kindel	.....	2/209
3,301,254	A *	1/1967	Schickendanz	.....	128/894
3,452,365	A	7/1969	Wallace		
D254,876	S *	5/1980	Reitenga et al.	.....	D29/112
D331,130	S *	11/1992	Williams	.....	D29/112
D339,659	S *	9/1993	Collins	.....	D29/112
D344,611	S *	2/1994	Hordis	.....	D29/112

D364,710	S *	11/1995	Byrd	.....	D29/112
D386,348	S *	11/1997	Weidman et al.	.....	D6/601
5,718,001	A	2/1998	Wright		
5,898,945	A *	5/1999	Weiser	.....	2/209
5,920,912	A	7/1999	Patchett		
D415,861	S	10/1999	Marshall		
D425,671	S *	5/2000	Cooper et al.	.....	D29/112
6,237,157	B1	5/2001	Lobbins		
6,298,493	B1	10/2001	Ambroise		

\* cited by examiner

*Primary Examiner*—Ruth McInroy

(57) **CLAIM**

I claim the ornamental design for an ear-protective covering, as shown and described.

**DESCRIPTION**

FIG. 1 is a perspective view of a ear-protective covering showing my new design;

FIG. 2 is a front elevational view thereof;

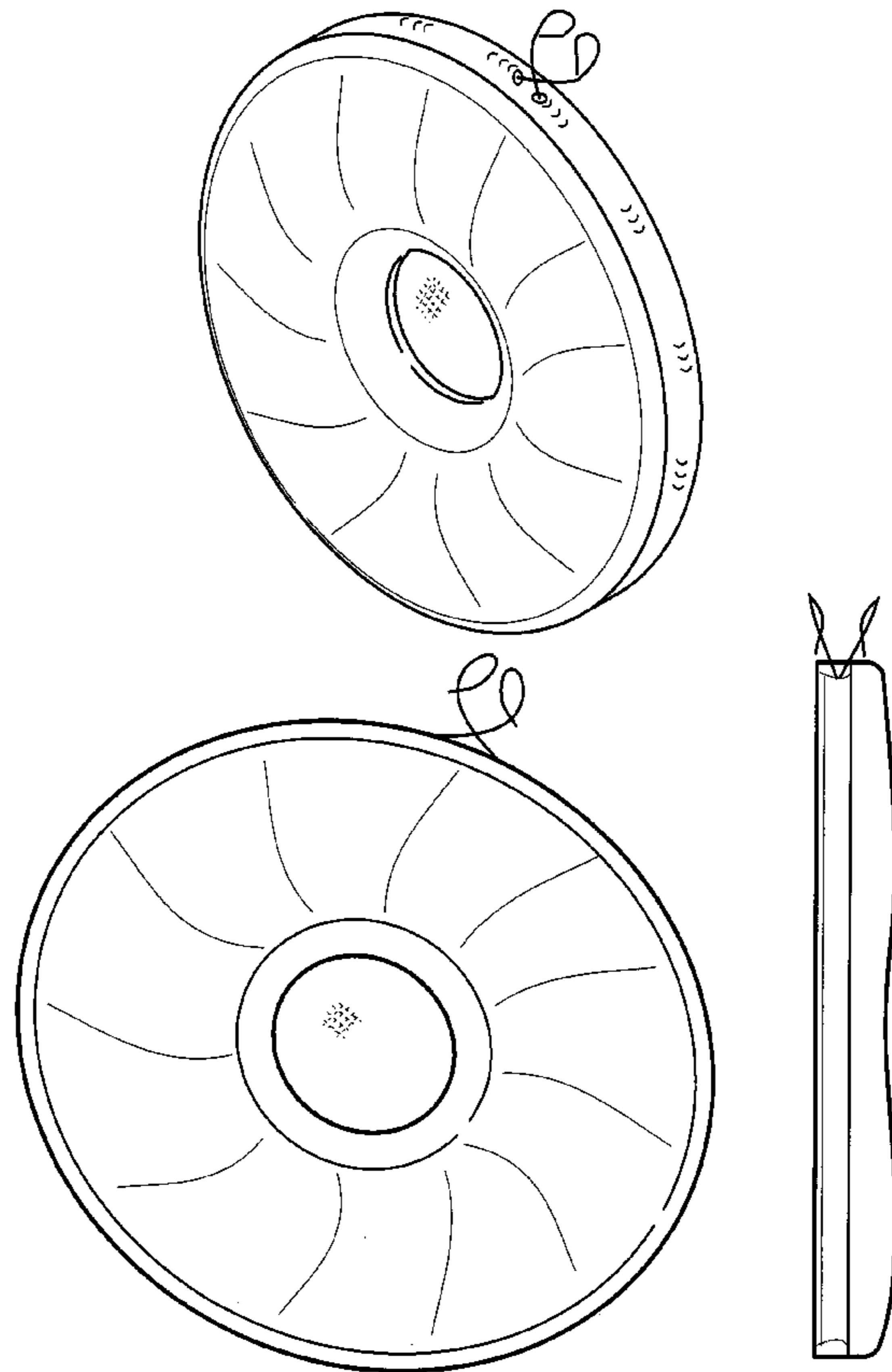
FIG. 3 is a top plan view thereof;

FIG. 4 is a rear elevational thereof; and,

FIG. 5 is a side view thereof.

The crosshatch shading shown in broken lines forms no part of the claimed design.

**1 Claim, 3 Drawing Sheets**



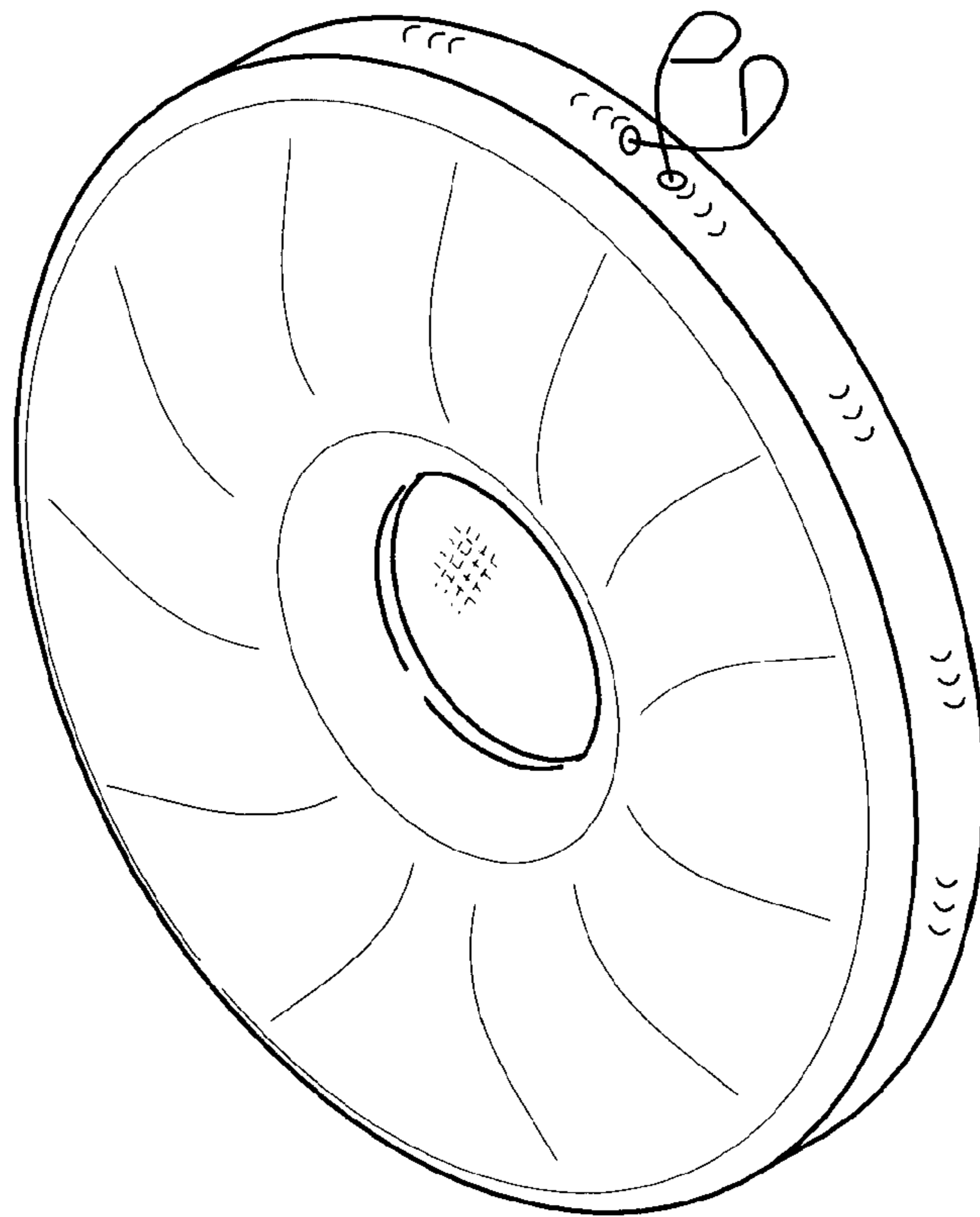


FIG. 1

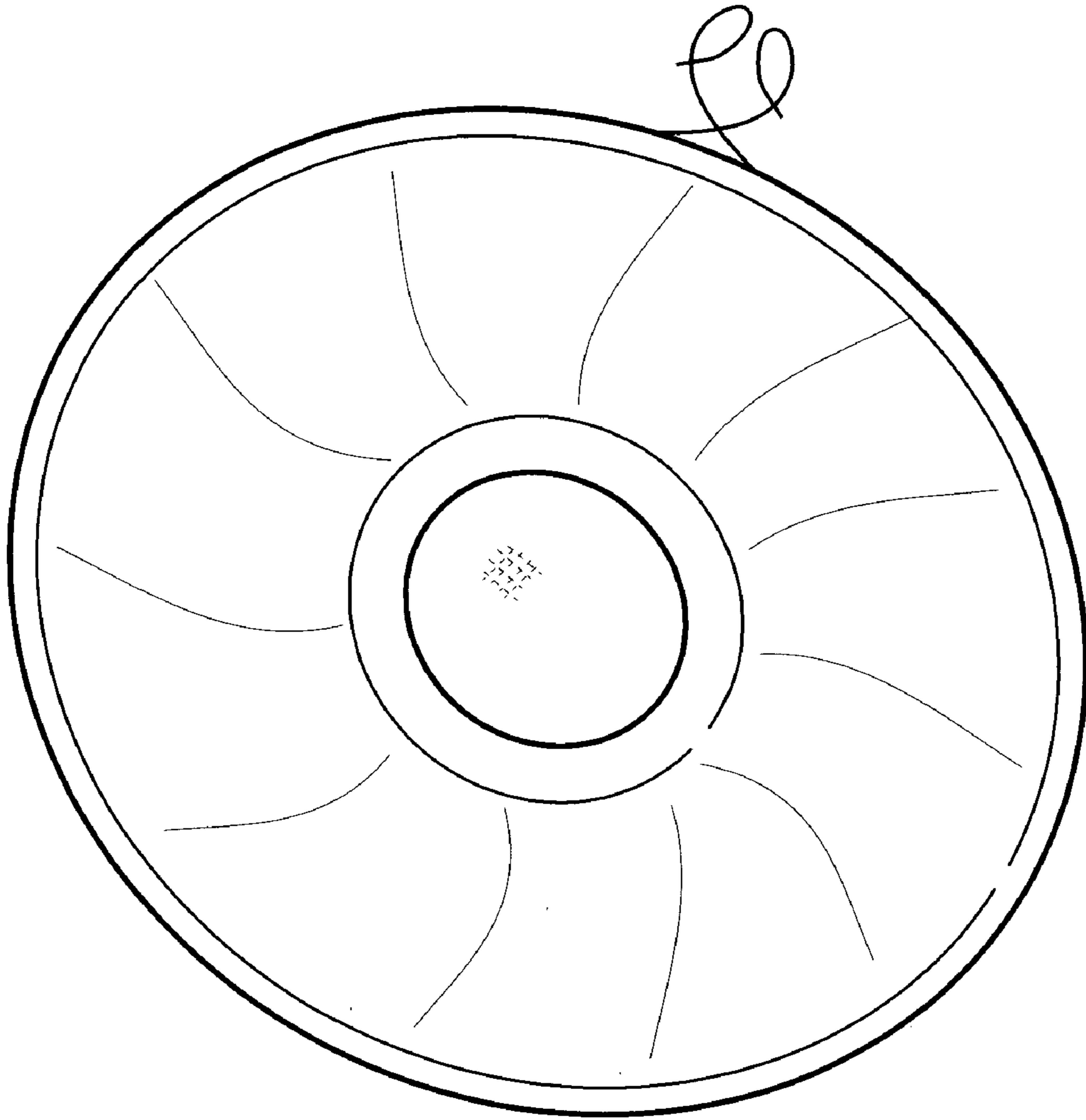


FIG. 2

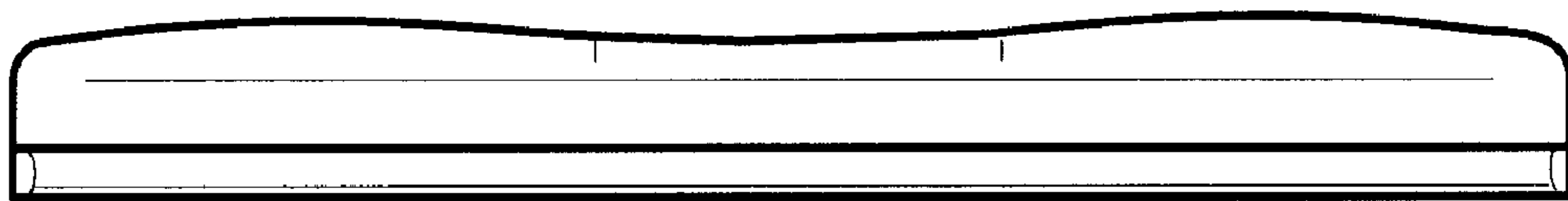


FIG. 3

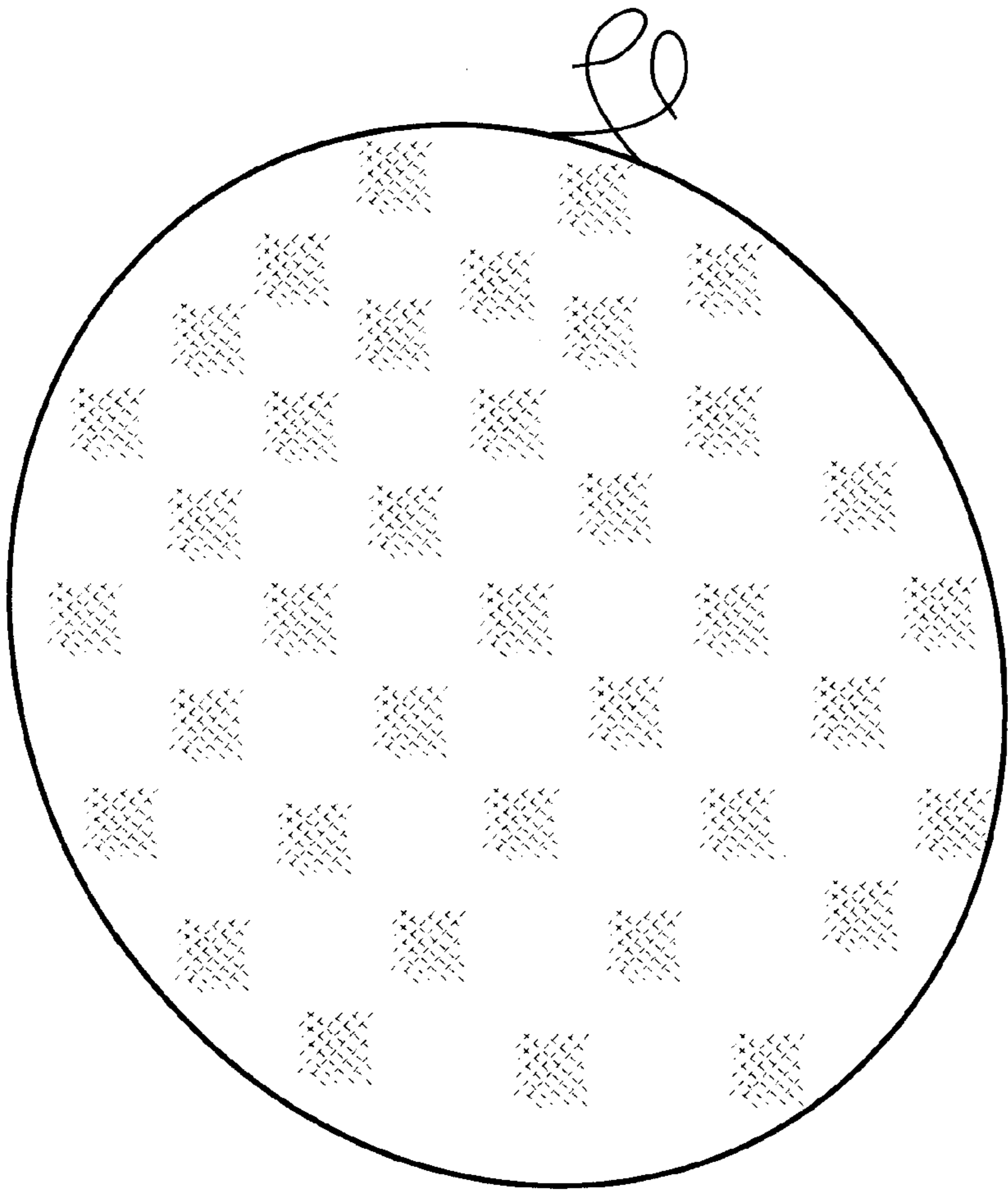


FIG. 4

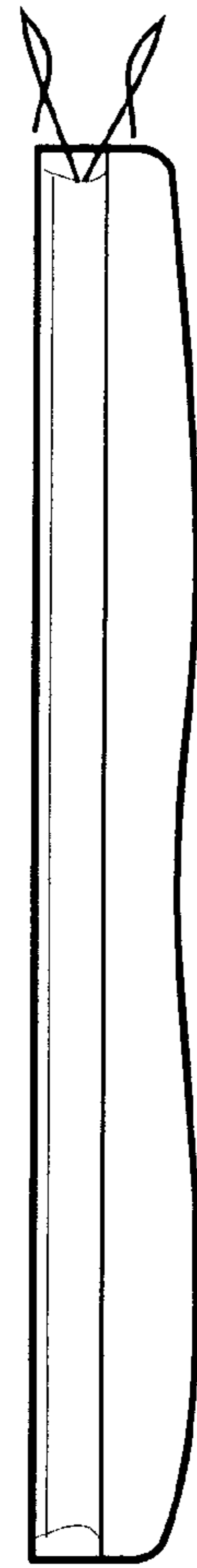


FIG. 5