

US00D547007S

(12) **United States Design Patent**  
**Schindler**

(10) **Patent No.:** **US D547,007 S**

(45) **Date of Patent:** **\*\* Jul. 17, 2007**

(54) **COMMANDO HELMET**

(75) Inventor: **Klaus Schindler**, Braunschweig (DE)

(73) Assignee: **Schuberth Werk GmbH**,  
Braunschweig (DE)

(\*\*) Term: **14 Years**

(21) Appl. No.: **29/224,299**

(22) Filed: **Feb. 28, 2005**

(51) **LOC (8) Cl.** ..... **29-02**

(52) **U.S. Cl.** ..... **D29/107**

(58) **Field of Classification Search** ..... D29/102-112,  
D29/122; 2/5, 6.1-6.8, 9, 410-415, 421-425,  
2/427-428, 435, 452, 468, 205-206, 172-173,  
2/209.13, 209.14

See application file for complete search history.

(56) **References Cited**

**U.S. PATENT DOCUMENTS**

D200,757 S *	4/1965	Hiatt et al. ....	D29/107
D207,900 S *	6/1967	Feldman et al. ....	D29/105
D253,197 S *	10/1979	Jarvinen ....	D29/107
D256,851 S *	9/1980	Knadle et al. ....	D29/105
D324,115 S *	2/1992	Brooks ....	D29/107
D330,951 S *	11/1992	Kamata ....	D29/107

D397,519 S *	8/1998	Crupi et al. ....	D29/107
6,282,726 B1 *	9/2001	Noyerie et al. ....	2/424
6,711,753 B2 *	3/2004	Arai ....	2/424
6,795,977 B2 *	9/2004	Basson et al. ....	2/422
D510,644 S *	10/2005	Batstone ....	D29/107

\* cited by examiner

*Primary Examiner*—Ruth McInroy

(74) *Attorney, Agent, or Firm*—Whitham Curtis  
Christofferson & Cook, PC

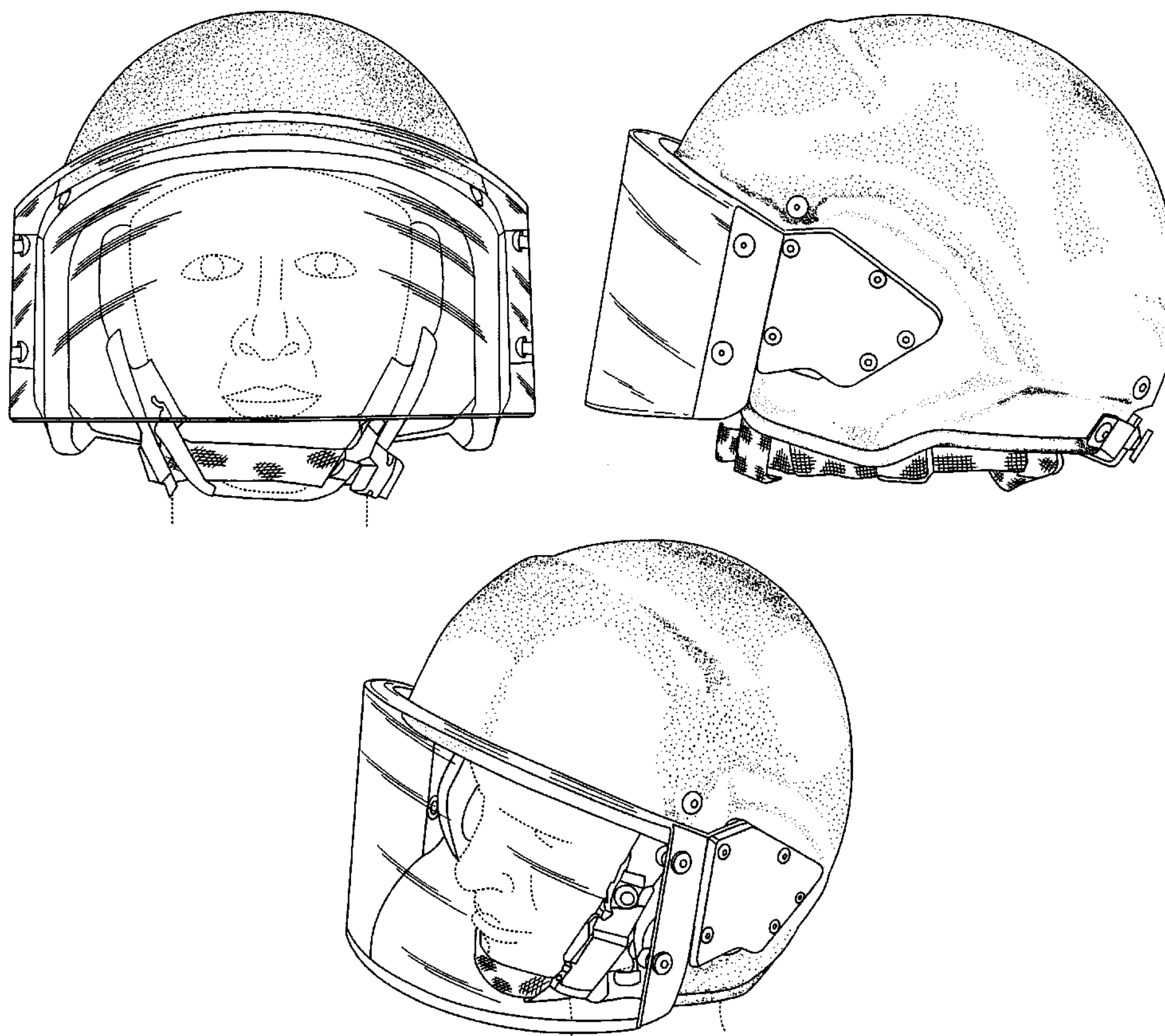
(57) **CLAIM**

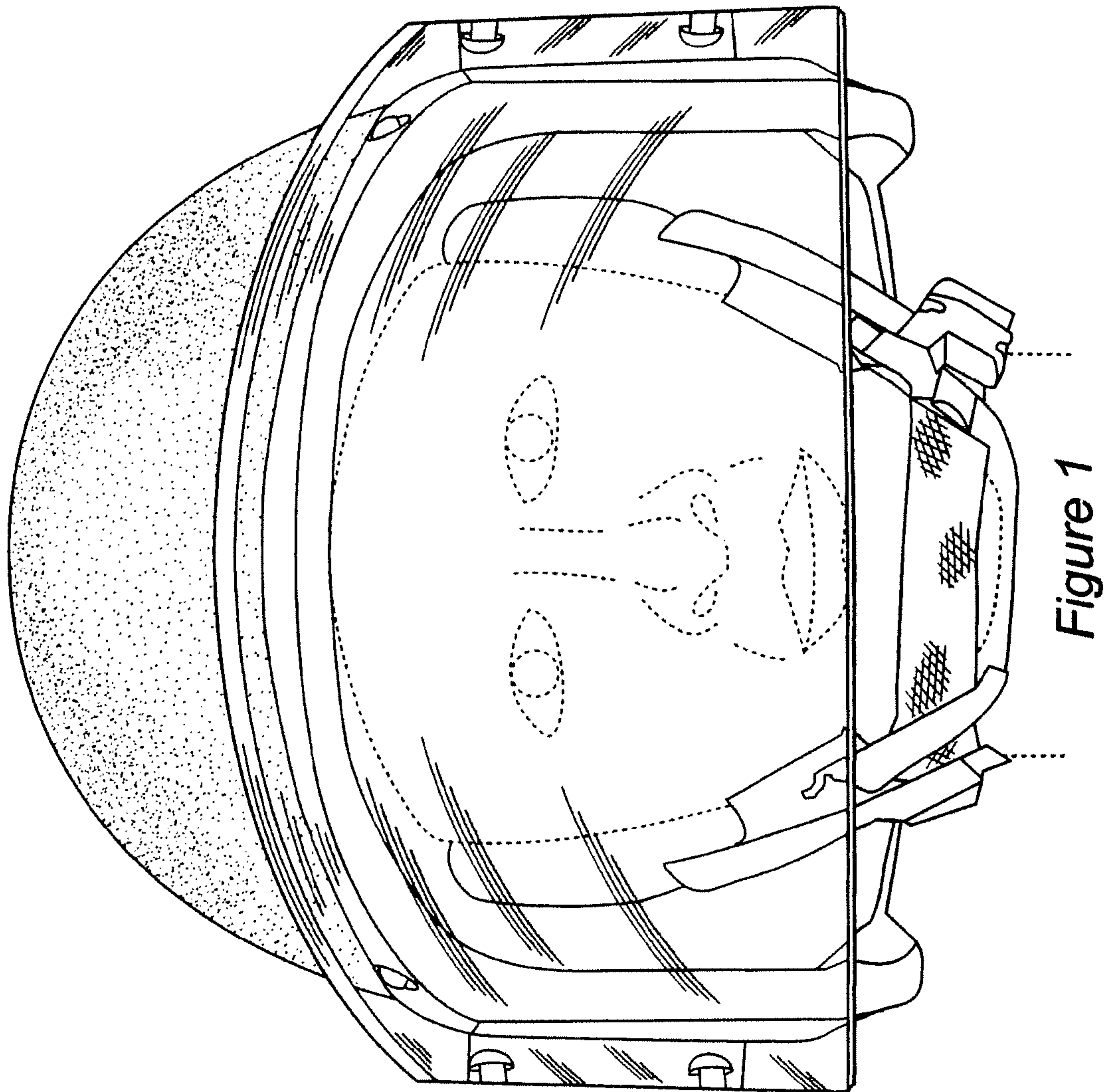
I claim the ornamental design for the commando helmet, as shown and described.

**DESCRIPTION**

FIG. 1 is a front view of the commando helmet;  
FIG. 2 is a back view of the commando helmet;  
FIG. 3 is a left side view of the commando helmet;  
FIG. 4 is a right side view of the commando helmet;  
FIG. 5 is a top plan view of the commando helmet;  
FIG. 6 is a bottom plan view of the commando helmet; and,  
FIG. 7 is an isometric view of the commando helmet.

**1 Claim, 7 Drawing Sheets**





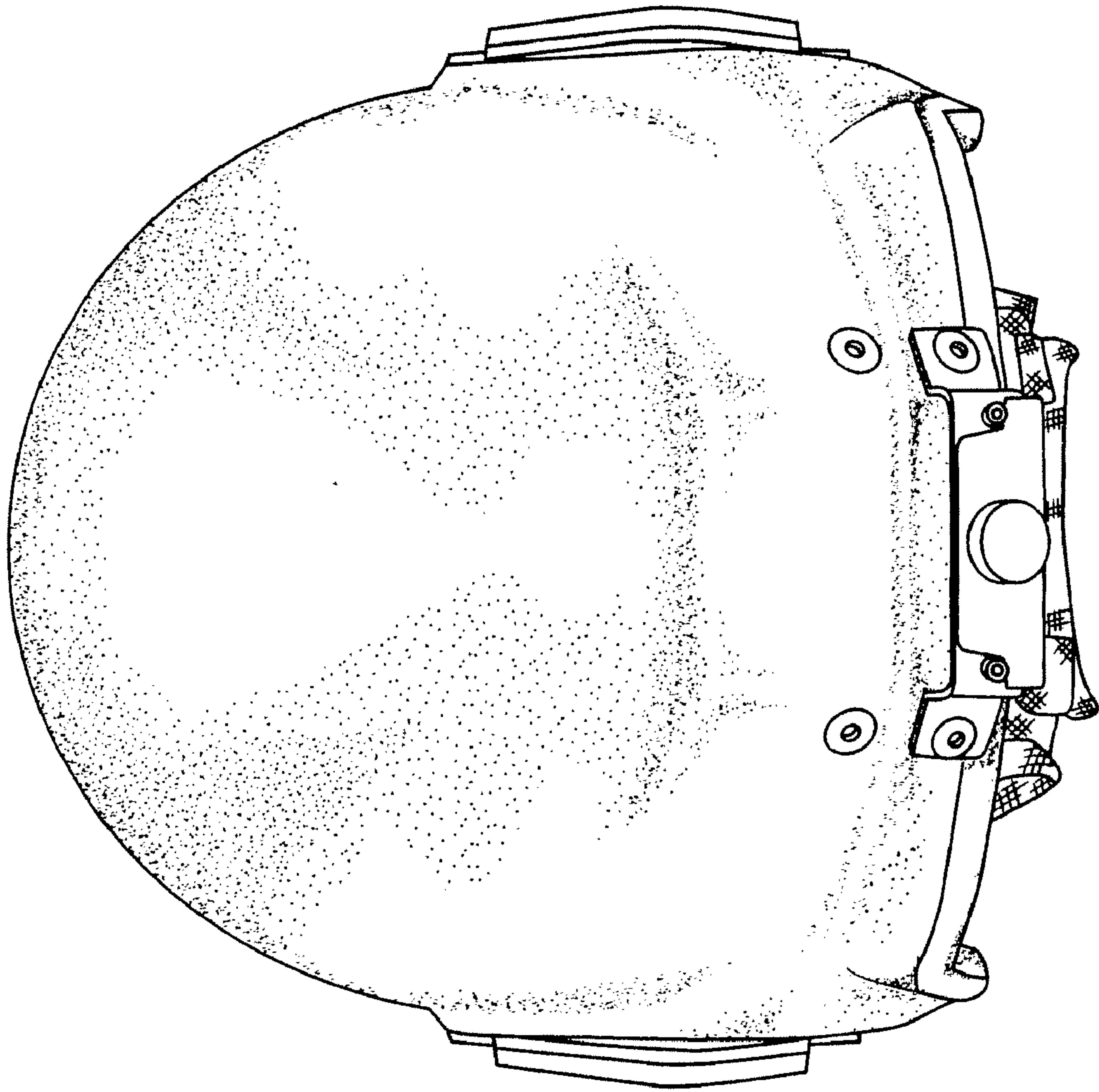


Figure 2



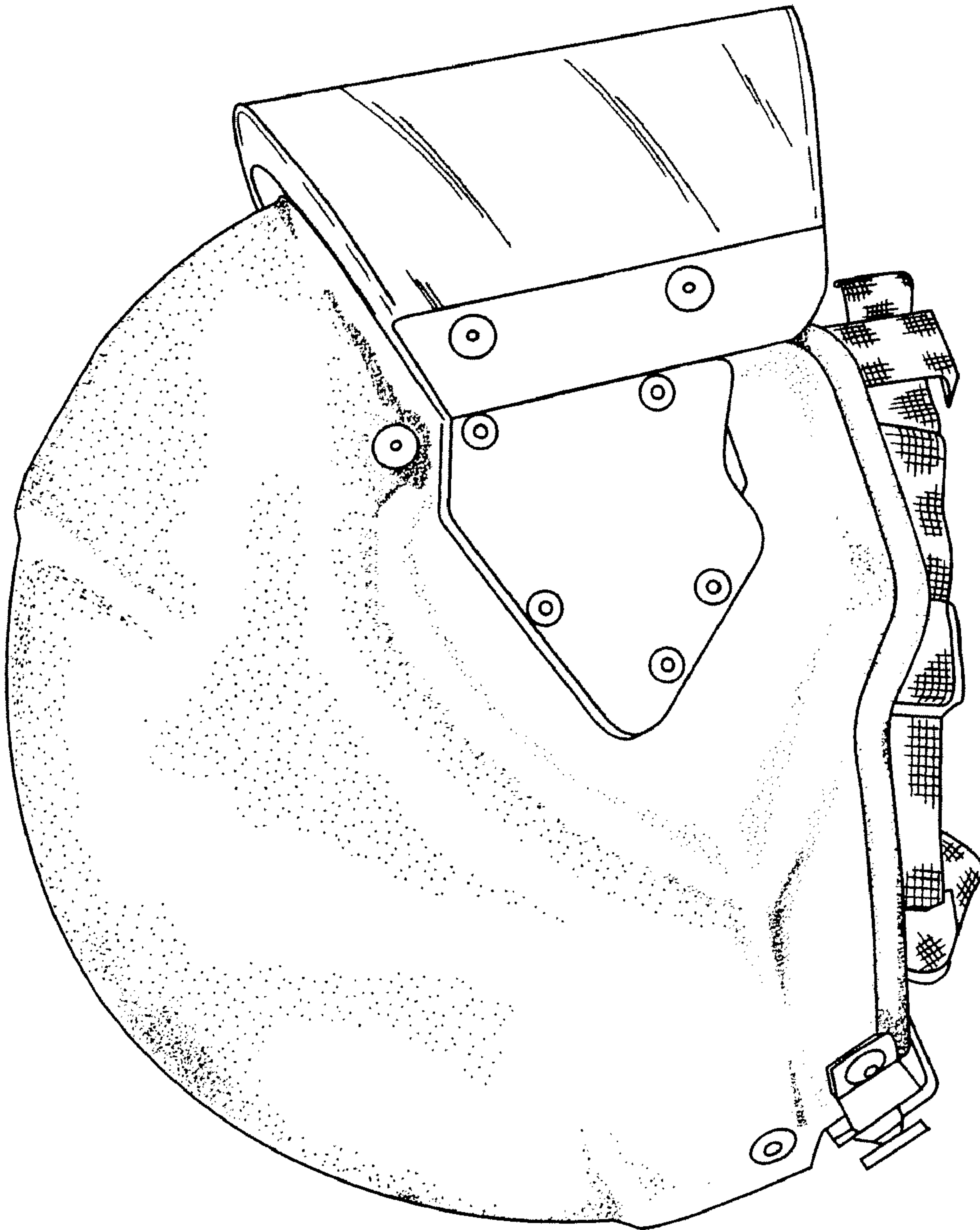


Figure 3

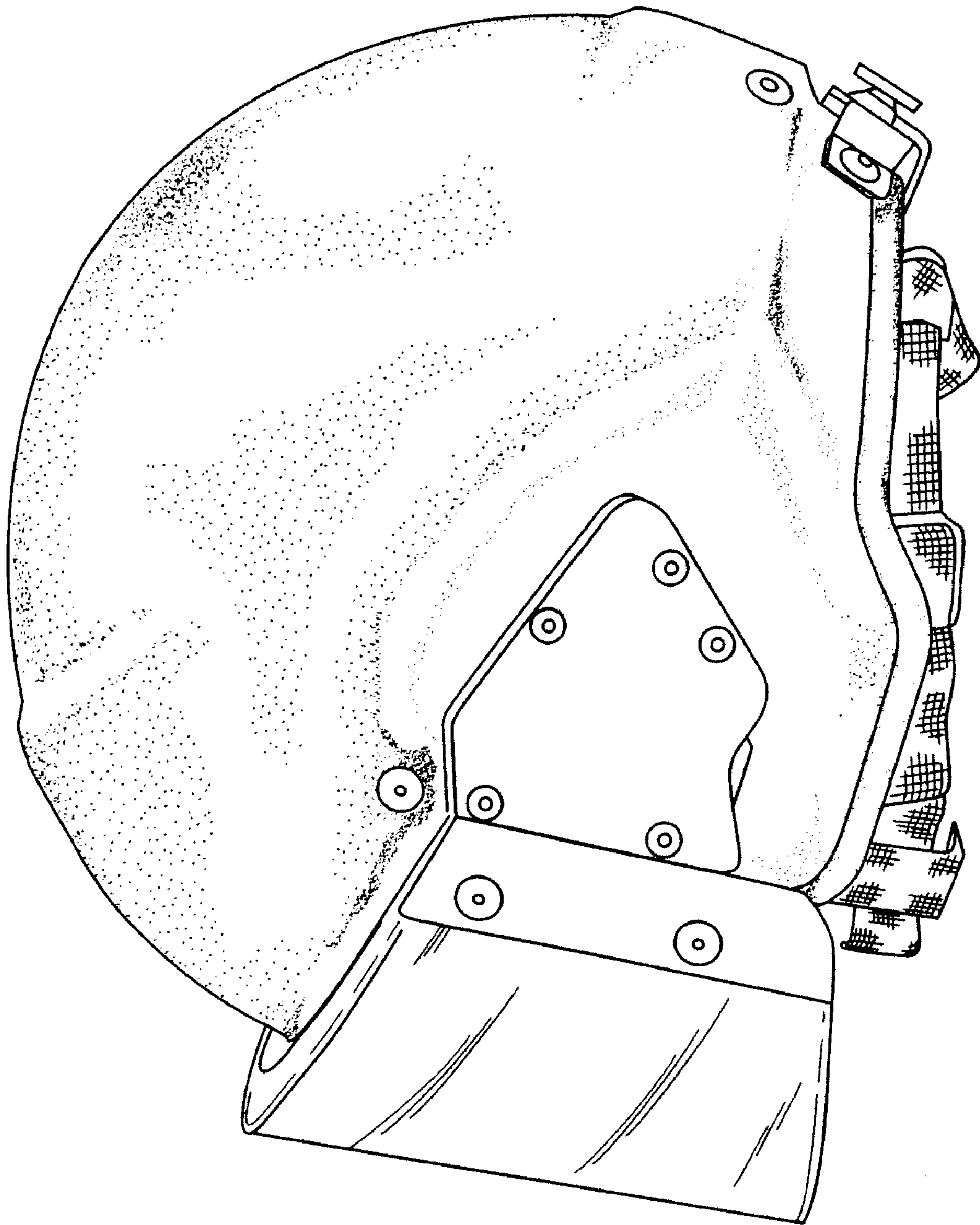


Figure 4

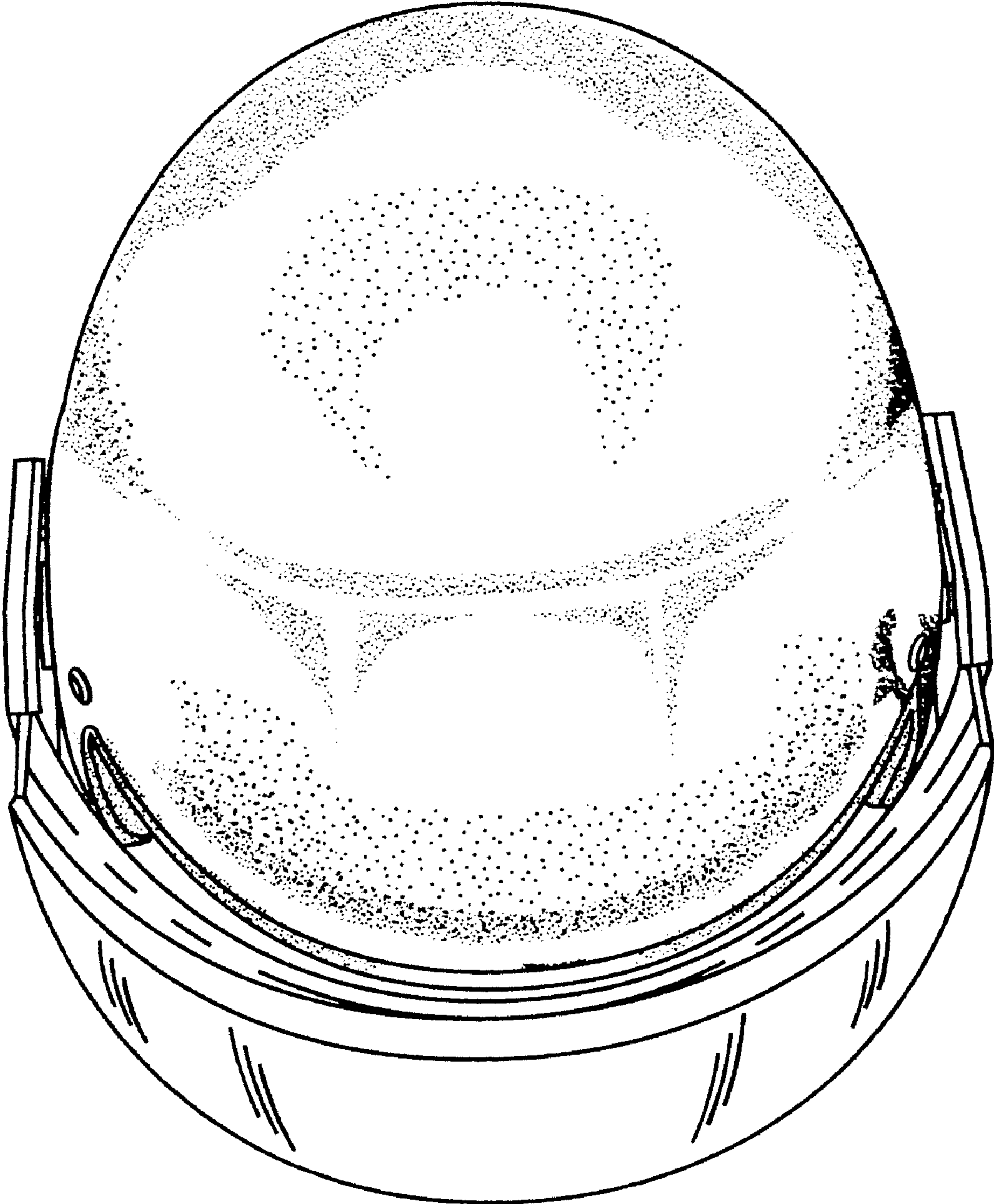


Figure 5



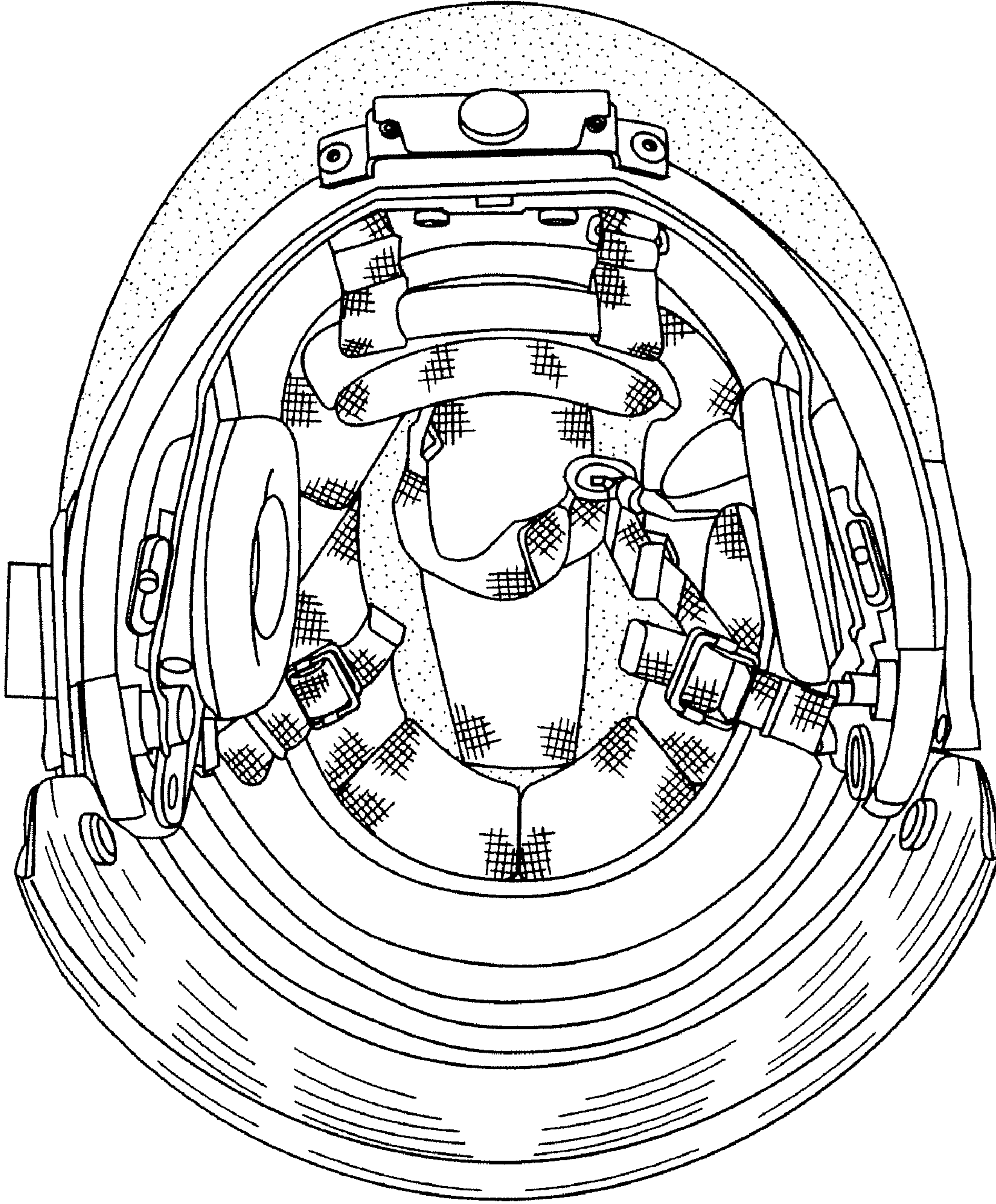


Figure 6

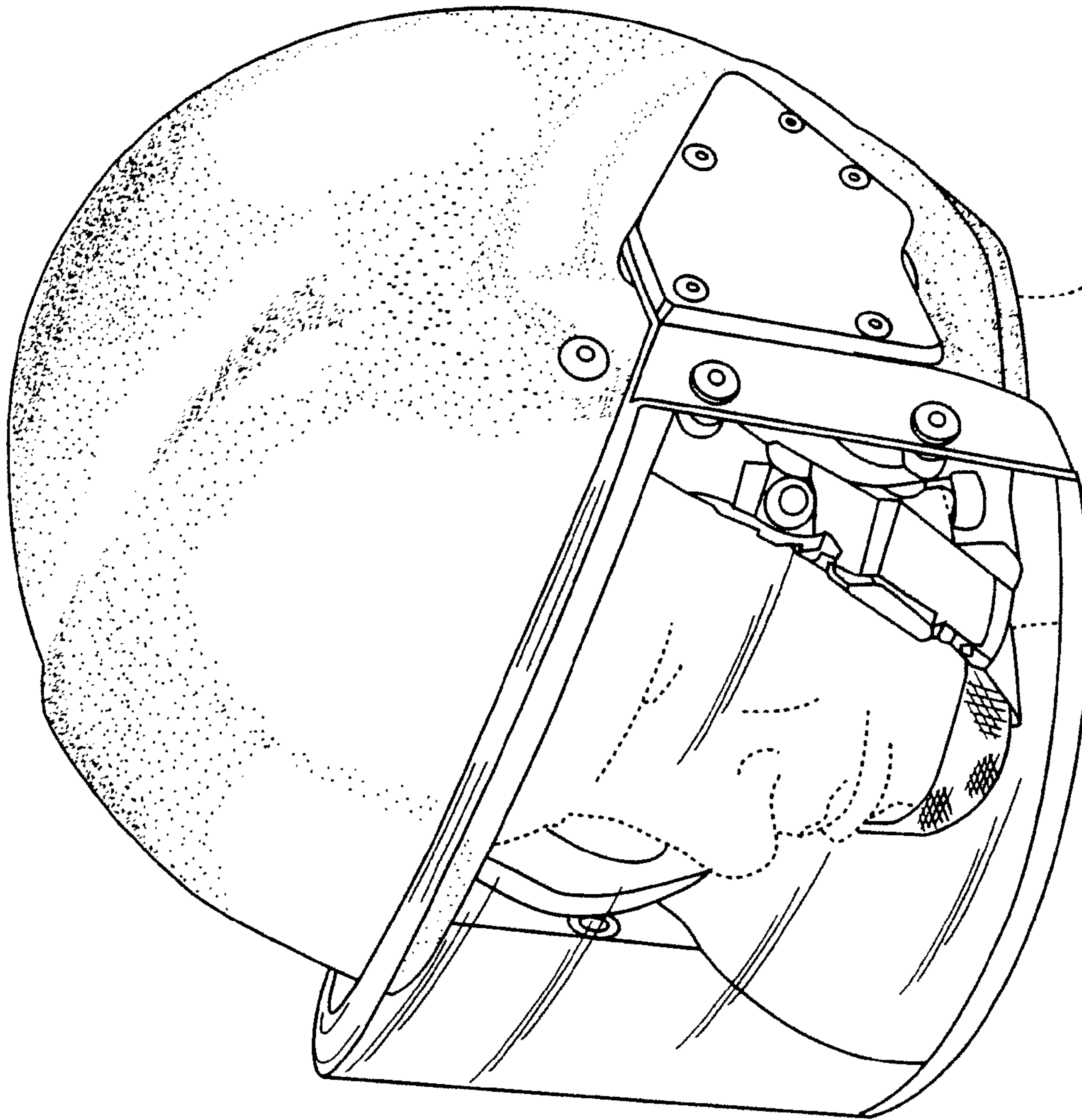


Figure 7