



US00D547006S

(12) **United States Design Patent**
Han et al.

(10) **Patent No.:** **US D547,006 S**
(45) **Date of Patent:** **** Jul. 17, 2007**

(54) **NAIL CLIPPER**

(75) Inventors: **Jeong Sik Han**, Seoul (KR); **Gyoung Hee Kim**, Seoul (KR)

(73) Assignee: **Bocas Inc.**, Seocho-gu, Seoul (KR)

(**) Term: **14 Years**

(21) Appl. No.: **29/232,192**

(22) Filed: **Jun. 16, 2005**

(30) **Foreign Application Priority Data**

Dec. 16, 2004 (KR) 30-2004-0038679

(51) **LOC (8) Cl.** **28-03**

(52) **U.S. Cl.** **D28/60**

(58) **Field of Classification Search** 132/73,
132/73.5, 75, 75.4-75.6, 76.2; D28/60; 30/26-29
See application file for complete search history.

(56) **References Cited**

U.S. PATENT DOCUMENTS

6,173,497 B1 * 1/2001 Domenge 30/28
D516,249 S * 2/2006 Merheje D28/60
D516,250 S * 2/2006 Merheje D28/60
D522,177 S * 5/2006 Legras de Grandcourt .. D28/60

* cited by examiner

Primary Examiner—Jennifer Rivard

(74) *Attorney, Agent, or Firm*—Buchanan Ingersoll & Rooney PC

(57) **CLAIM**

The ornamental design for a nail clipper, as shown and described.

DESCRIPTION

FIG. 1 is a top, front perspective view of a nail clipper showing our new design.

FIG. 2 is a front elevational view thereof.

FIG. 3 is a rear elevational view thereof

FIG. 4 is a left side elevational view thereof.

FIG. 5 is a right side elevational view thereof.

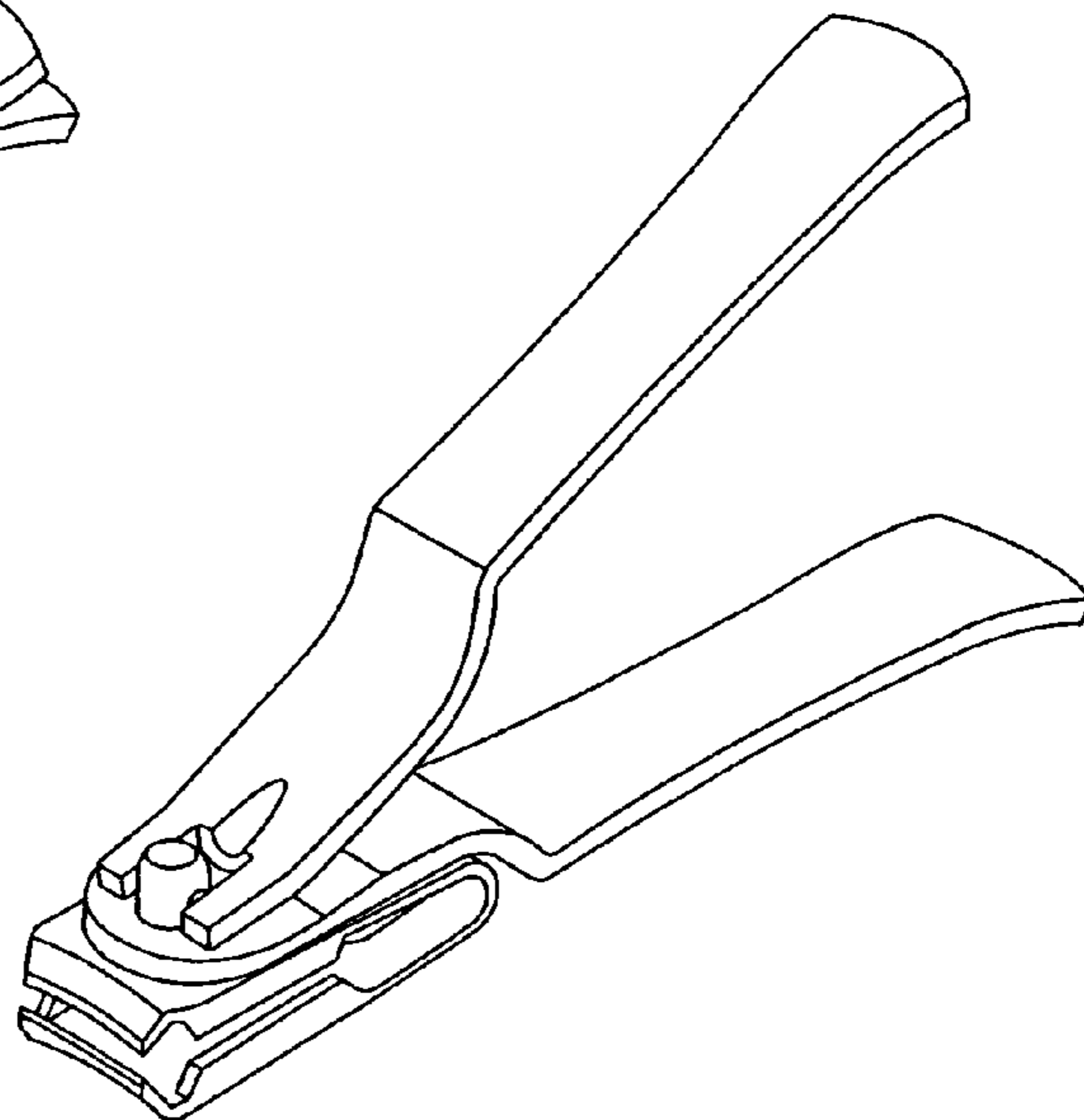
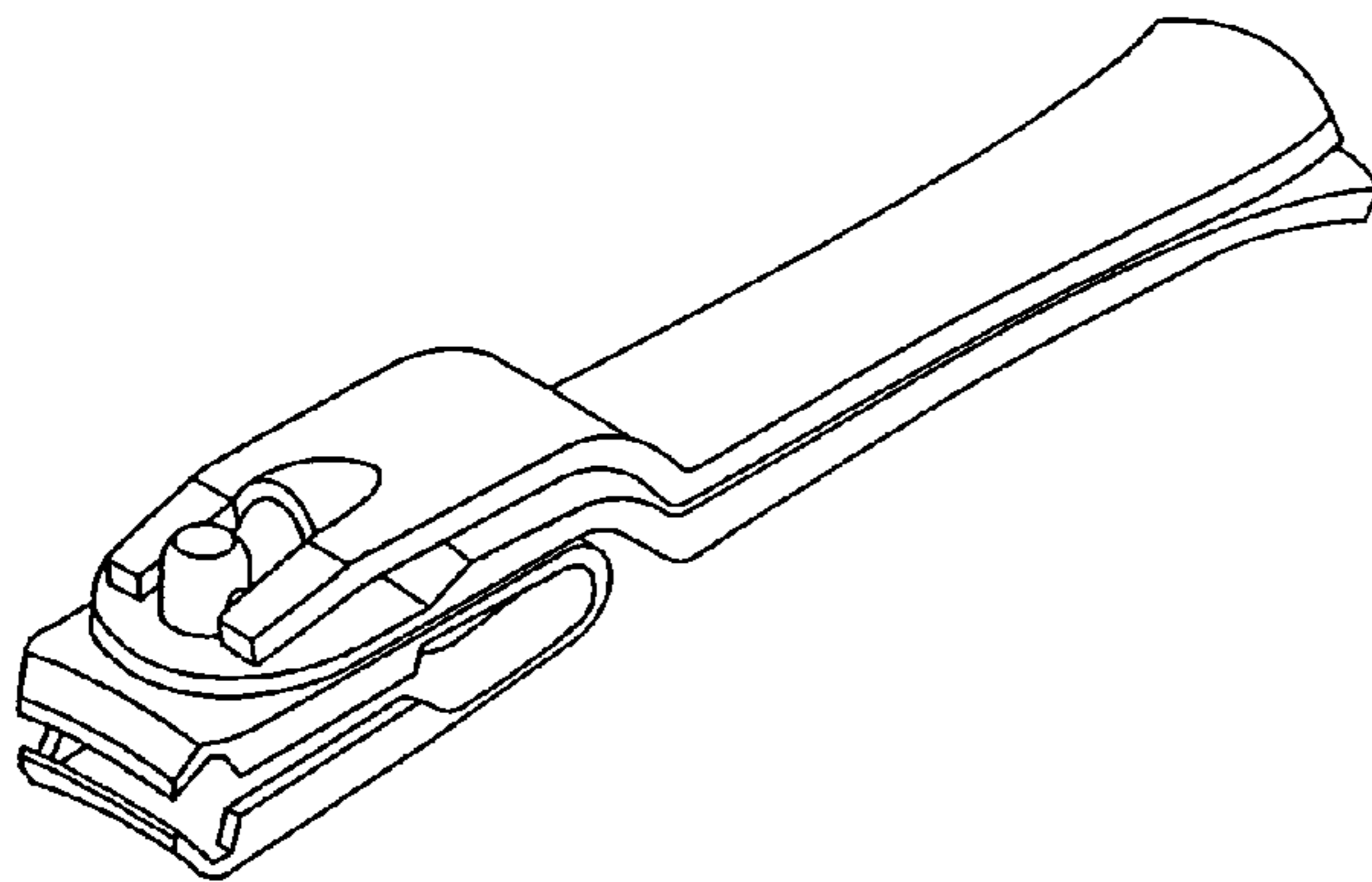
FIG. 6 is a top plan view thereof.

FIG. 7 is a bottom plan view thereof.

FIG. 8 is a top, front perspective view thereof in an open position during use; and,

FIG. 9 is a top, front perspective view thereof in a closed position during use.

1 Claim, 9 Drawing Sheets



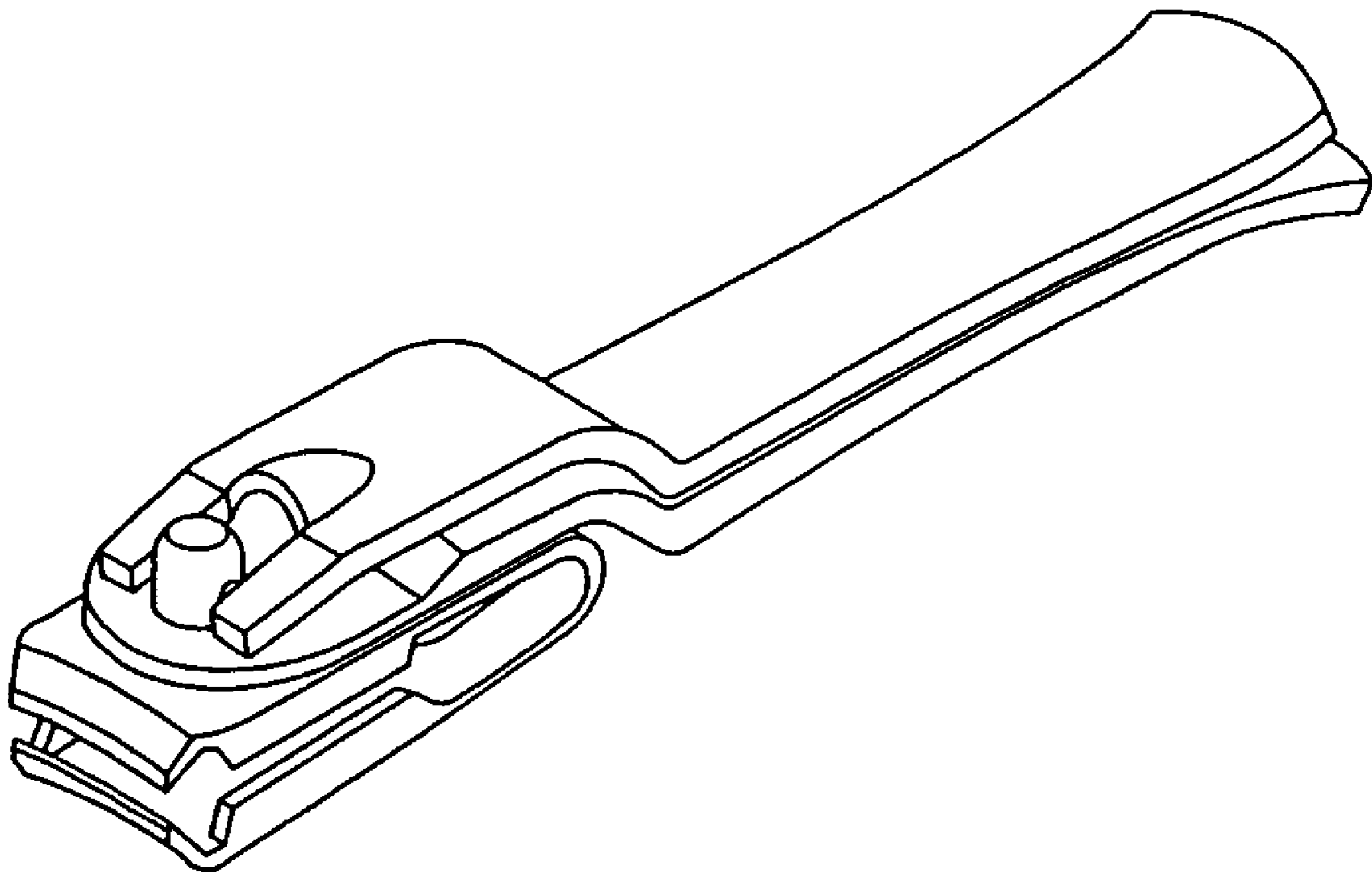


FIG. 1

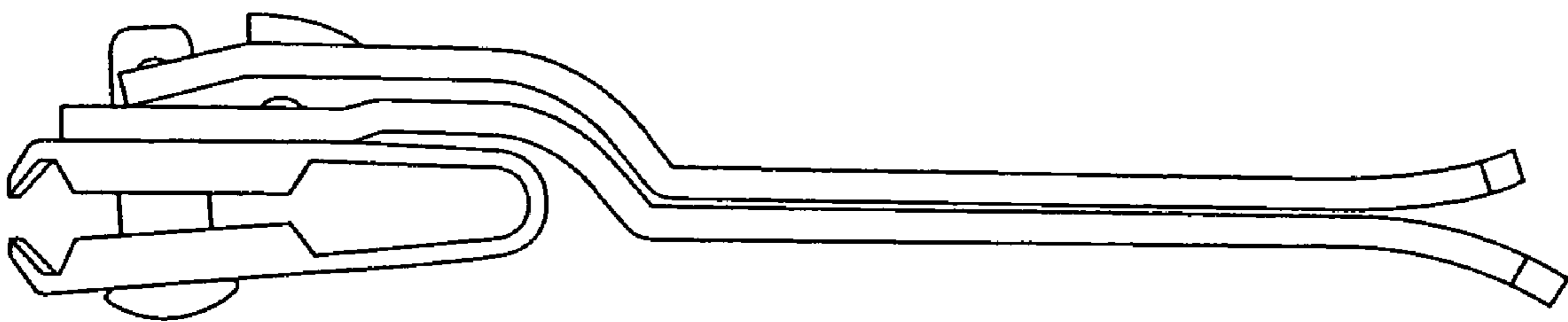


FIG. 2

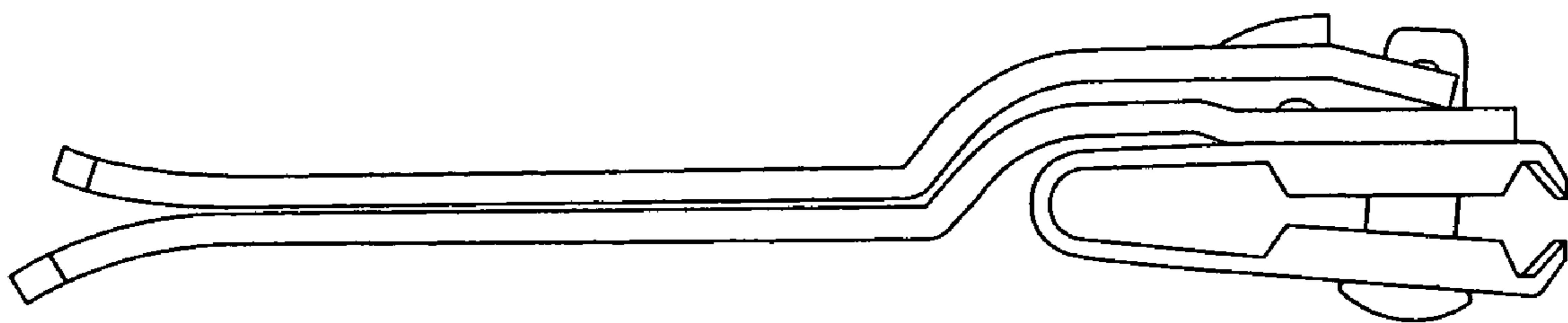


FIG. 3

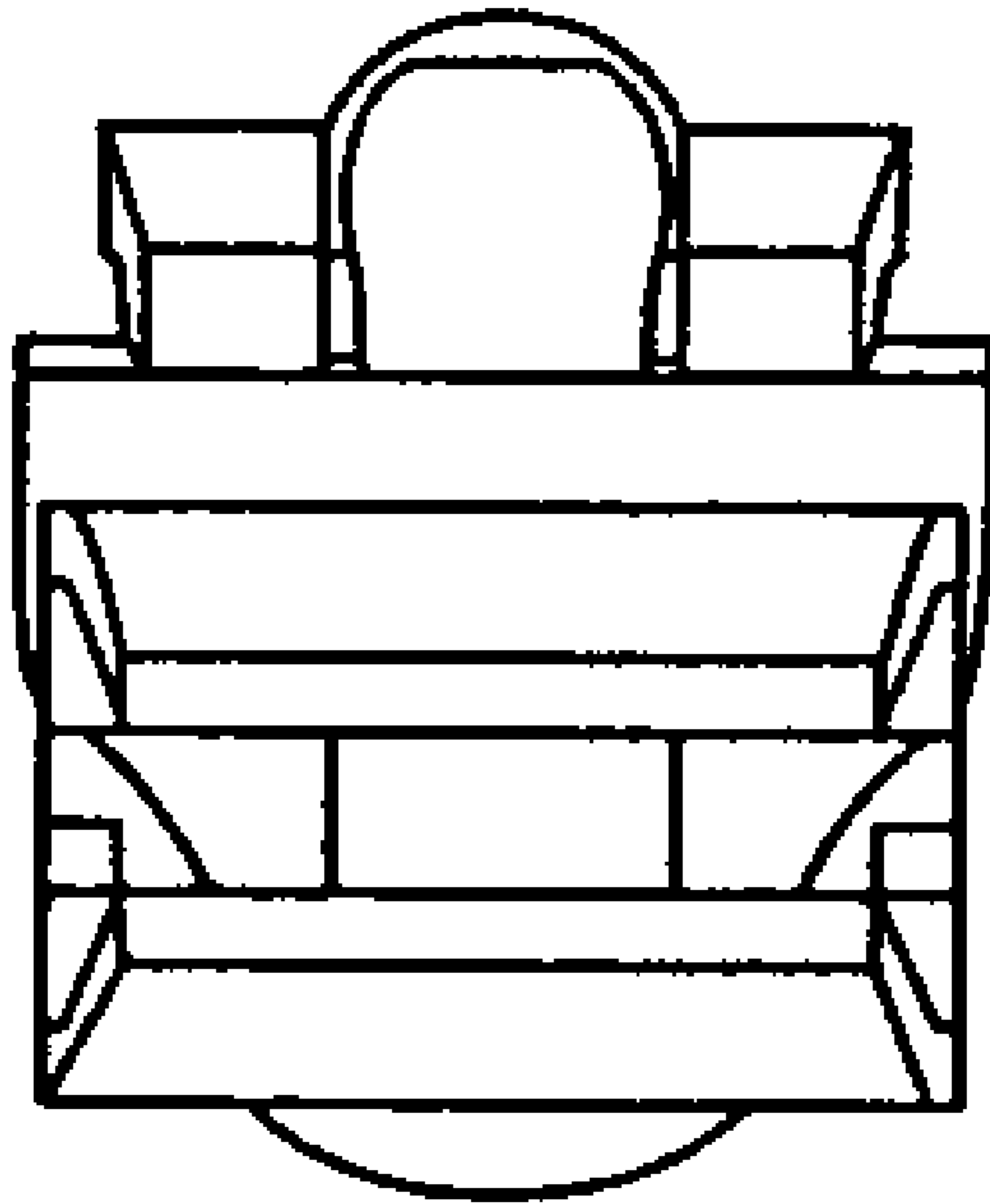


FIG. 4

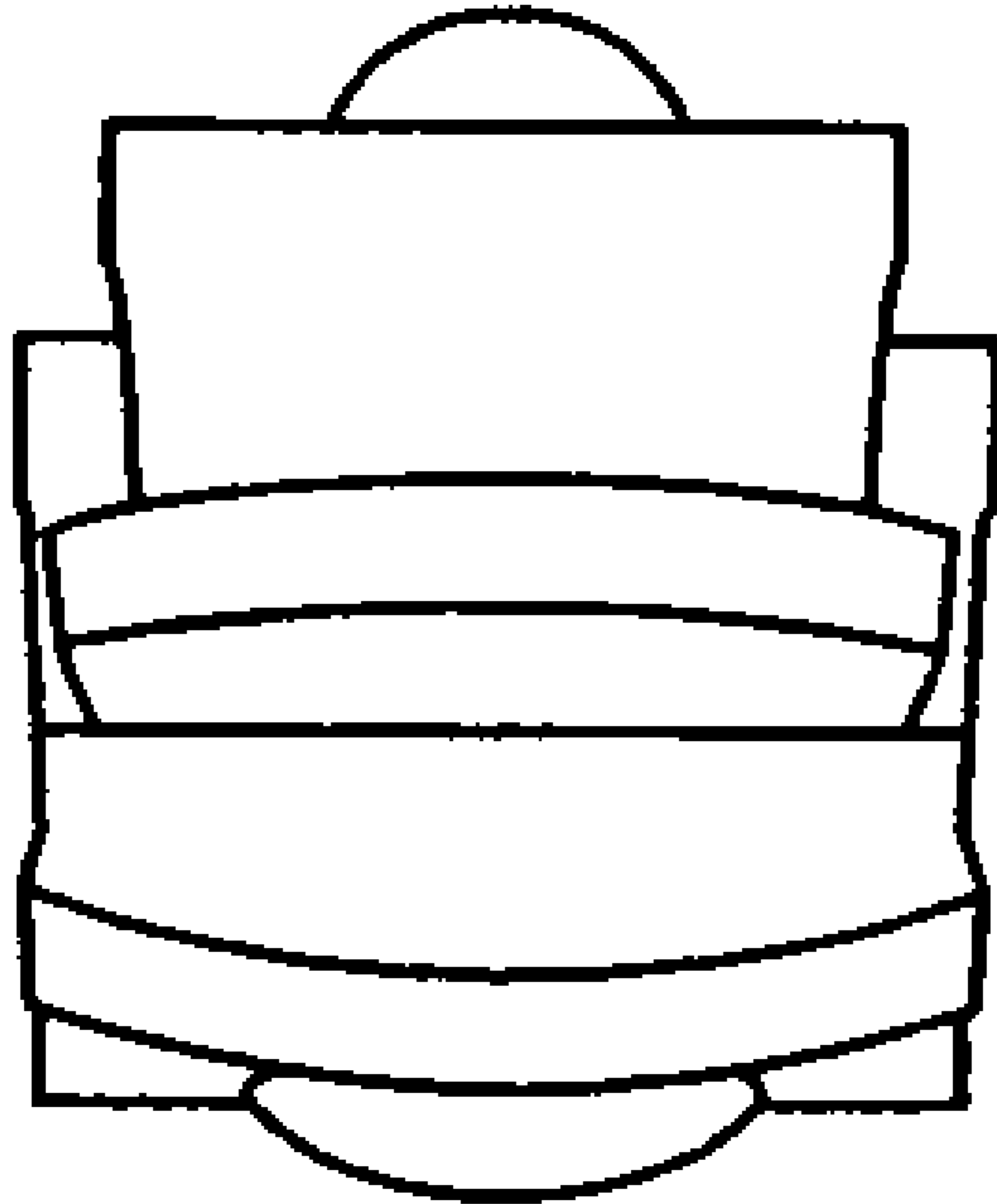


FIG. 5

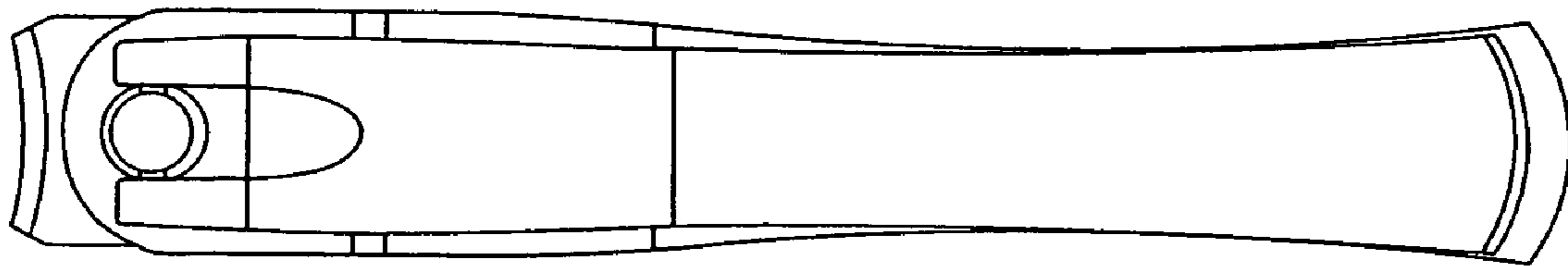


FIG. 6

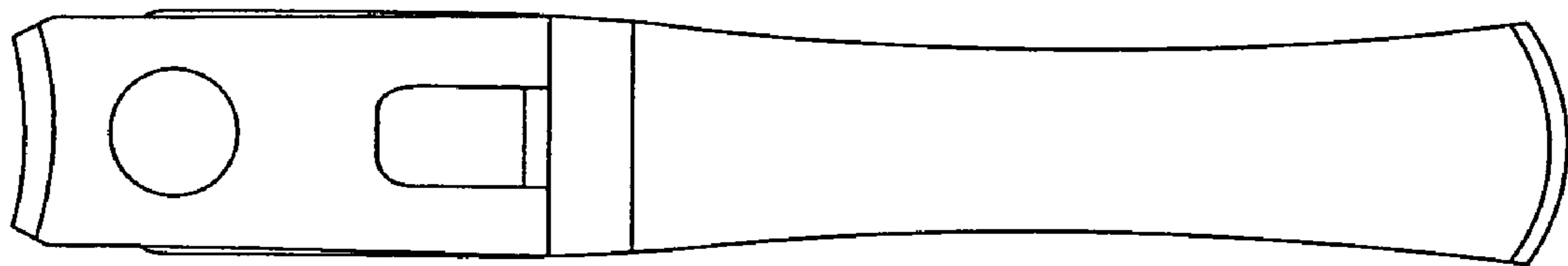


FIG. 7

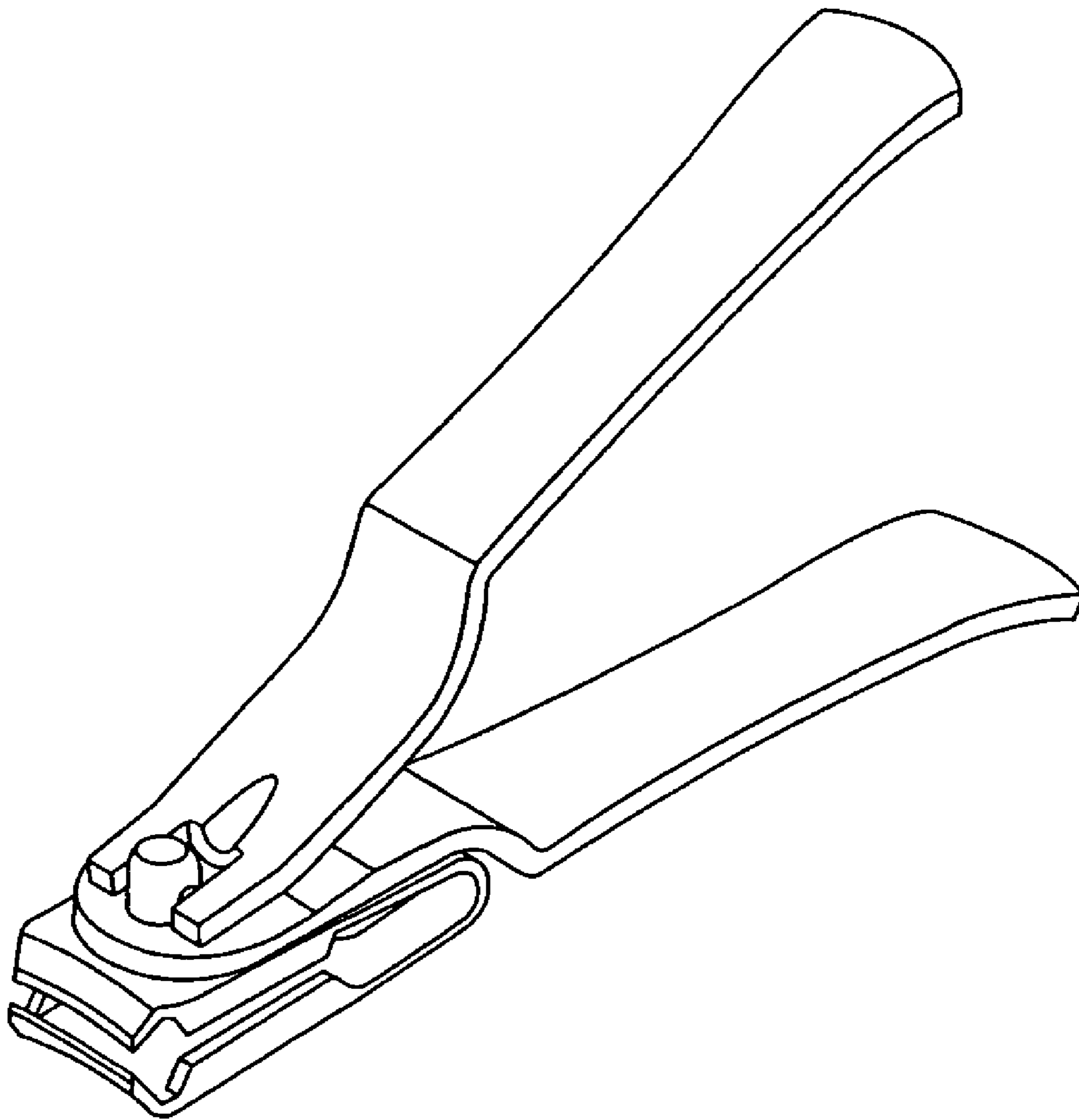


FIG. 8

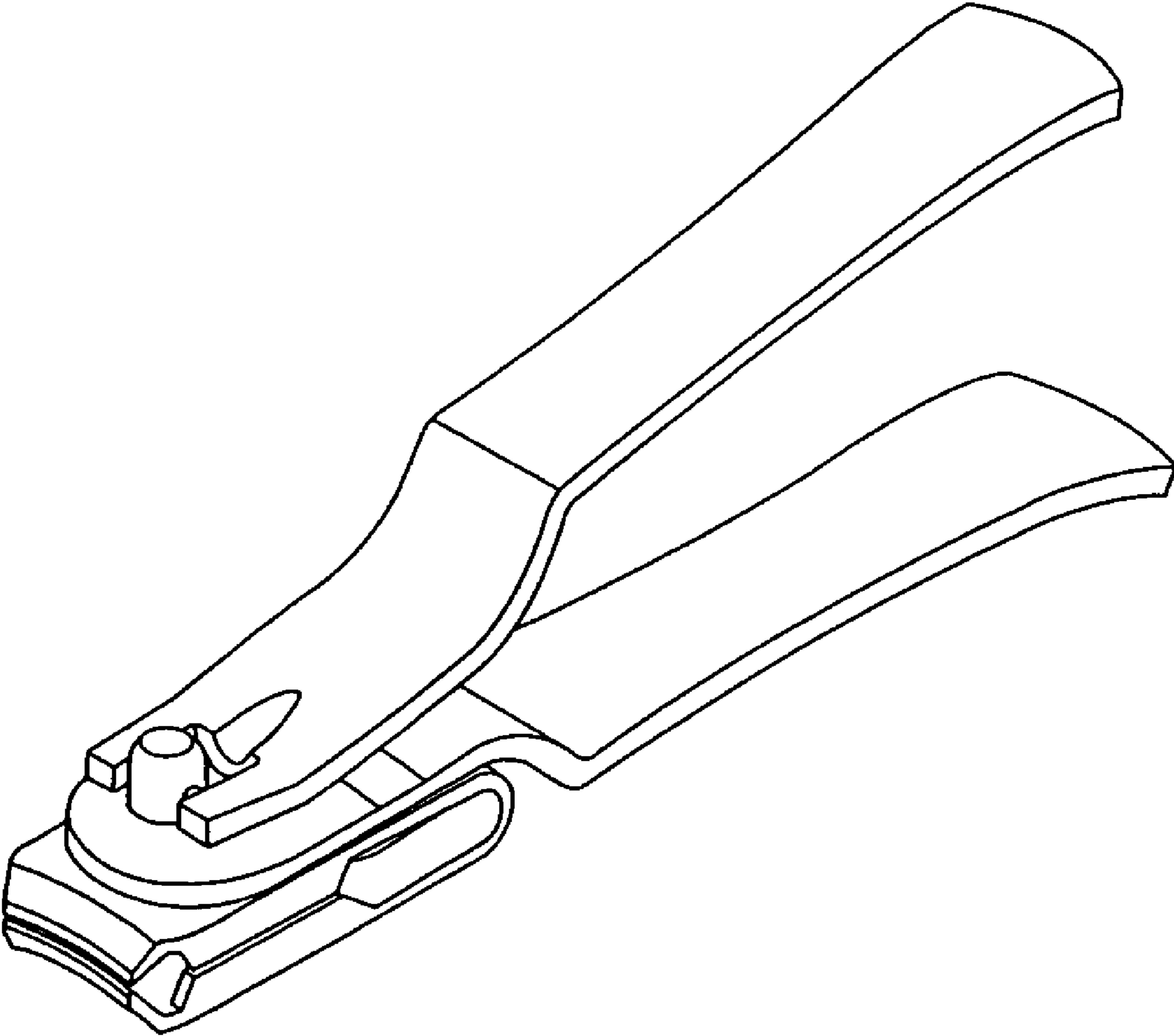


FIG. 9