



US00D547004S

(12) **United States Design Patent** (10) **Patent No.:** **US D547,004 S**
Davis et al. (45) **Date of Patent:** **** Jul. 17, 2007**

(54) **HAIR TREATMENT APPLICATOR**
(75) Inventors: **William John Davis**, Bath (GB); **John David Lamb**, Pewsey (GB); **John Edward Sheppard**, Wokinghom (GB)
(73) Assignee: **The Procter & Gamble Company**, Cincinnati, OH (US)
(**) Term: **14 Years**

D314,840 S * 2/1991 Graley D28/25
D333,882 S * 3/1993 Yazaki D28/7
D369,883 S * 5/1996 Romano et al. D28/7
D378,705 S * 4/1997 Izumi D28/53
D401,380 S * 11/1998 Steen et al. D28/7
5,845,651 A * 12/1998 de Nervo 132/114
D428,525 S * 7/2000 Gazzo D28/7
D450,884 S * 11/2001 Yoshida D28/20
D461,280 S * 8/2002 Swaner et al. D28/20
D471,319 S * 3/2003 Kim et al. D28/21

* cited by examiner

(21) Appl. No.: **29/255,892**
(22) Filed: **Mar. 13, 2006**

Primary Examiner—Nanda Bondade
Assistant Examiner—Shanda C. Hill
(74) *Attorney, Agent, or Firm*—Michael J. Sambrook; Marianne Bressman; Tara M. Rosnell

Related U.S. Application Data

(62) Division of application No. 29/227,737, filed on Apr. 12, 2005.
(51) **LOC (8) Cl.** **28-03**
(52) **U.S. Cl.** **D28/20**
(58) **Field of Classification Search** D9/434-436, D9/715-718, 723-729; D28/4-10, 20, 21, D28/25, 28, 52-54; 132/112-114, 212; 206/379-383; D4/114, 116, 136, 199; D32/33, 35
See application file for complete search history.

(57) **CLAIM**

The ornamental design for a hair treatment applicator, as shown and described.

DESCRIPTION

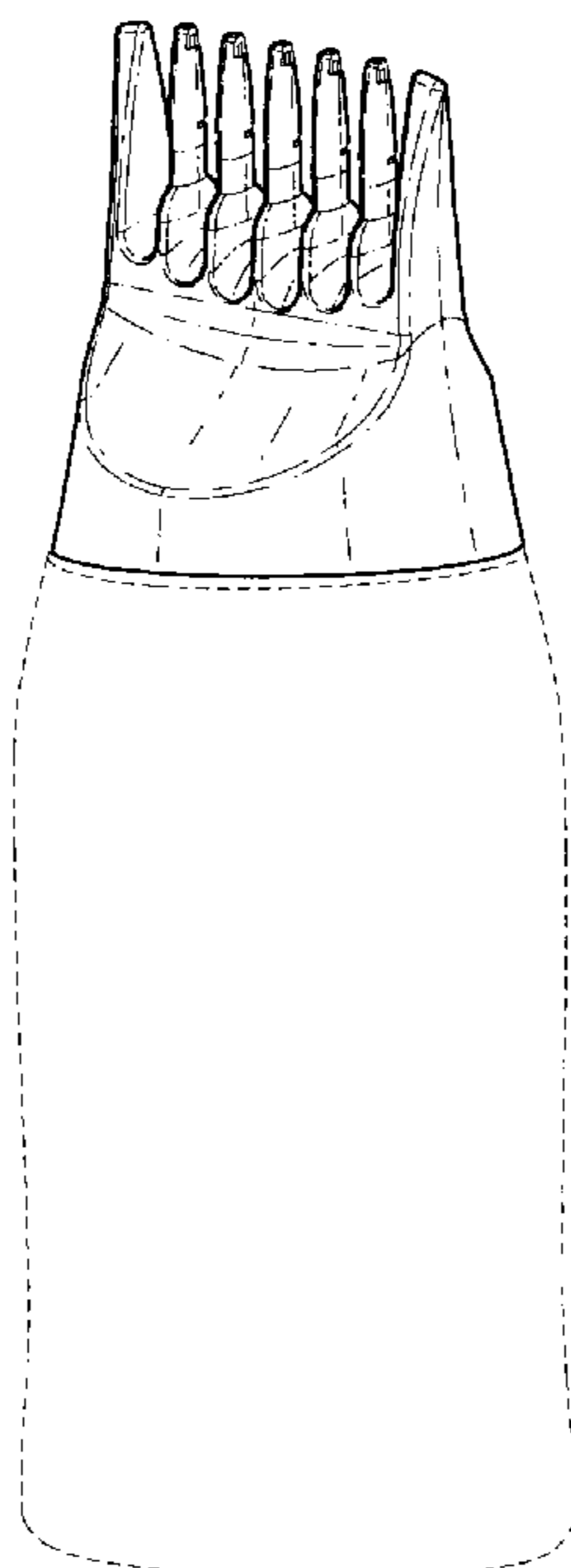
FIG. 1 is a perspective view of a hair treatment applicator, embodying our new design;
FIG. 2 is a side view thereof;
FIG. 3 is a top view thereof; and,
FIG. 4 is a front view thereof.
The broken lines shown in the drawing disclosure are for illustrative purposes only and form no part of the claimed design.

(56) **References Cited**

U.S. PATENT DOCUMENTS

D28,421 S * 3/1898 Redman D28/54
3,477,447 A * 11/1969 Eldredge 132/212
D286,454 S * 10/1986 Stephens D28/54

1 Claim, 1 Drawing Sheet



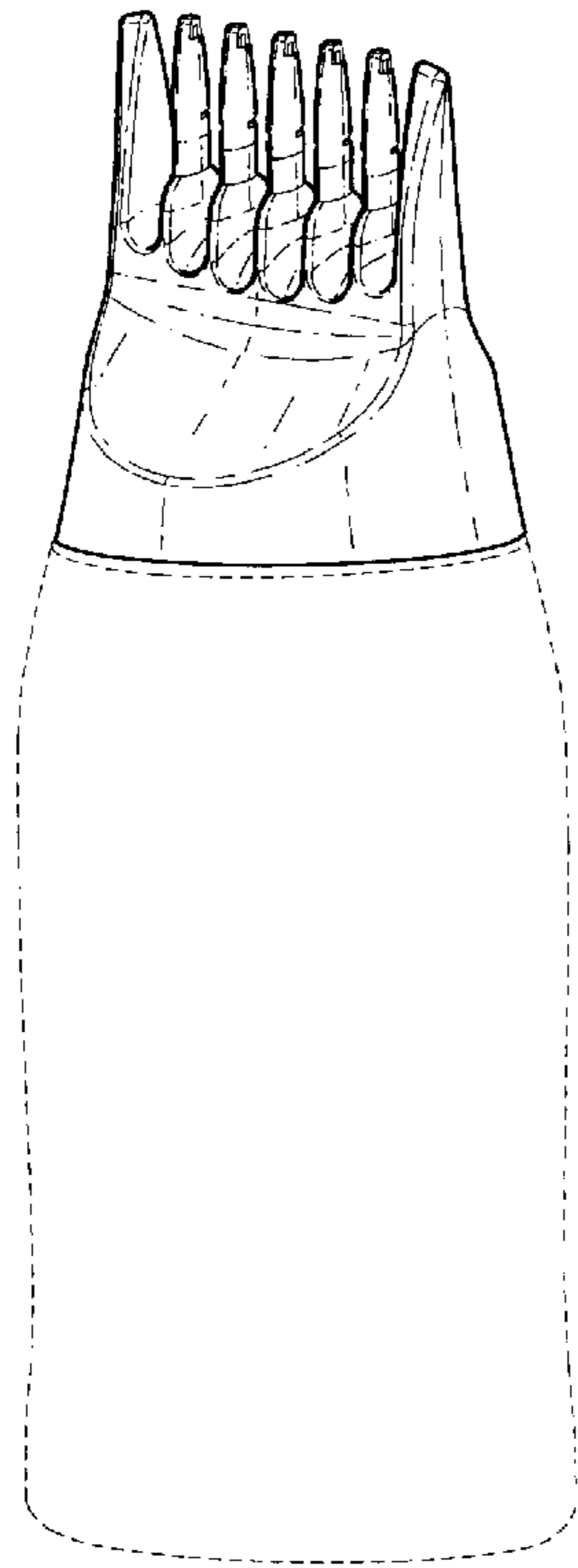


Fig. 1

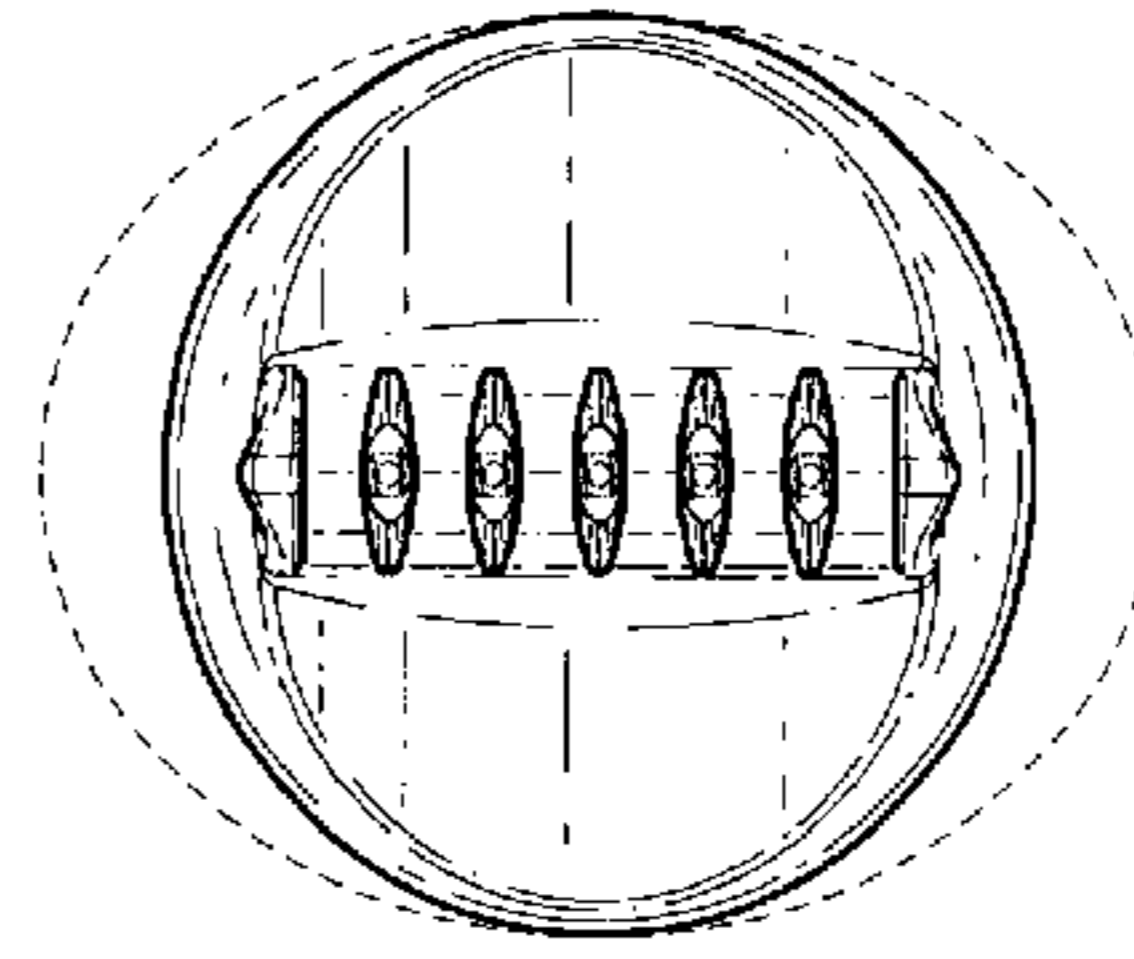


Fig. 3

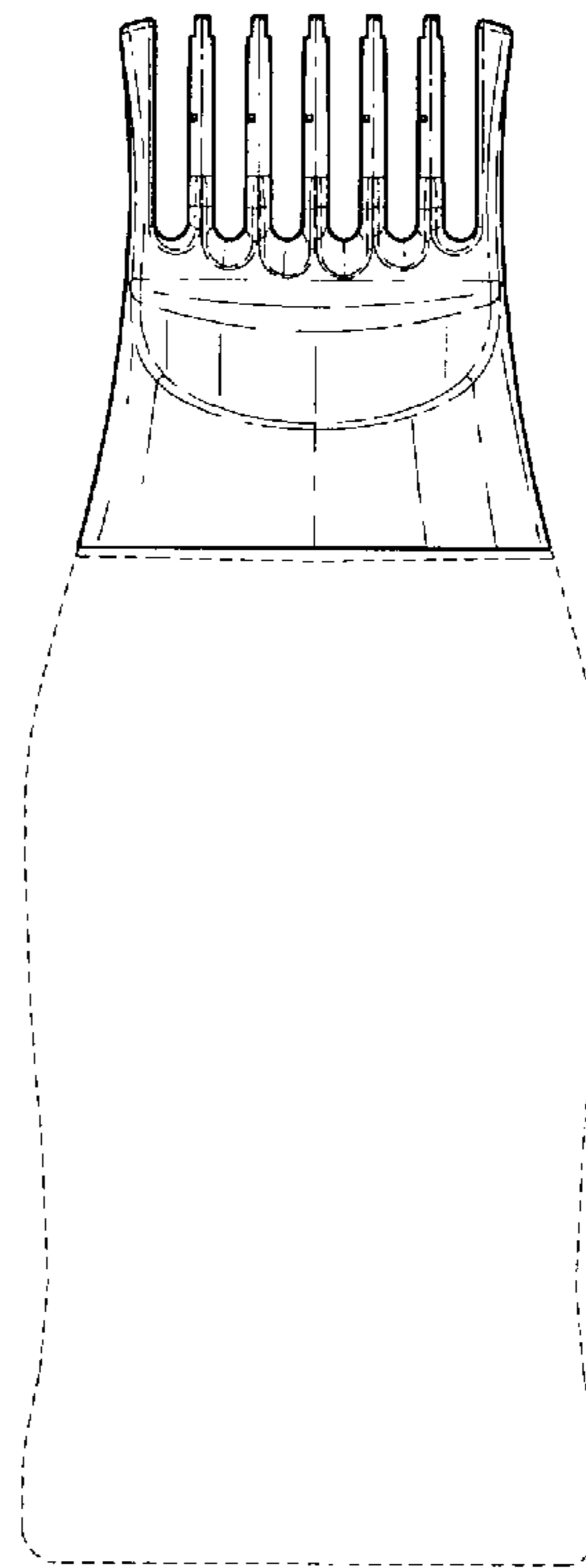


Fig. 4

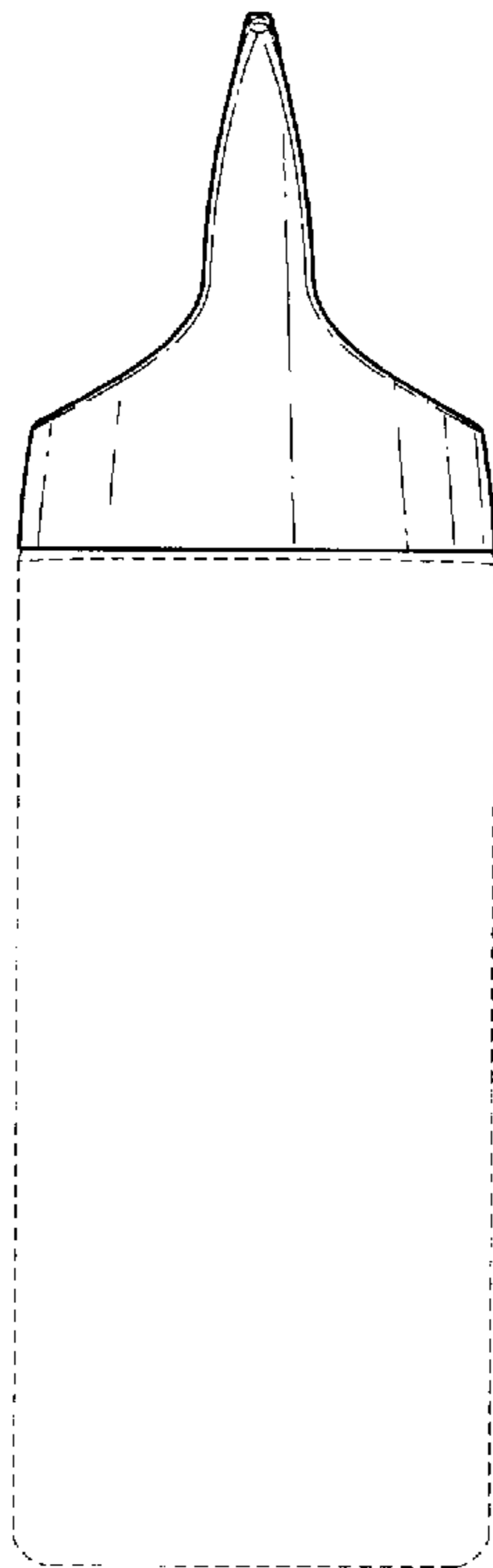


Fig. 2