

US00D546998S

(12) **United States Design Patent**
Nunes

(10) **Patent No.:** **US D546,998 S**
(45) **Date of Patent:** **** Jul. 17, 2007**

(54) **FOOTBALL HELMET-SIMULATING WALL
SCONCE**

D448,513 S 9/2001 Sehl
D488,883 S 4/2004 Davis
6,726,580 B2 4/2004 Peterson

(75) Inventor: **Brendon Nunes**, Ajax (CA)

(73) Assignee: **Trintec Industries, Inc.**, Ajax, Ontario
(CA)

(**) Term: **14 Years**

(21) Appl. No.: **29/255,684**

(22) Filed: **Mar. 13, 2006**

(51) **LOC (8) Cl.** **26-05**

(52) **U.S. Cl.** **D26/73; D26/92**

(58) **Field of Classification Search** D26/4,
D26/26, 57, 73, 94, 97, 101, 92, 87; 362/147,
362/644, 653, 806, 812

See application file for complete search history.

(56) **References Cited**

U.S. PATENT DOCUMENTS

D209,219 S *	11/1967	Goldstein et al.	D99/37
D246,934 S *	1/1978	Keller	D26/73
D257,888 S *	1/1981	Perich	D26/26
D289,694 S *	5/1987	Pickett, Jr.	D26/51
D311,594 S *	10/1990	Medina	D26/47
D321,845 S *	11/1991	Nys	D11/157
D370,547 S *	6/1996	Moss	D26/94
D373,628 S	9/1996	DiSandro		
D375,810 S *	11/1996	Ham	D26/26
D379,222 S *	5/1997	Kuo	D23/411
D441,904 S *	5/2001	Westphal	D26/94

OTHER PUBLICATIONS

NL-FOOHE Football Helmet Neon Sign; www.lightupshop.com.
NL-FOOSI & NL-HOCSI Neon Signs; www.lightupshop.com.
Miscellaneous wall sconce photos, SGL433215 & KIC6521TZ;
www.lightingshowplace.com.

* cited by examiner

Primary Examiner—Clare E Heflin

(57) **CLAIM**

The ornamental design for a football helmet-simulating wall sconce, as shown and described.

DESCRIPTION

FIG. 1 is a top-side perspective view of a football helmet-simulating wall sconce showing my new design;

FIG. 2 is a rear elevational view;

FIG. 3 is a right side elevational view thereof, the opposite side being plain and unornamented;

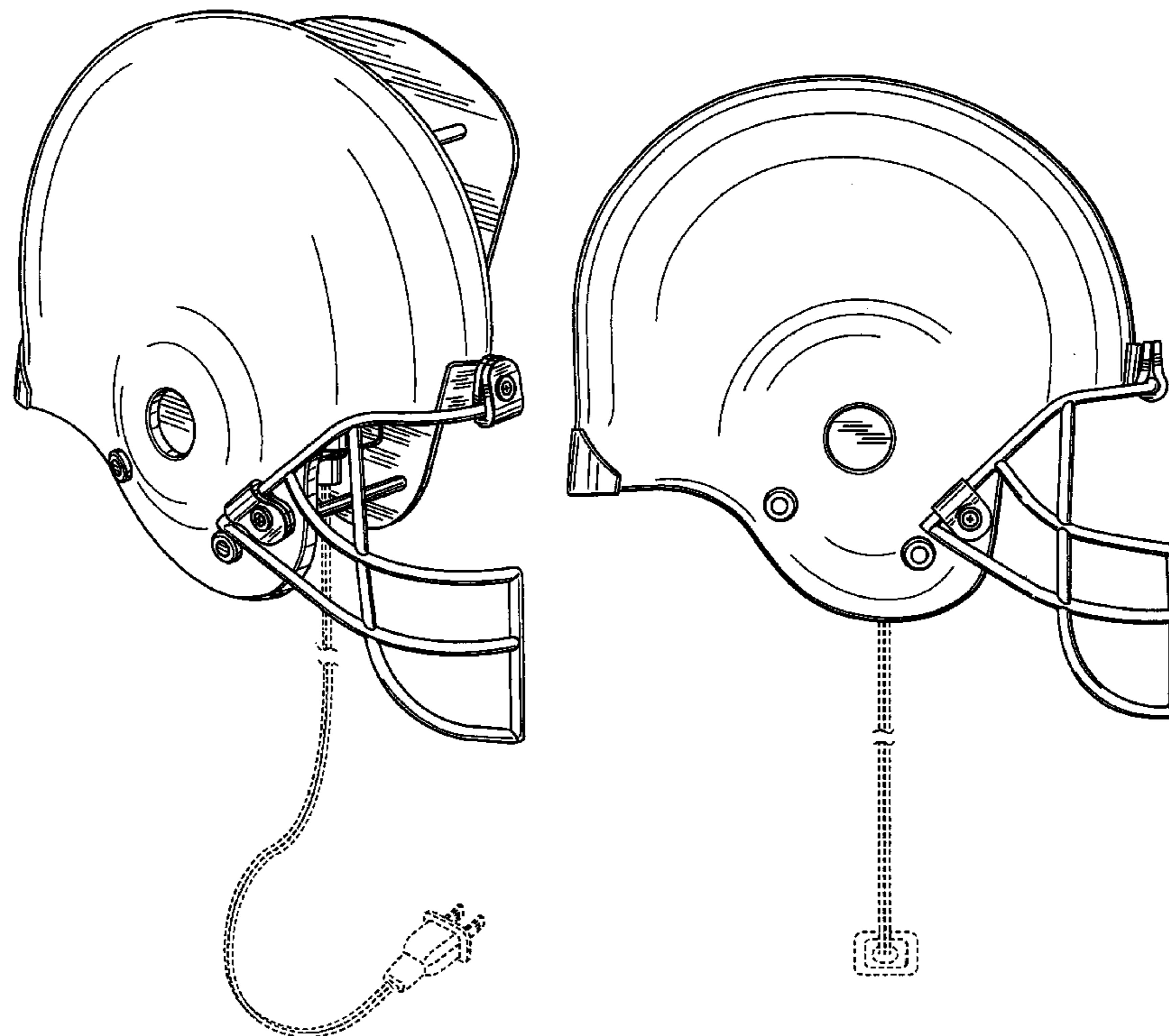
FIG. 4 is a front elevational view thereof;

FIG. 5 is a top plan view thereof; and,

FIG. 6 is a bottom plan view.

The portions of the drawings provided by broken line are intended to reflect environment, and do not form a part of the indicated embodiment of my design.

1 Claim, 4 Drawing Sheets



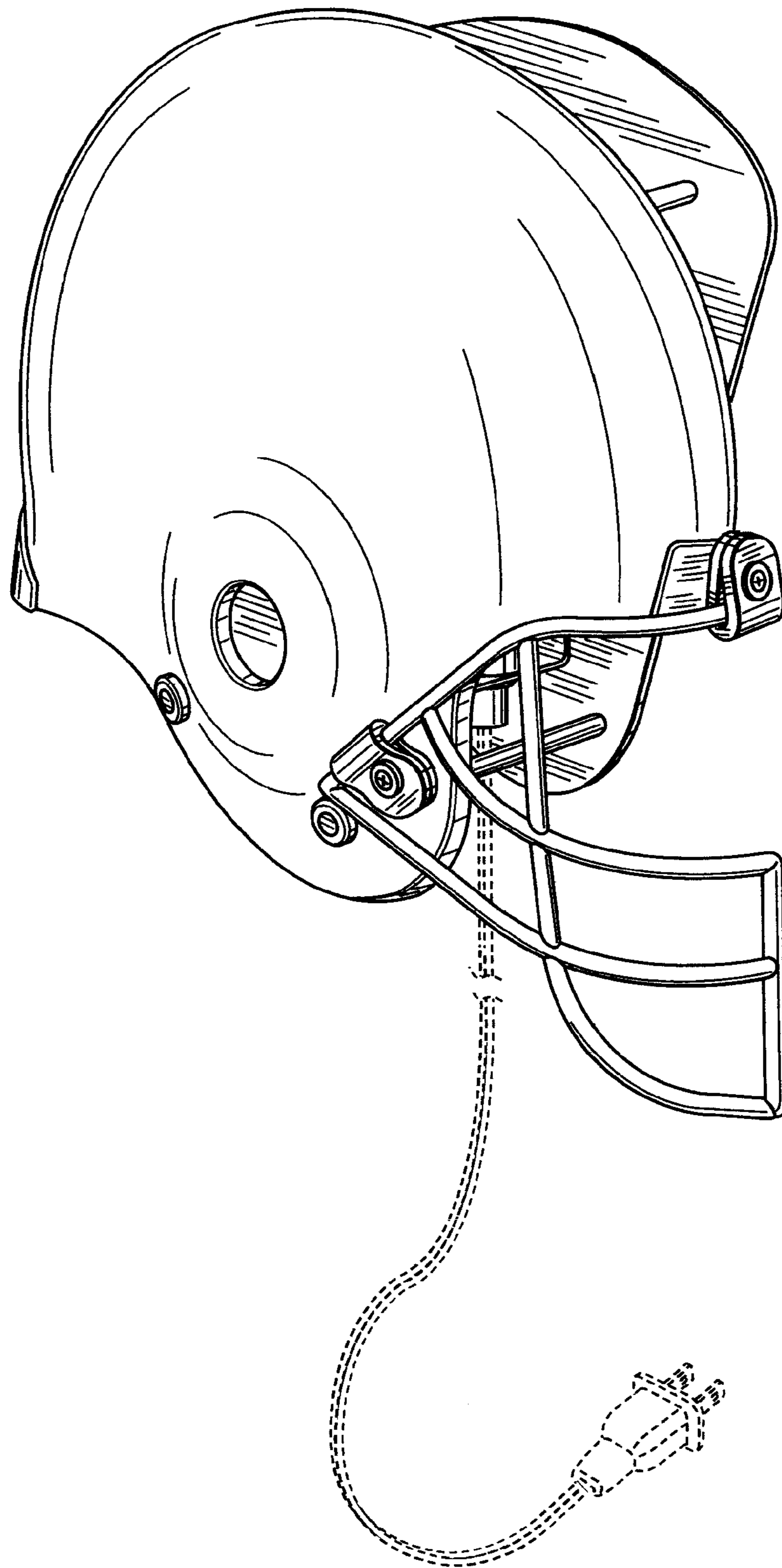


FIG. 1

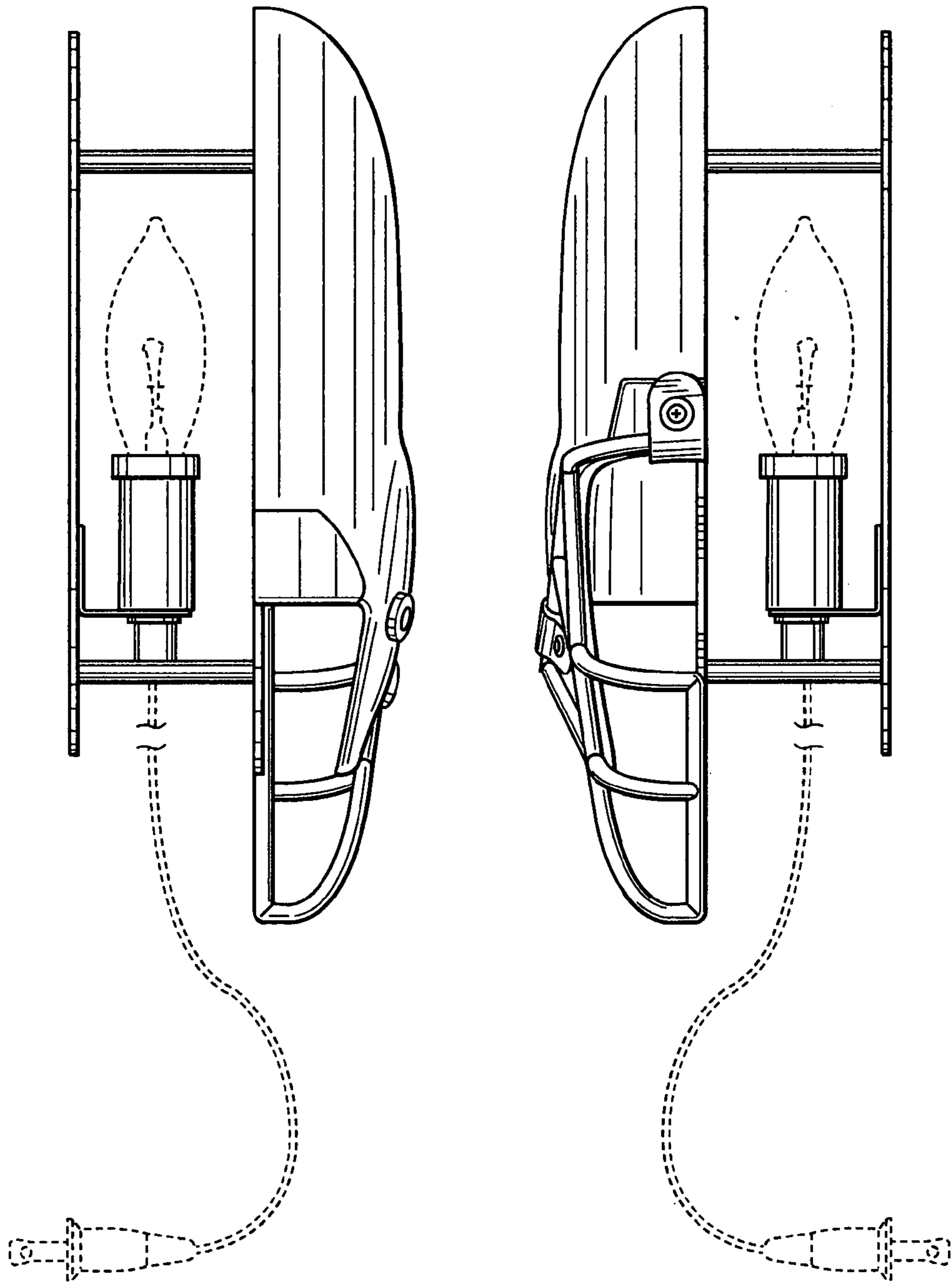


FIG. 2

FIG. 4

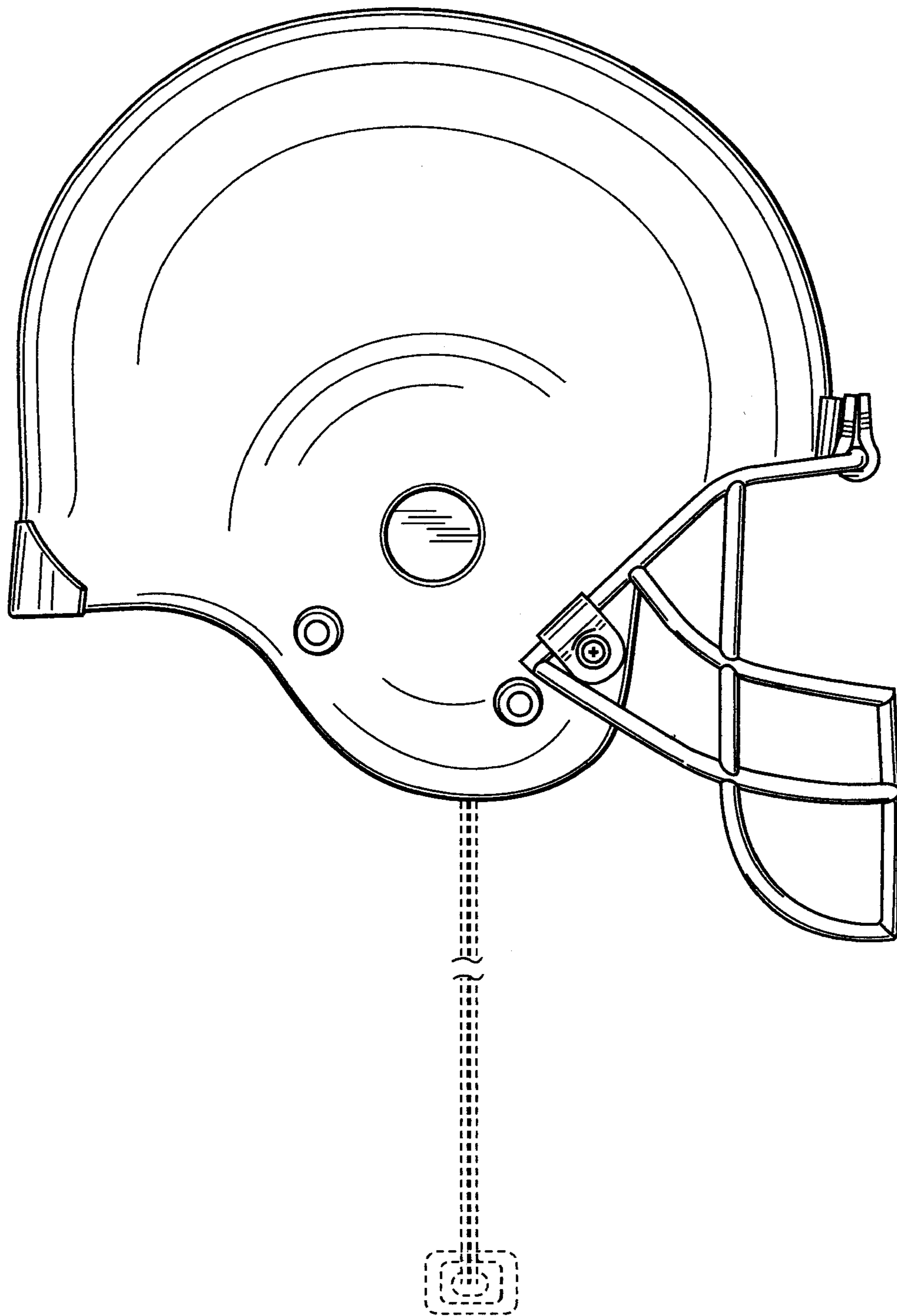


FIG. 3

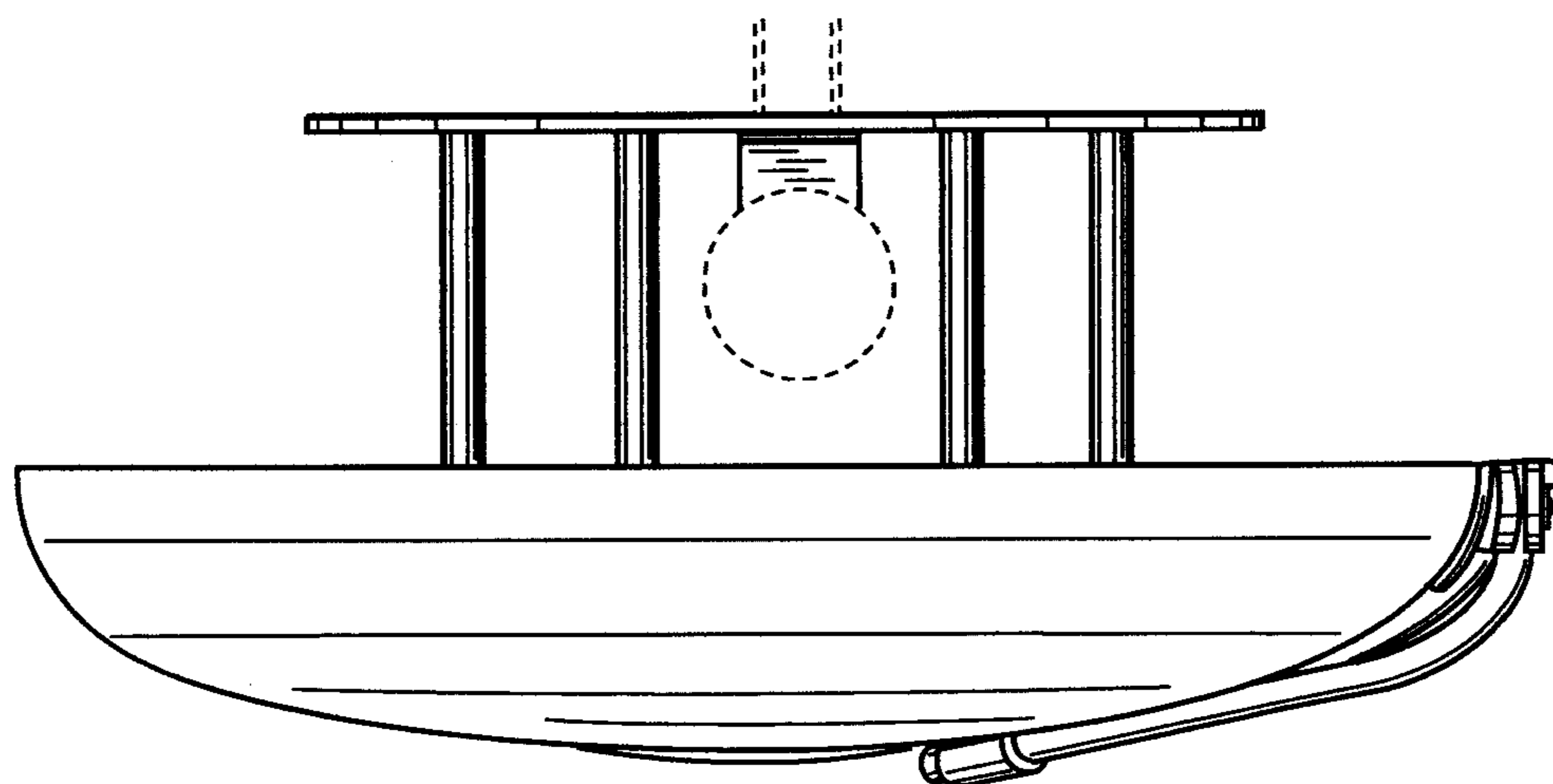


FIG. 5

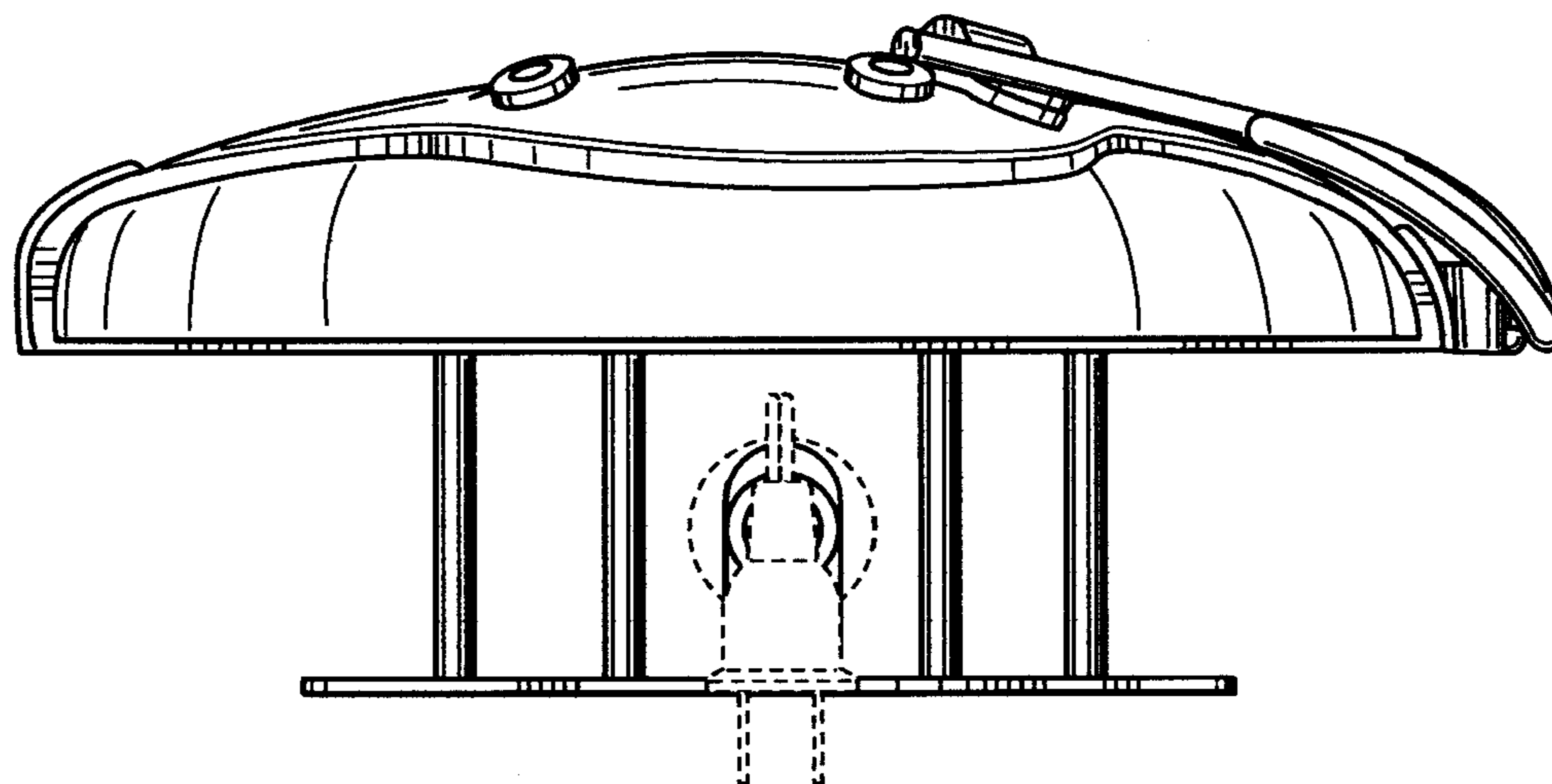


FIG. 6